



US00D421809S

# United States Patent [19] Roberts

[11] **Patent Number: Des. 421,809**

[45] **Date of Patent: \*\* Mar. 21, 2000**

[54] **FOCUSED XENON LAMP**

5,561,338 10/1996 Roberts et al. .... 313/46  
5,721,465 2/1998 Roberts ..... 313/46  
5,789,863 8/1998 Takahashi et al. .... D26/113 X

[75] Inventor: **Roy D. Roberts**, Hayward, Calif.

[73] Assignee: **ILC Technology, Inc.**, Sunnyvale, Calif.

[\*\*] Term: **14 Years**

*Primary Examiner*—Susan J. Lucas  
*Attorney, Agent, or Firm*—Thomas E. Schatzel; Law Offices of Thomas E. Schatzel, A Prof. Corp.

[21] Appl. No.: **29/098,246**

[22] Filed: **Dec. 22, 1998**

[57] **CLAIM**

The ornamental design for a focused xenon lamp, as shown and described.

[51] **LOC (6) Cl.** ..... **26-05**

[52] **U.S. Cl.** ..... **D26/24**

[58] **Field of Search** ..... D26/24, 60, 61,  
D26/63, 65; 362/264, 362; 313/46, 39,  
113, 246, 570, 110, 634

**DESCRIPTION**

FIG. 1 is a top, front and left side perspective view of a focused xenon lamp;

FIG. 2 is a left-side elevational view thereof, the right side being a mirror image;

FIG. 3 is a front elevational view thereof;

FIG. 4 is a top plan view thereof; and,

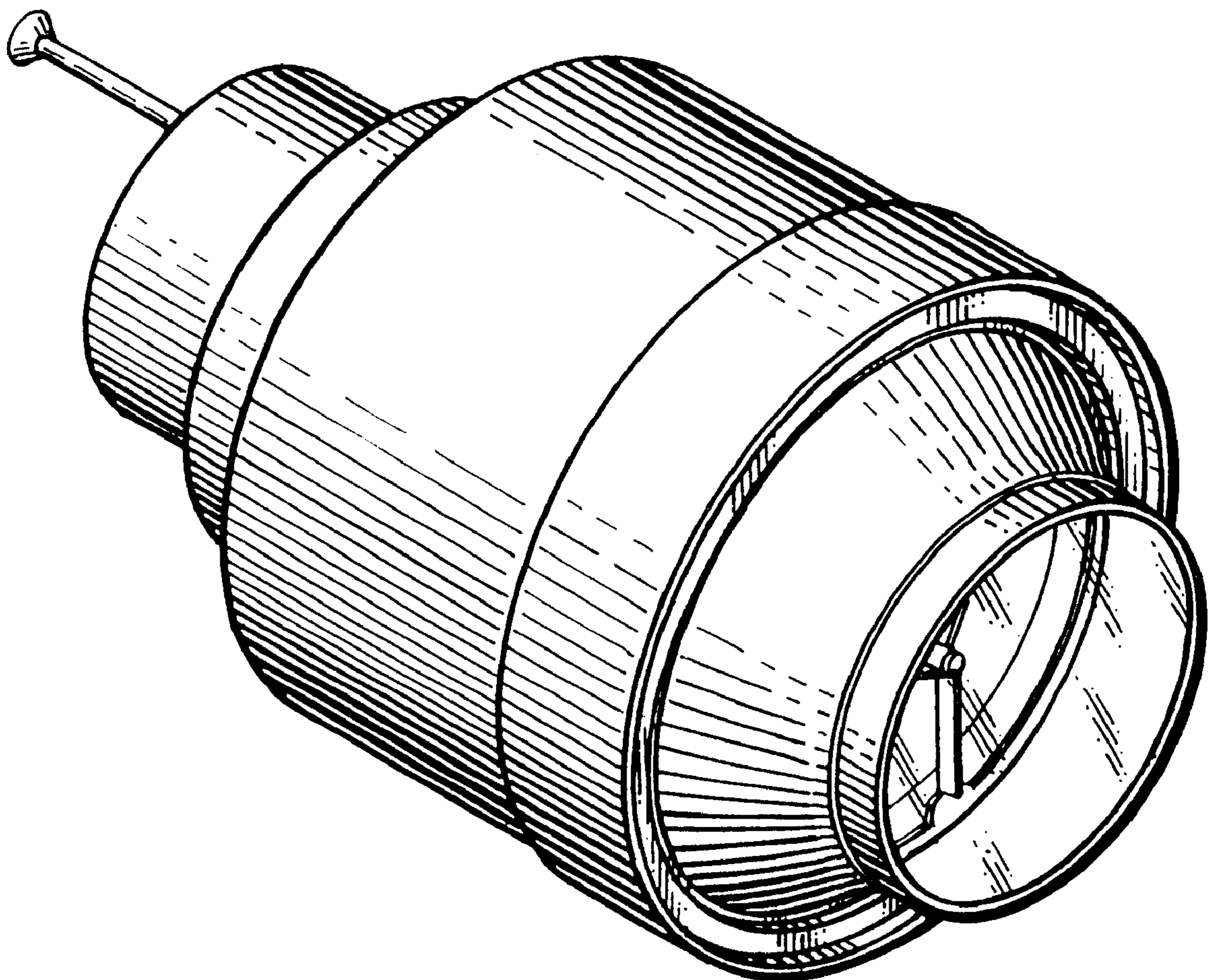
FIG. 5 is a rear elevational view thereof.

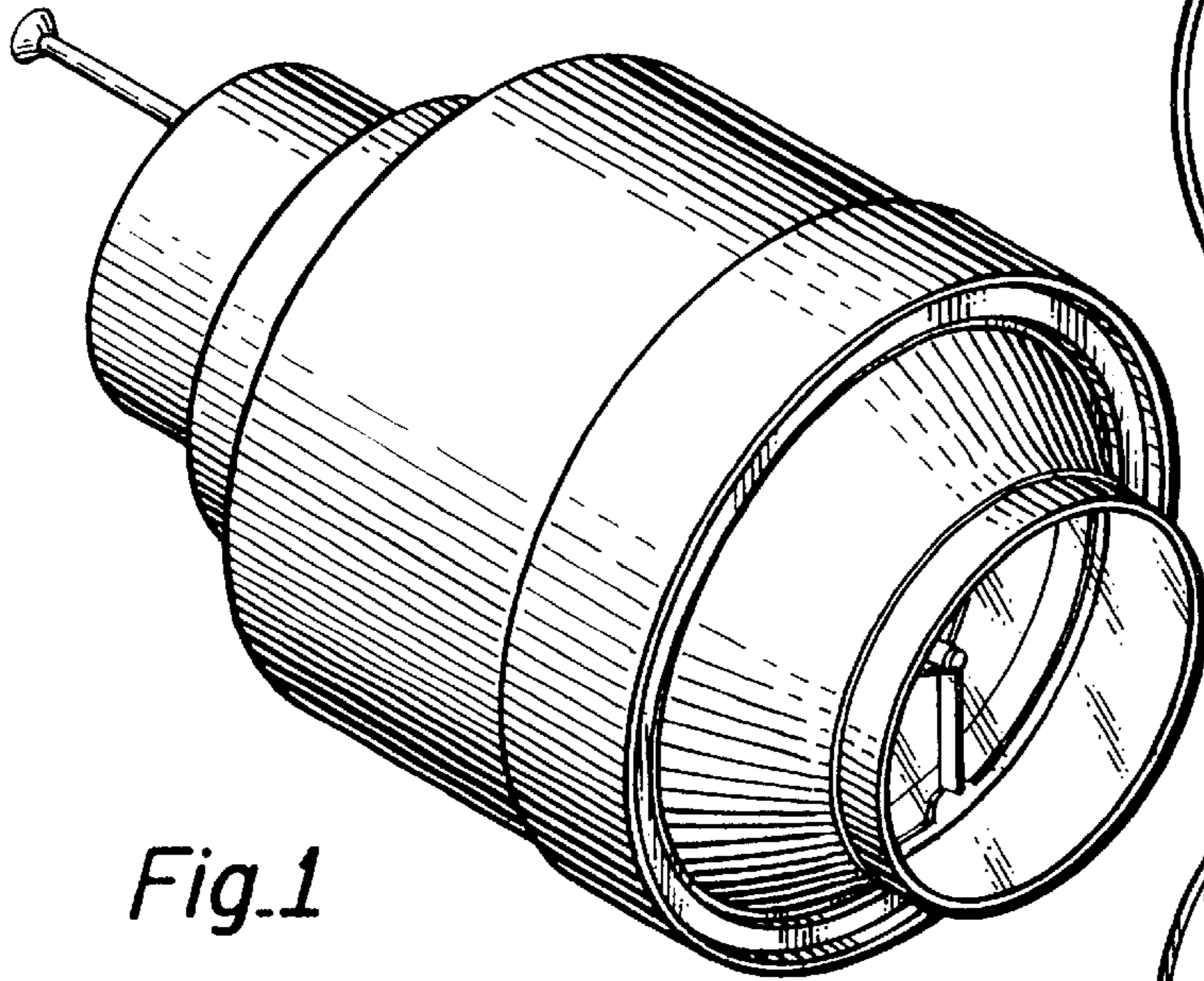
[56] **References Cited**

**U.S. PATENT DOCUMENTS**

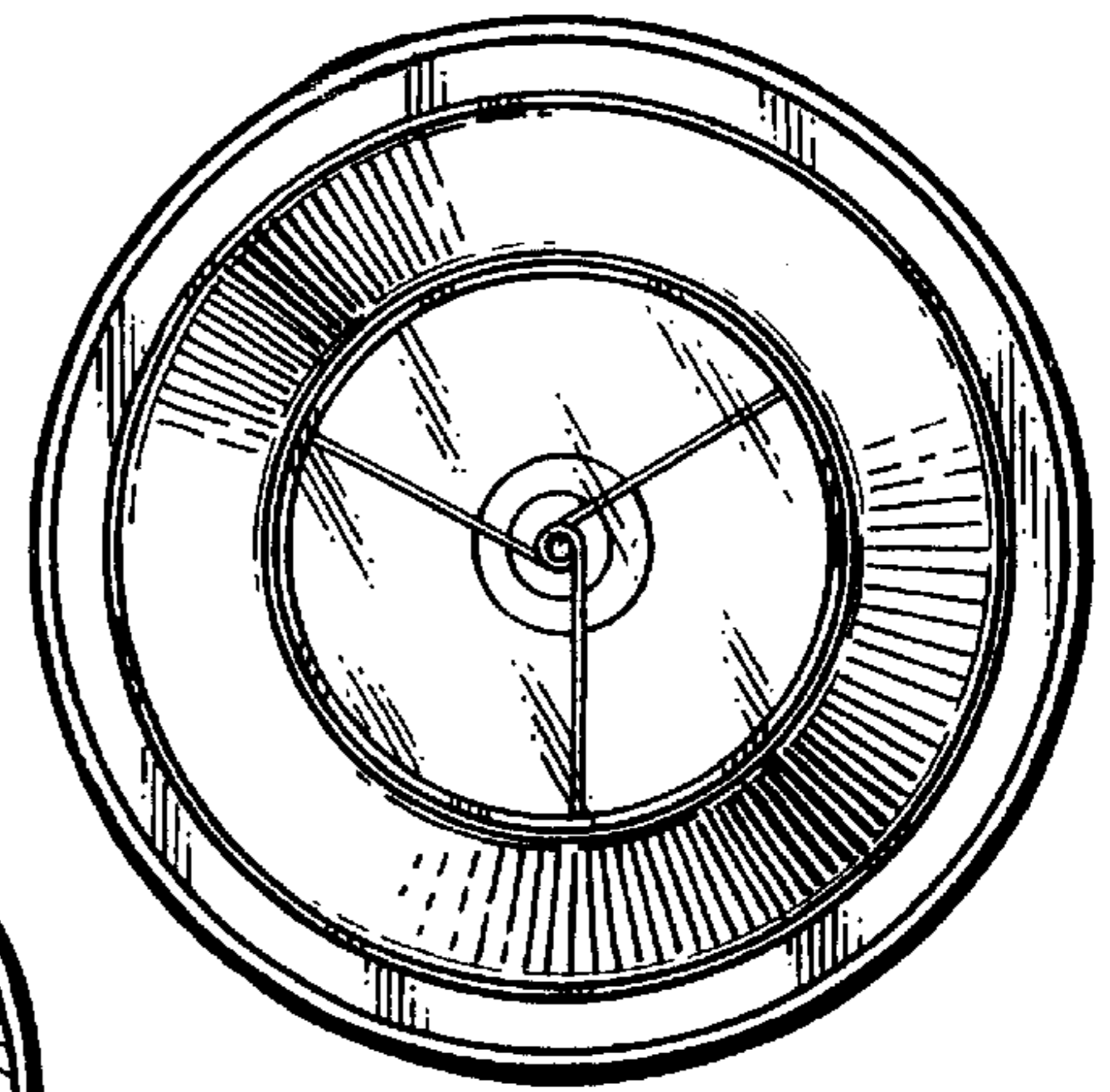
D. 377,104 12/1996 Roberts ..... D26/24  
D. 377,224 1/1997 Roberts ..... D26/24

**1 Claim, 1 Drawing Sheet**

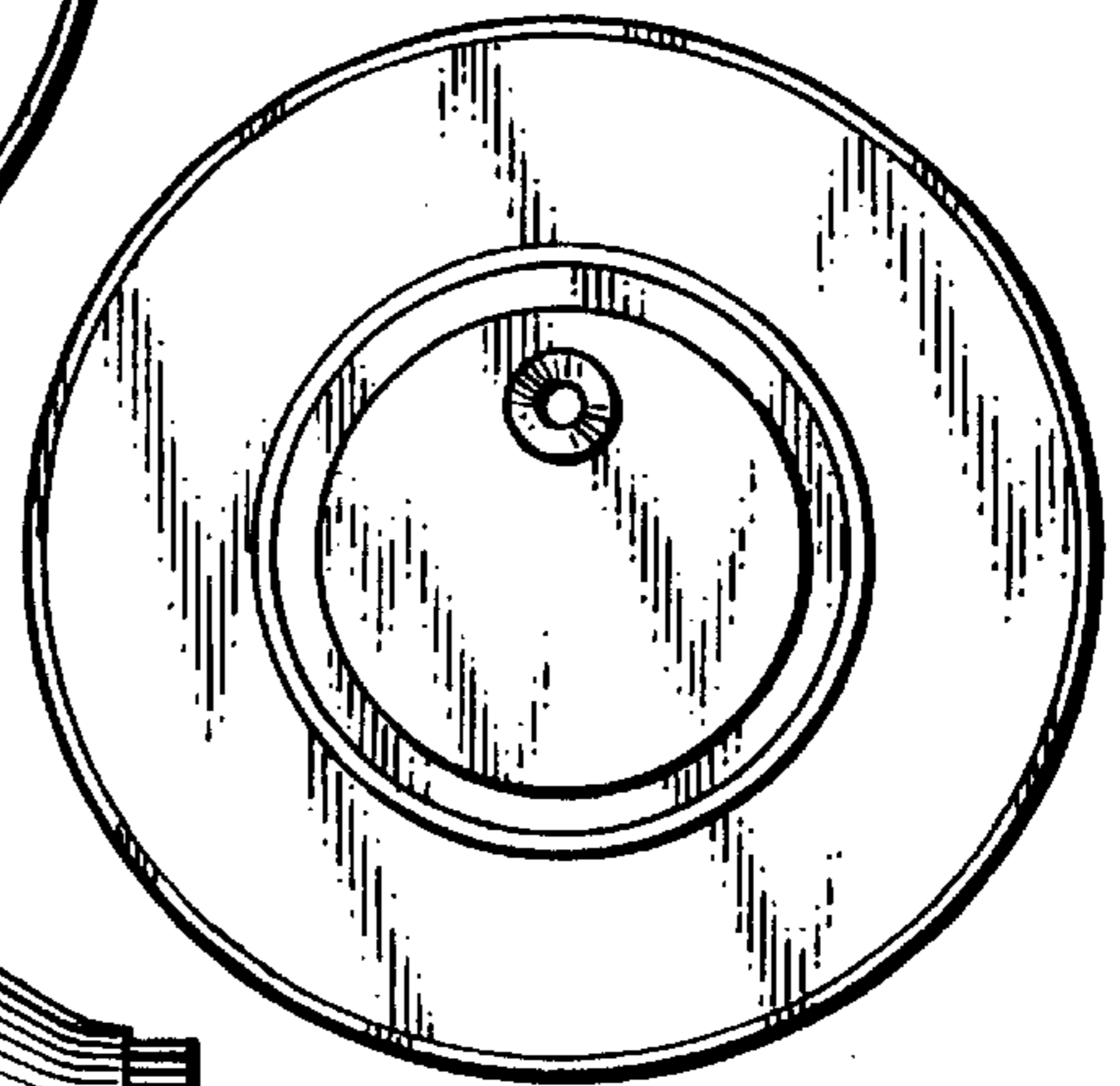




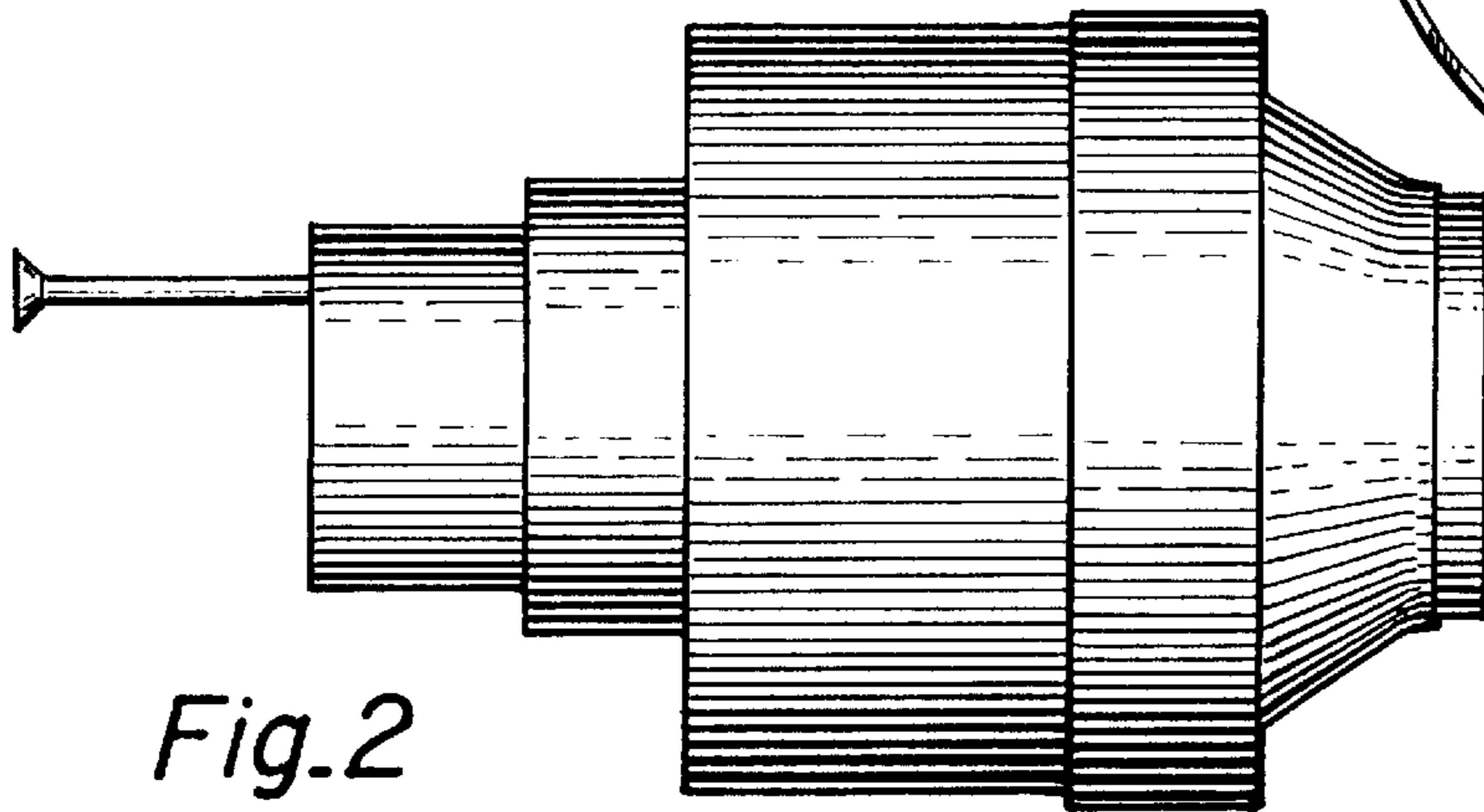
*Fig.1*



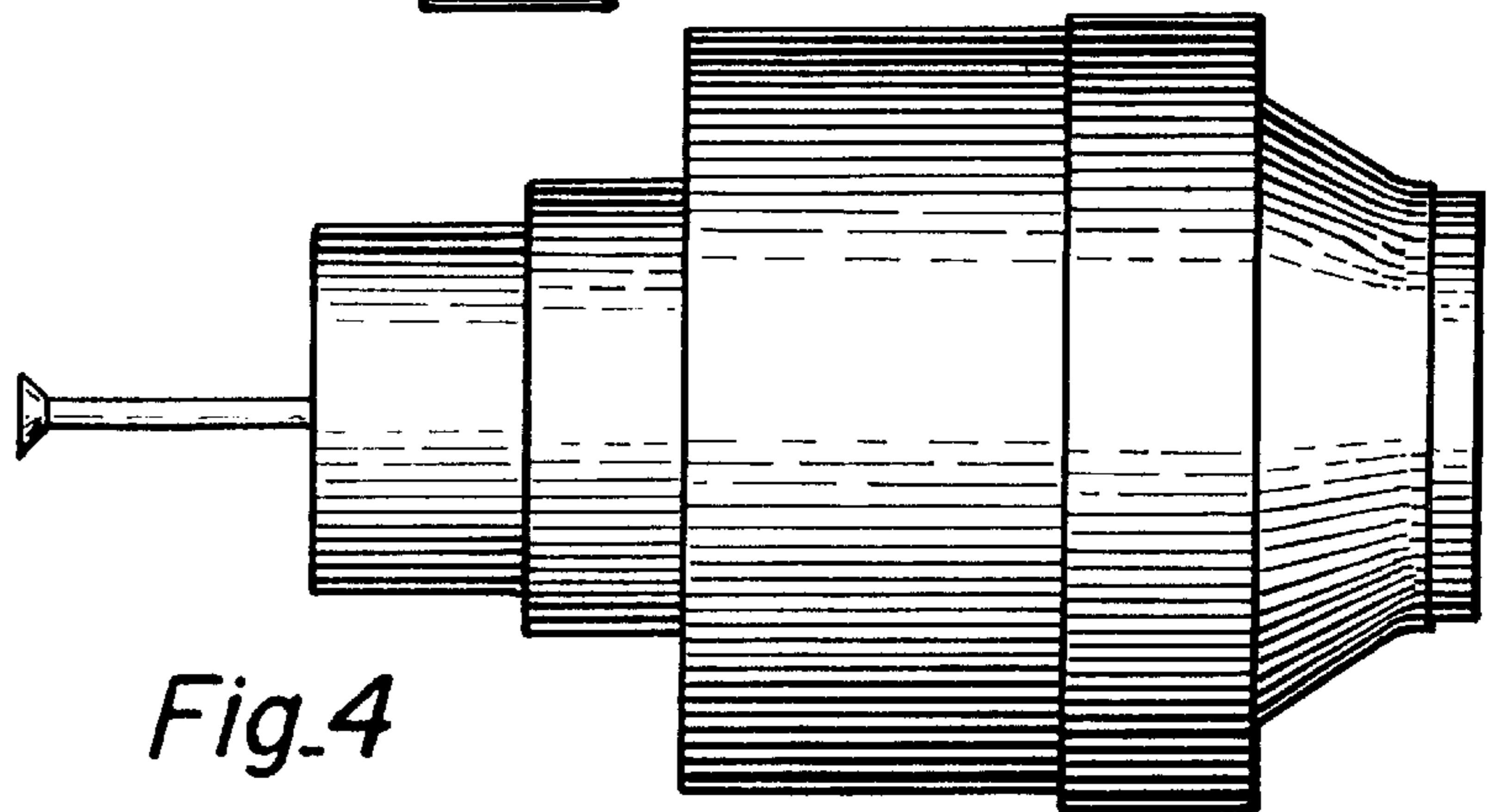
*Fig.3*



*Fig.5*



*Fig.2*



*Fig.4*