



US00D421807S

# United States Patent [19] Reid

[11] **Patent Number: Des. 421,807**

[45] **Date of Patent: \*\* \*Mar. 21, 2000**

[54] **METAL PROFILE**

[76] Inventor: **Robert Cameron Reid**, 41 Edward Bennett Dr., Cherrybrook, New South Wales, 2126, Australia

[\*] Notice: This patent is subject to a terminal disclaimer.

[\*\*] Term: **14 Years**

[21] Appl. No.: **29/063,251**

[22] Filed: **Dec. 3, 1996**

[30] **Foreign Application Priority Data**

Jun. 4, 1996 [AU] Australia ..... 1733/96

[51] **LOC (6) Cl.** ..... **25-01**

[52] **U.S. Cl.** ..... **D25/125**

[58] **Field of Search** ..... D25/119, 125; 52/573.1, 783.11, 783.19, 798.1, 671, 450

[56] **References Cited**

**U.S. PATENT DOCUMENTS**

D. 243,988	4/1977	Copeland .....	D25/125
3,708,943	1/1973	Thomas et al. ....	52/573.1
4,962,622	10/1990	Albrecht et al. ....	52/783.11
5,457,921	10/1995	Kostrzecha .....	52/783.11

*Primary Examiner*—Doris Clark

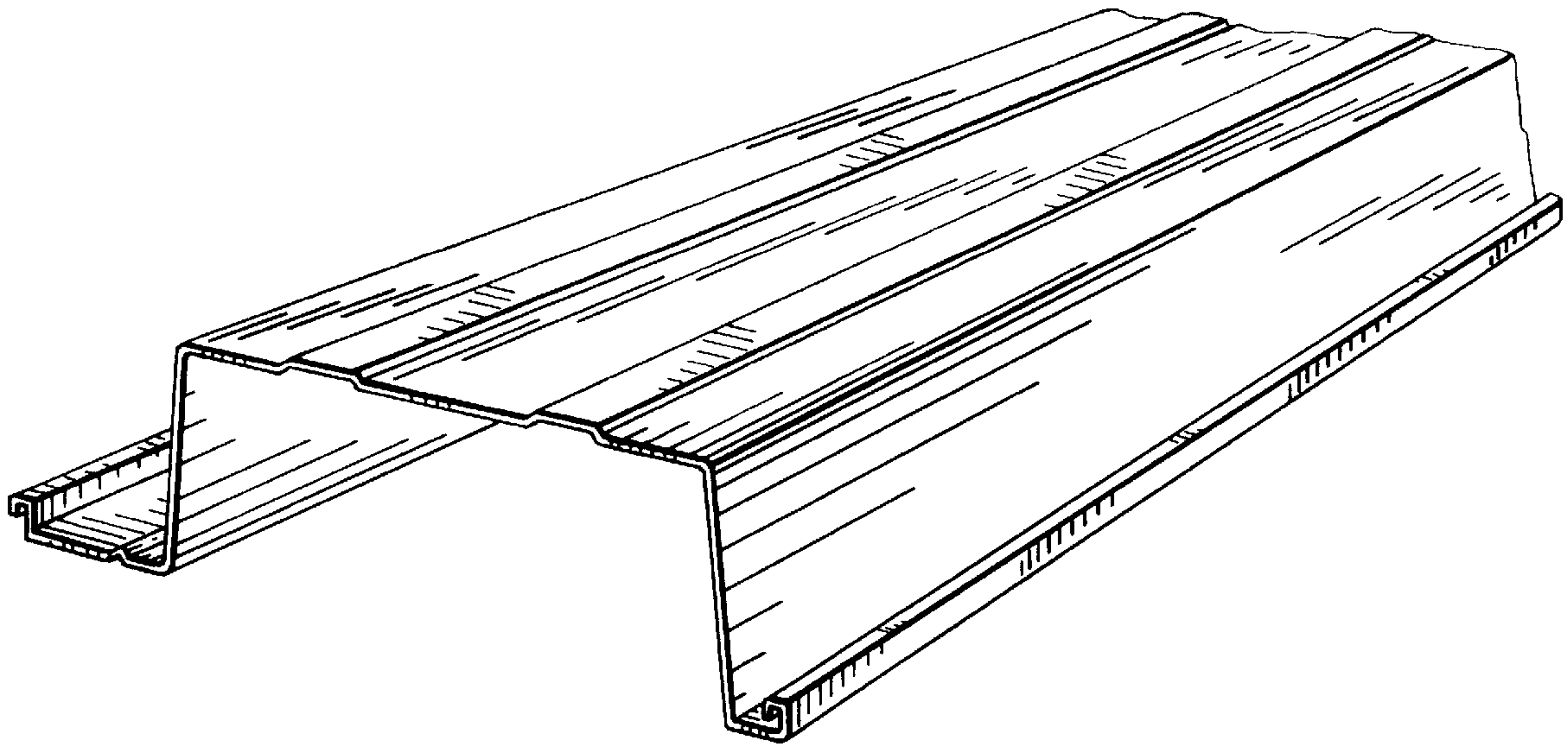
[57] **CLAIM**

The ornamental design of a metal profile, as shown and described.

**DESCRIPTION**

FIG. 1 is a perspective view of a metal profile showing my new design. The metal profile has been broken on the end to disclose indefinite length and of constant cross-section throughout its length; and, FIG. 2 is an end elevational view thereof.

**1 Claim, 1 Drawing Sheet**



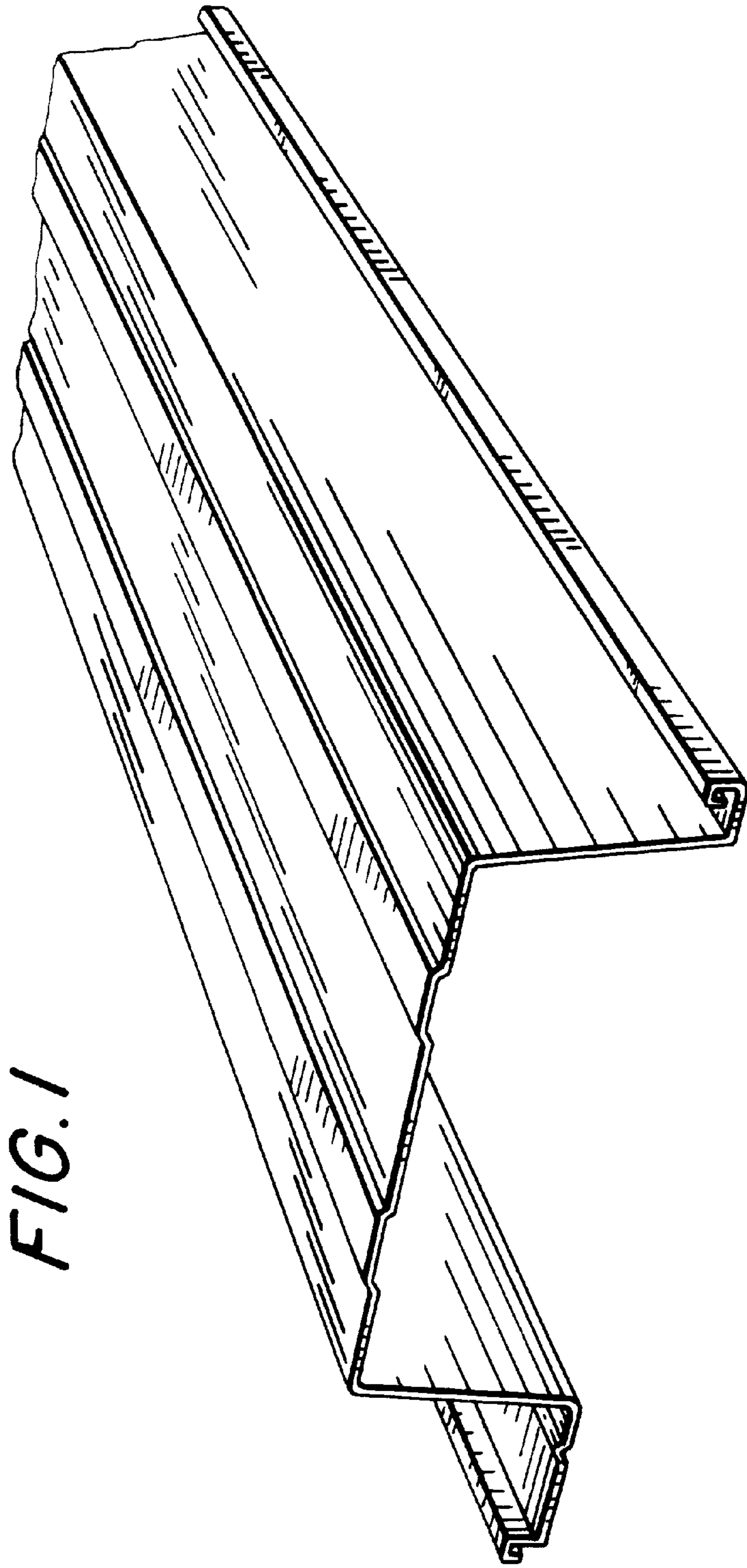


FIG. 1

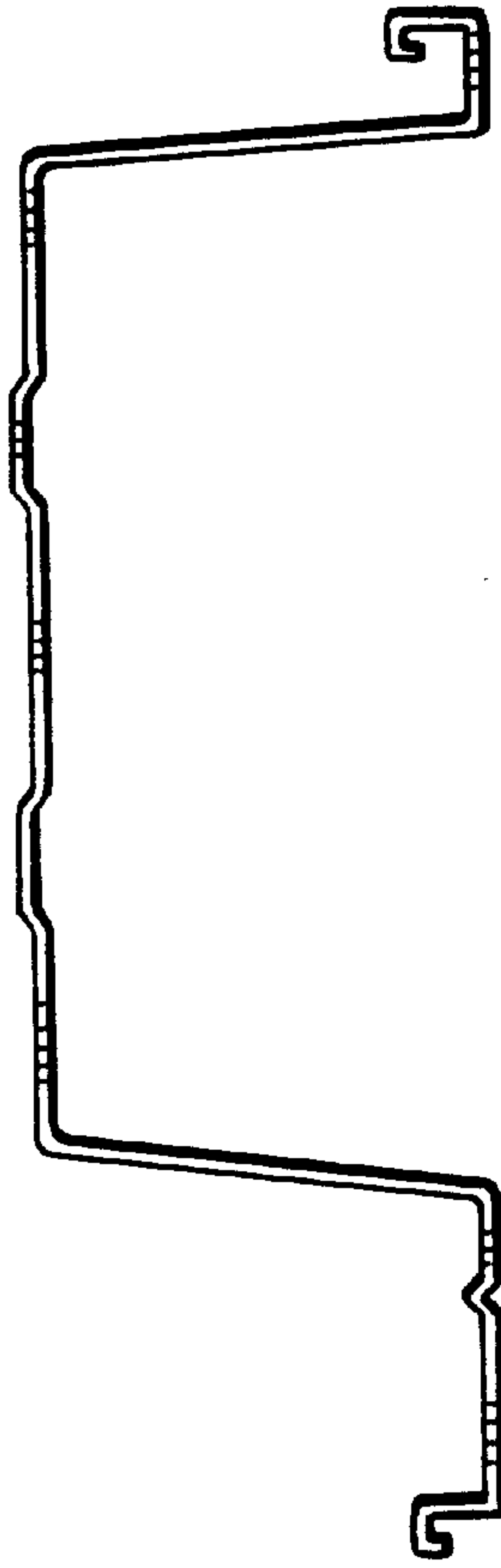


FIG. 2