



US00D421805S

United States Patent [19] Salls

[11] **Patent Number: Des. 421,805**

[45] **Date of Patent: ** Mar. 21, 2000**

[54] **TRDS- AC STAR BEACH EROSION
INHIBITOR**

5,080,526	1/1992	Waters	405/16
5,370,476	12/1994	Streichenberger	405/15
5,441,362	8/1995	Melby et al.	405/16
5,655,851	8/1997	Chor	405/15

[76] Inventor: **Darwin Aldis Salls**, P.O. Box 770126,
Ocala, Fla. 34477-0126

[**] Term: **14 Years**

Primary Examiner—Doris Clark

[21] Appl. No.: **29/080,350**

[57] **CLAIM**

[22] Filed: **Dec. 2, 1997**

I claim the ornamental design for a TRDS-AC star beach erosion inhibitor, as shown and described.

[51] **LOC (6) Cl.** **25-02**

DESCRIPTION

[52] **U.S. Cl.** **D25/58**

FIG. 1 is a top plan view;
FIG. 2 is a bottom plan view;
FIG. 3 is a front elevation view, the rear and both sides being identical to the front; and,
FIG. 4 is an isometric view.

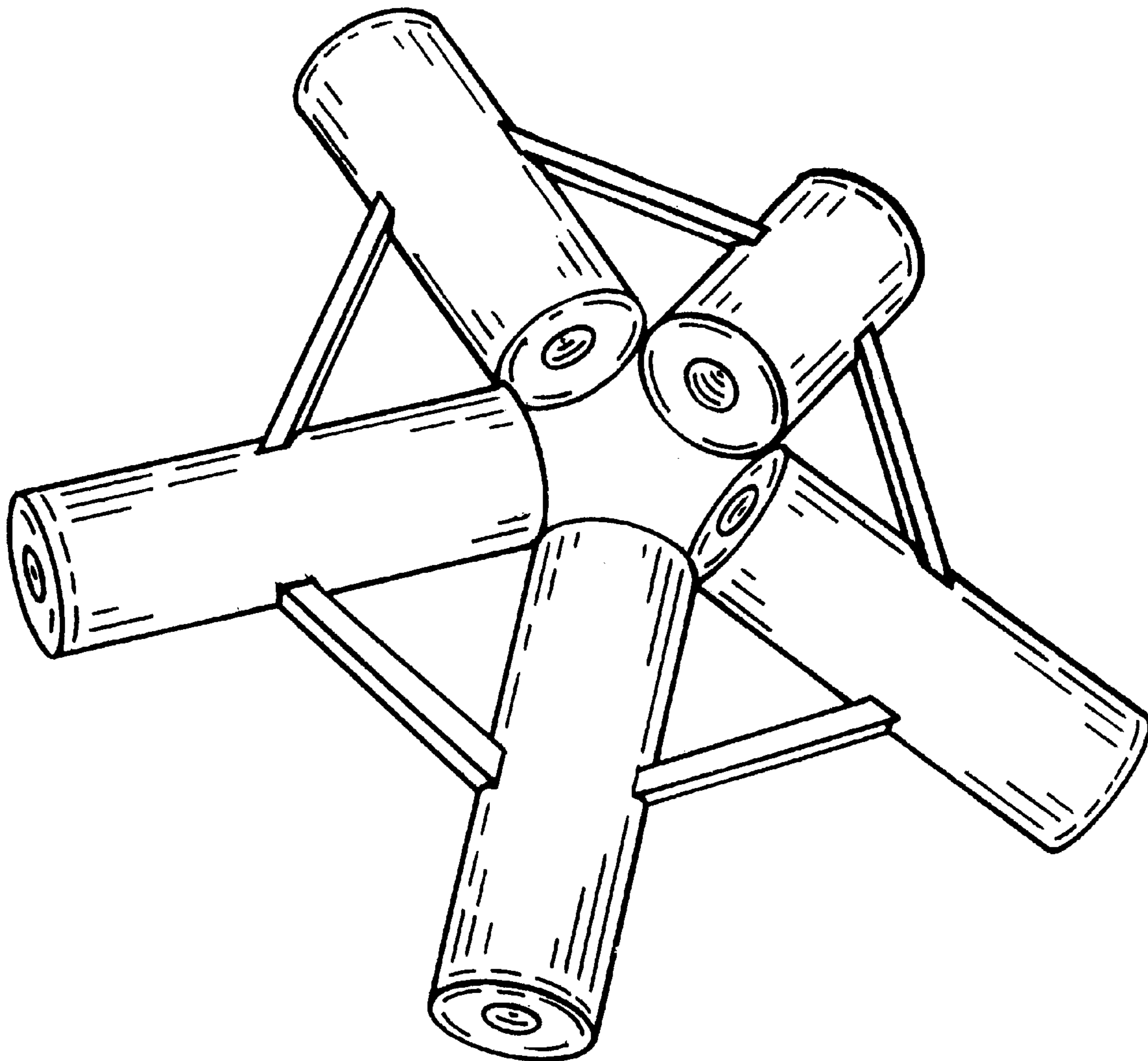
[58] **Field of Search** D25/58; 405/272,
405/273, 276, 15, 16, 25-27, 30, 33, 34

[56] **References Cited**

U.S. PATENT DOCUMENTS

D. 299,170 12/1988 Meheen D25/58

1 Claim, 3 Drawing Sheets



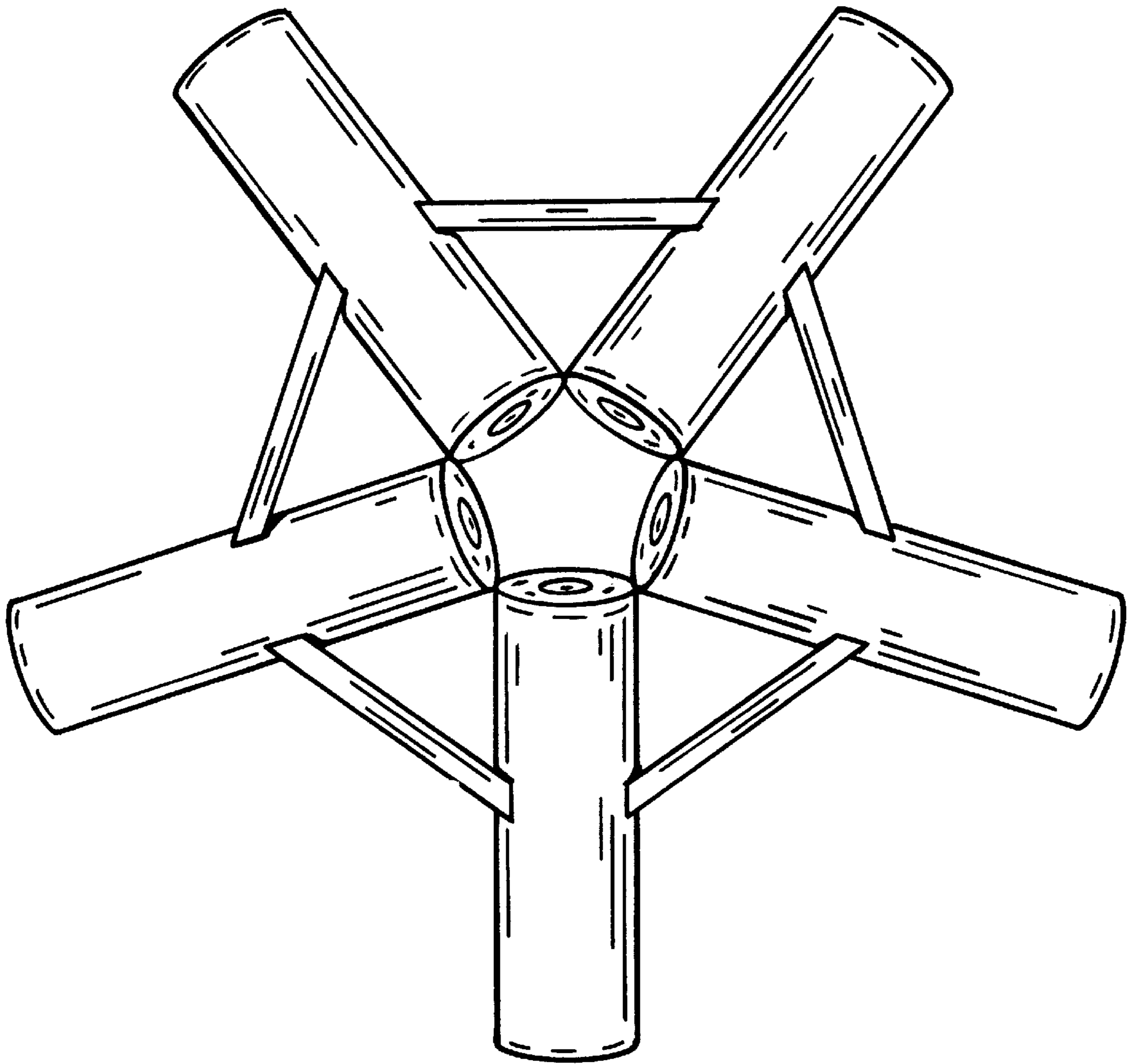


Figure 1

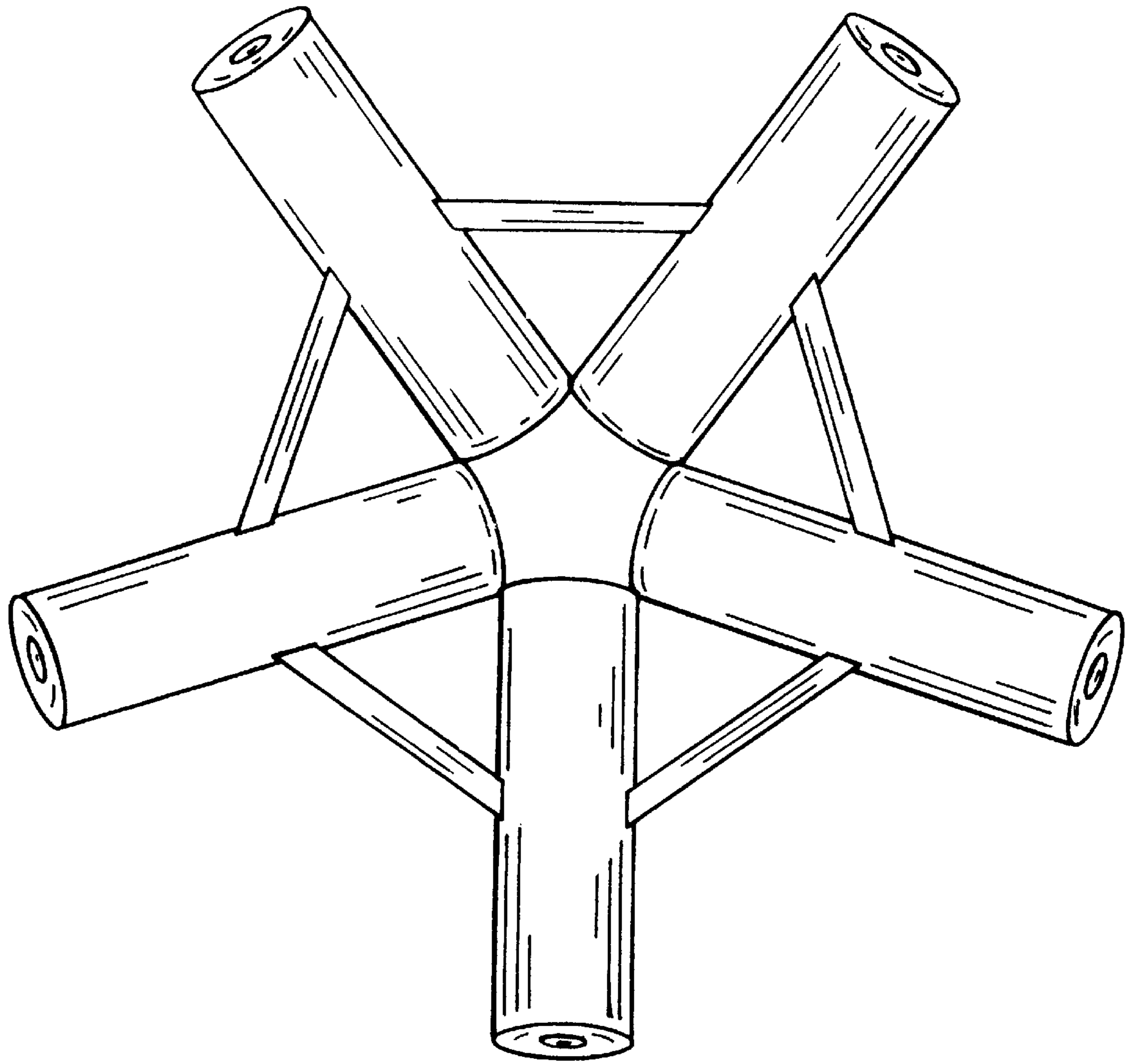


Figure 2

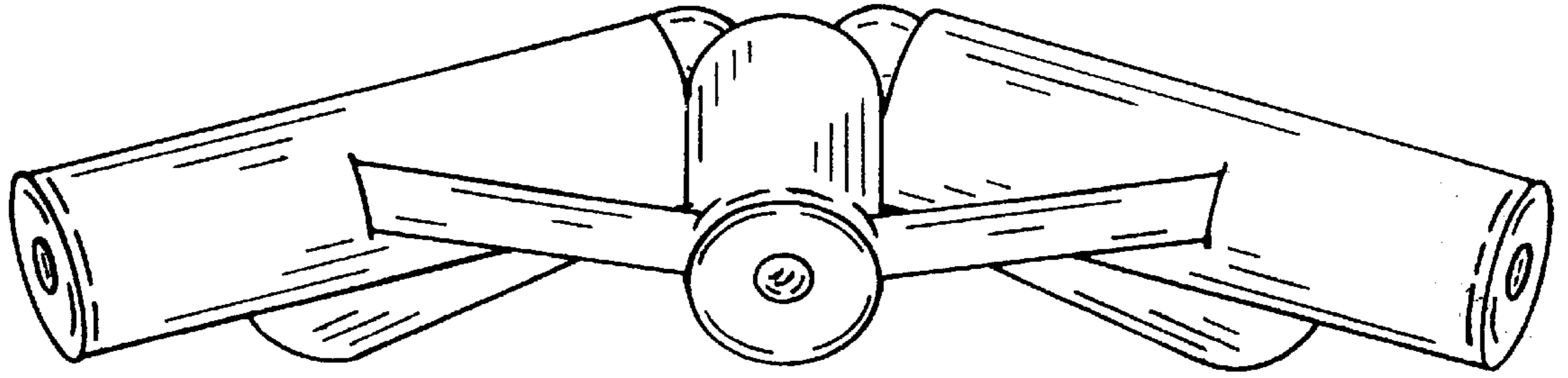


Figure 3

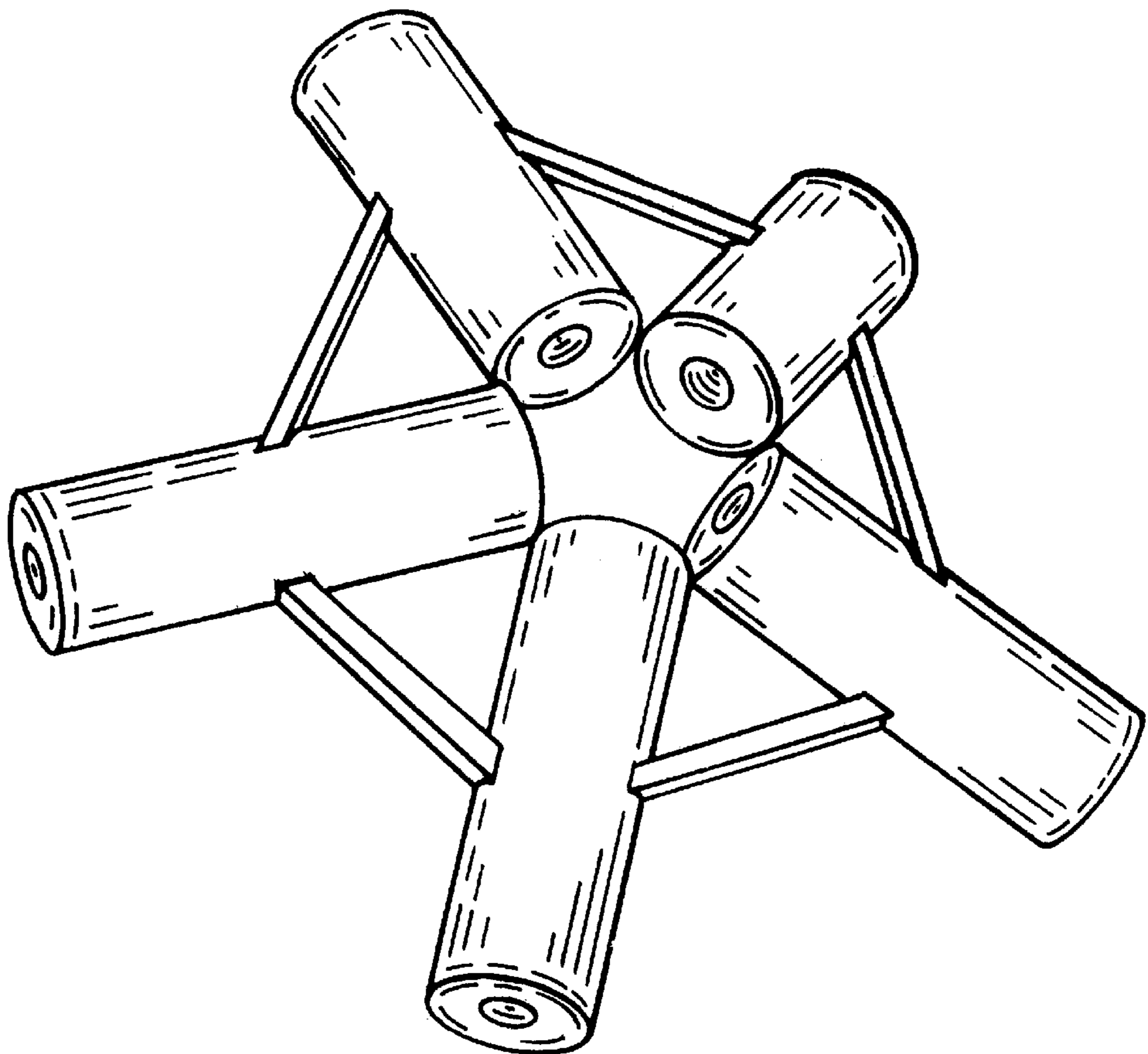


Figure 4