



US00D421803S

United States Patent [19]

[11] Patent Number: **Des. 421,803**

Koros et al.

[45] Date of Patent: **** Mar. 21, 2000**

[54] **RETRACTOR FOR CORONARY ARTERY BYPASS SURGERY**

5,846,194 12/1998 Wasson et al. 600/228
5,875,782 3/1999 Ferrari et al. 128/898

[76] Inventors: **Tibor B. Koros; Gabriel J. Koros,**
both of 610 Flinn Ave., Moorpark,
Calif. 93021

Primary Examiner—Stella Reid
Assistant Examiner—I Simmons
Attorney, Agent, or Firm—David O'Reilly

[**] Term: **14 Years**

[57] CLAIM

[21] Appl. No.: **29/084,672**

The ornamental design for a retractor for coronary artery bypass surgery, as shown and described.

[22] Filed: **Mar. 7, 1998**

DESCRIPTION

[51] **LOC (6) Cl.** **24-02**

[52] **U.S. Cl.** **D24/135**

[58] **Field of Search** D24/135; 600/201,
600/206, 210, 216, 229, 228, 231, 232,
220, 217, 215

FIG. 1 is a perspective view of a retractor for coronary artery bypass surgery showing our new design; the broken line showing of the chest cavity is for illustrative purposes only and forms no part of the claimed design;

FIG. 2 is a top view thereof;

FIG. 3 is a bottom view thereof;

FIG. 4 is a front view thereof;

FIG. 5 is a rear view thereof;

FIG. 6 is a right side view thereof; and,

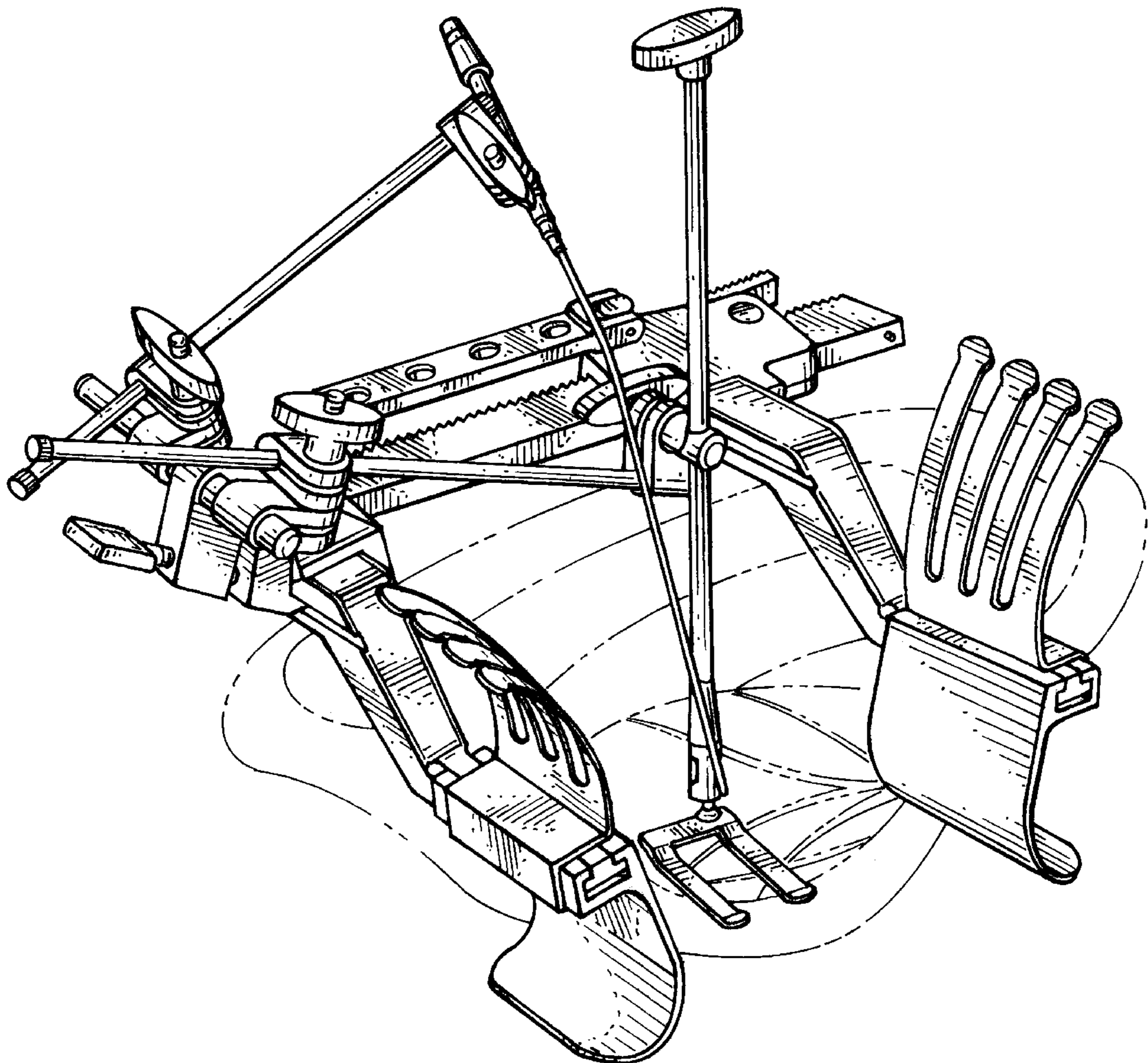
FIG. 7 is a left side view thereof.

[56] References Cited

U.S. PATENT DOCUMENTS

D. 361,381	8/1995	Koros et al.	D24/135
D. 399,955	10/1998	Koros et al.	D24/135
5,025,779	6/1991	Bugge	600/217
5,520,608	5/1996	Cabrera et al.	600/227

1 Claim, 7 Drawing Sheets



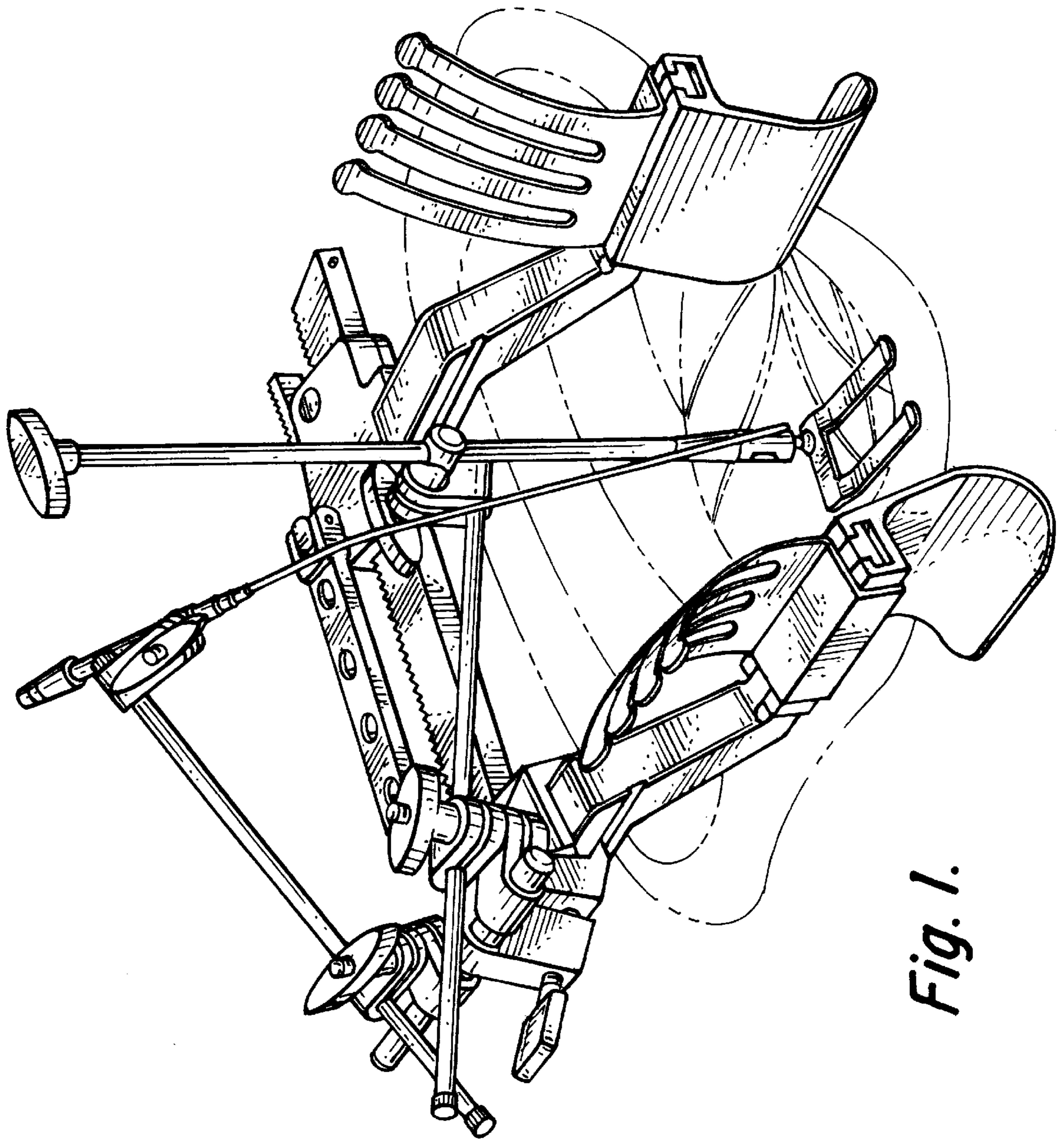


Fig. 1.

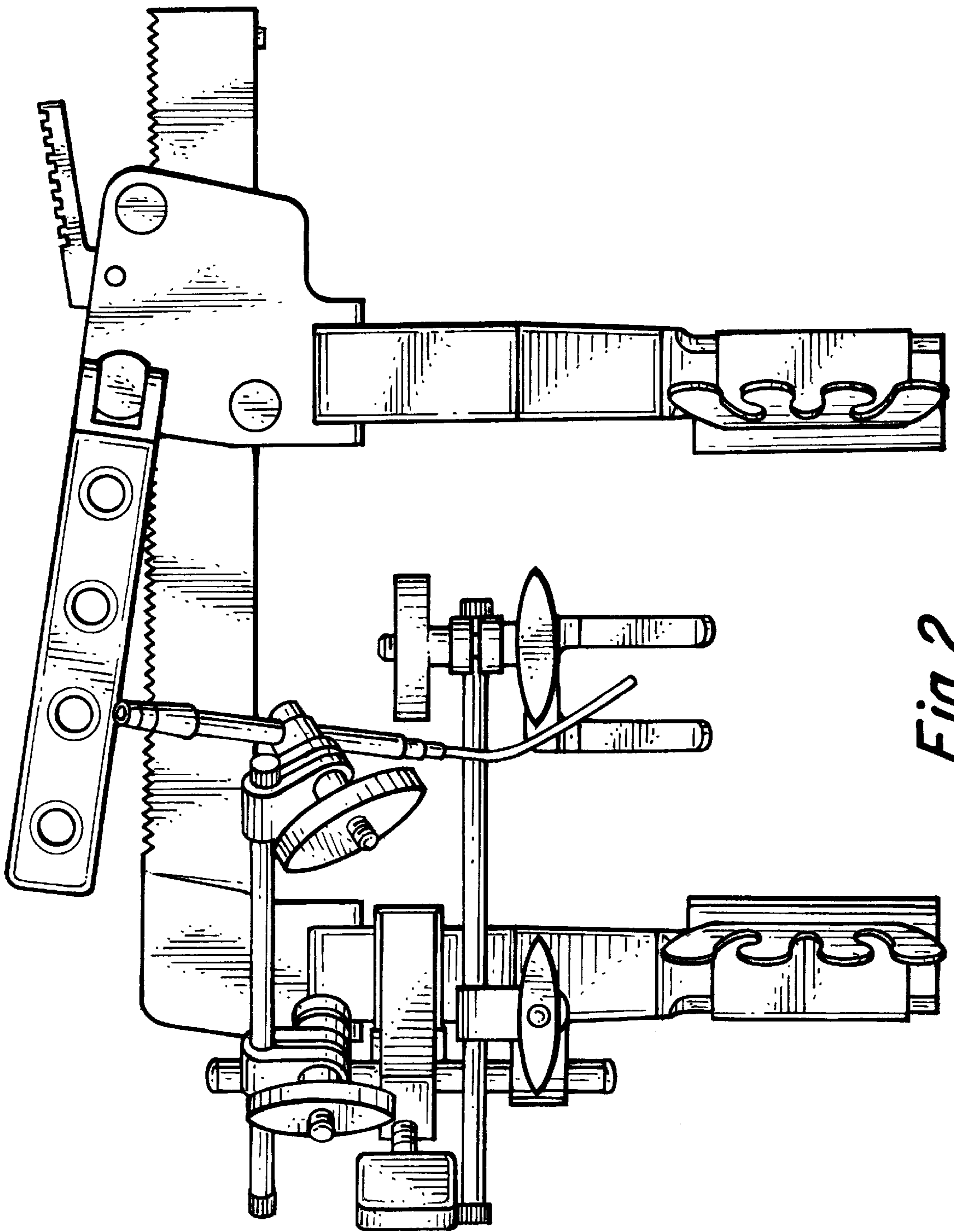


Fig. 2.

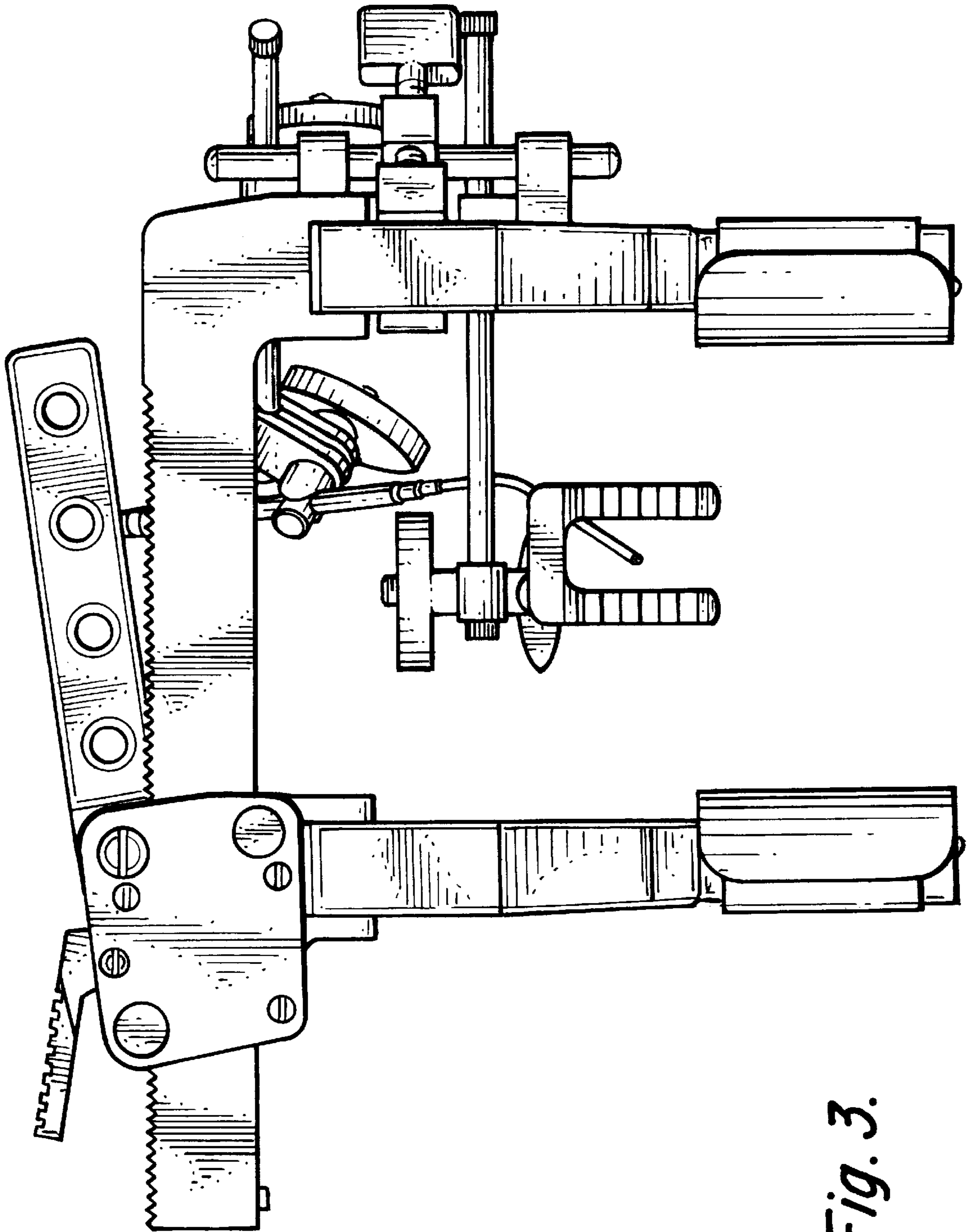


Fig. 3.

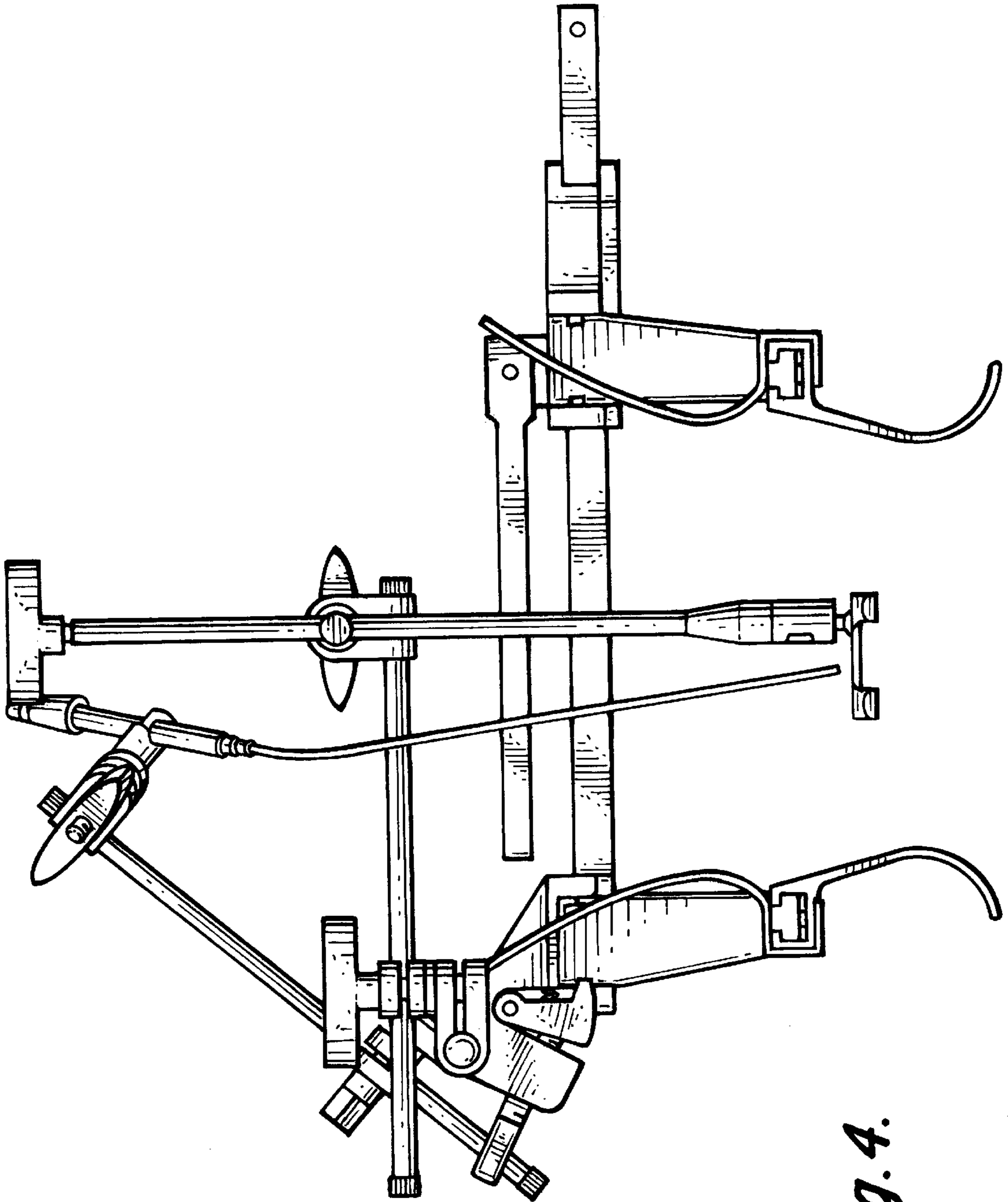


Fig. 4.

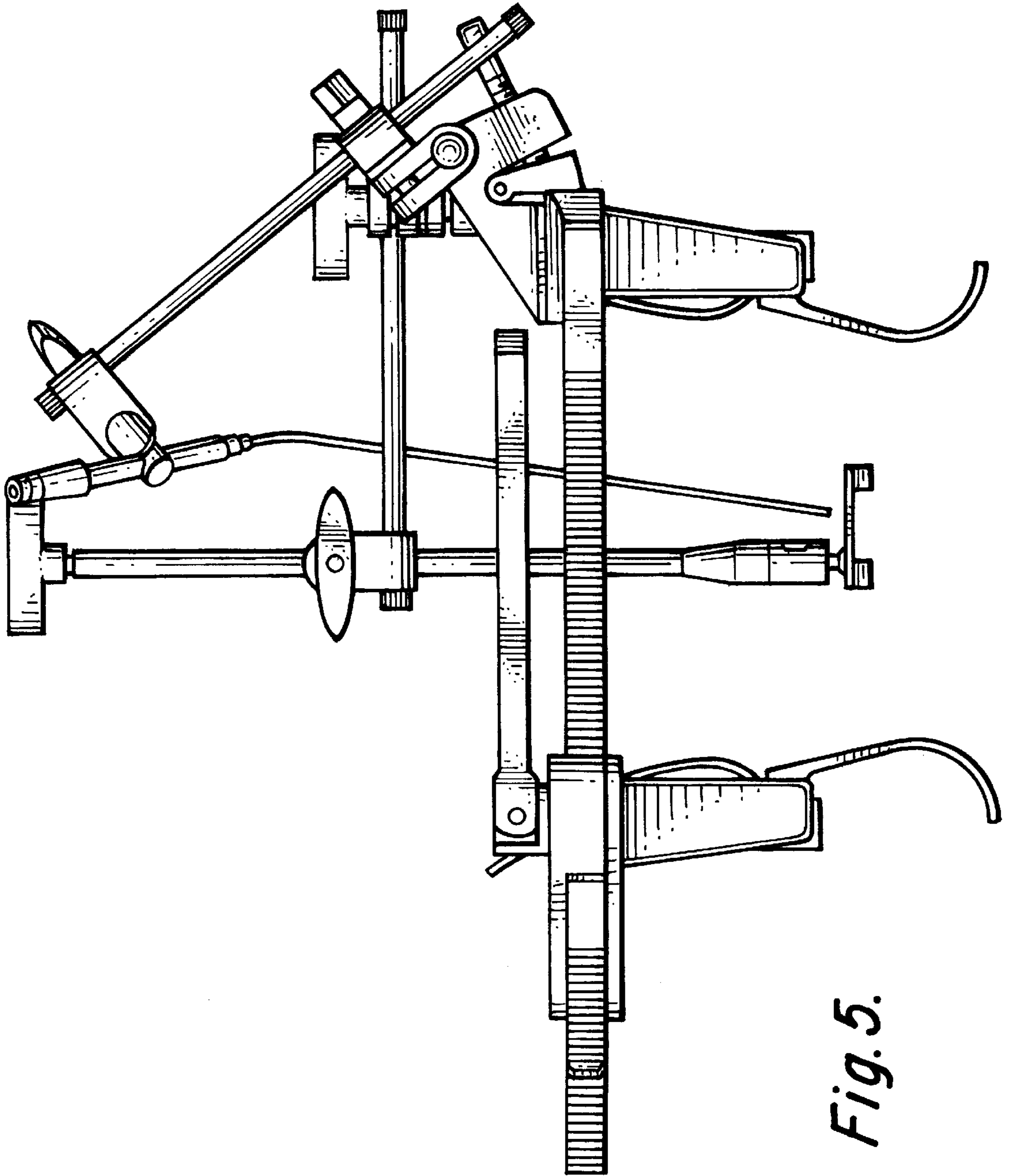


Fig. 5.

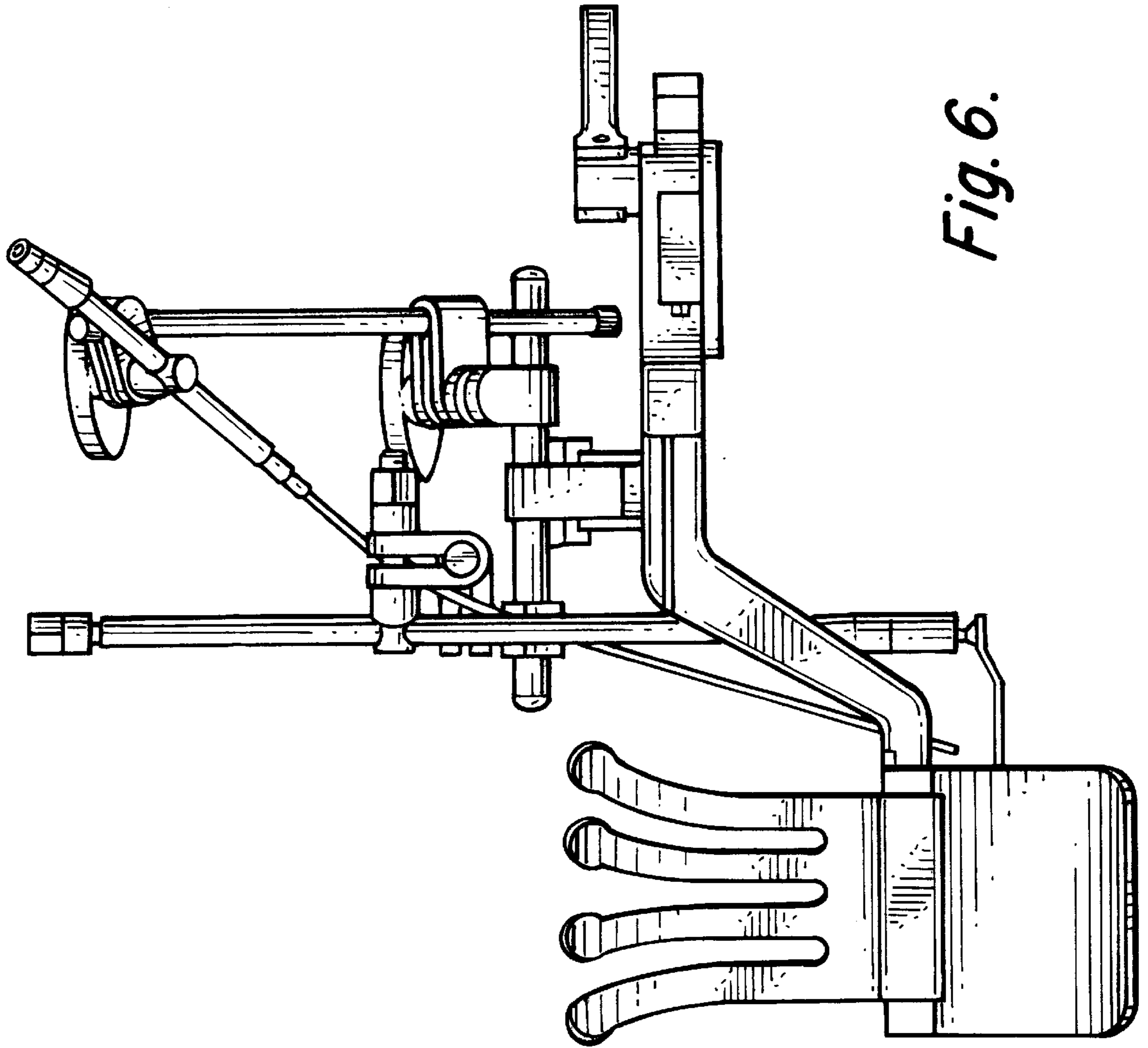


Fig. 6.

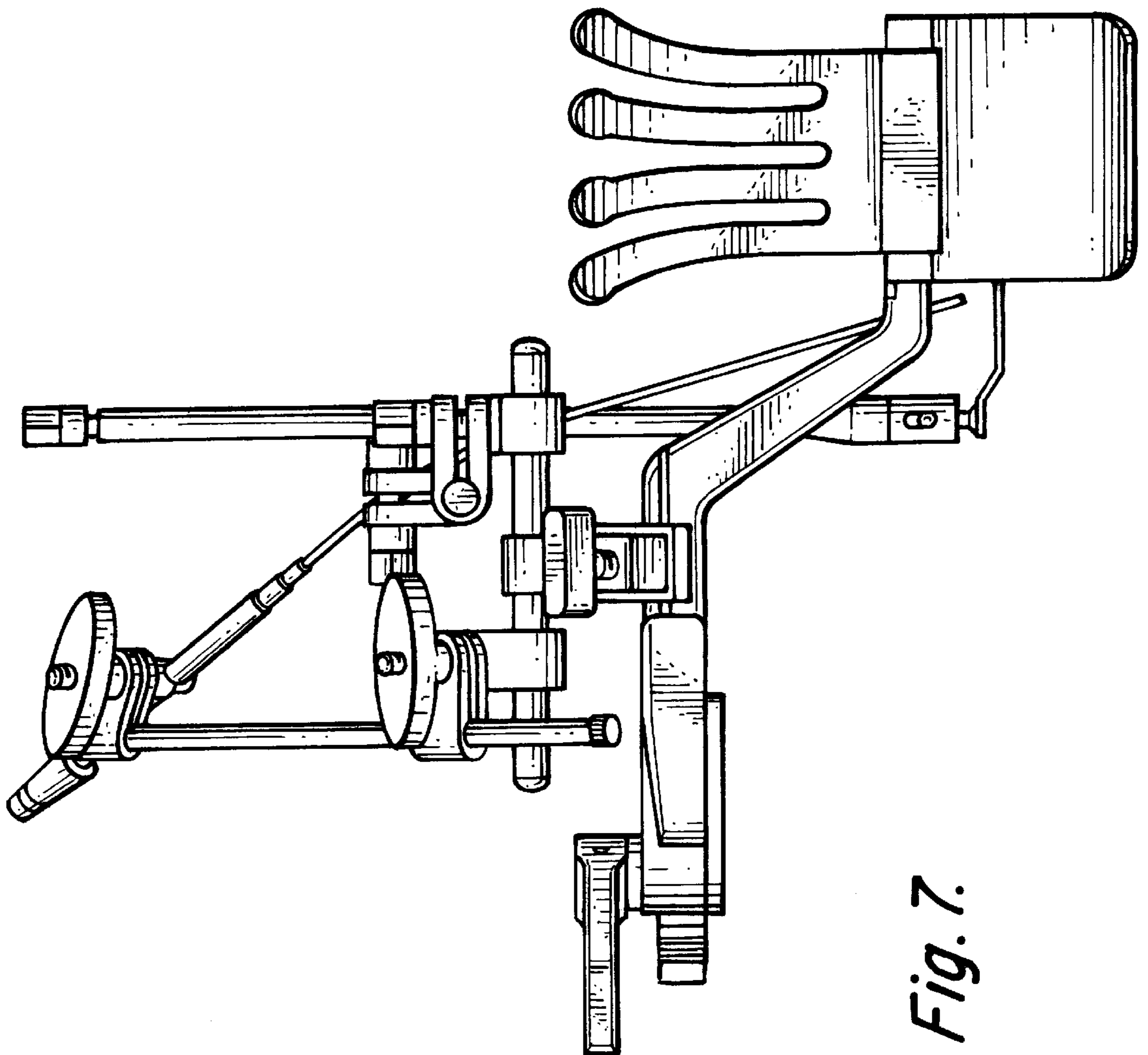


Fig. 7.