



US00D421801S

United States Patent [19]

Brostrom et al.

[11] Patent Number: Des. 421,801

[45] Date of Patent: ** Mar. 21, 2000

[54] CARRIAGE FOR DROP-DOWN MASK ASSEMBLY

5,464,010 11/1995 Byram 128/207.11
5,592,937 1/1997 Freud 128/206.16

[75] Inventors: Gerald M. Brostrom, Burnsville, Minn.; David C. Byram, River Falls, Wis.

FOREIGN PATENT DOCUMENTS

0085746 8/1983 European Pat. Off. .
195 16 859
A1 11/1995 Germany .

[73] Assignee: 3M Innovative Properties Company, St. Paul, Minn.

Primary Examiner—Stella Reid
Assistant Examiner—I Simmons
Attorney, Agent, or Firm—James A. Rogers

[**] Term: 14 Years

[21] Appl. No.: 29/077,630

[57] CLAIM

[22] Filed: Oct. 3, 1997

The ornamental design for a carriage for drop-down mask assembly, as shown and described.

[51] LOC (6) Cl. 29-02

DESCRIPTION

[52] U.S. Cl. D24/110.1

[58] Field of Search D24/110.1, 110.4, D24/110.5; 128/206.27, 206.28, 207.11, 207.18, 207.13, 207.12, 206.26, 206.24, 206.25

FIG. 1 is a perspective view of a carriage for drop-down mask assembly showing our new design; FIG. 2 is a right side elevational view thereof; FIG. 3 is a top plan view thereof; FIG. 4 is a rear elevational view thereof; FIG. 5 is a front elevational view thereof; and, FIG. 6 is a bottom view thereof.

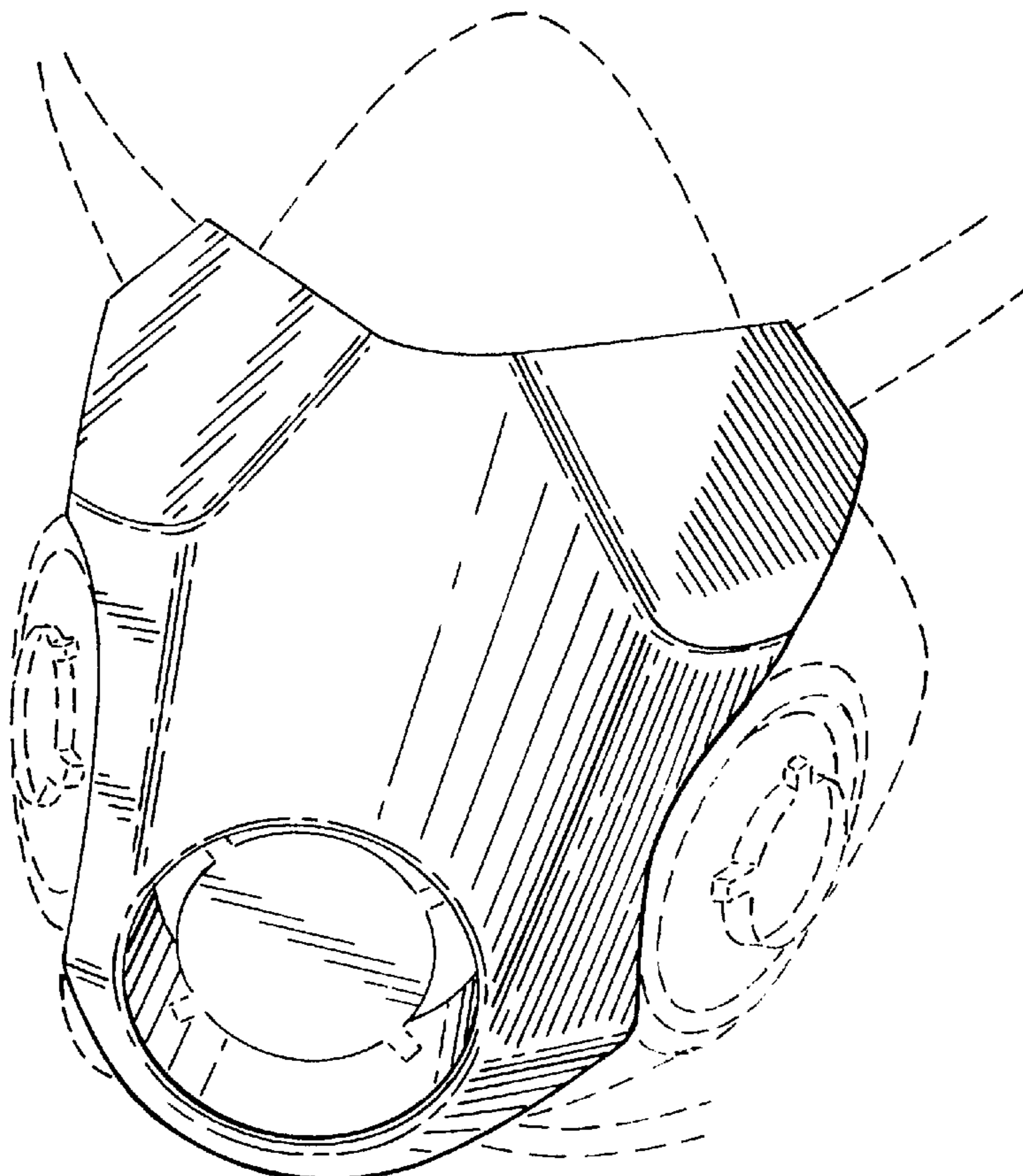
[56] References Cited

U.S. PATENT DOCUMENTS

3,792,702 2/1974 Delest 128/146.7
4,934,361 6/1990 Michel et al. 128/206.17
5,062,421 11/1991 Burns et al. 128/205.27
5,181,507 1/1993 Michel et al. 128/206.27
5,237,986 8/1993 Seppala et al. 128/201.23

The broken line showing in FIGS. 1 through 6 is for illustrative purposes only and forms no part of the claimed design.

1 Claim, 3 Drawing Sheets



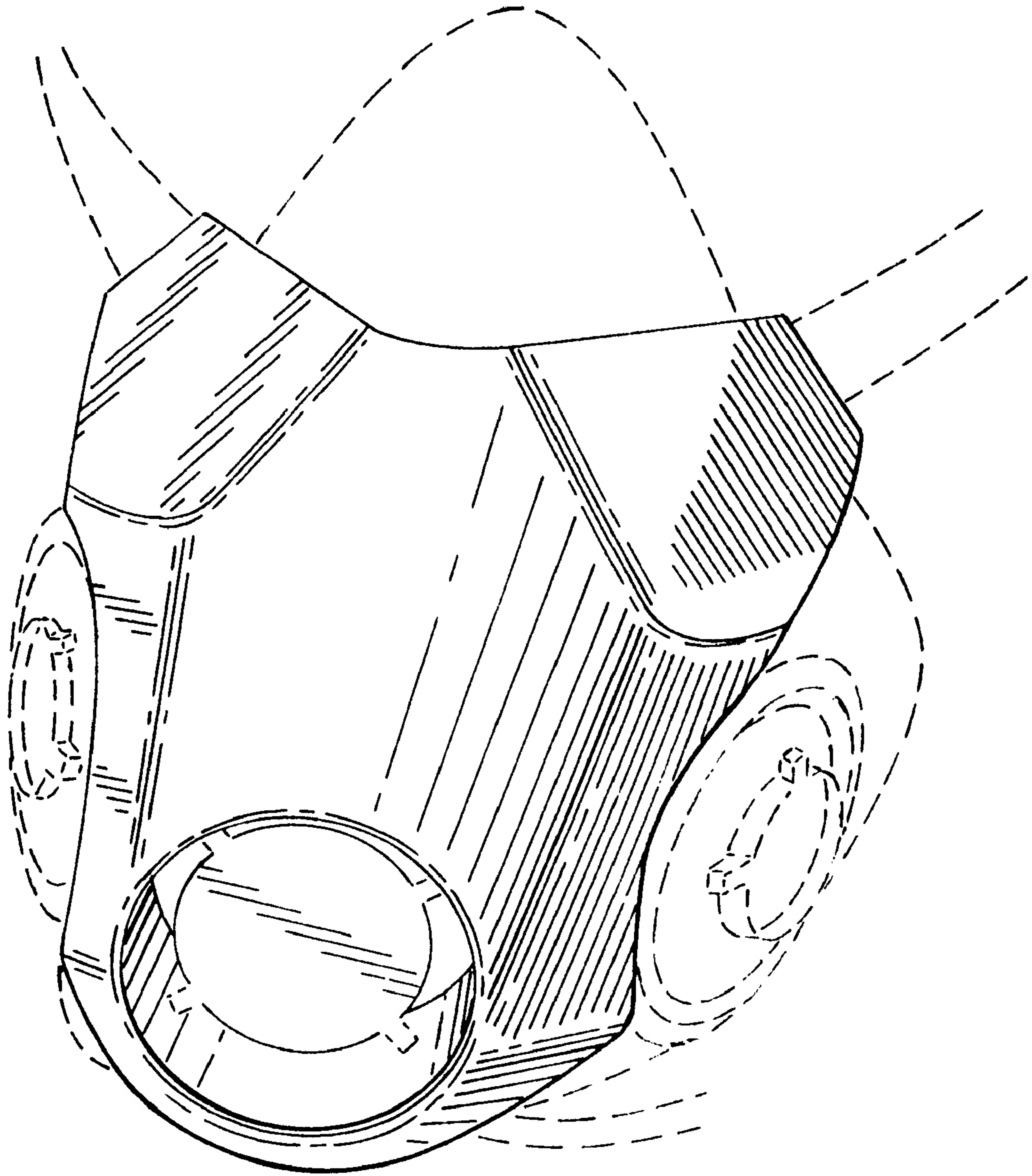


FIG. 1

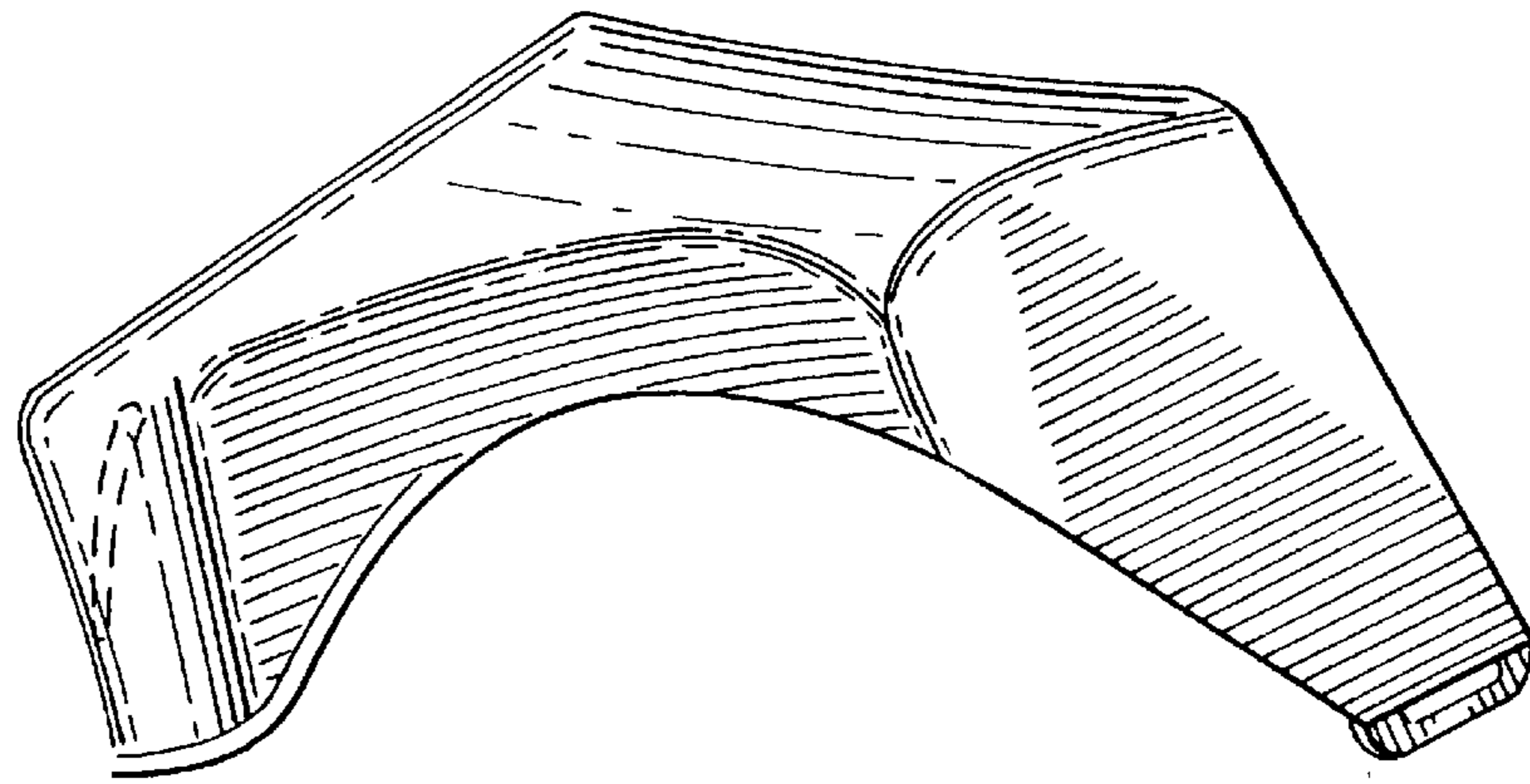


FIG. 2

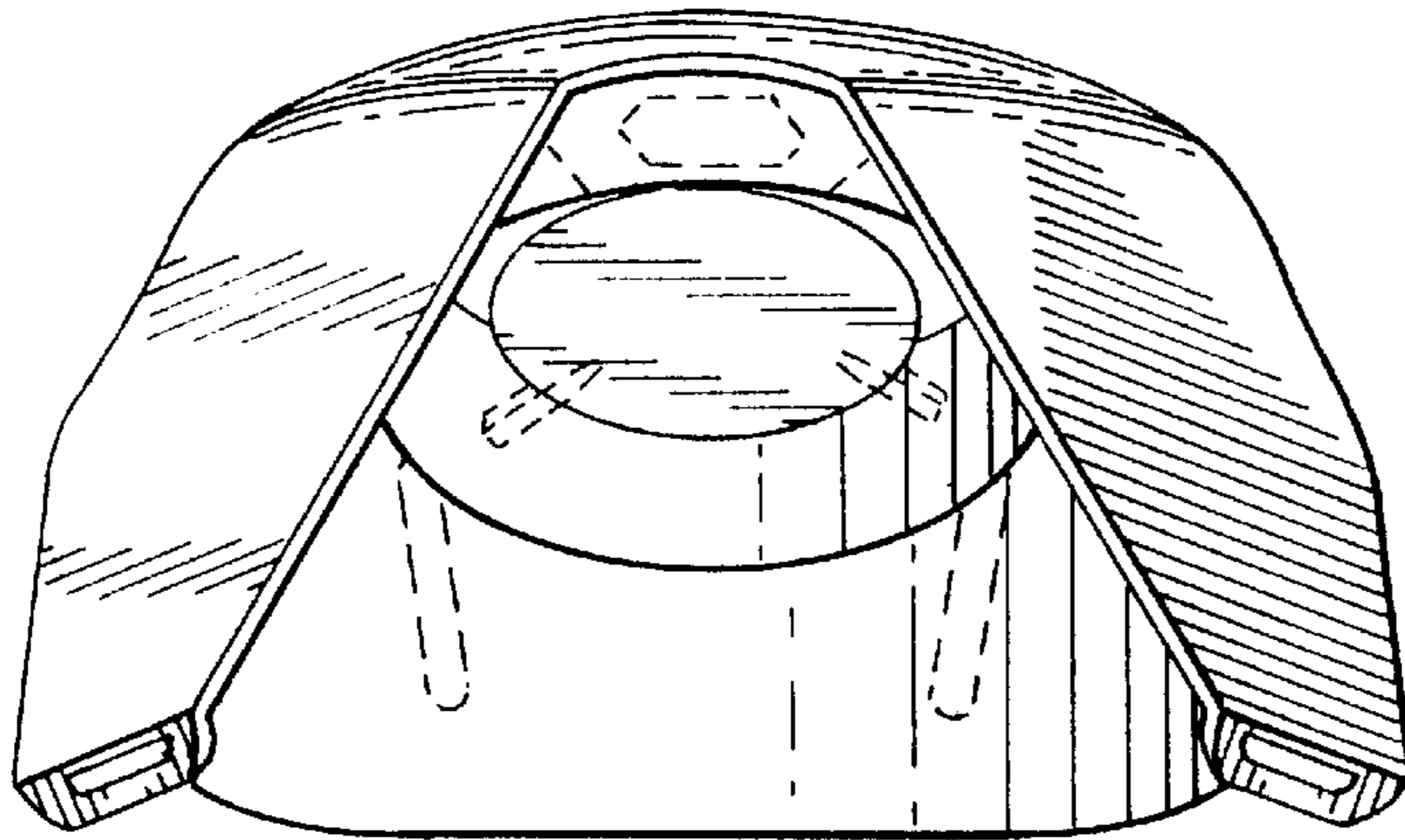


FIG. 3

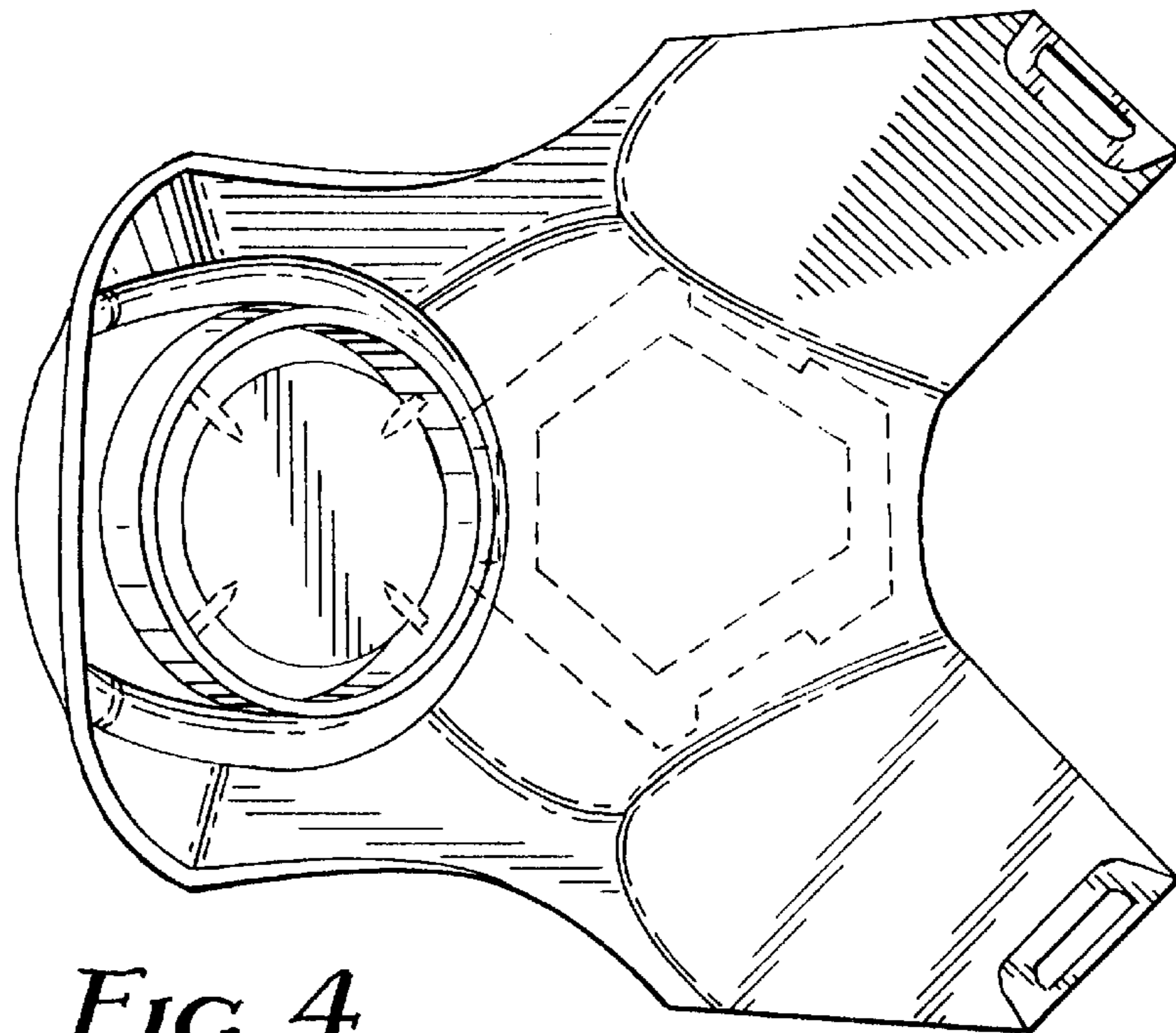


FIG. 4

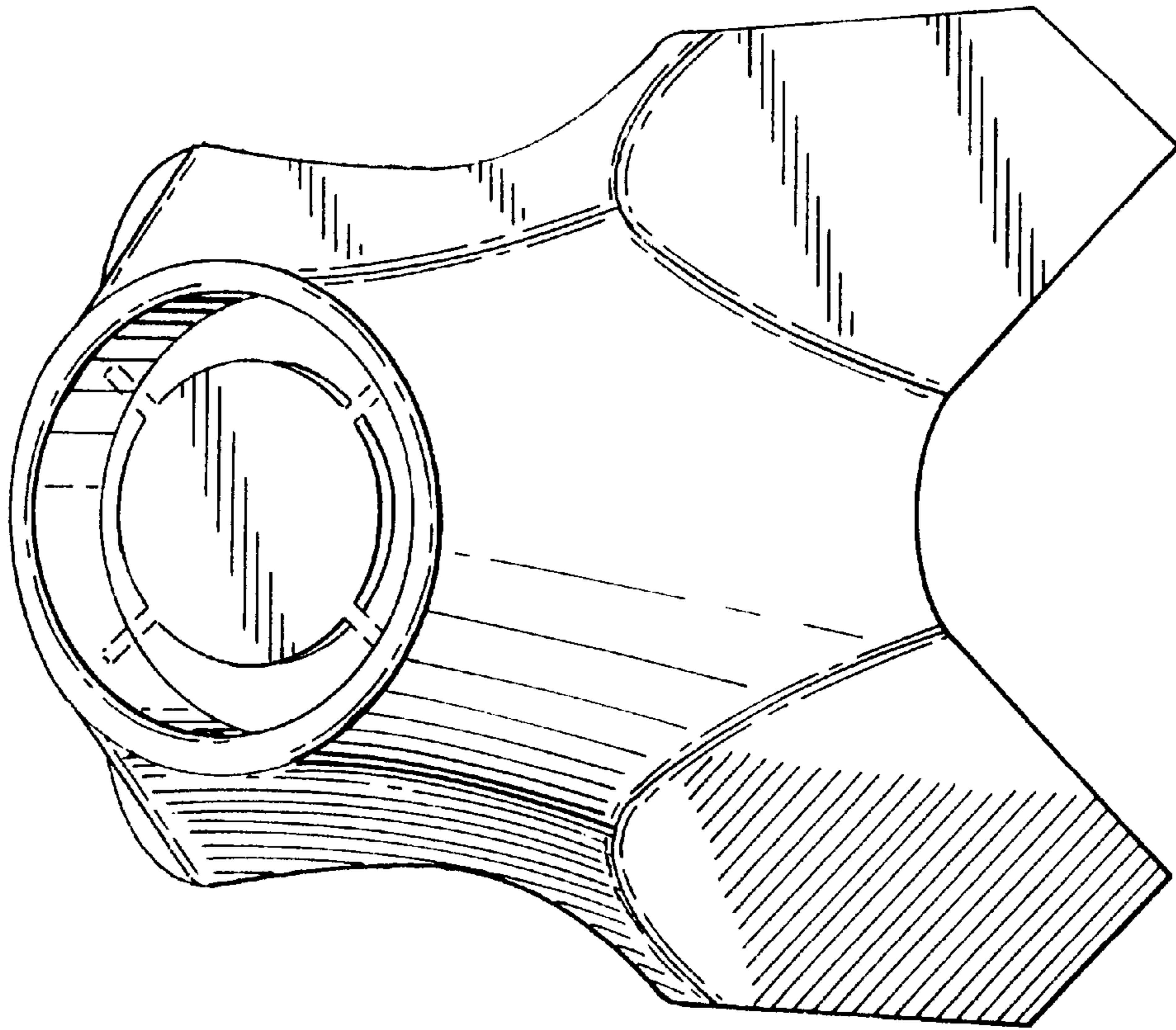


FIG. 5

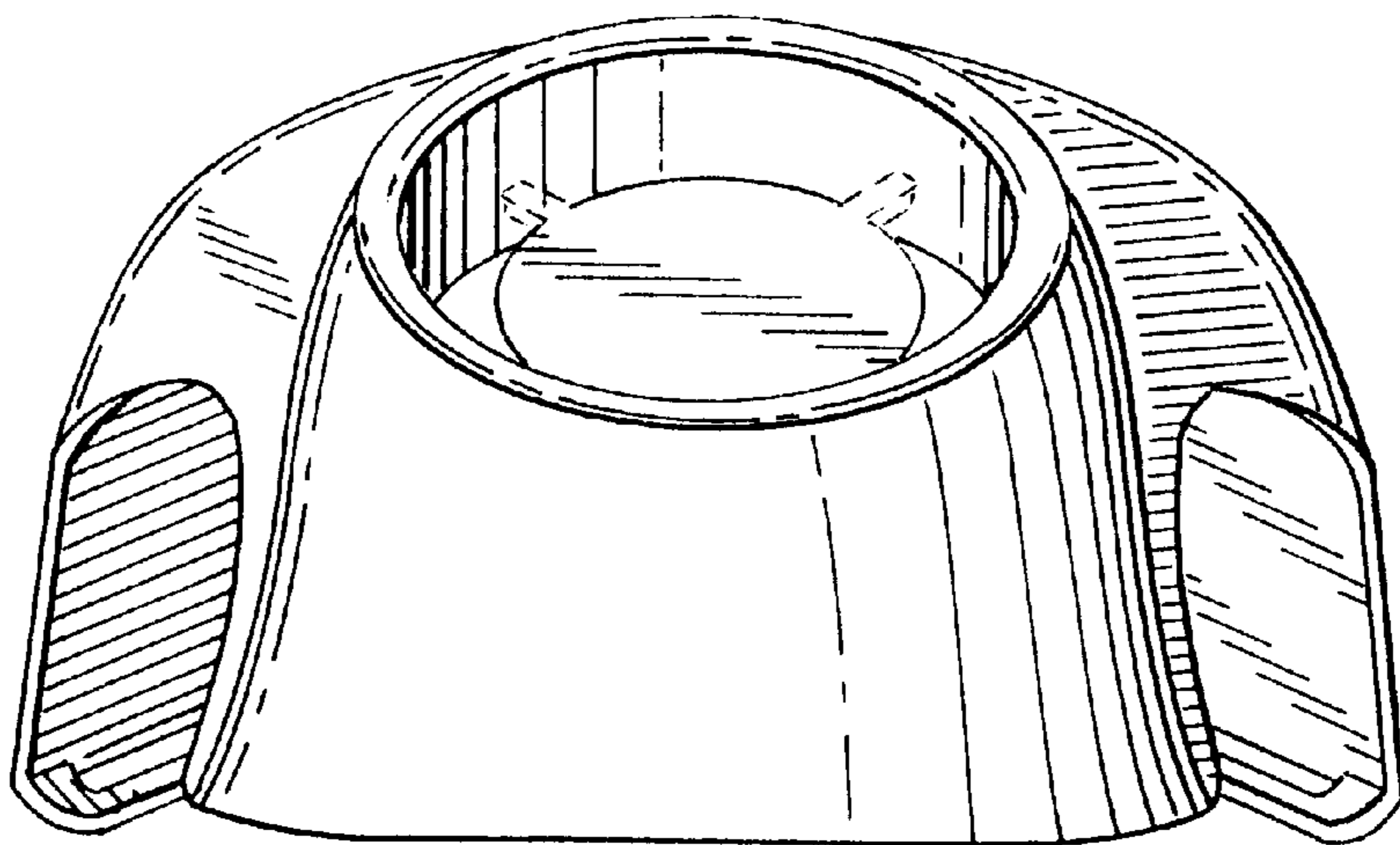


FIG. 6