



US00D421800S

United States Patent [19]

[11] **Patent Number: Des. 421,800**

Doat

[45] **Date of Patent: ** Mar. 21, 2000**

[54] **POWDER AND COMPRESSED-AIR INHALER**

5,349,947 9/1994 Newhouse 128/203.15 X
5,881,719 3/1999 Gottenauer et al. 128/203.15
5,896,855 4/1999 Hobbs et al. 128/203.15

[75] Inventor: **Arnaud Doat**, Castres, France

Primary Examiner—Louis S. Zarfaz

[73] Assignee: **Pierre Fabre Medicament**, Boulogne, France

Assistant Examiner—I. Simmons

Attorney, Agent, or Firm—Jacobson, Price, Holman & Stern, PLLC

[**] Term: **14 Years**

[57] CLAIM

[21] Appl. No.: **29/092,536**

The ornamental design for a powder and compressed-air inhaler, as shown and described.

[22] Filed: **Aug. 19, 1998**

[30] Foreign Application Priority Data

DESCRIPTION

Feb. 19, 1998 [FR] France 98 1067

FIG. 1 is a perspective view showing my new design for a powder and compressed-air inhaler,

[51] **LOC (6) Cl.** **24-02**

FIG. 2 is a side rear perspective view thereof,

[52] **U.S. Cl.** **D24/110**

FIG. 3 is a perspective view thereof with the cap separated,

[58] **Field of Search** D24/110; 120/203.15, 120/200.23, 200.24, 200.14, 205.13, 203.18, 200.18

FIG. 4 is a perspective view thereof in use position without the cap,

FIG. 5 is a bottom perspective view thereof in use position without the cap, and,

[56] References Cited

FIG. 6 is a side front perspective view thereof without the cap.

U.S. PATENT DOCUMENTS

D. 390,651 2/1998 Smith et al. D24/110

1 Claim, 6 Drawing Sheets

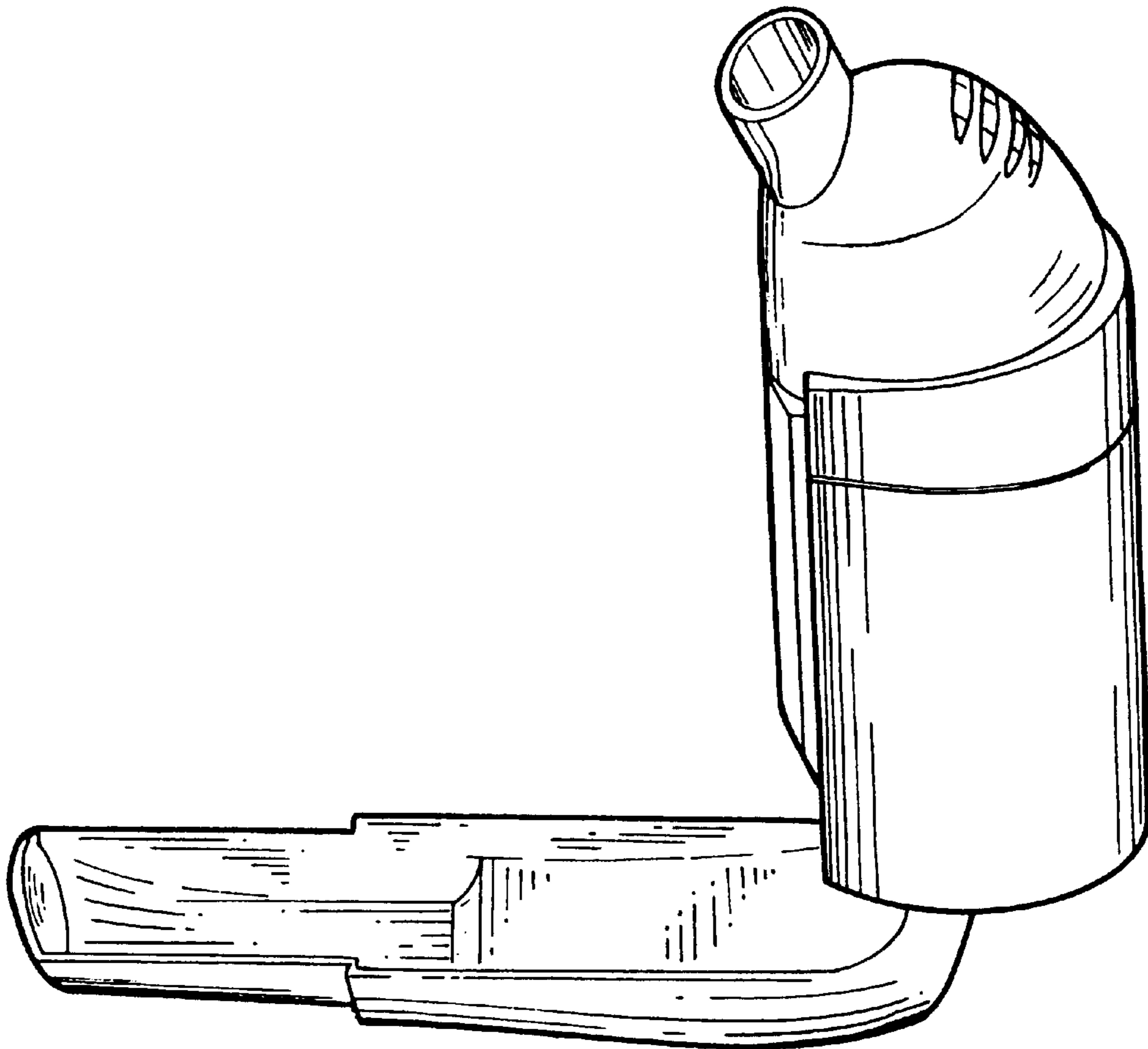


FIG. 1

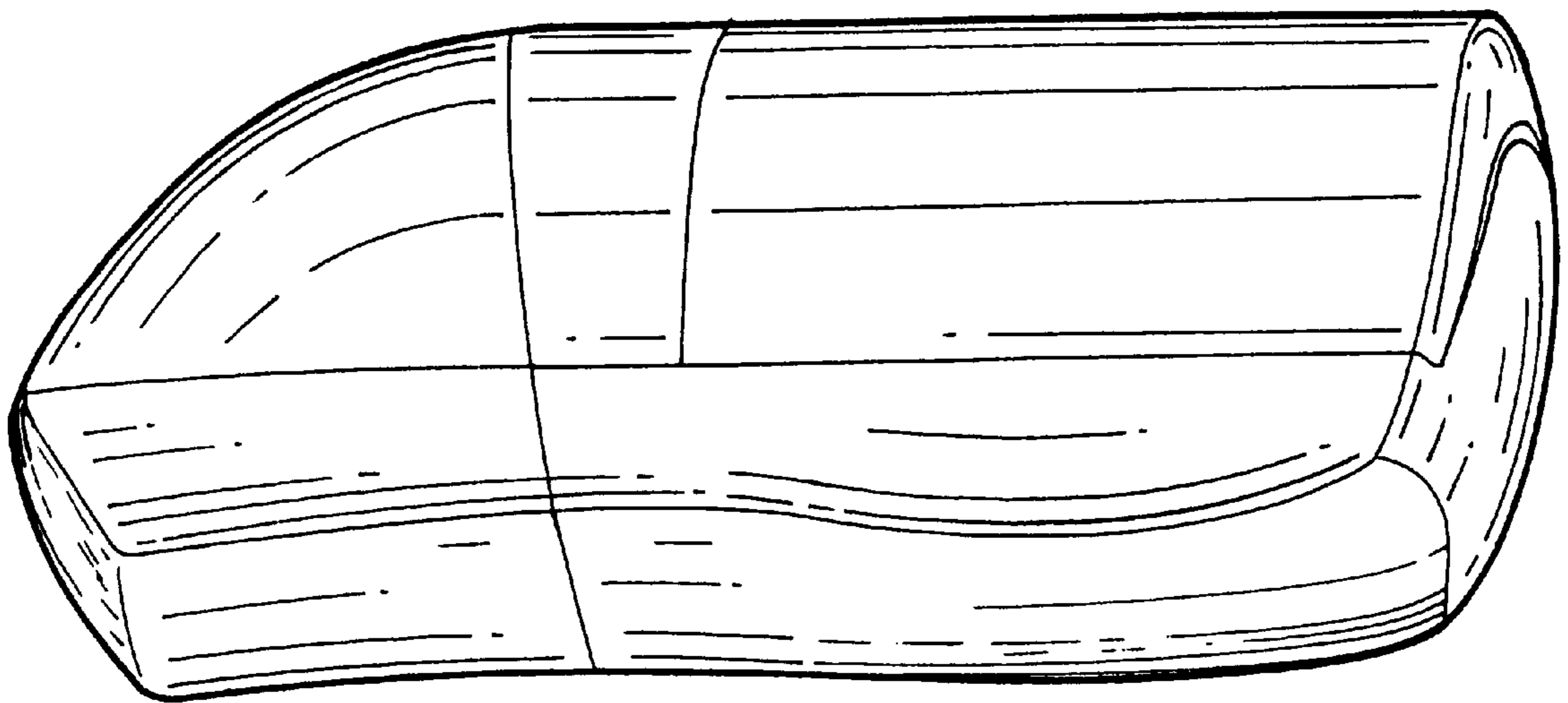


FIG. 2

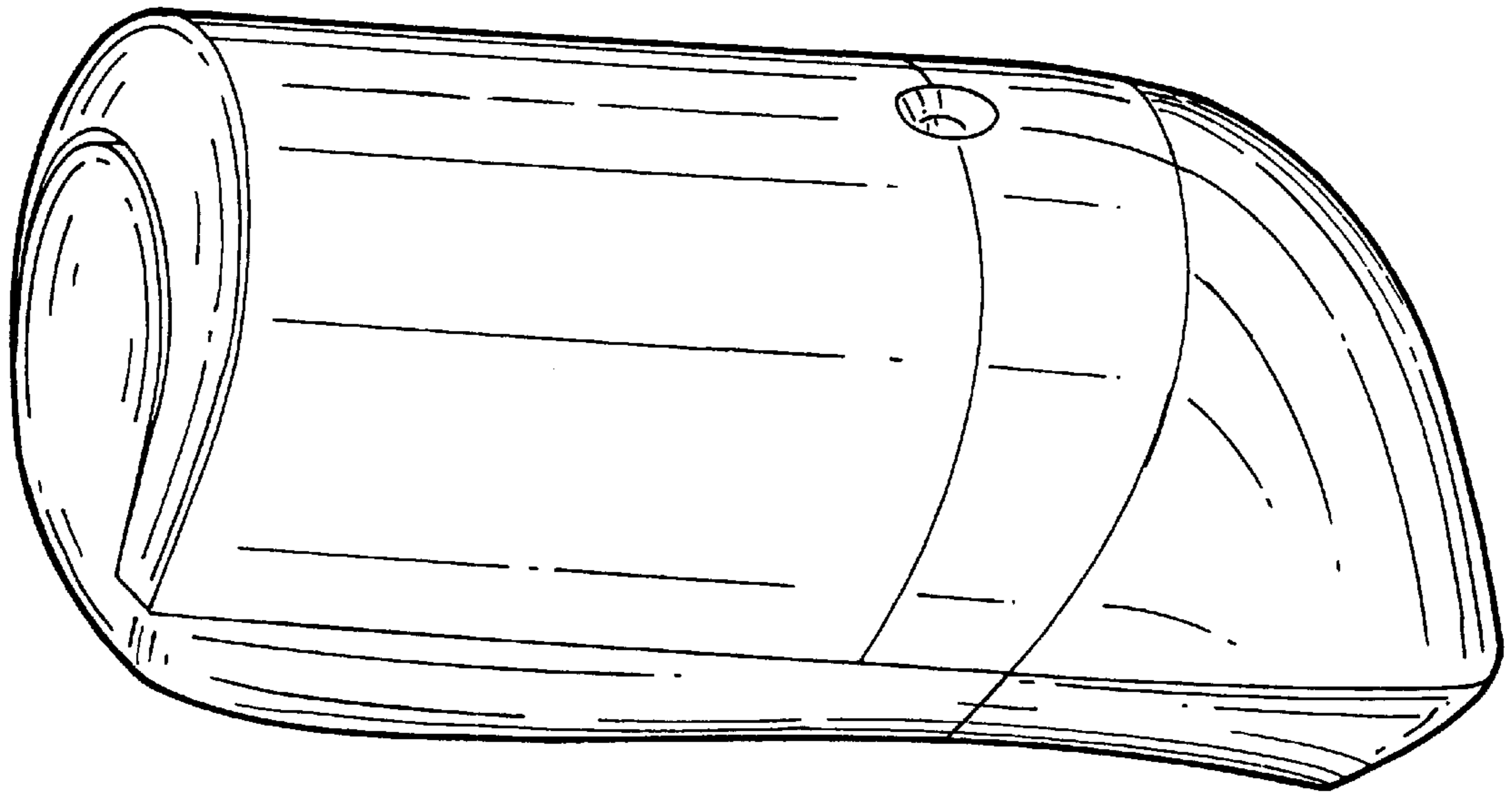


FIG. 3

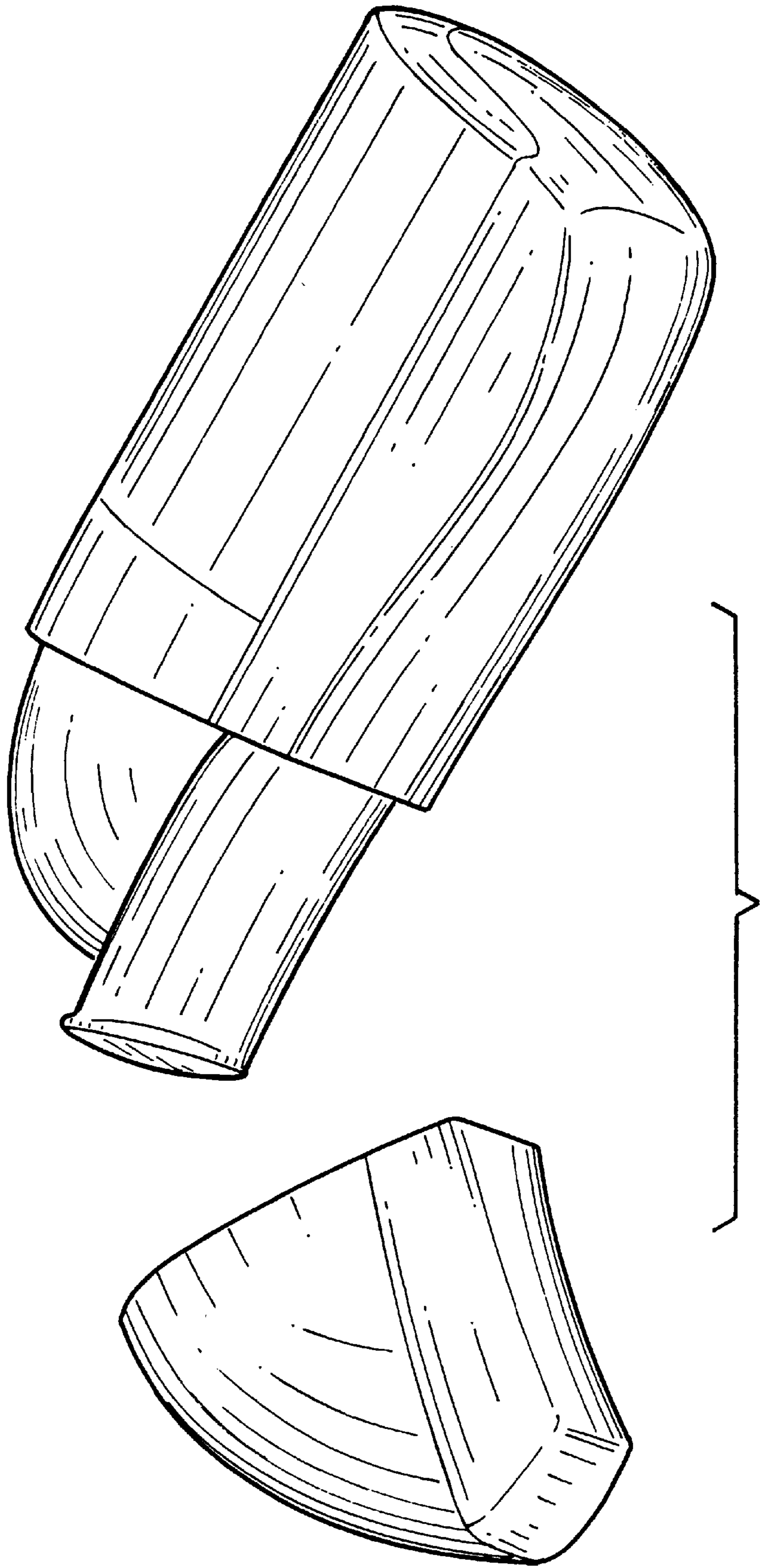


FIG. 4

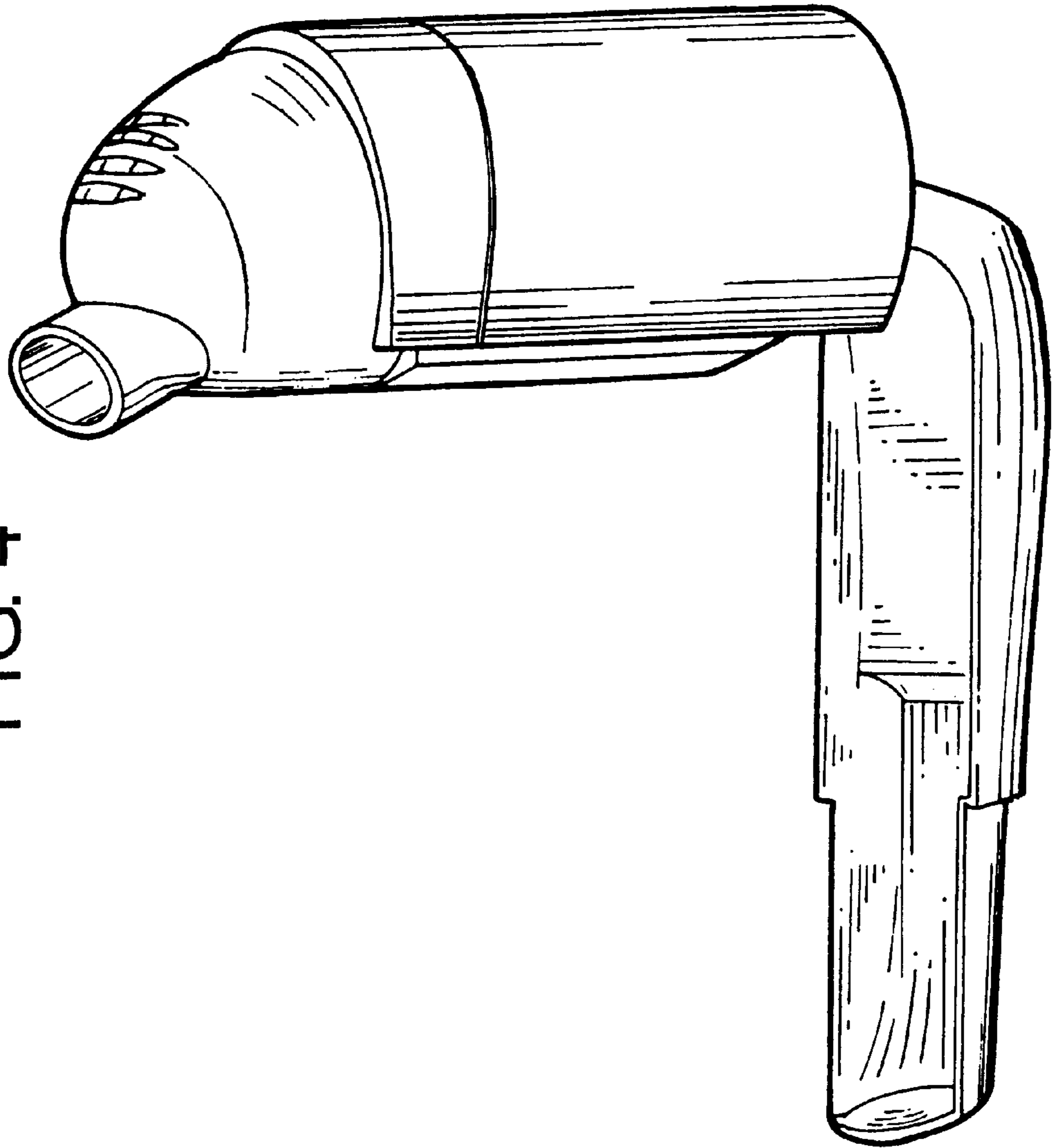


FIG. 5

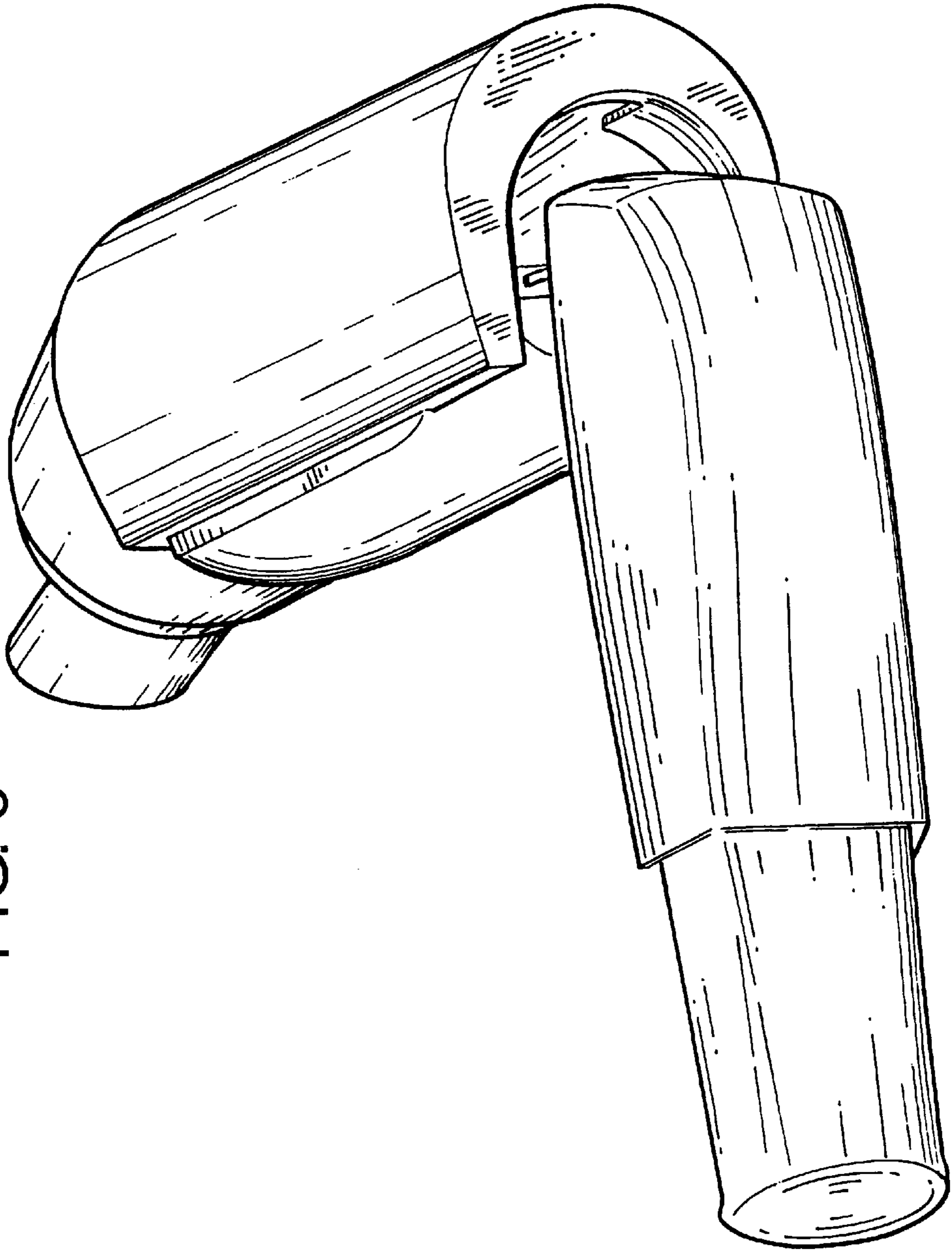


FIG. 6

