



US00D421799S

**United States Patent** [19]  
**Zuege**

[11] **Patent Number: Des. 421,799**

[45] **Date of Patent: \*\* Mar. 21, 2000**

[54] **COMBINED ADAPTOR COVER, BLADE IRONS, MOTOR HOUSING AND LIGHT FIXTURE UNIT FOR A CEILING FAN**

*Attorney, Agent, or Firm*—Garrison, Morris & Haight, PLLC

[75] Inventor: **Bradford C. Zuege**, Memphis, Tenn.

[57] **CLAIM**

[73] Assignee: **Hunter Fan Company**, Memphis, Tenn.

The ornamental design for a combined adaptor cover, blade irons, motor housing and light fixture unit for a ceiling fan, as shown and described.

[\*\*] Term: **14 Years**

**DESCRIPTION**

[21] Appl. No.: **29/103,888**

FIG. 1 is a perspective view of a combined adaptor cover, blade irons, motor housing and light fixture unit for a ceiling fan showing my new design;

[22] Filed: **Apr. 23, 1999**

[51] **LOC (6) Cl.** ..... **23-04**

FIG. 2 is an enlarged perspective view of the design shown in FIG. 1 with the environmental structure removed therefrom;

[52] **U.S. Cl.** ..... **D23/411; D23/377; D23/379; D26/59**

[58] **Field of Search** ..... D23/411, 377, D23/379, 385; 416/5; 394/362; 362/96; D26/59, 51, 72, 81–86

FIG. 3 is a front view of FIG. 2;

FIG. 4 is a right-side view of FIG. 2;

FIG. 5 is a rear view of FIG. 2;

FIG. 6 is a left-side view of FIG. 2;

FIG. 7 is a top view of FIG. 2; and,

FIG. 8 is a bottom view of FIG. 2.

[56] **References Cited**

**U.S. PATENT DOCUMENTS**

D. 314,046	1/1991	Yen	.....	D23/377
D. 328,638	8/1992	Hsieh	.....	D23/377
D. 408,492	4/1999	Thomas	.....	D23/411

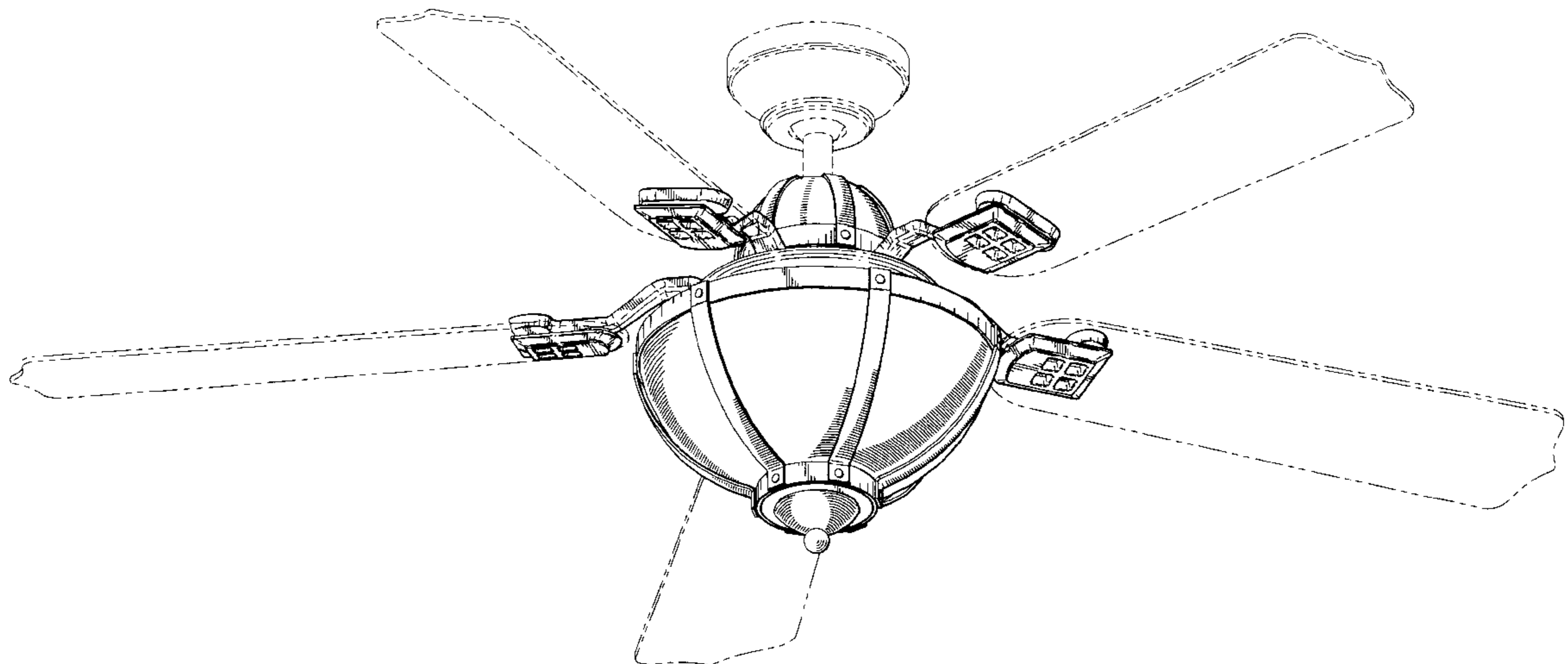
The broken line showing of environmental structure shown in FIG. 1 is for illustrative purposes only and forms no part of the claimed design.

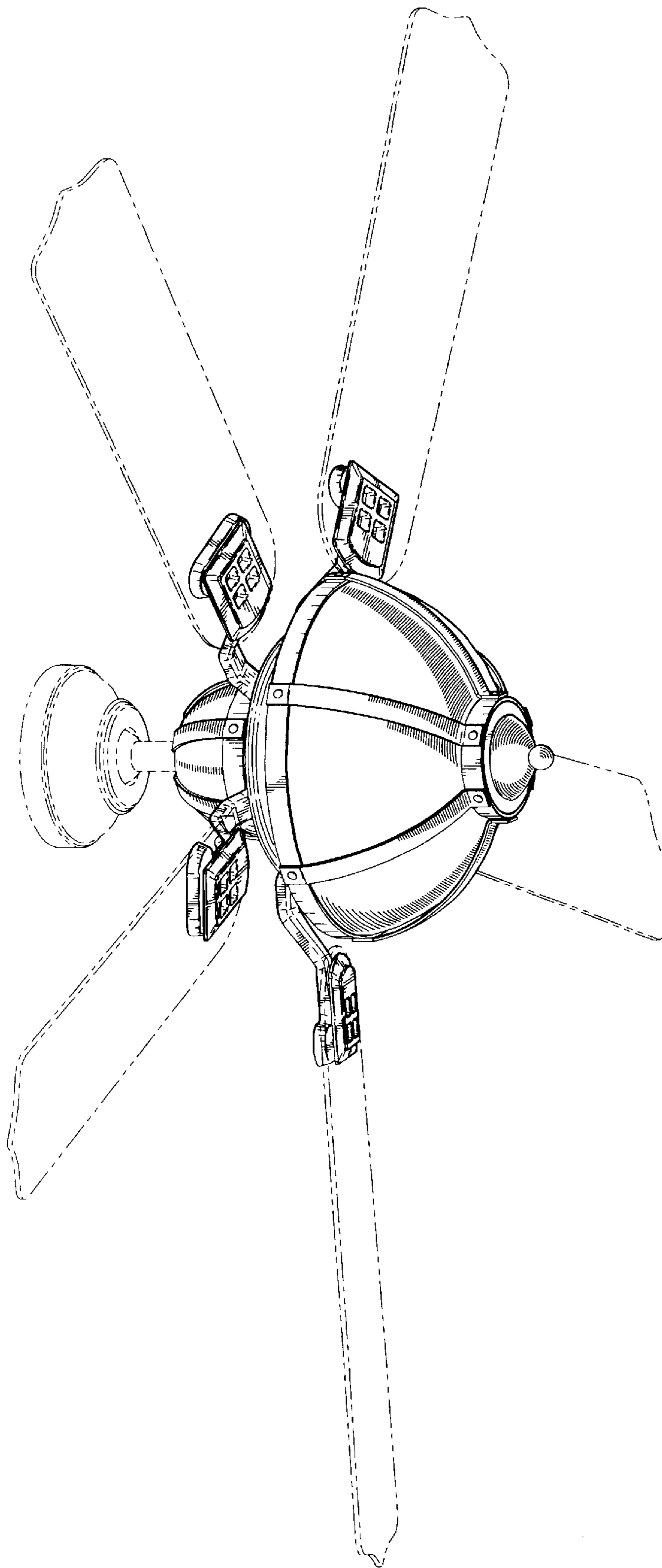
**OTHER PUBLICATIONS**

Casablanca Fan Co. Cat., p. 10, ceiling fan (a), middle right side of page.

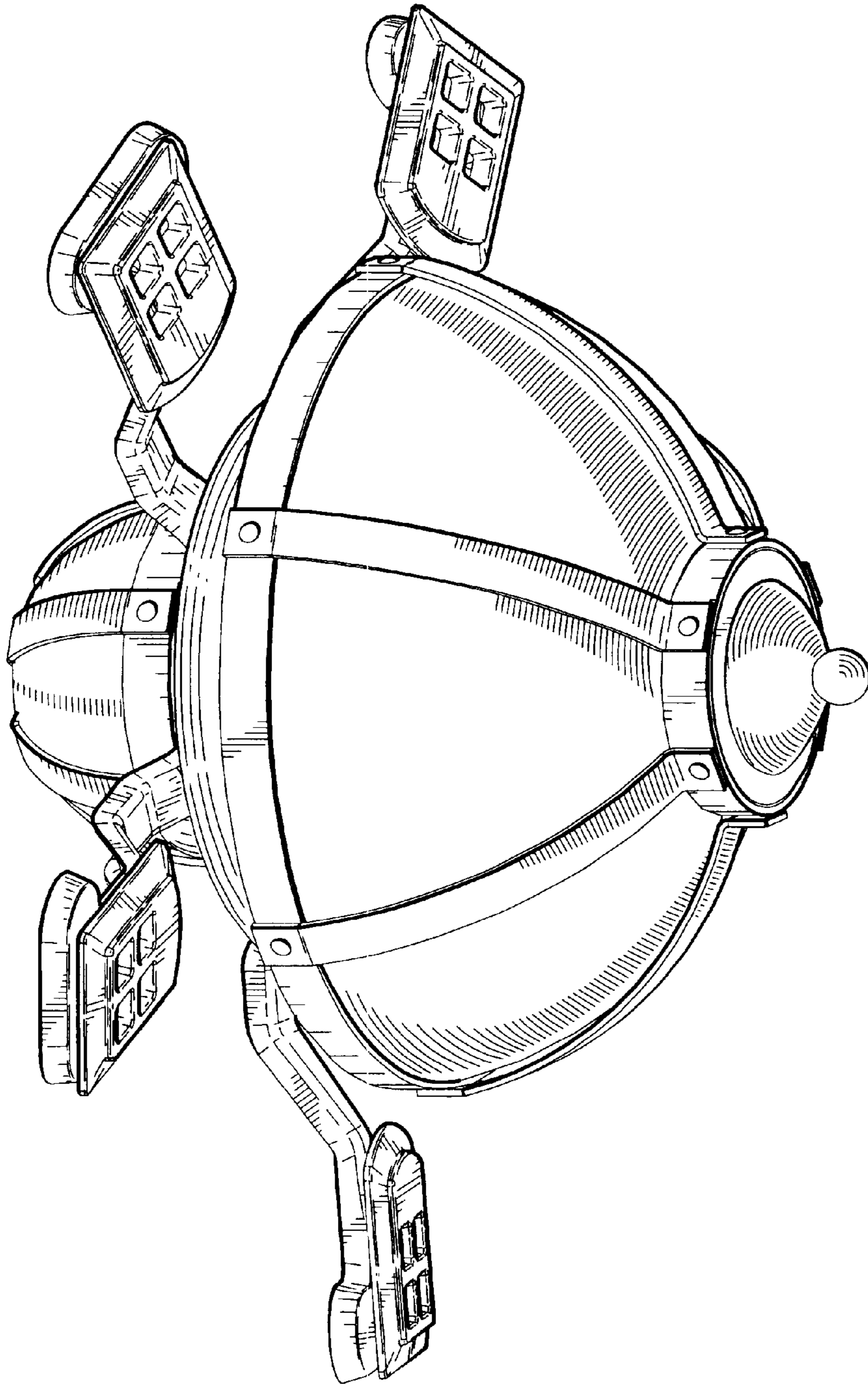
*Primary Examiner*—Lisa Lichtenstein

**1 Claim, 8 Drawing Sheets**

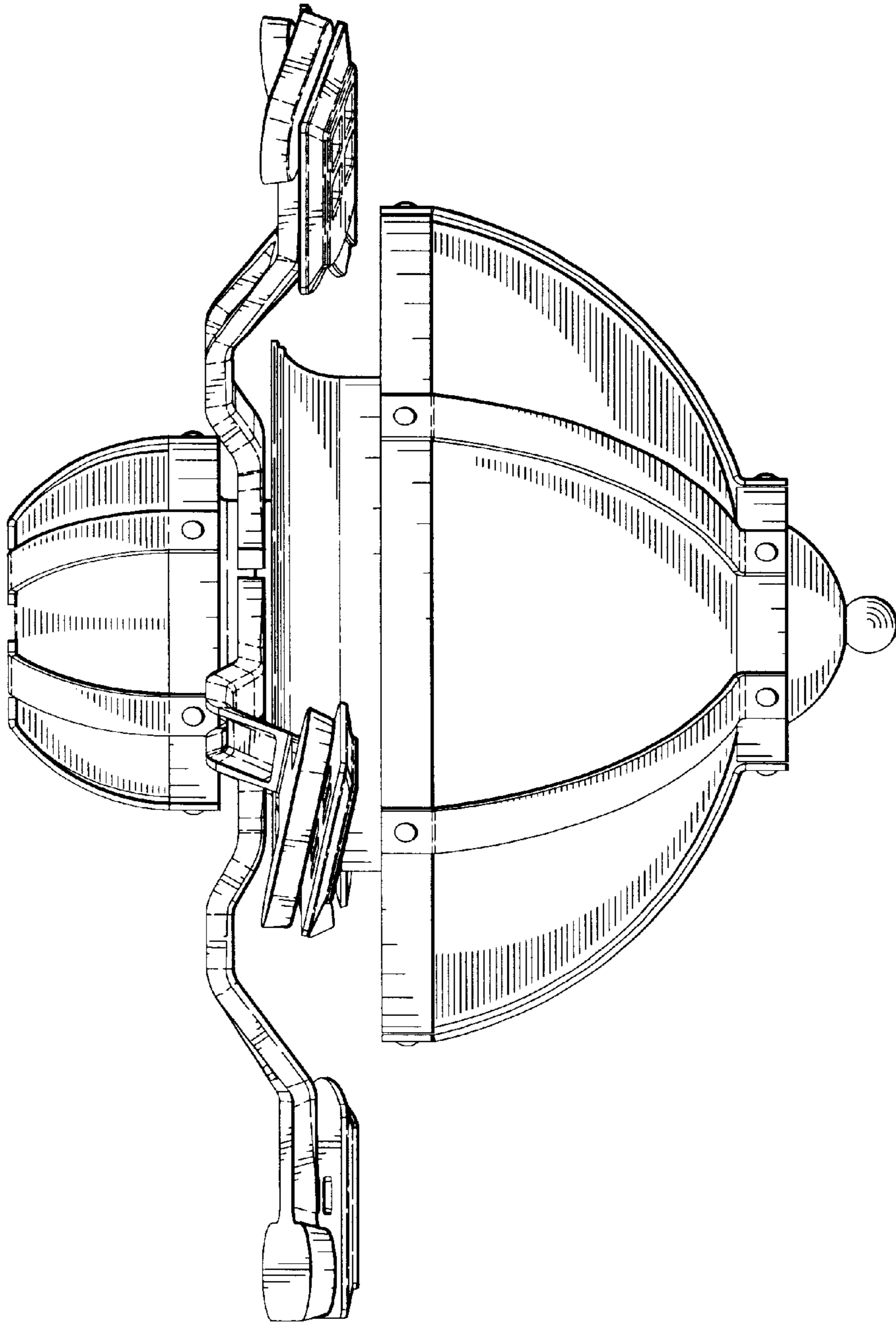




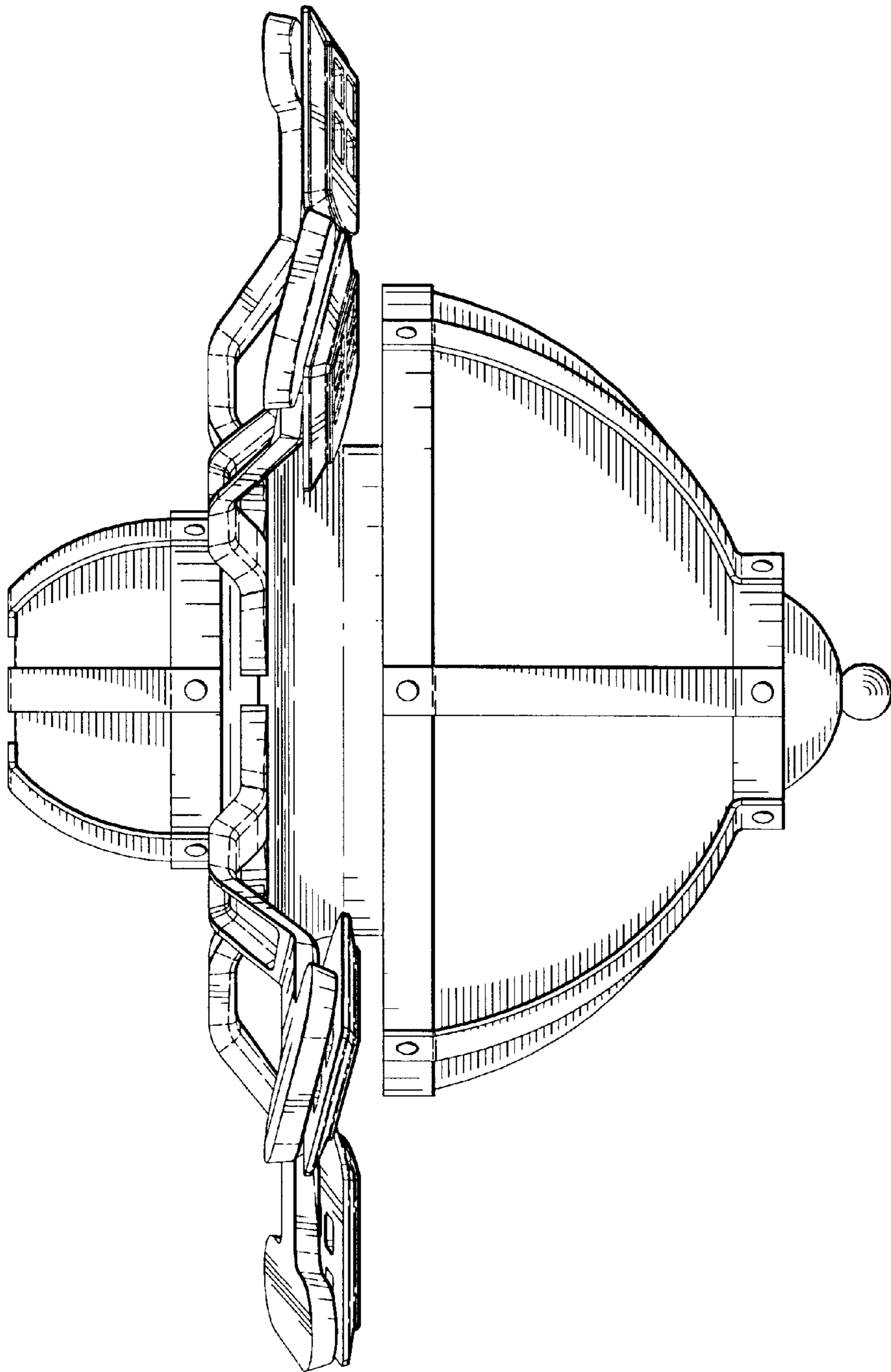
**FIG 1**



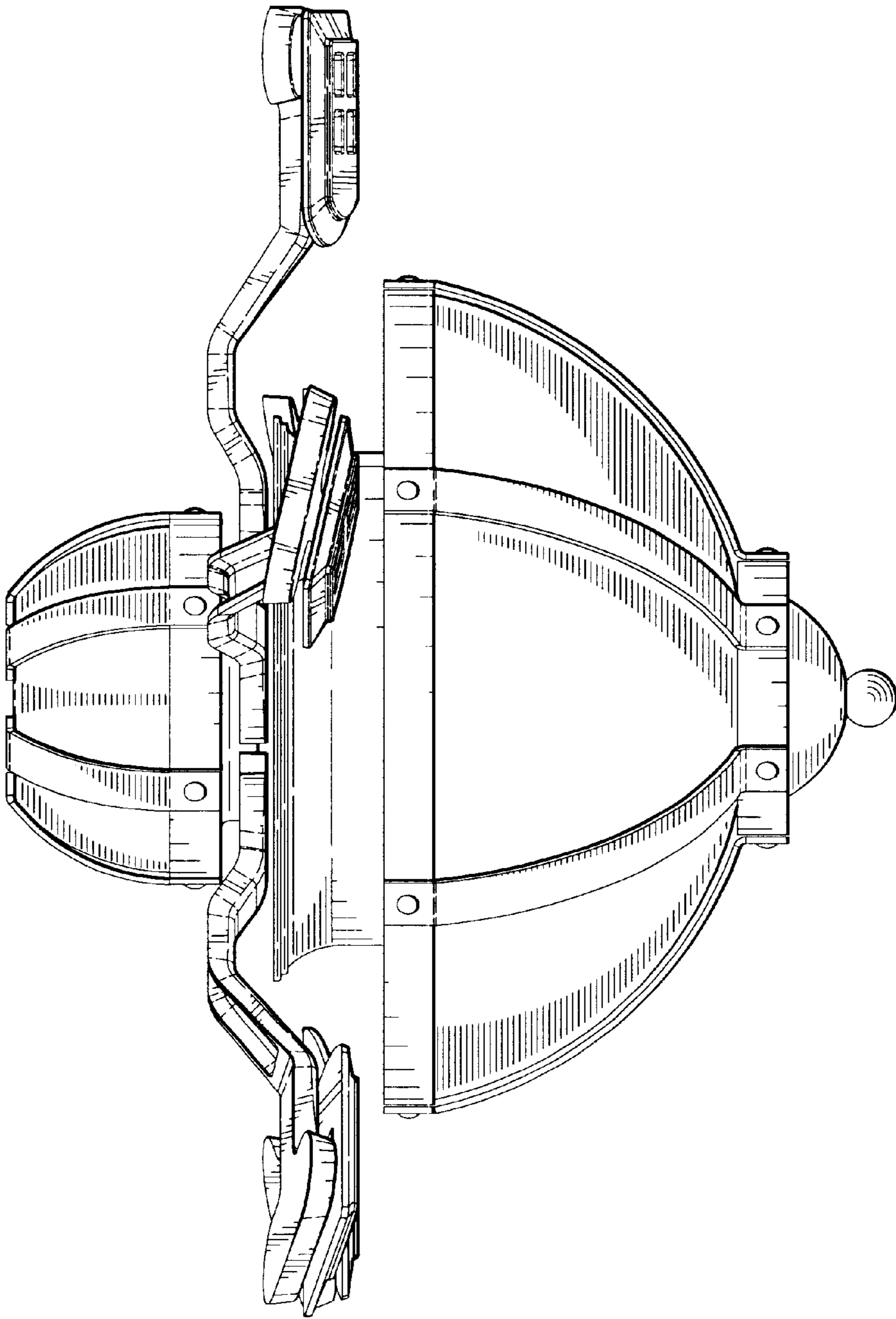
**FIG 2**



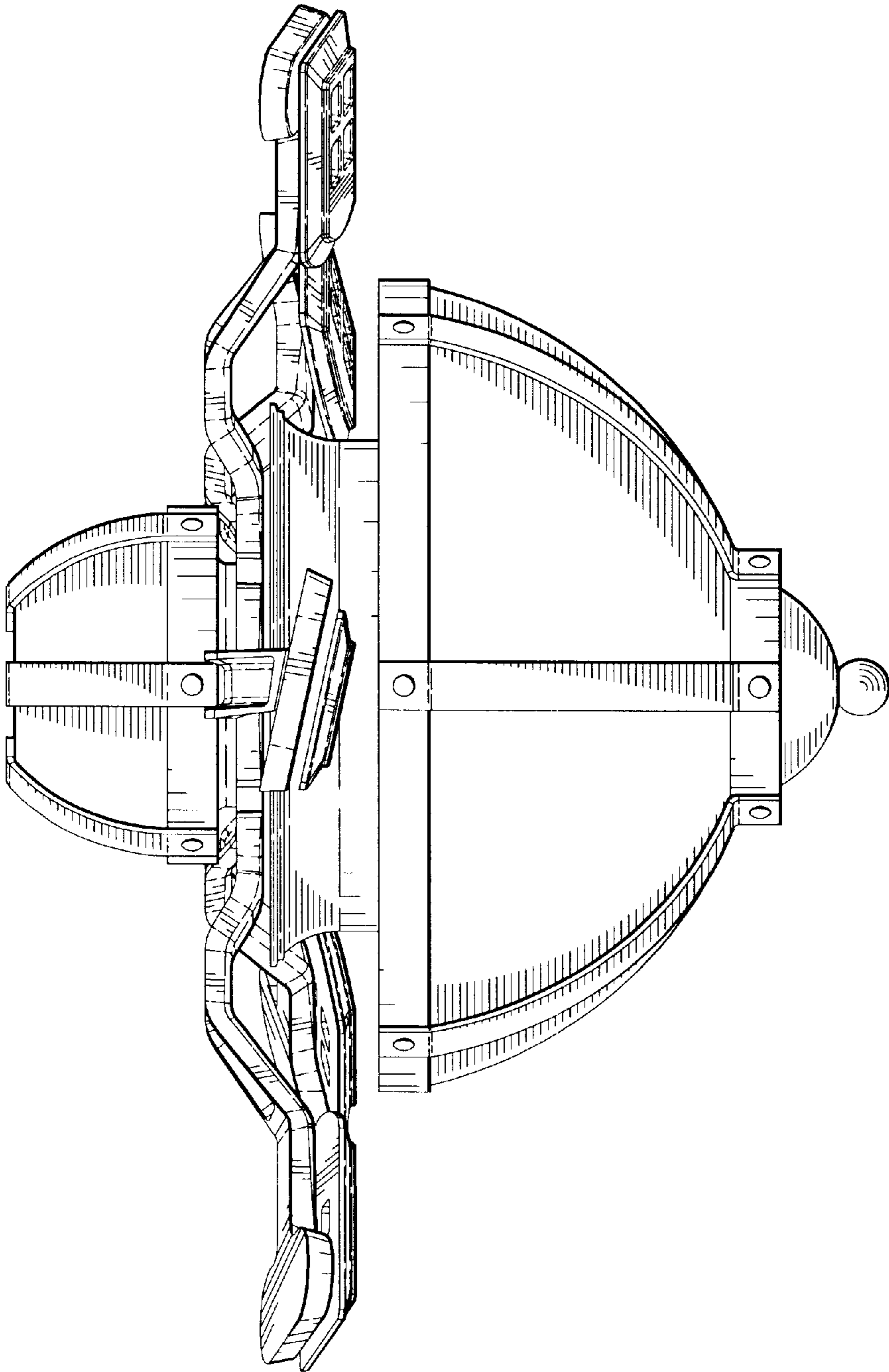
**FIG 3**



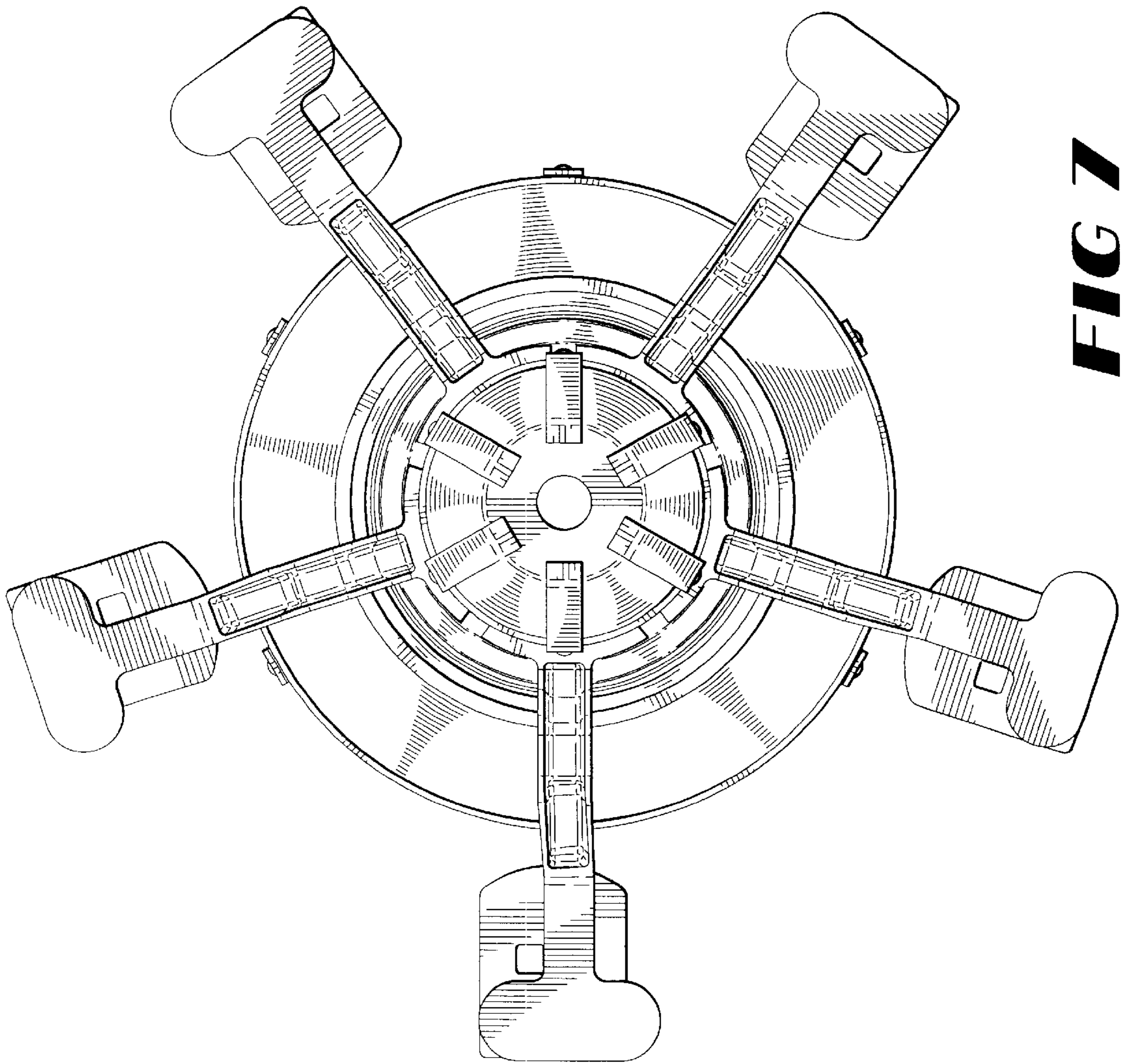
**FIG 4**



**FIG 5**

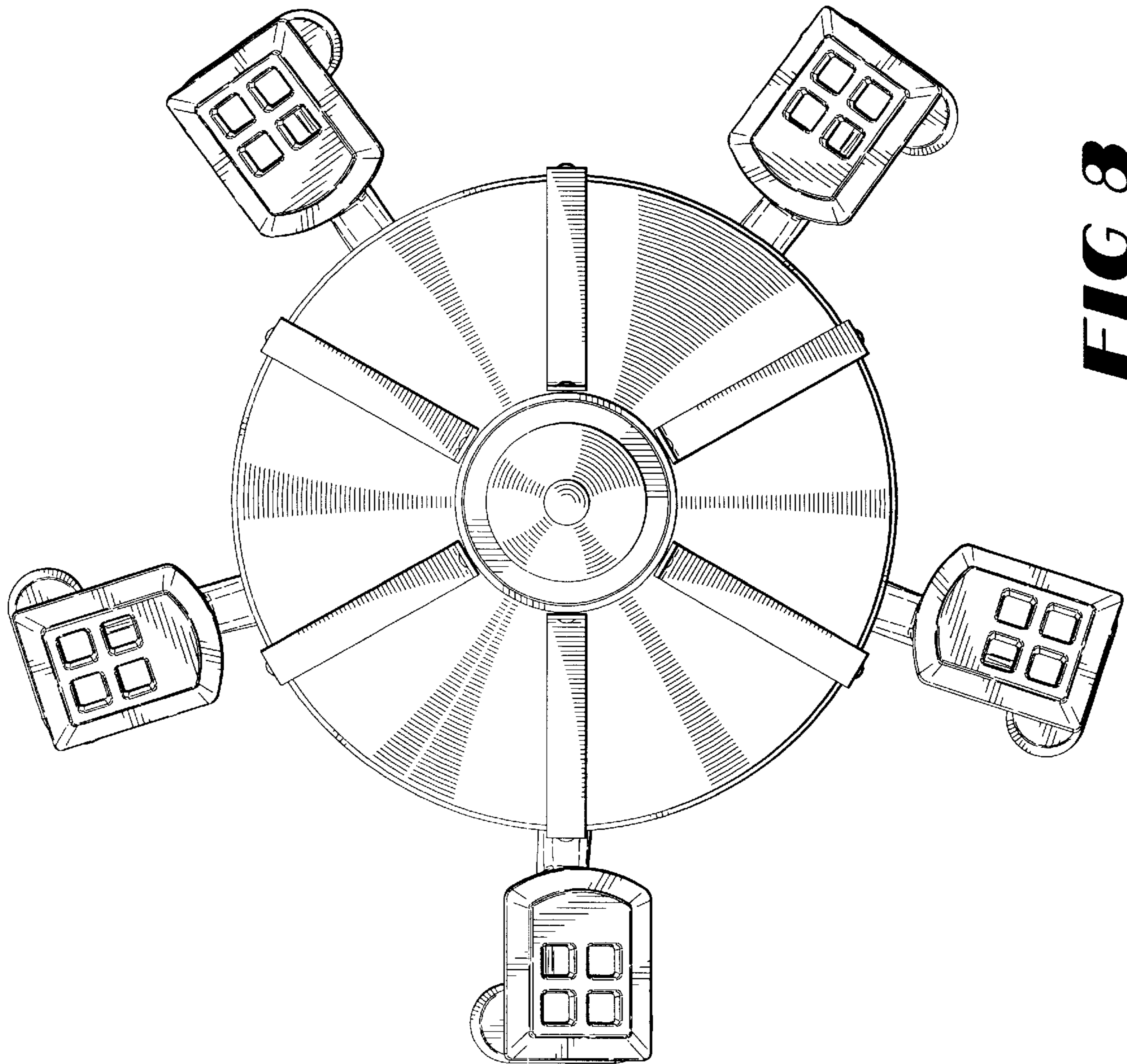


**FIG 6**



**FIG 7**





**FIG 8**