



US00D421797S

**United States Patent** [19]  
**Collmar**

[11] **Patent Number: Des. 421,797**  
[45] **Date of Patent: \*\* Mar. 21, 2000**

[54] **COMBINED CEILING FAN AND LIGHT  
FIXTURE**

D. 346,858 5/1994 Lee ..... D23/377  
D. 396,530 7/1998 Tai ..... D23/377  
4,884,947 12/1989 Rezek ..... 416/5

[75] Inventor: **Ted P. Collmar**, Corona, Calif.

*Primary Examiner*—Lisa Lichtenstein  
*Attorney, Agent, or Firm*—Sheldon & Mak

[73] Assignee: **Great 2000 Enterprises, Inc.**, Corona,  
Calif.

[\*\*] Term: **14 Years**

[57] **CLAIM**

The ornamental design for a combined ceiling fan and light  
fixture, as shown.

[21] Appl. No.: **29/100,590**

[22] Filed: **Feb. 11, 1999**

**DESCRIPTION**

[51] **LOC (6) Cl.** ..... **23-04**

FIG. 1 is a top/side perspective view of a combined ceiling  
fan and light fixture showing my new design;

[52] **U.S. Cl.** ..... **D23/377; D23/379; D23/385;**  
D26/59

FIG. 2 is a right side view thereof;

[58] **Field of Search** ..... D23/377, 379,  
D23/385, 411, 413; 362/96; D26/59; 416/5;  
392/364

FIG. 3 is a left side view thereof;

FIG. 4 is a side/bottom perspective view thereof;

FIG. 5 is a top elevational view thereof; and,

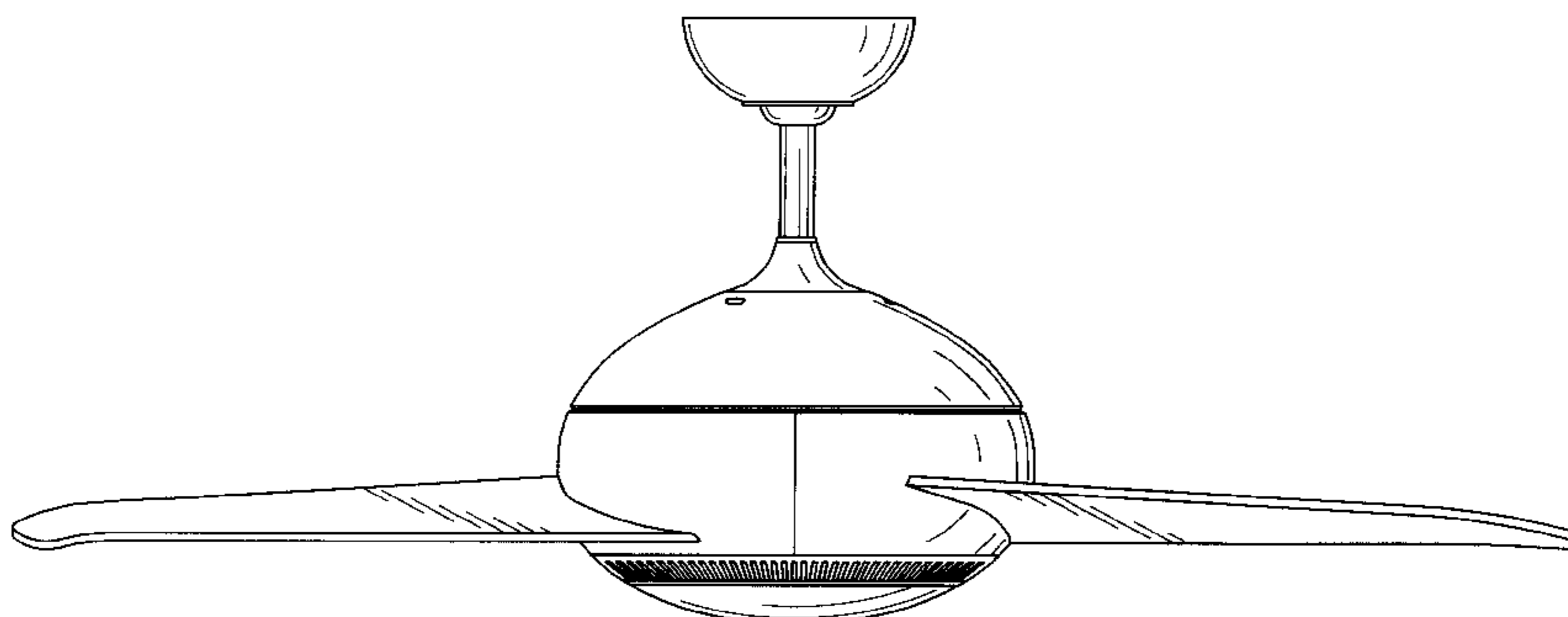
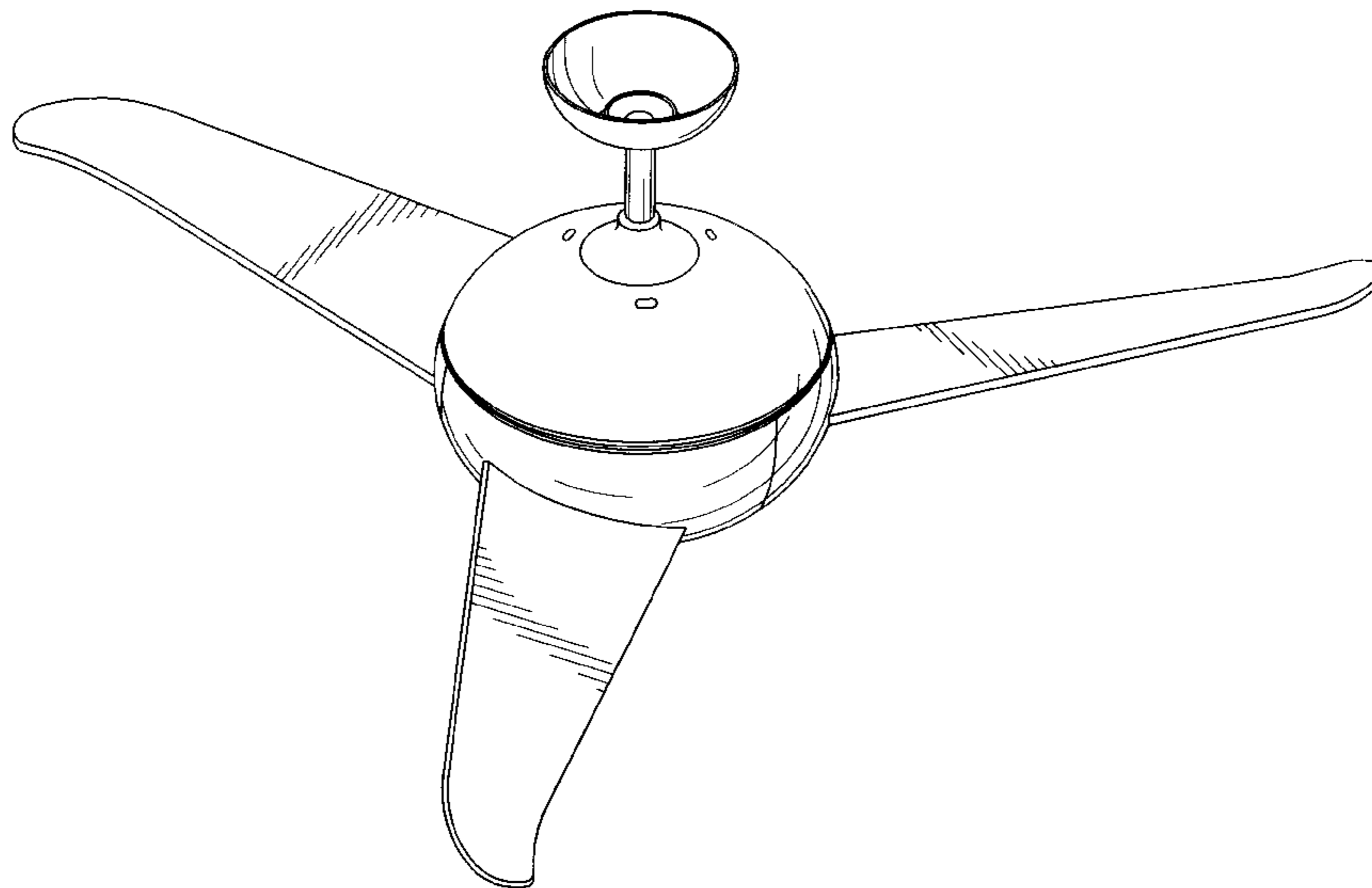
FIG. 6 is a bottom view thereof.

[56] **References Cited**

**U.S. PATENT DOCUMENTS**

D. 324,266 2/1992 Holbrook ..... D23/411

**1 Claim, 6 Drawing Sheets**



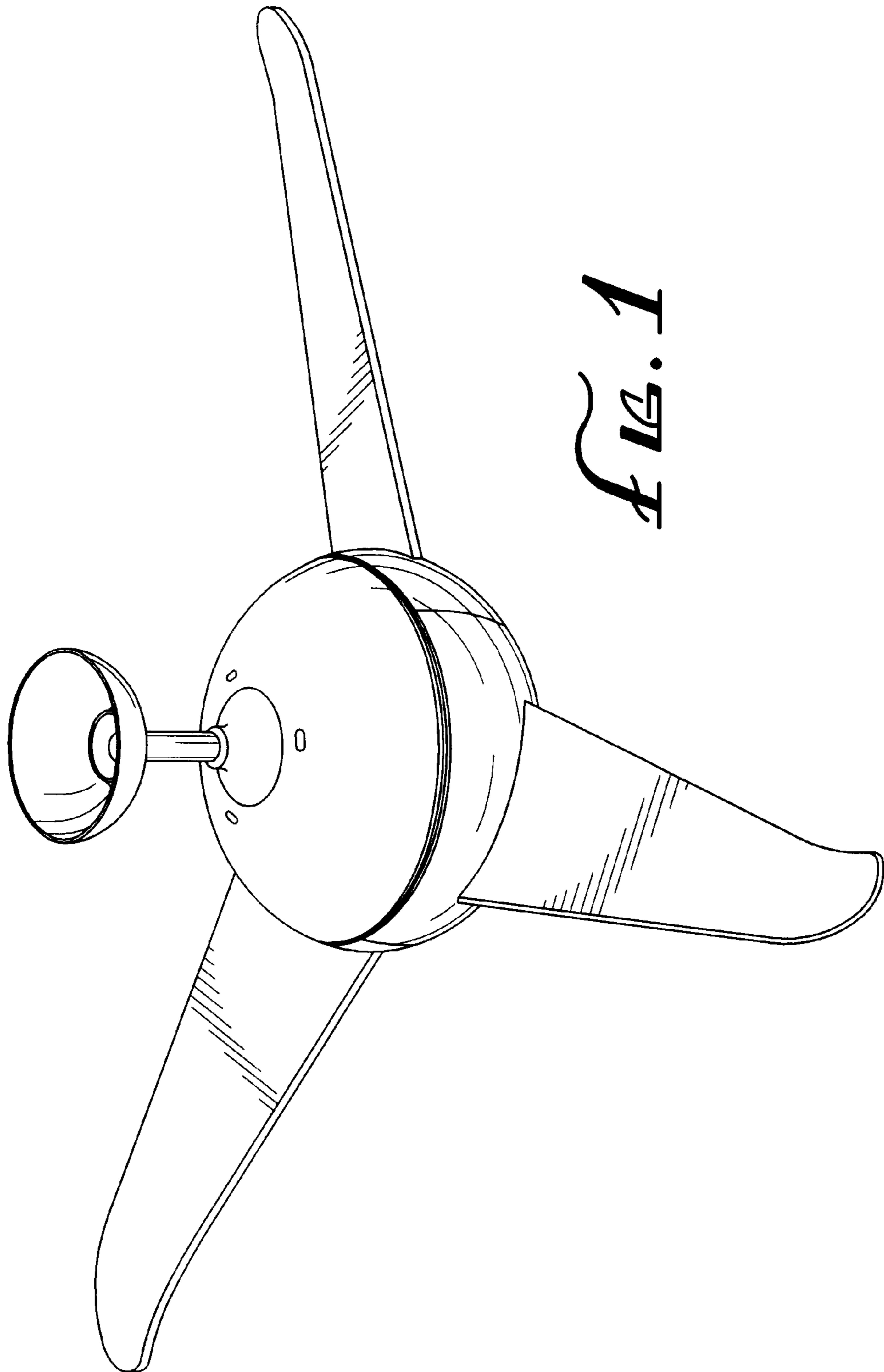


FIG. 1

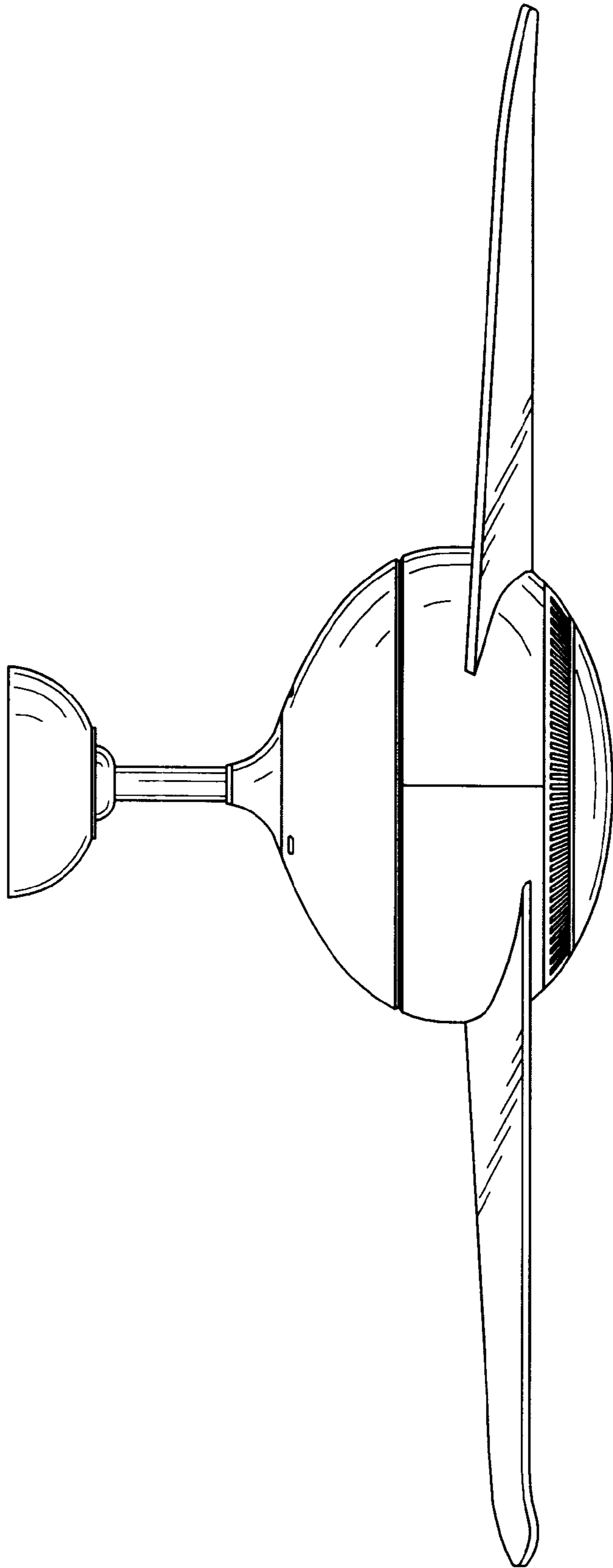


FIG. 2

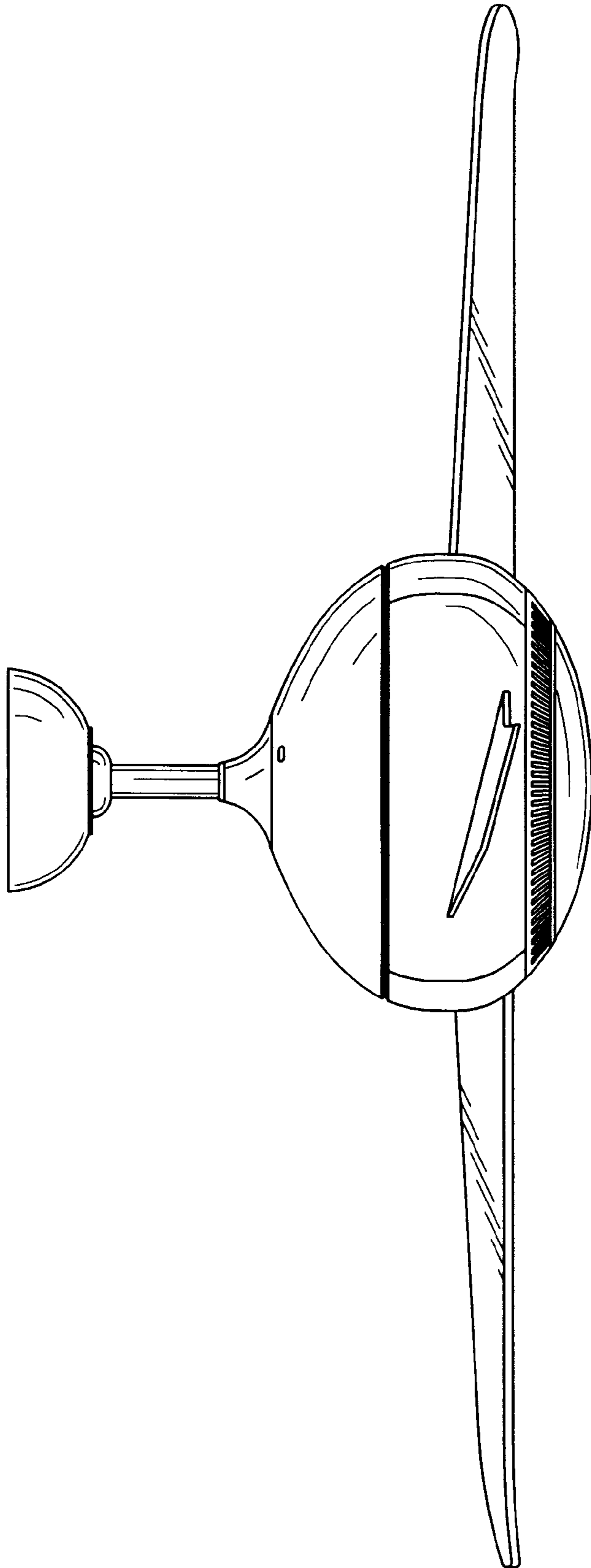


Fig. 3

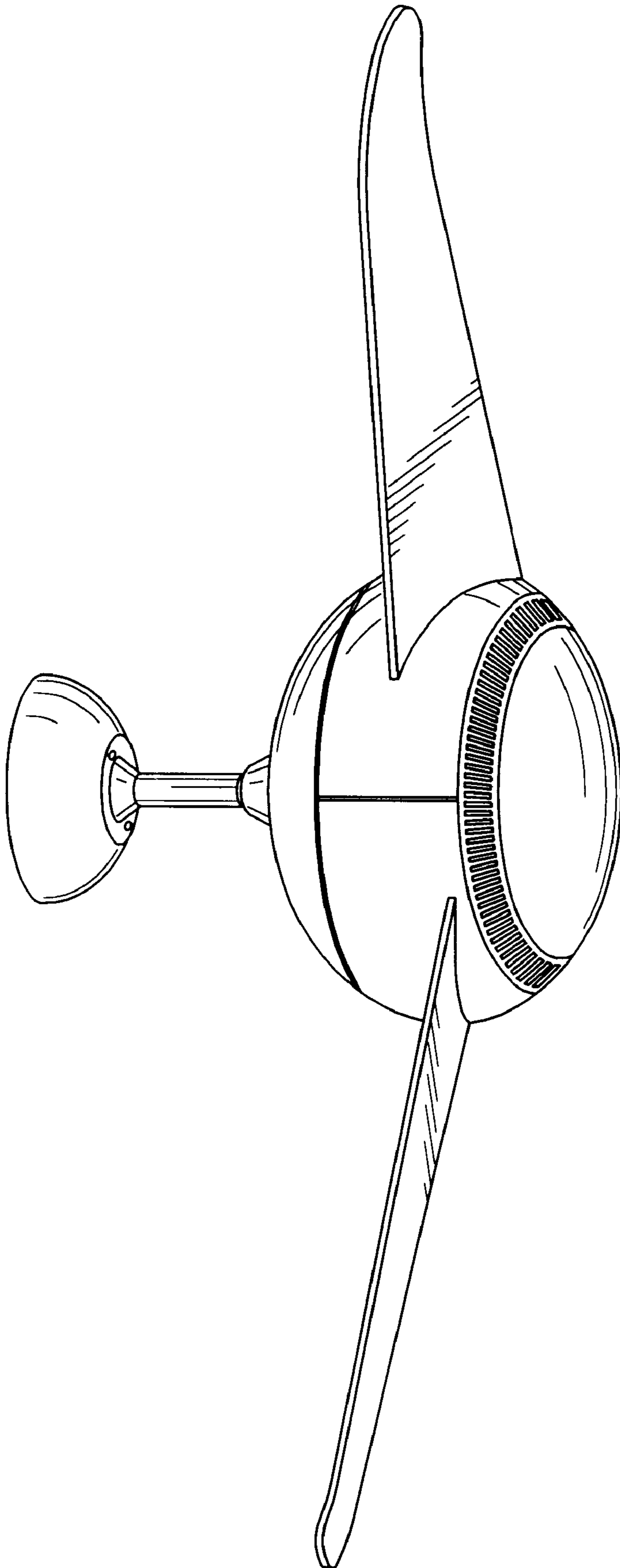
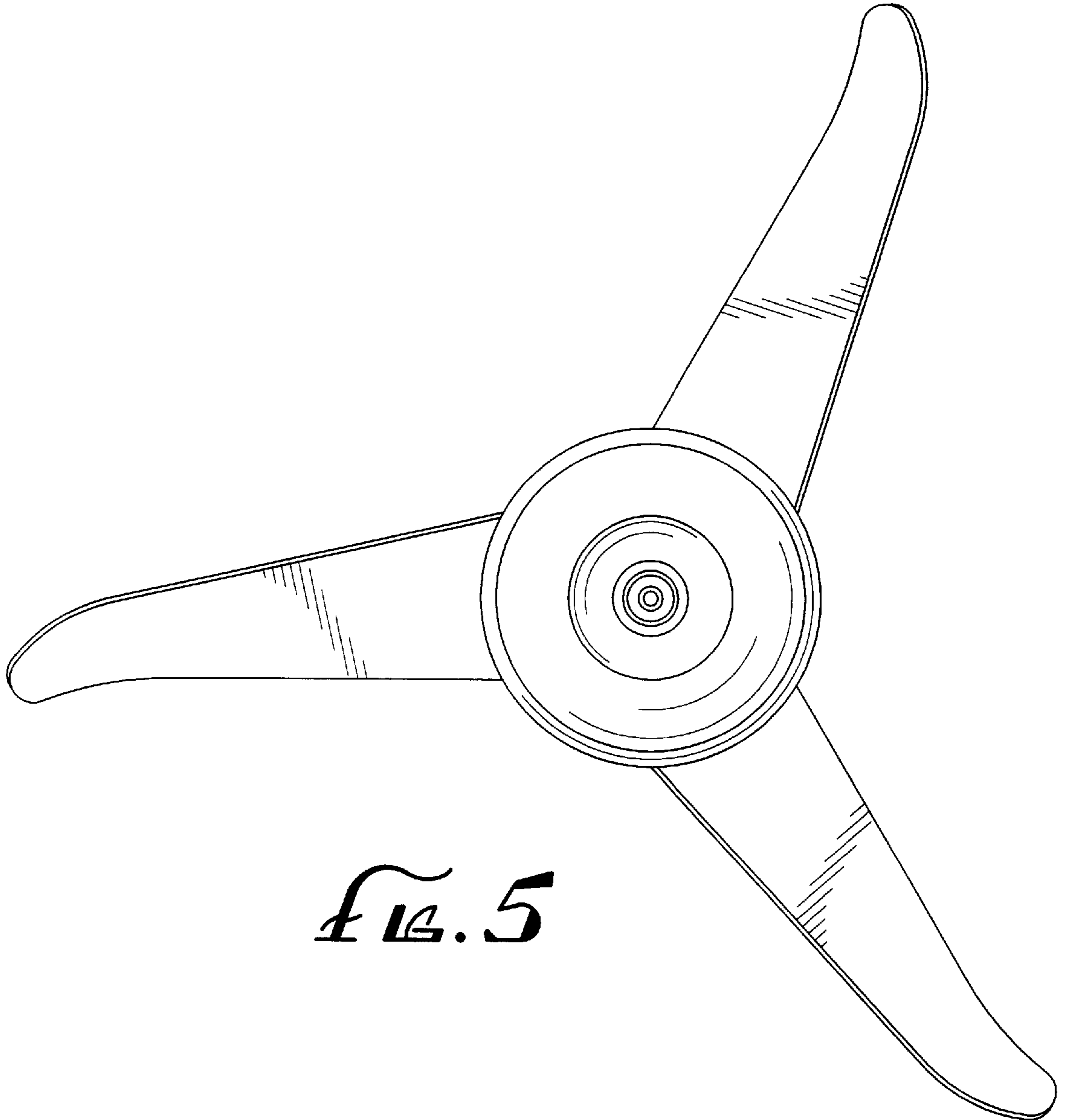
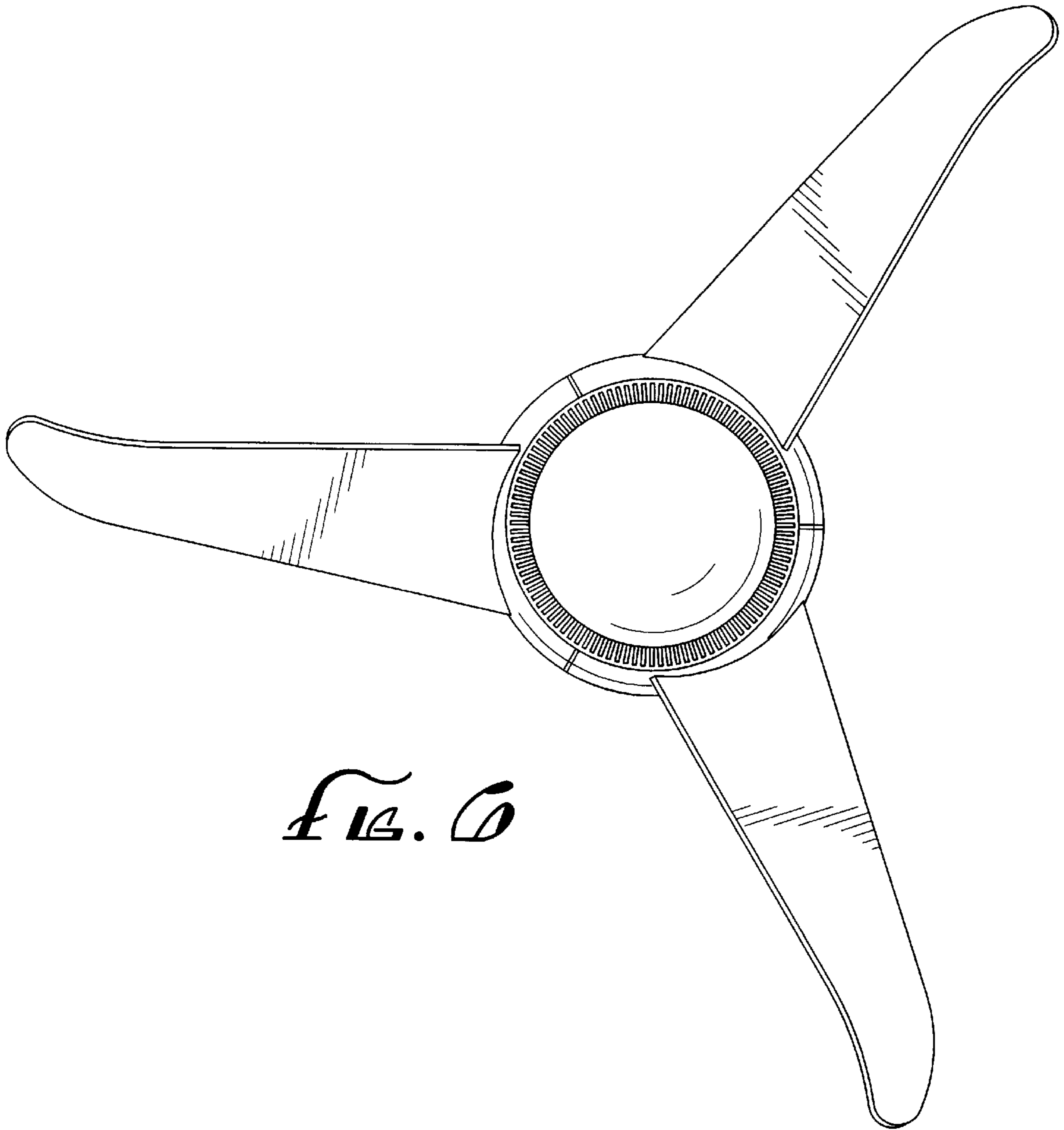


FIG. A



*FIG. 5*



*FIG. 6*