



US00D421795S

United States Patent [19]

French et al.

[11] Patent Number: **Des. 421,795**

[45] Date of Patent: **** Mar. 21, 2000**

[54] **GAS FIREPLACE FRONT**

[75] Inventors: **John T. French**, Los Angeles;
Raymond G. Smith, Pasadena; **Marcel De Jong**, Yorba Linda, all of Calif.

[73] Assignee: **Superior Fireplace Company**, Fullerton, Calif.

[**] Term: **14 Years**

[21] Appl. No.: **29/073,211**

[22] Filed: **Jul. 3, 1997**

Related U.S. Application Data

[62] Division of application No. 29/061,216, Oct. 18, 1996, Pat. No. Des. 390,936.

[51] **LOC (6) Cl.** **23-03**

[52] **U.S. Cl.** **D23/350**

[58] **Field of Search** D23/342-344,
D23/347, 350; 126/547, 92 AC, 92 B, 91 R,
200

[56] **References Cited**

U.S. PATENT DOCUMENTS

D. 270,086 8/1983 Schoeff D23/343

OTHER PUBLICATIONS

Squire Stove Adv Brochure, Woodstove (A), p. 4.

Primary Examiner—Lisa Lichtenstein
Attorney, Agent, or Firm—Christie, Parker & Hale, LLP

[57] **CLAIM**

The ornamental design for a gas fireplace front, as shown and described.

DESCRIPTION

FIG. 1 is a perspective view of the gas fireplace front; and, FIG. 2 is a top plan view thereof.

The broken line showing of environmental structure is for illustrative purposes only and forms no part of the claimed design.

1 Claim, 1 Drawing Sheet

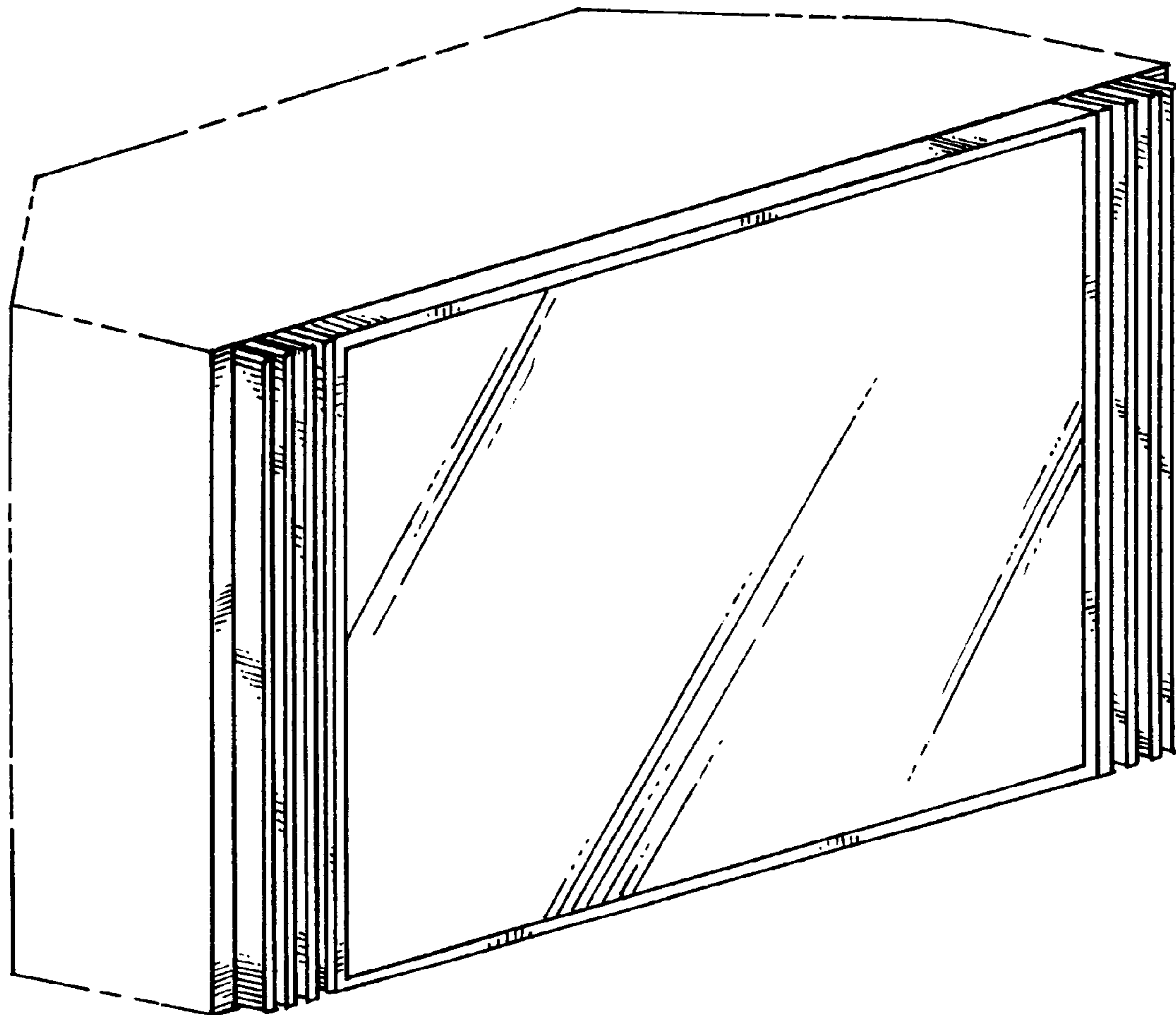


Fig. 1

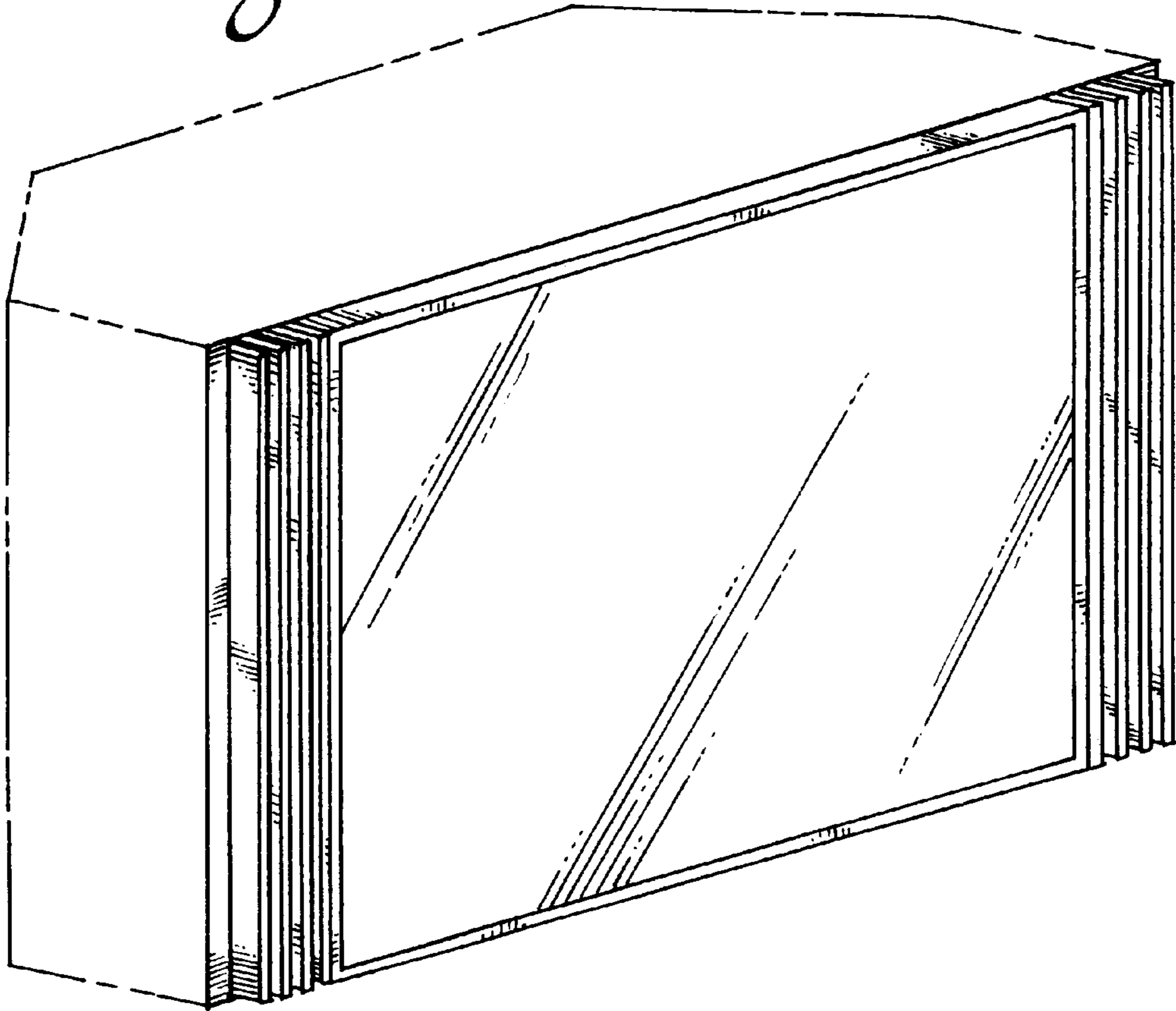
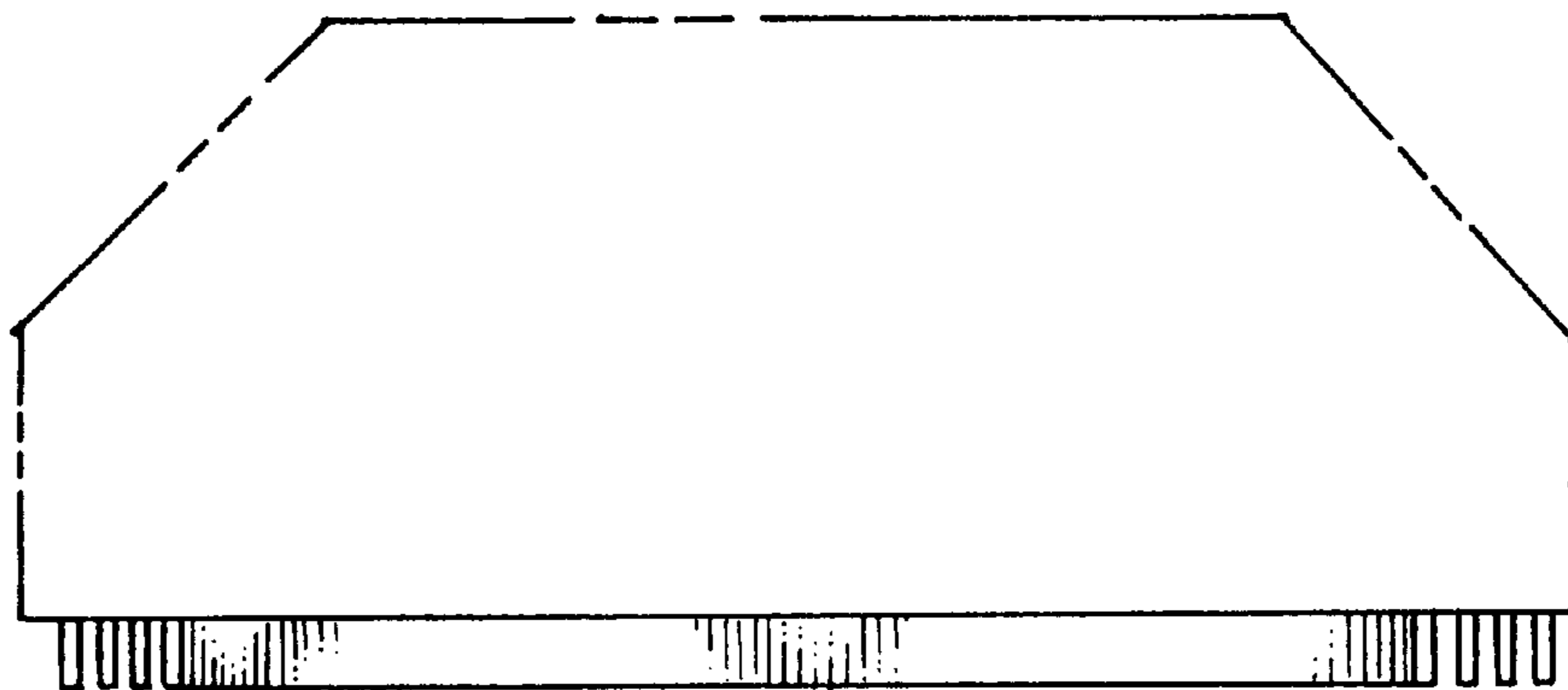


Fig. 2



UNITED STATES PATENT AND TRADEMARK OFFICE
CERTIFICATE OF CORRECTION

PATENT NO. : Des. 421,795
DATED : March 21, 2000
INVENTOR(S) : John T. French; Raymond G. Smith; Marcel De Jong

Page 1 of 1

It is certified that error appears in the above-identified patent and that said Letters Patent is hereby corrected as shown below:

Description, FIG. 2 should read:

-- FIG. 2 is a top plan view thereof, the bottom being a mirror image of that shown. --

Signed and Sealed this

Twenty-eighth Day of August, 2001

Attest:

Nicholas P. Godici

Attesting Officer

NICHOLAS P. GODICI
Acting Director of the United States Patent and Trademark Office