



US00D421792S

**United States Patent** [19]  
**Bevacco**

[11] **Patent Number: Des. 421,792**  
[45] **Date of Patent: \*\* Mar. 21, 2000**

[54] **TWO PIECE MECHANICAL PLUG ASSEMBLY**

4,506,705 3/1985 Thompson .  
5,803,126 9/1998 Zaro ..... 138/89

[75] Inventor: **Marc P. Bevacco**, Corcoran, Minn.

*Primary Examiner*—Alan P. Douglas  
*Assistant Examiner*—Reid Hecker  
*Attorney, Agent, or Firm*—Anthony G. Eggink

[73] Assignee: **Cherne Industries Incorporated**,  
Minneapolis, Minn.

[57] **CLAIM**

[\*\*] Term: **14 Years**

The ornamental design for a two piece mechanical plug assembly, as shown and described.

[21] Appl. No.: **29/097,864**

**DESCRIPTION**

[22] Filed: **Dec. 16, 1998**

[51] **LOC (6) Cl.** ..... **23-01**

[52] **U.S. Cl.** ..... **D23/260**

[58] **Field of Search** ..... D23/260; 138/89,  
138/90

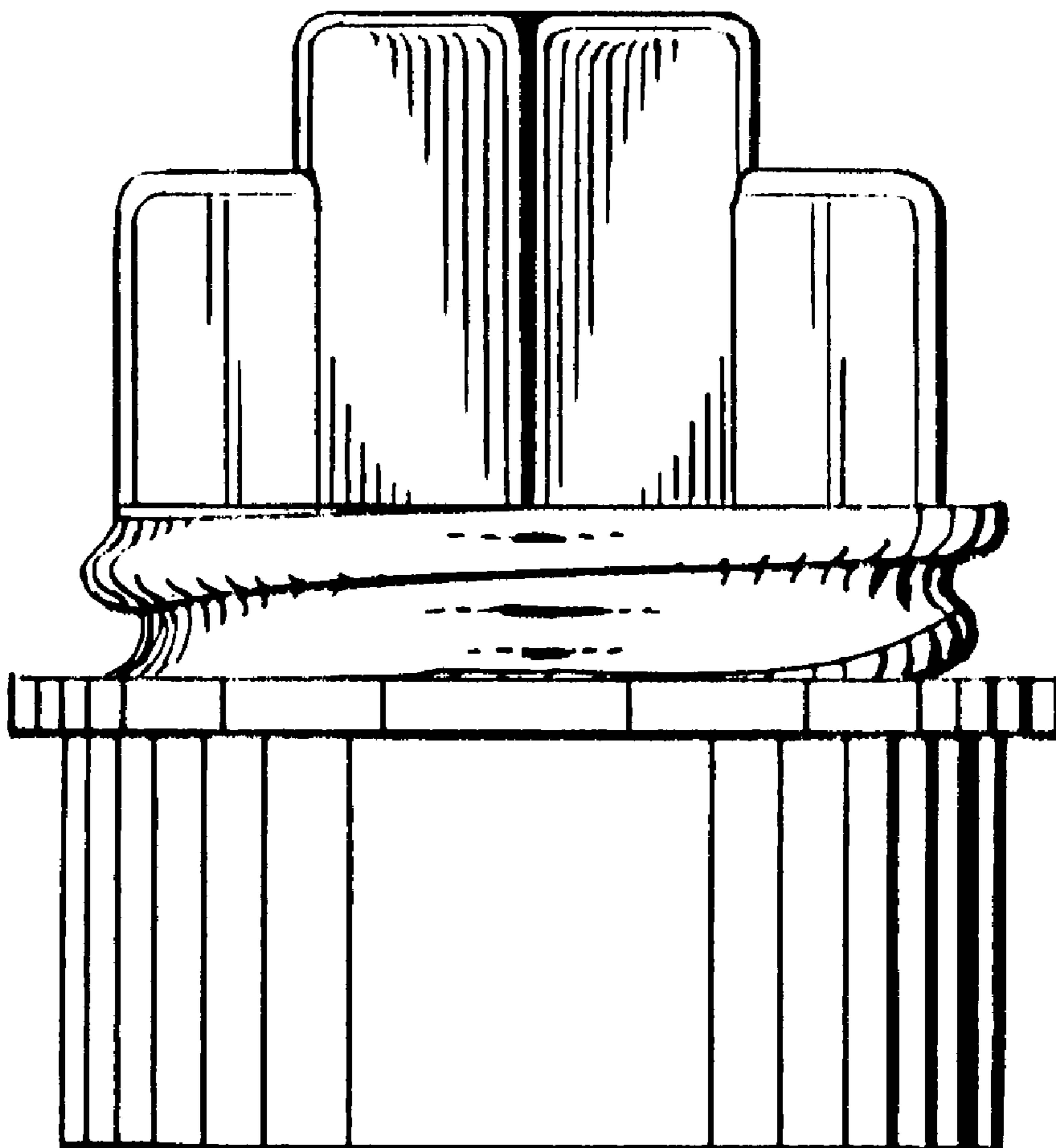
FIG. 1 is a front view of the two piece mechanical plug assembly of the present invention;  
FIG. 2 is a rear view thereof;  
FIG. 3 is a side view thereof;  
FIG. 4 is a side view and showing the side opposite that of FIG. 3 thereof;  
FIG. 5 is the top view thereof;  
FIG. 6 is a bottom view thereof; and,  
FIG. 7 is a view showing the rigid body member of the two piece mechanical plug separated from the flexible seal member.

[56] **References Cited**

**U.S. PATENT DOCUMENTS**

D. 209,377	11/1967	Pomroy	.....	D23/260
D. 363,767	10/1995	Swaim	.....	D23/260
D. 404,472	1/1999	Tiele	.....	D23/260
936,444	10/1909	Gillon	.....	138/89
3,821,969	7/1974	Sinko	.....	138/89

**1 Claim, 2 Drawing Sheets**



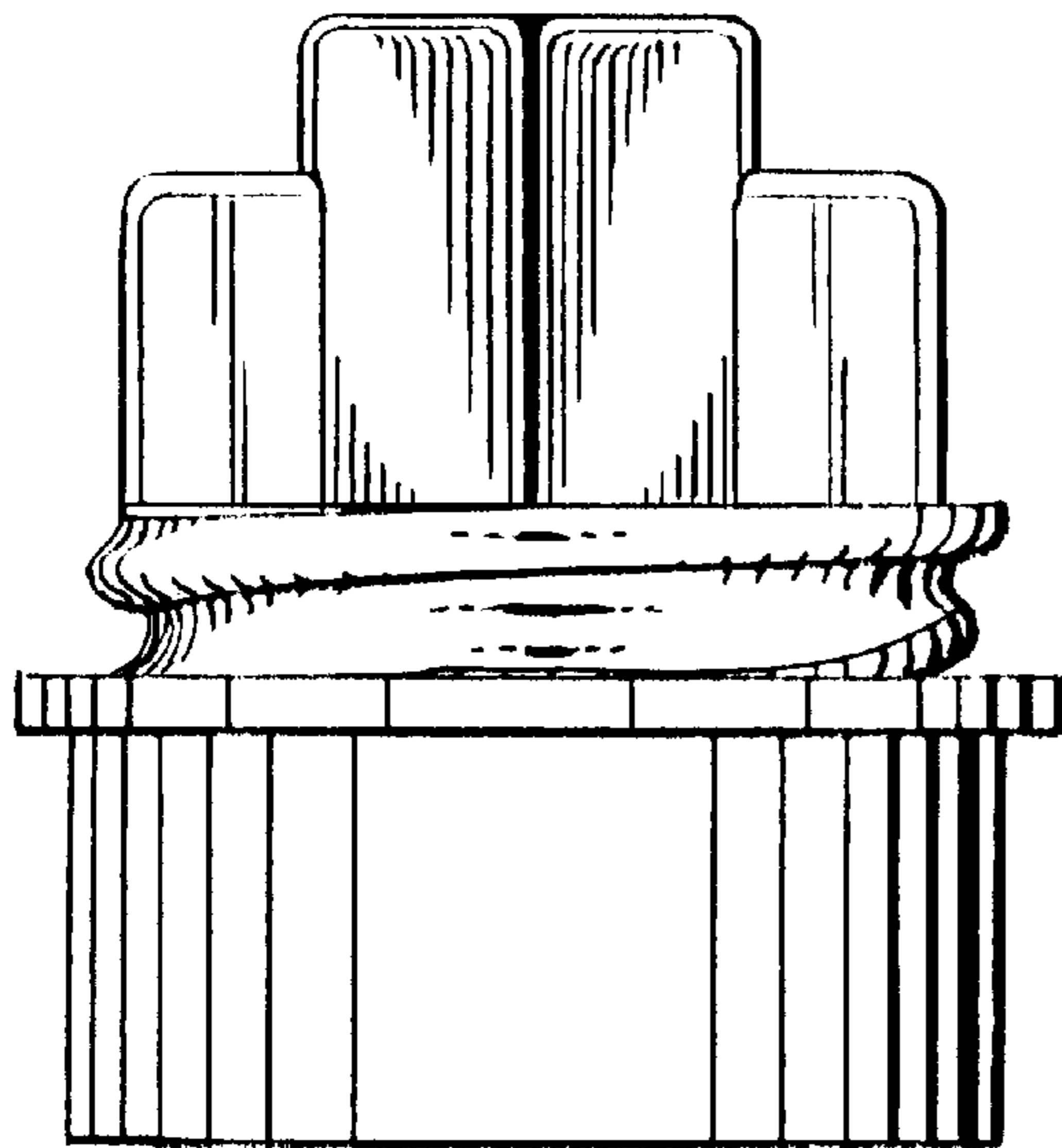


FIG. 1

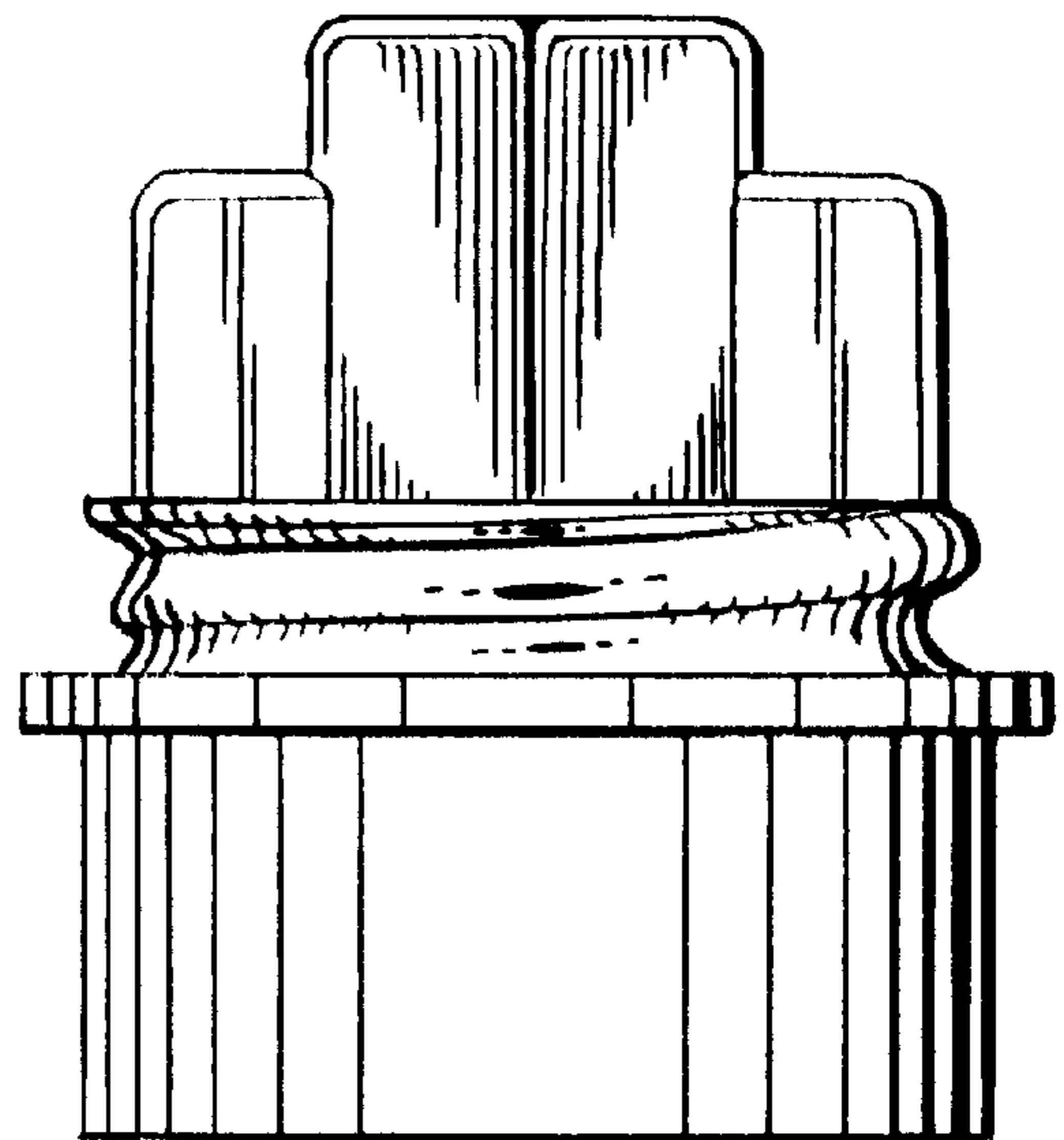


FIG. 2

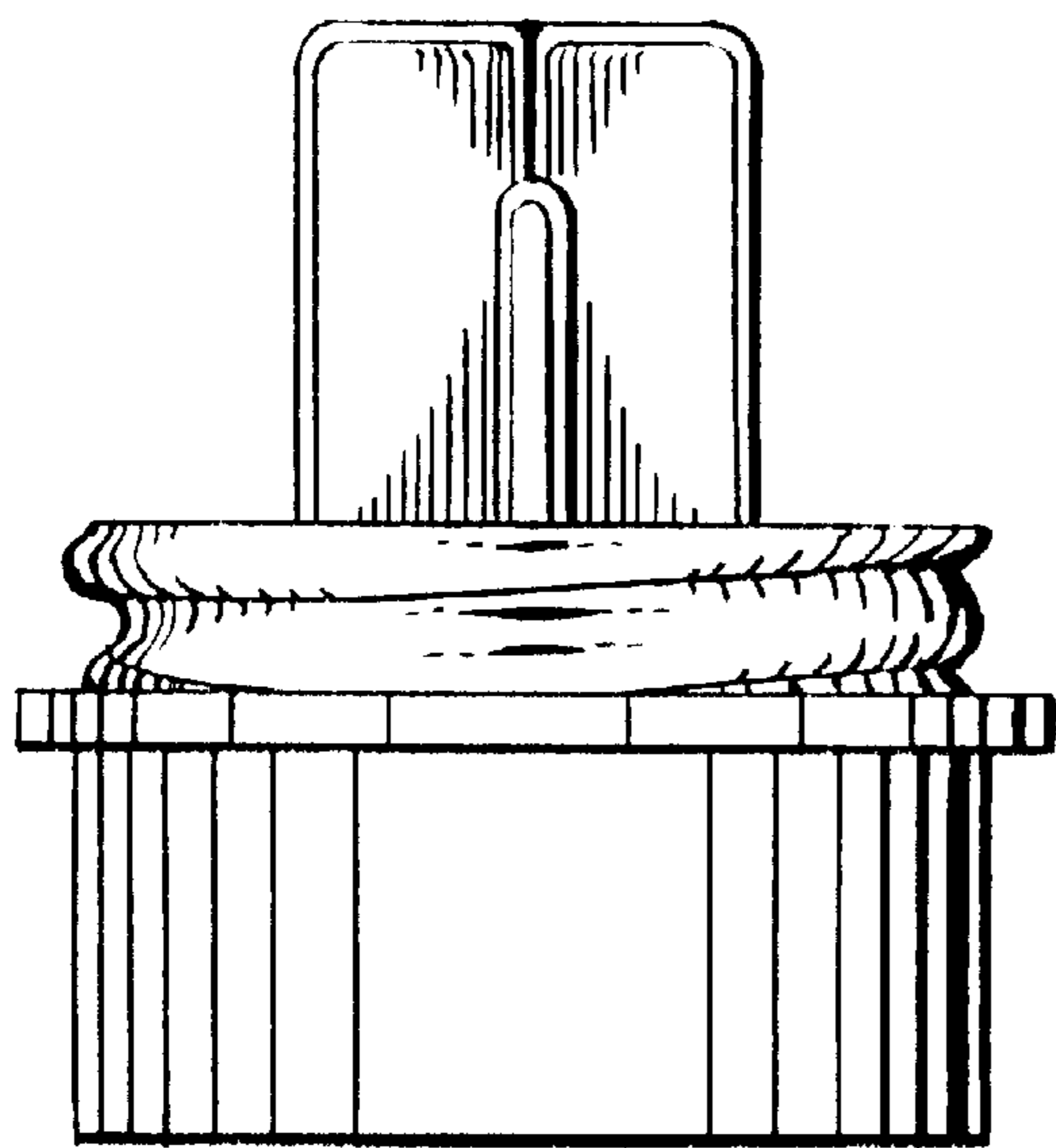


FIG. 3

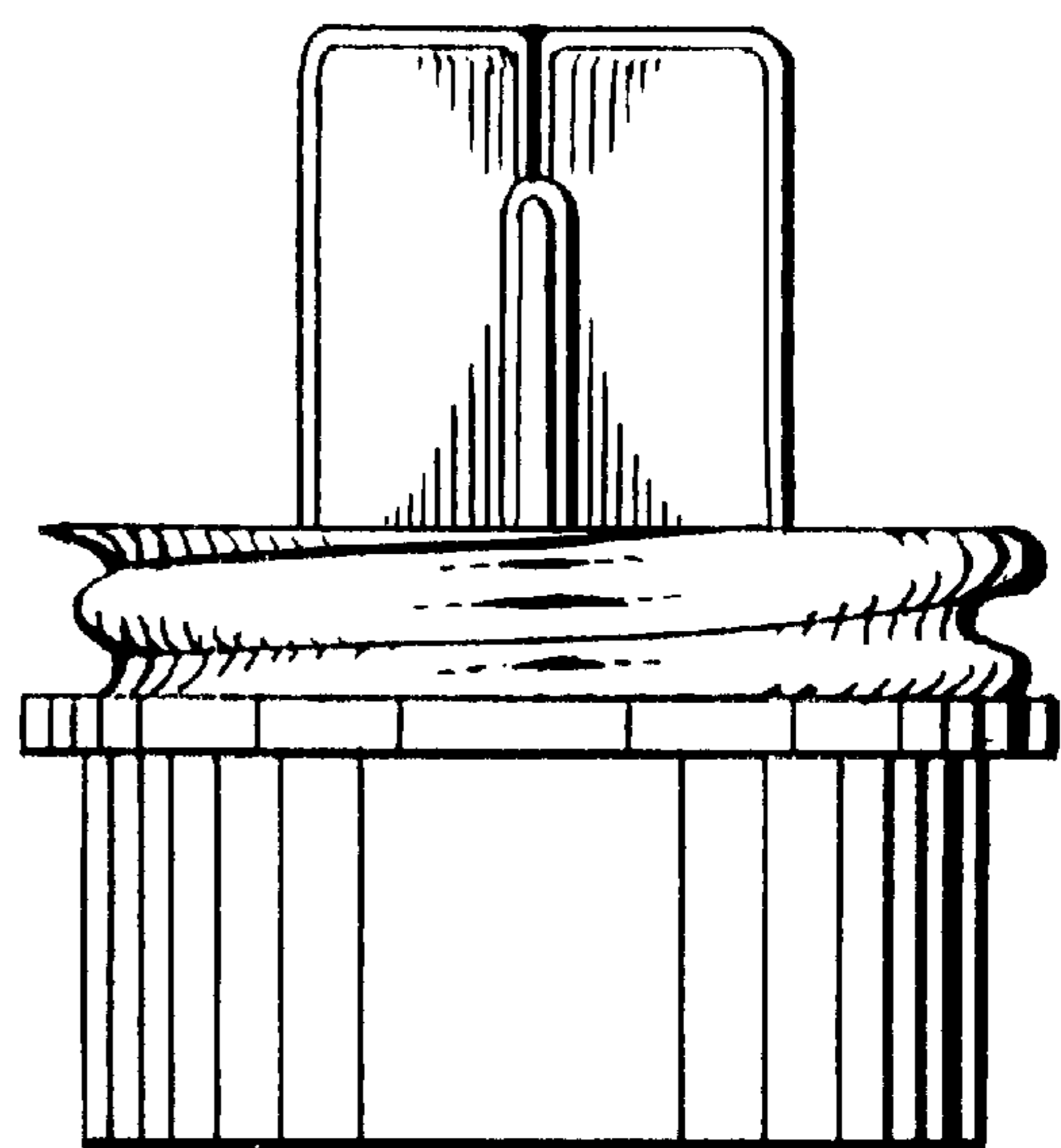


FIG. 4

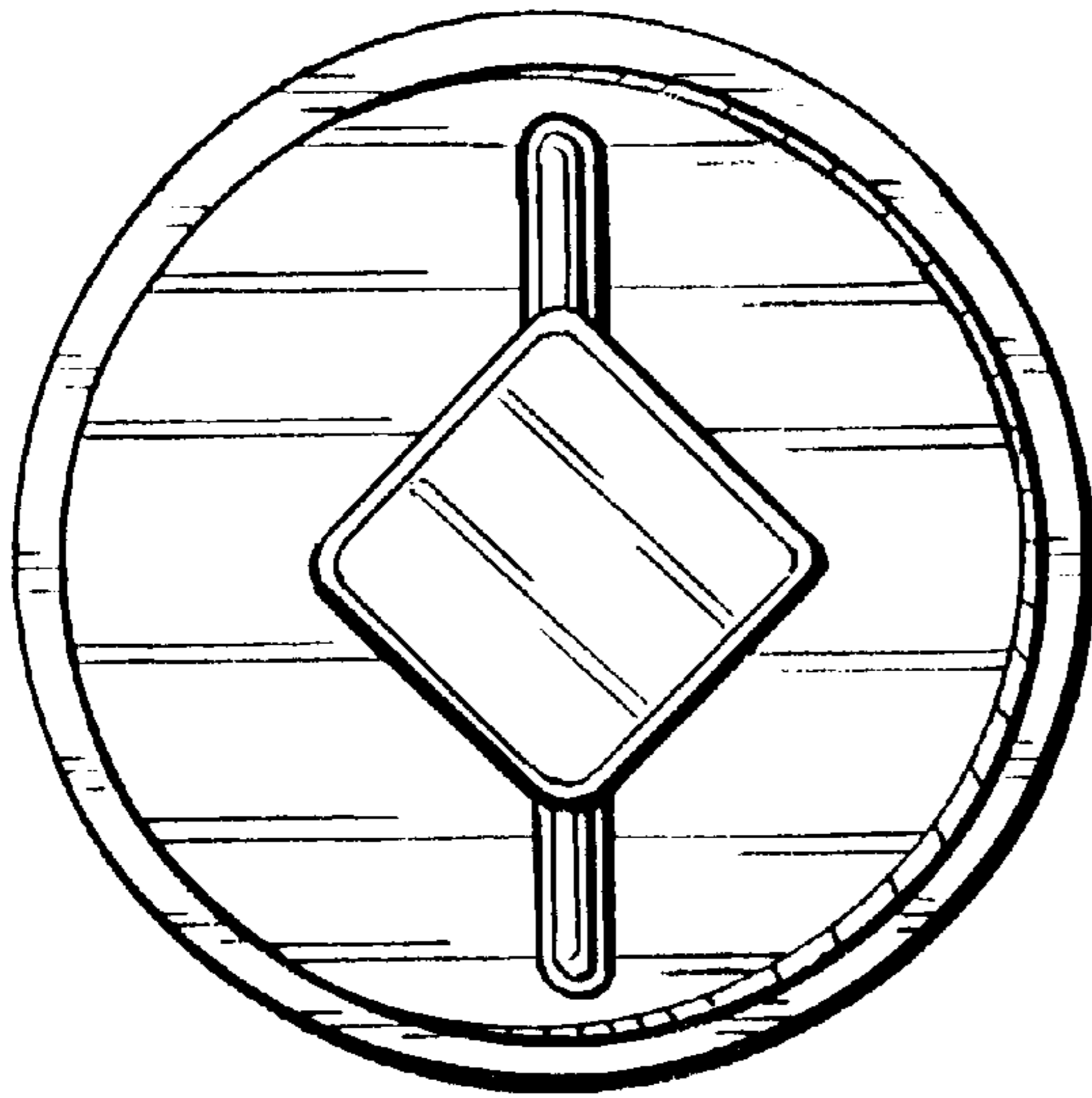


FIG. 5

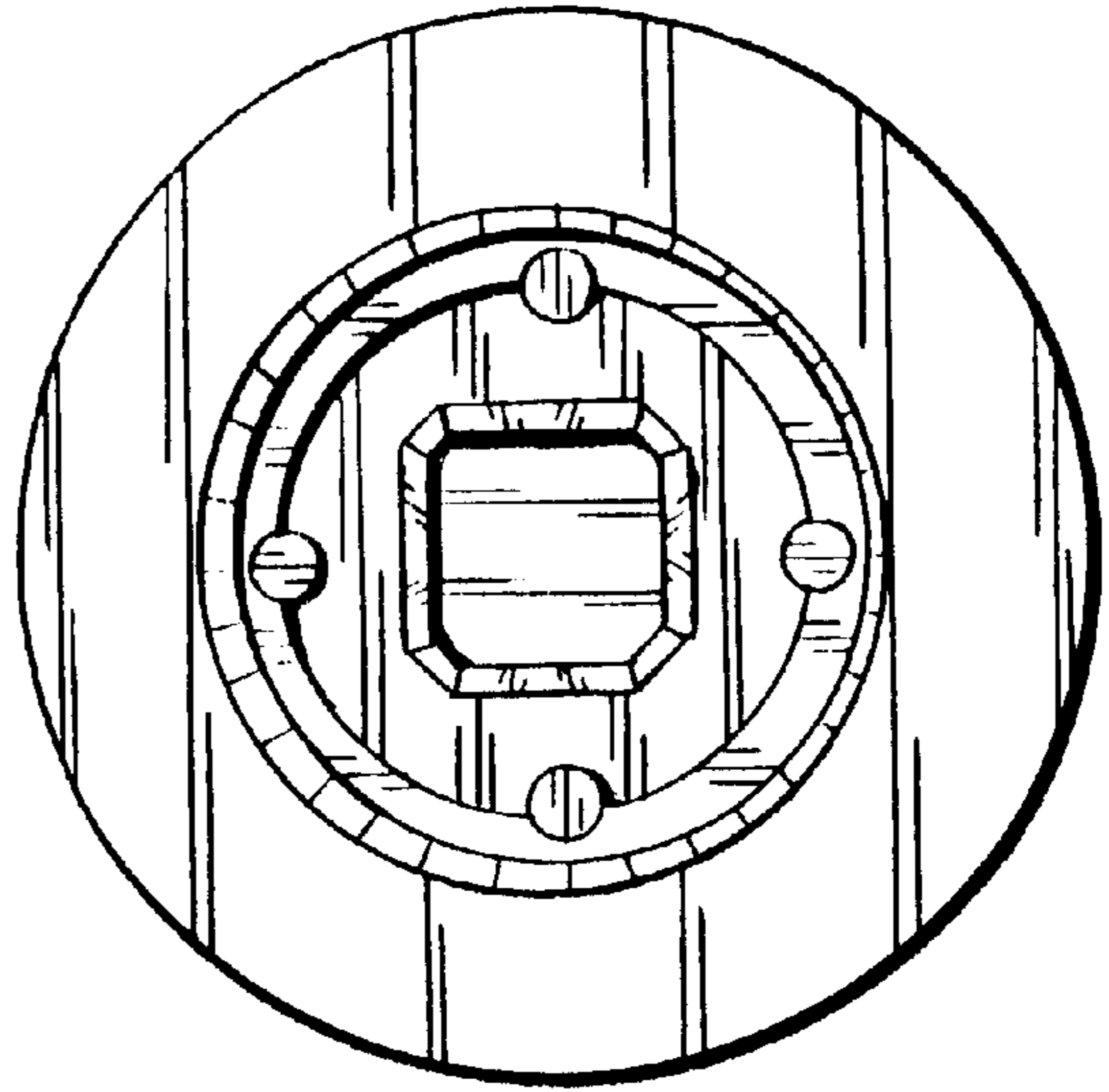


FIG. 6

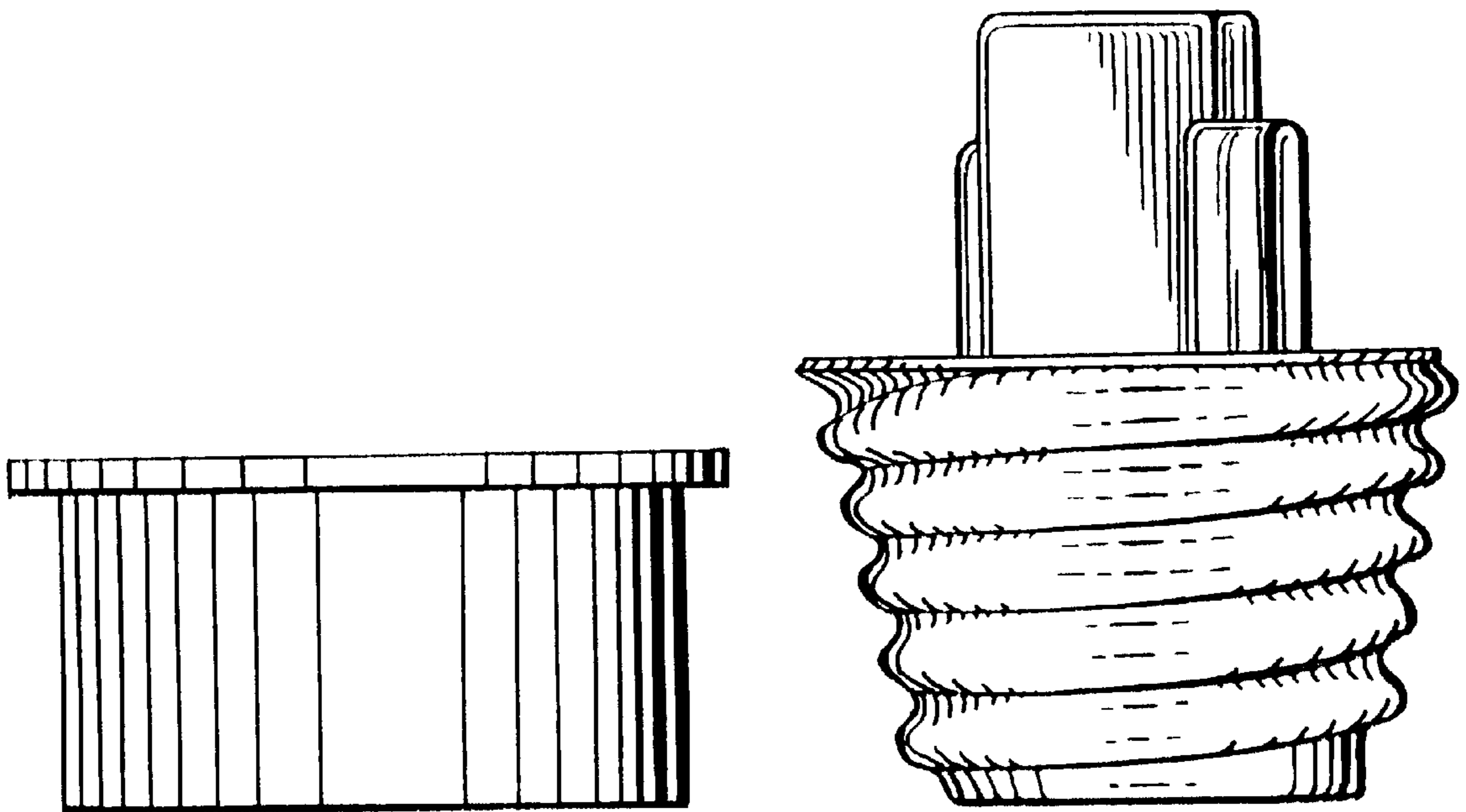


FIG. 7