



US00D421791S

United States Patent [19]

Ohtani et al.

[11] Patent Number: **Des. 421,791**

[45] Date of Patent: **** Mar. 21, 2000**

[54] **DOUBLE-SEATED CONTROL VALVE PLUG**

[75] Inventors: **Hideo Ohtani; Ryoji Okutsu**, both of Kanagawa-Pref; **Ryuji Shinozaki**, Tokyo, all of Japan

[73] Assignee: **Yamatake-Honeywell Co., Ltd.**, Tokyo, Japan

[**] Term: **14 Years**

[21] Appl. No.: **29/073,457**

[22] Filed: **Jul. 10, 1997**

[51] **LOC (6) Cl.** **23-01**

[52] **U.S. Cl.** **D23/260**

[58] **Field of Search** D23/233-237, D23/244-249, 260-269; 15/104.61; 166/153, 192; 137/556.3; 220/352, DIG. 19; 138/89, 97, 98

[56] **References Cited**

U.S. PATENT DOCUMENTS

- D. 56,554 11/1920 Devaney D23/260
- D. 235,342 6/1975 Otto D23/260

- D. 306,200 2/1990 Bednar D23/260
- D. 351,898 10/1994 Stowers, Jr. D23/260
- D. 403,049 12/1998 Ohtani et al. D23/233
- 3,827,439 8/1974 Schulte et al. 604/9
- 5,439,024 8/1995 Zimmerly 137/241
- 5,738,459 4/1998 Smith 401/190

Primary Examiner—Eric Watterson
Attorney, Agent, or Firm—Whitham, Curtis & Whitham

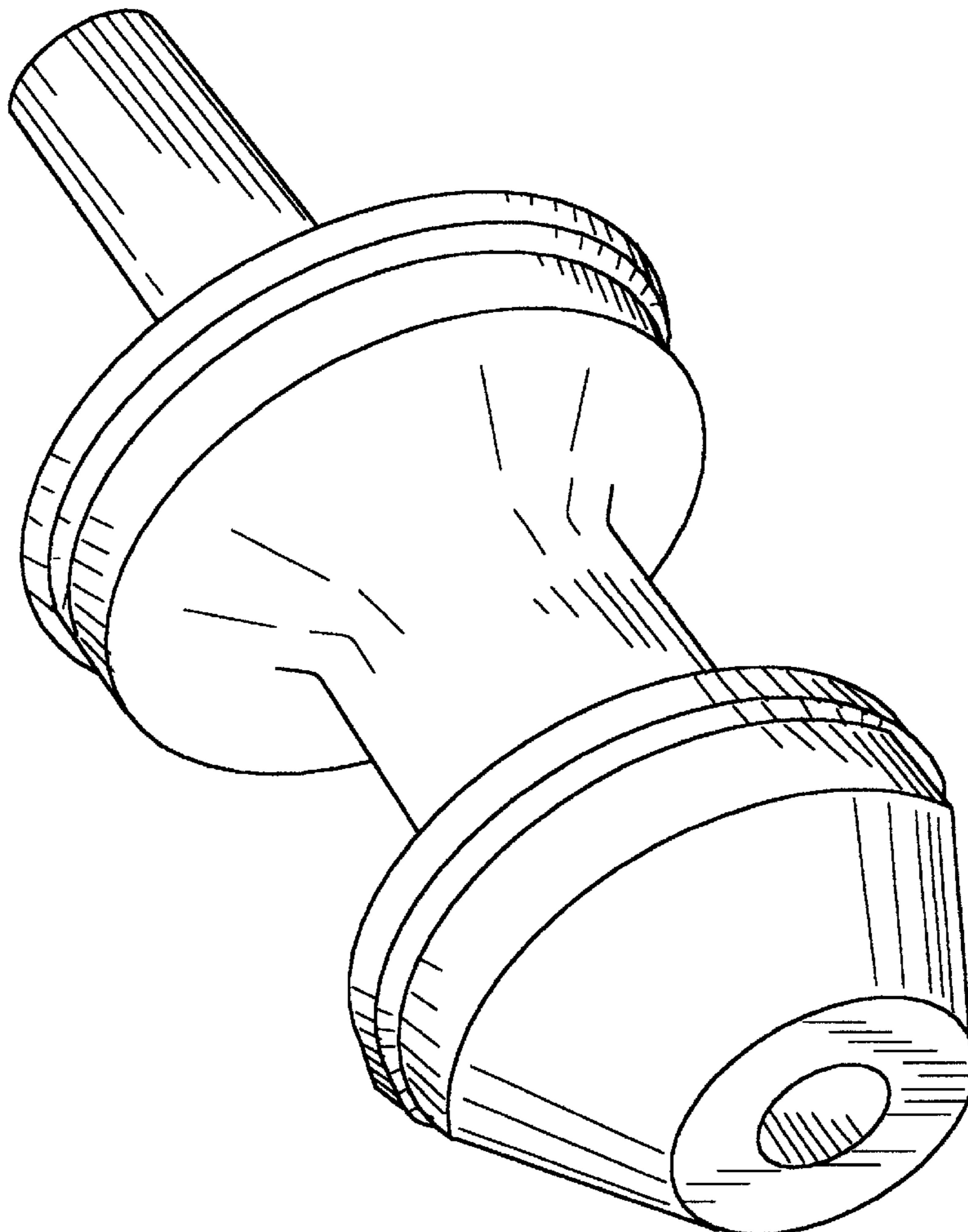
[57] **CLAIM**

We claim the ornamental design for a double-seated control valve plug, as shown and described.

DESCRIPTION

FIG. 1 is a front elevation view of the double seated control valve plug, the back elevation view being identical; FIG. 2 is a top plan view of the double seated control valve plug; FIG. 3 is a bottom plan view of the double seated control valve plug; FIG. 4 is an isometric bottom view of the double seated control valve plug; and, FIG. 5 is an isometric top view of the double seated control valve plugs.

1 Claim, 4 Drawing Sheets



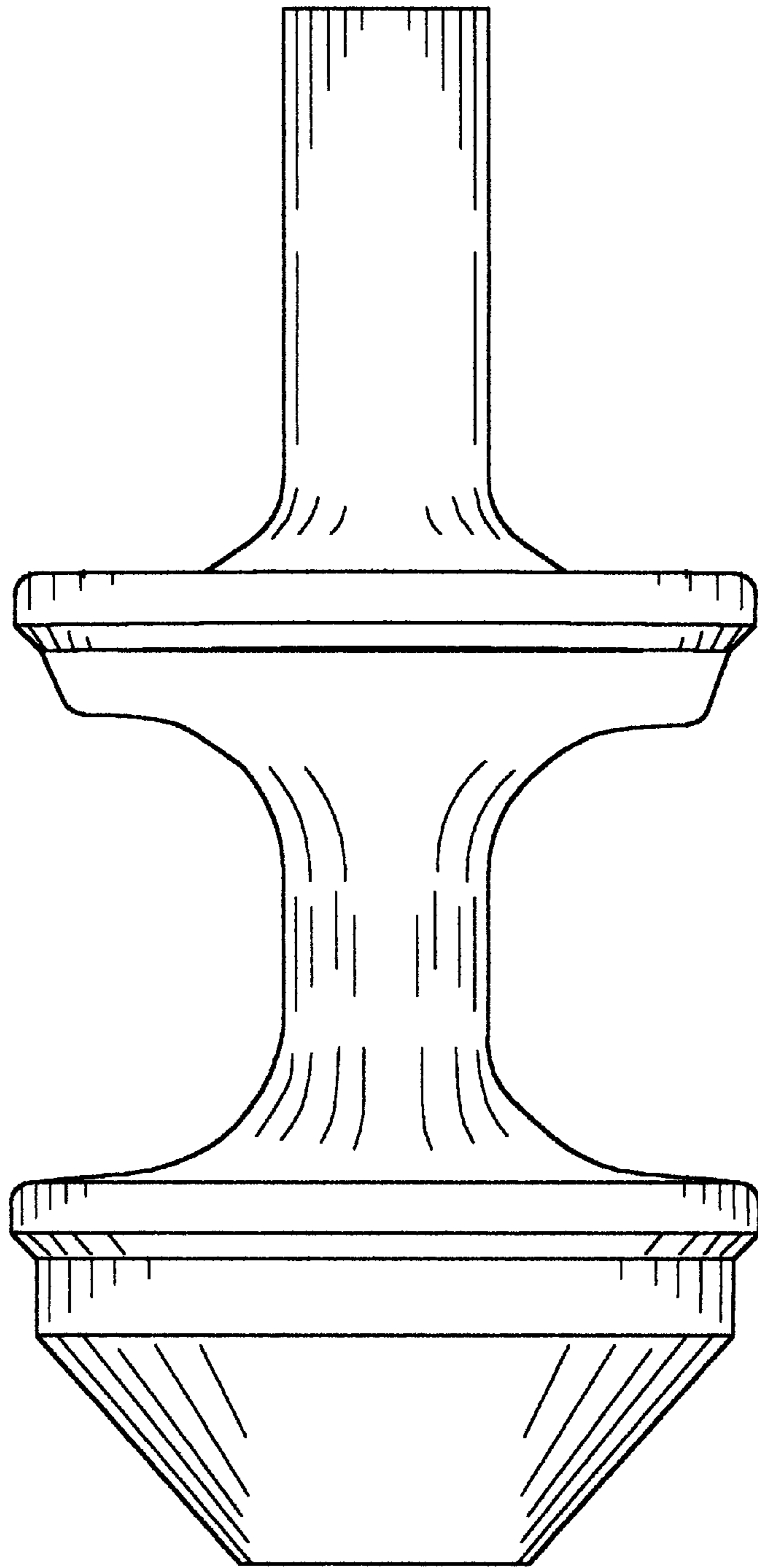


FIG. 1

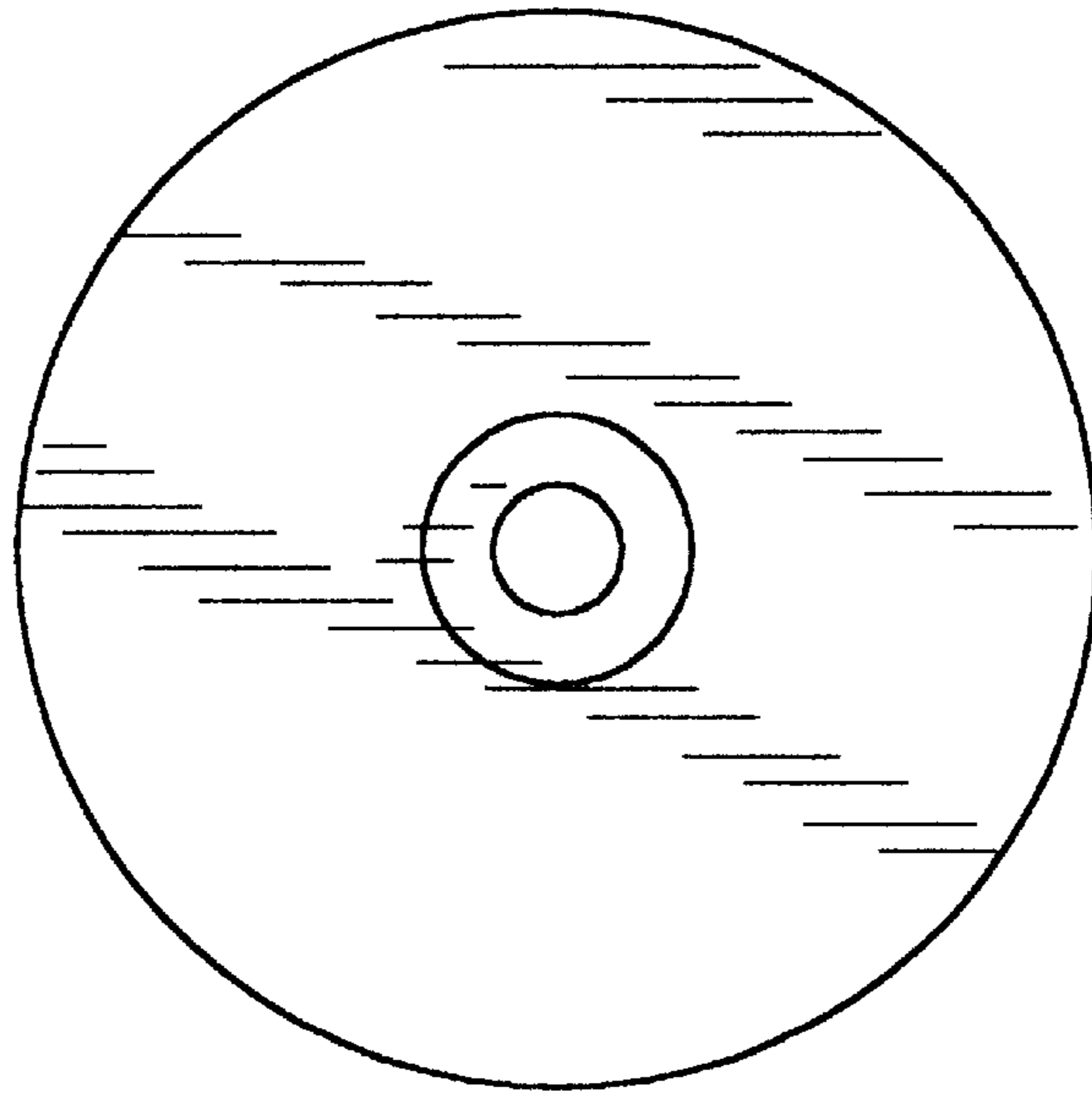


FIG. 2

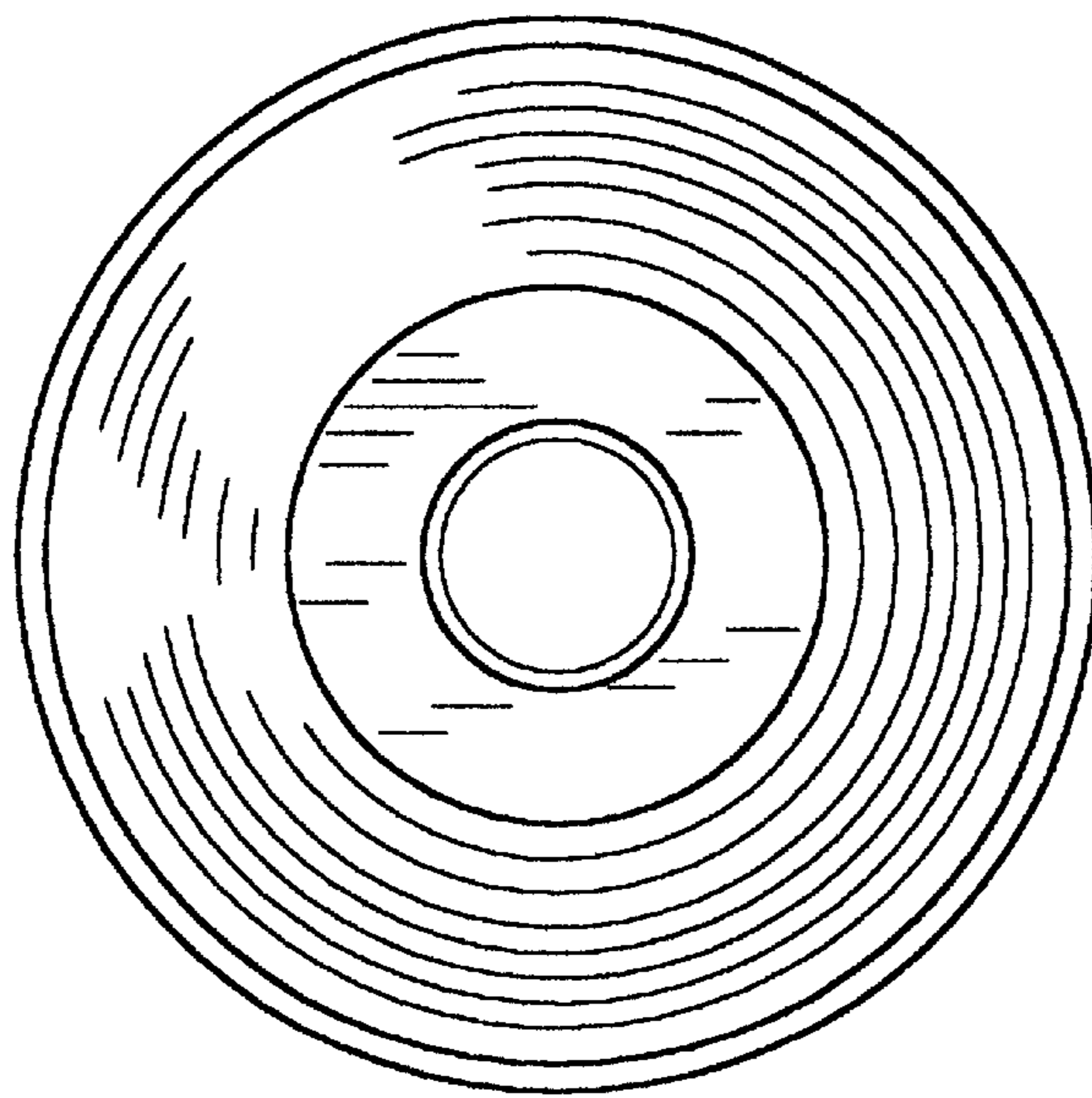


FIG. 3

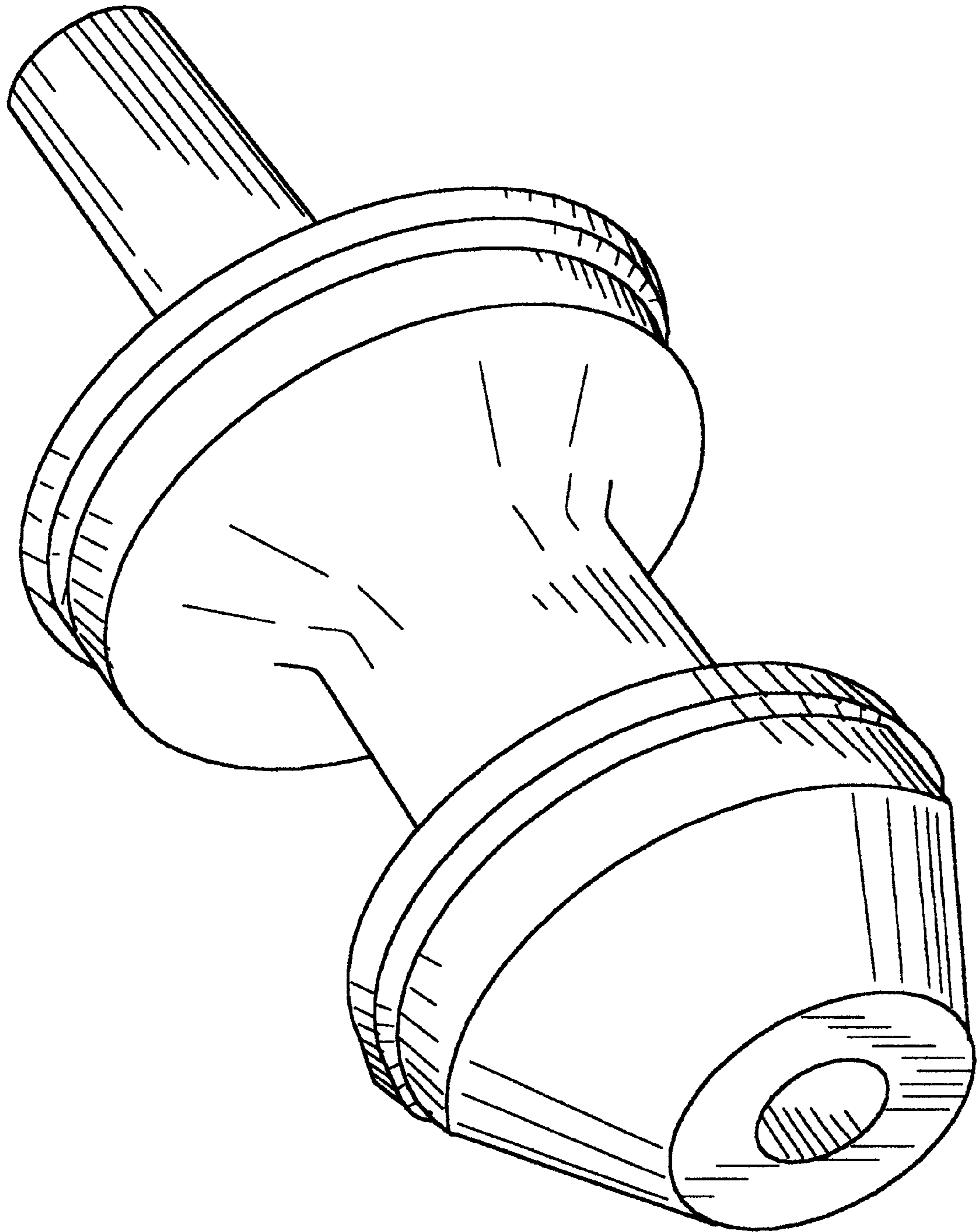


FIG.4

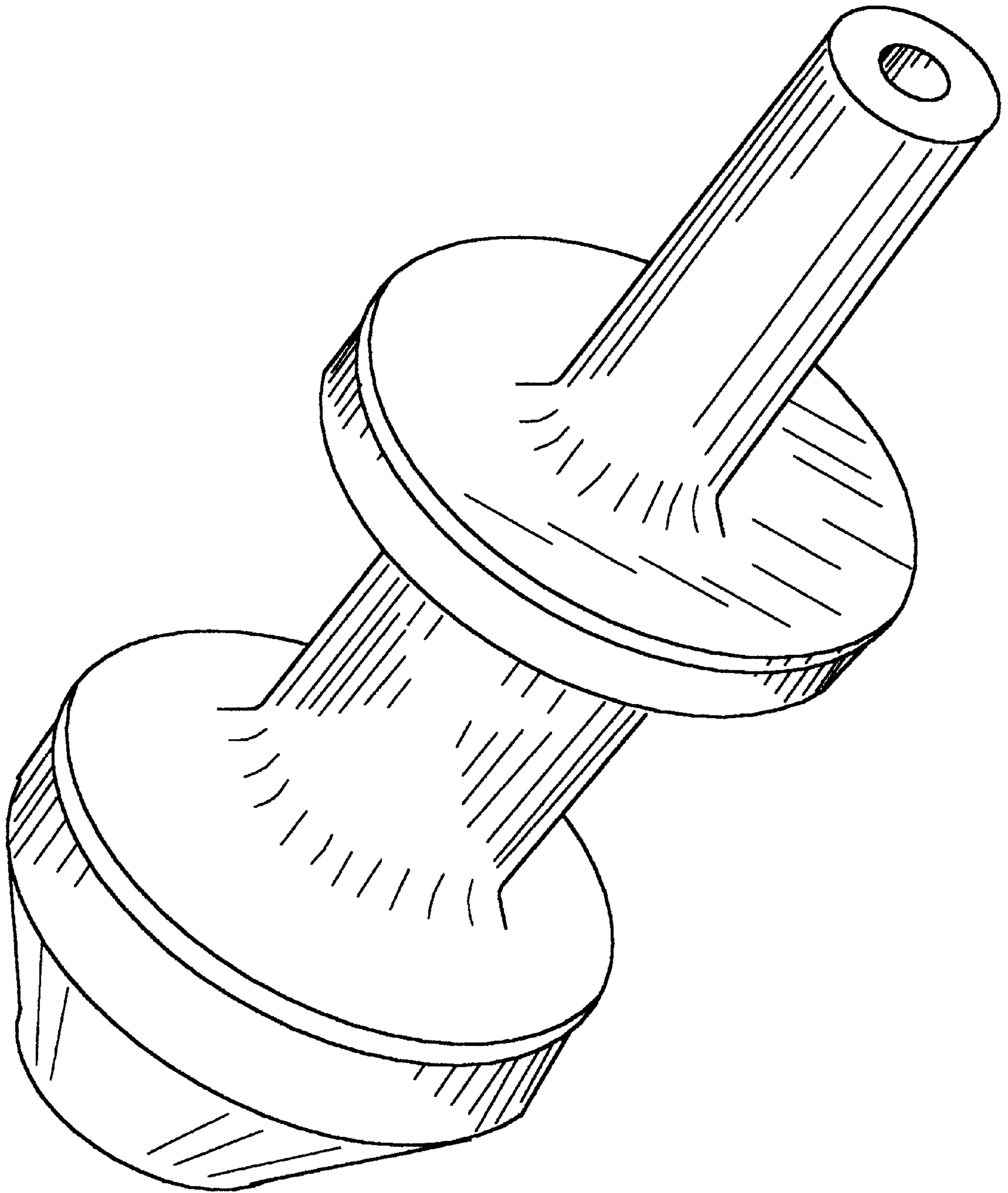


FIG.5