



US00D421787S

United States Patent [19] Neitz

[11] **Patent Number: Des. 421,787**
[45] **Date of Patent: ** Mar. 21, 2000**

[54] **WATER SWEEPER**

[76] Inventor: **Richard D Neitz**, 18151 E. Valley Blvd. #73, La Puente, Calif. 91744

[**] Term: **14 Years**

[21] Appl. No.: **29/104,608**

[22] Filed: **May 6, 1999**

[51] **LOC (6) Cl.** **23-01**

[52] **U.S. Cl.** **D23/213**

[58] **Field of Search** 239/532, 722, 239/280-1; D23/213, 214, 223, 226

[56] **References Cited**

U.S. PATENT DOCUMENTS

| | | | | |
|-----------|---------|----------|-------|---------|
| 1,787,024 | 12/1930 | Sjostrom | | 239/722 |
| 2,889,994 | 6/1959 | French | | 239/722 |
| 4,022,382 | 5/1977 | Engdahl | | 239/532 |

OTHER PUBLICATIONS

Yard and Garden catalog; Water Sweeper; p. 22, 1985.
Primary Examiner—Robin V. Taylor

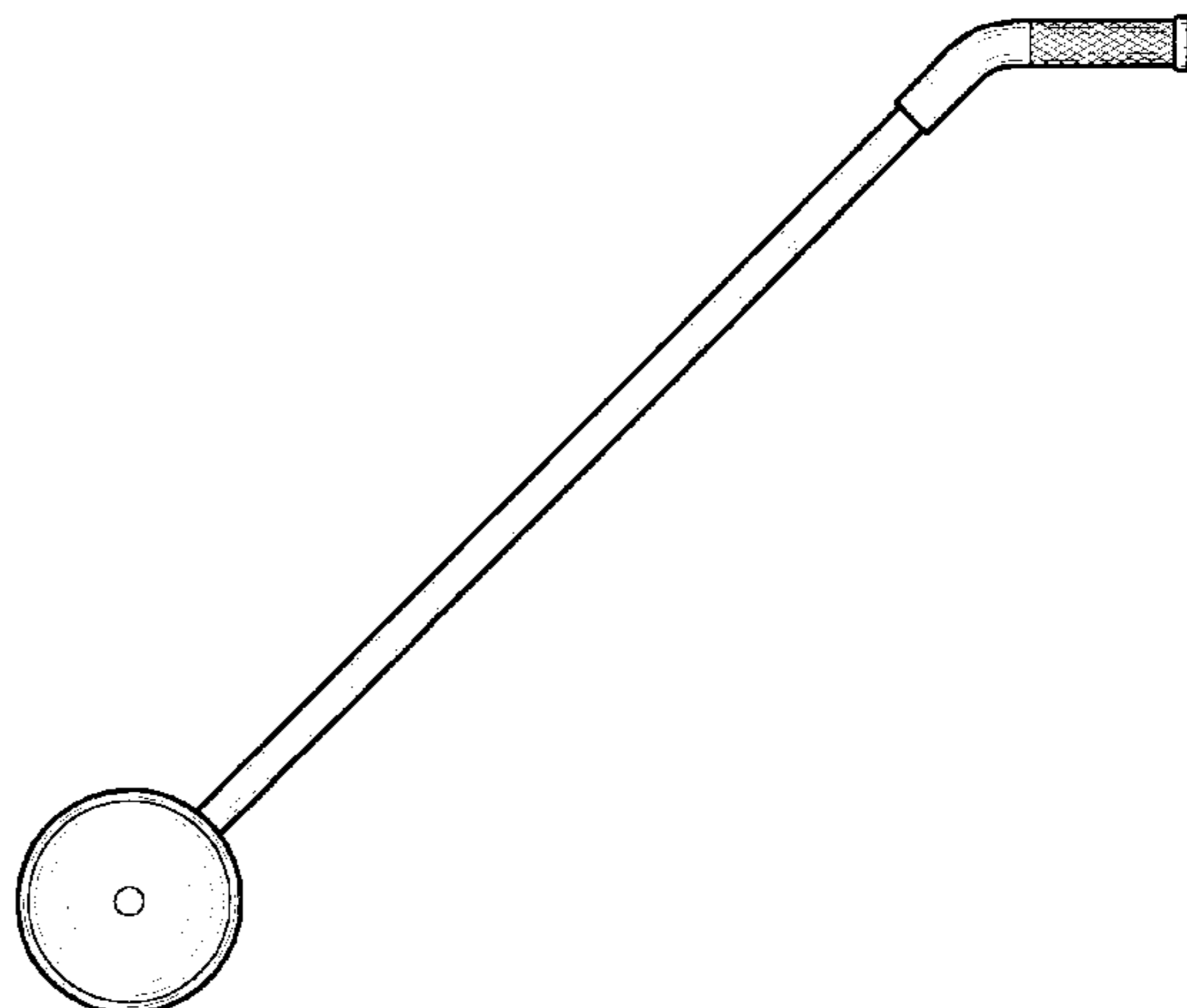
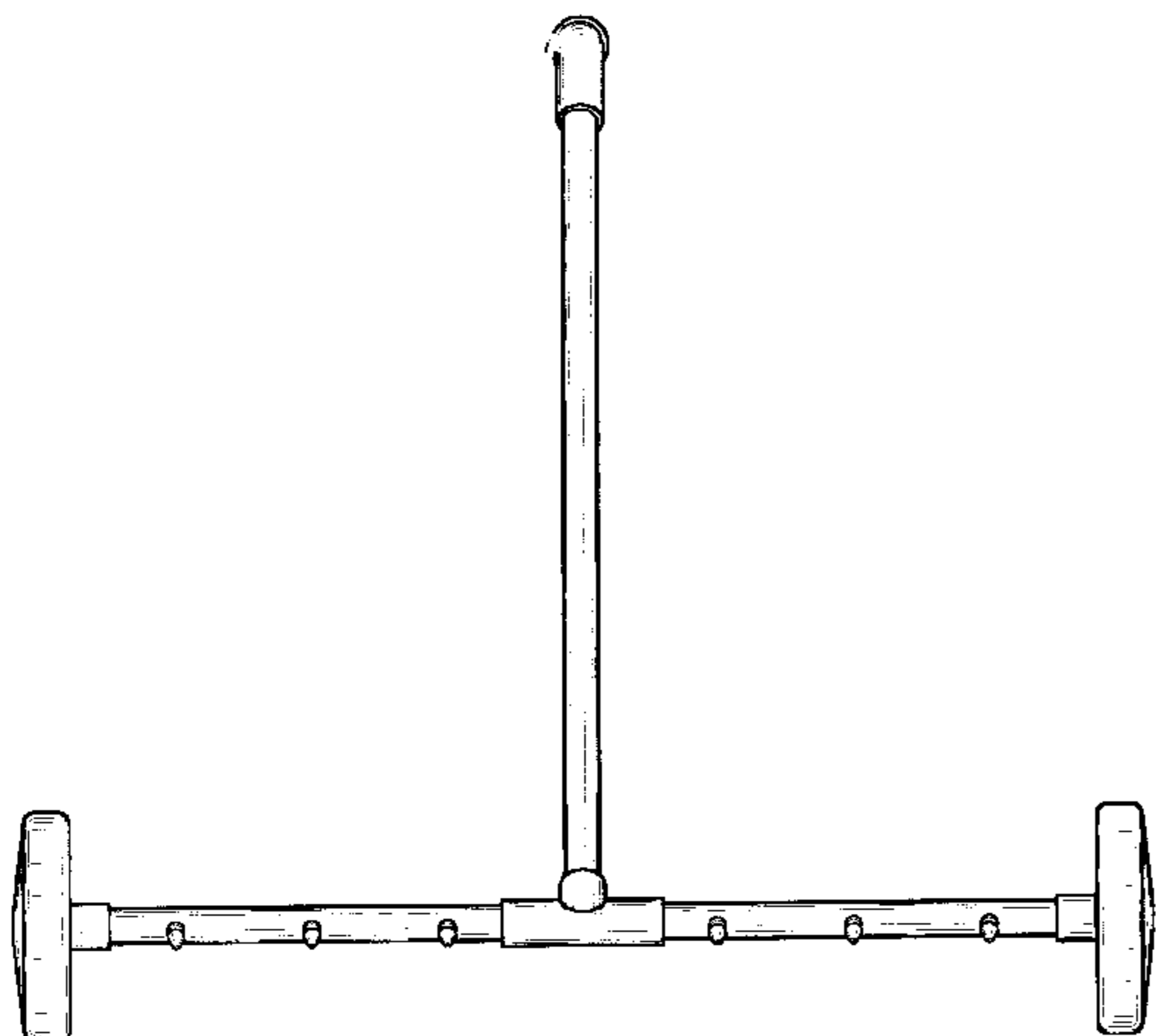
[57] **CLAIM**

The ornamental design for a water sweeper, as shown.

DESCRIPTION

FIG. 1 is a front elevational view of the water sweeper of the present invention;
FIG. 2 is a back elevational view of the water sweeper of FIG. 1;
FIG. 3 is a left side elevational view of the water sweeper of FIG. 1;
FIG. 4 is a right side elevational view of the water sweeper of FIG. 1;
FIG. 5 is a top plan view of the water sweeper of FIG. 1; and, FIG. 6 is a bottom plan view of the water sweeper of FIG. 1.

1 Claim, 3 Drawing Sheets



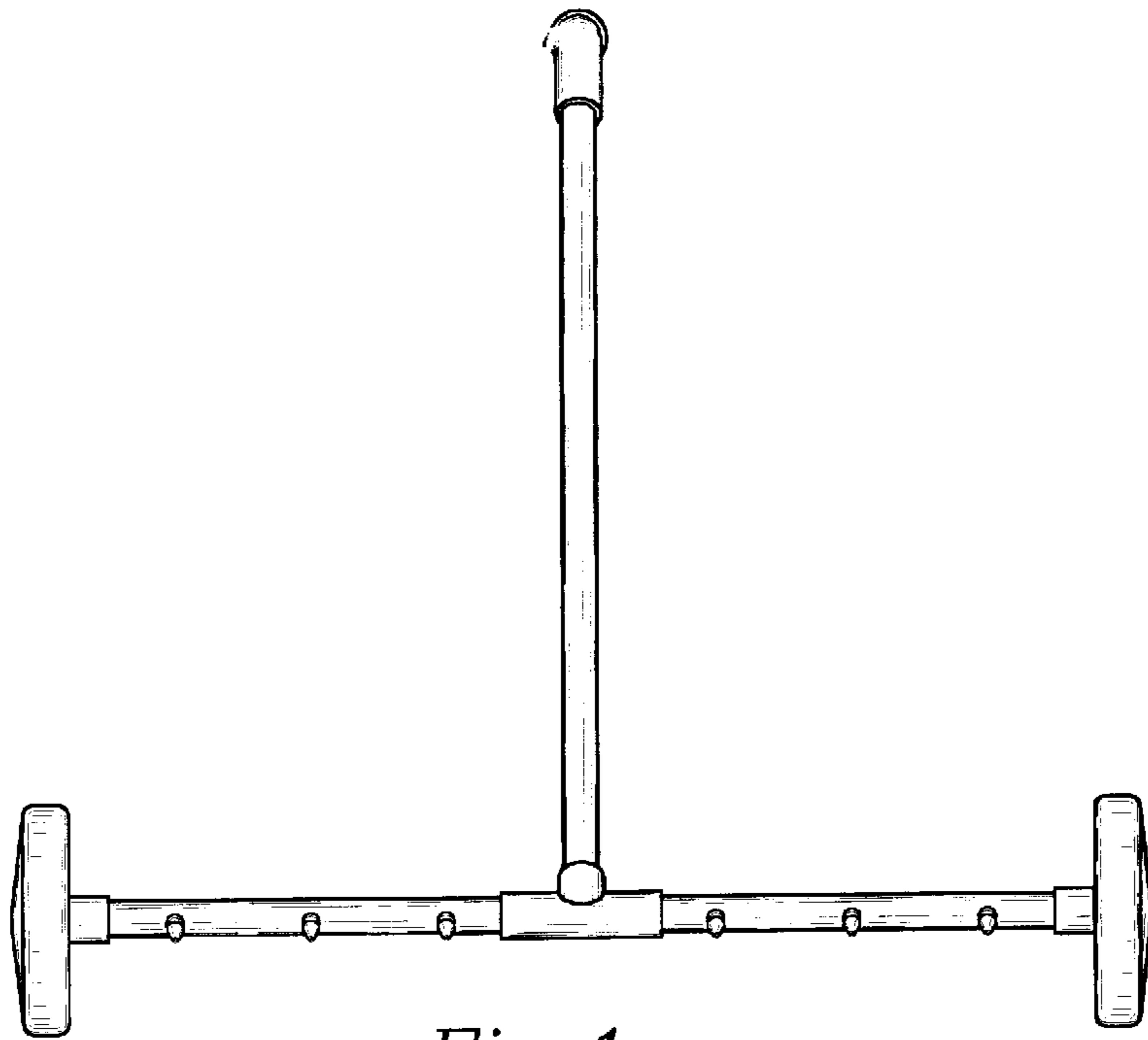


Fig. 1

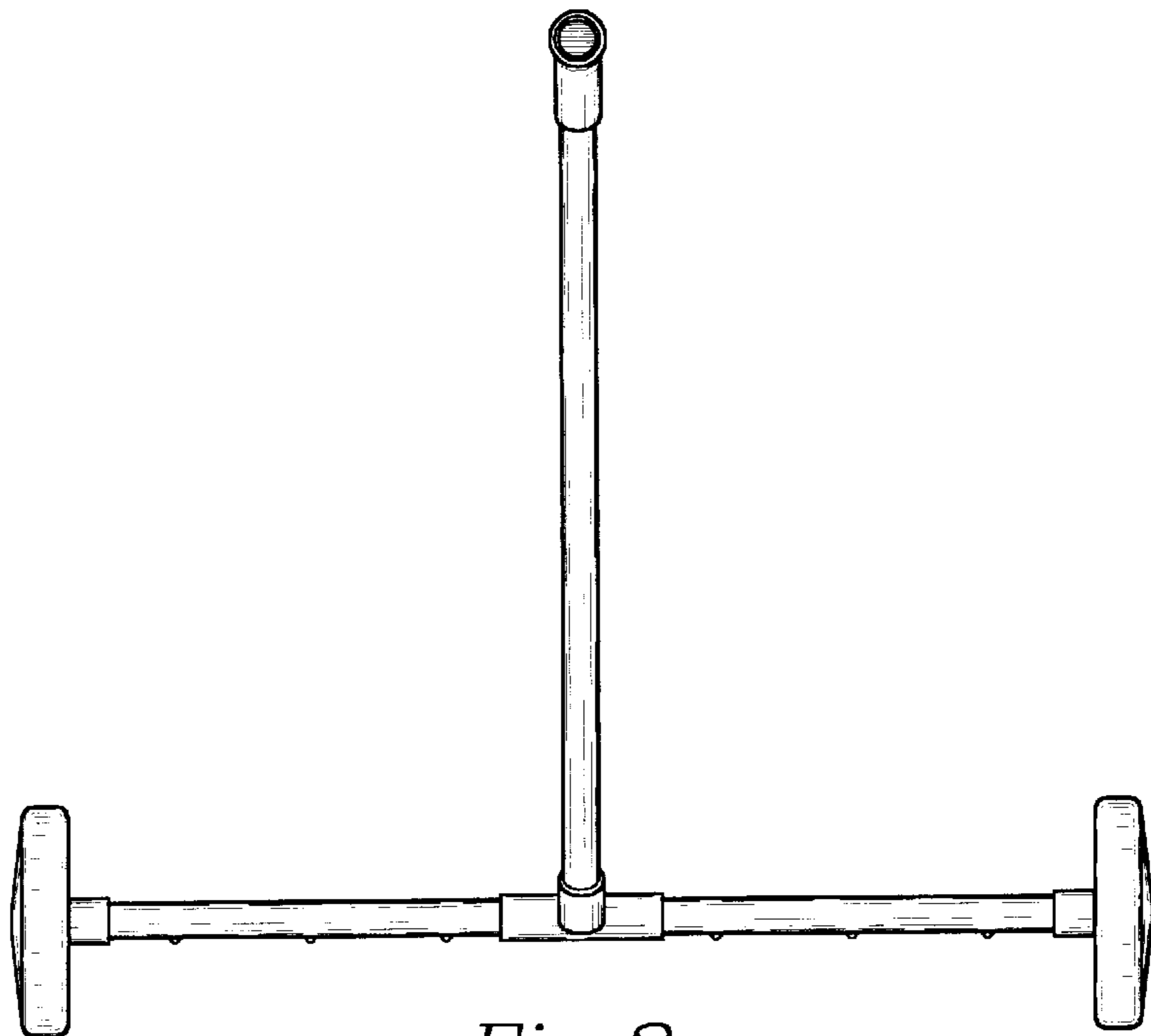


Fig. 2

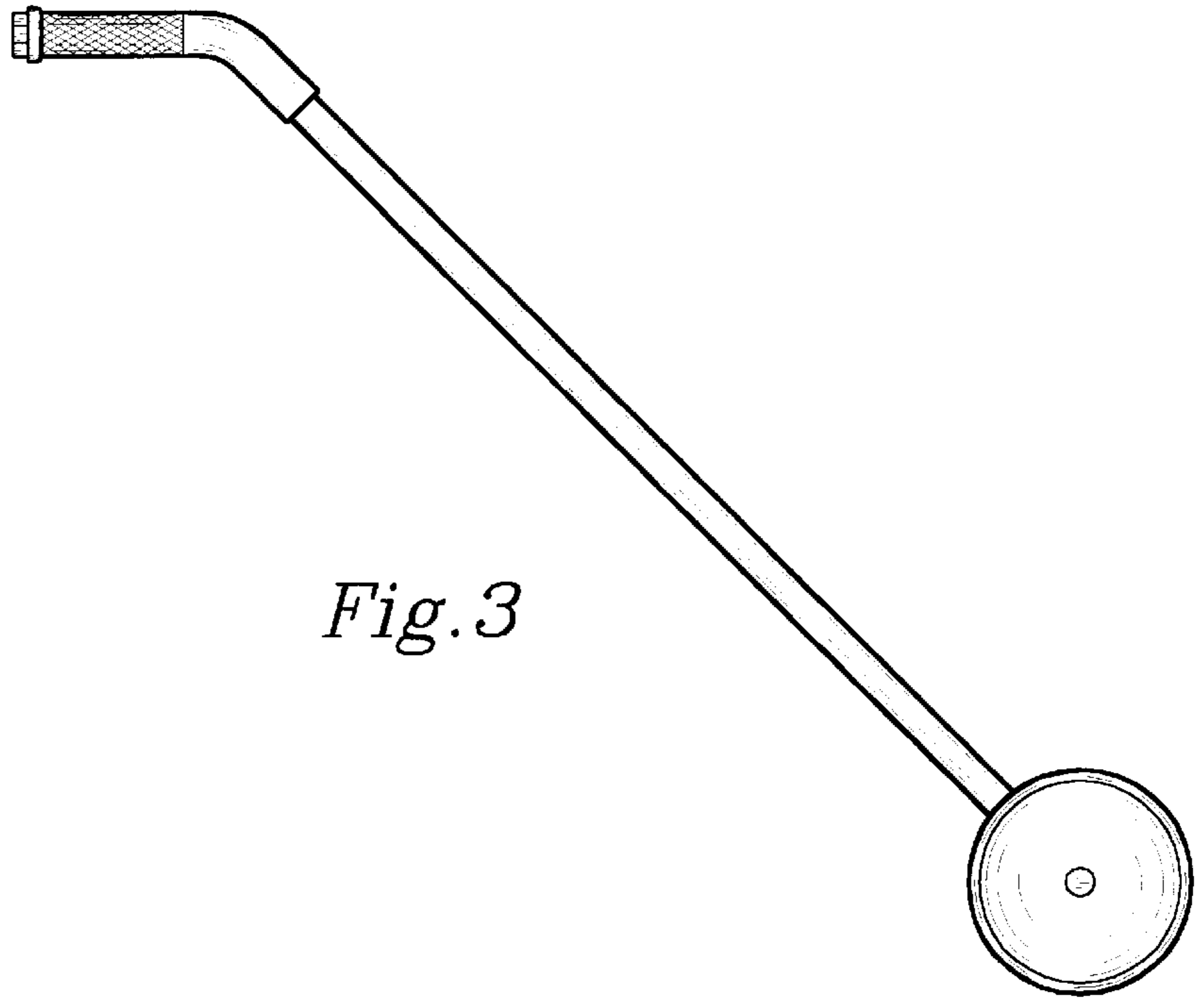


Fig. 3

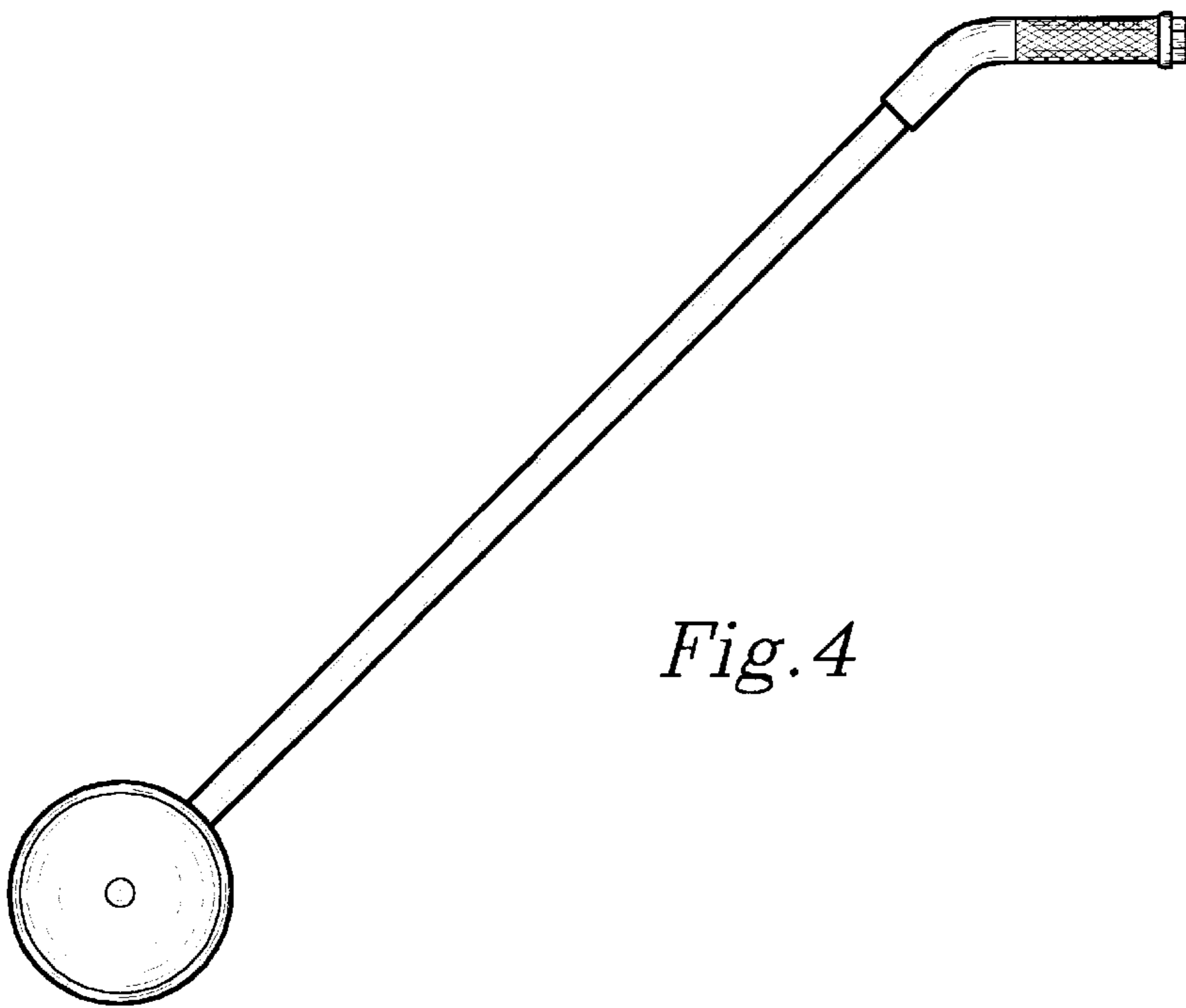


Fig. 4

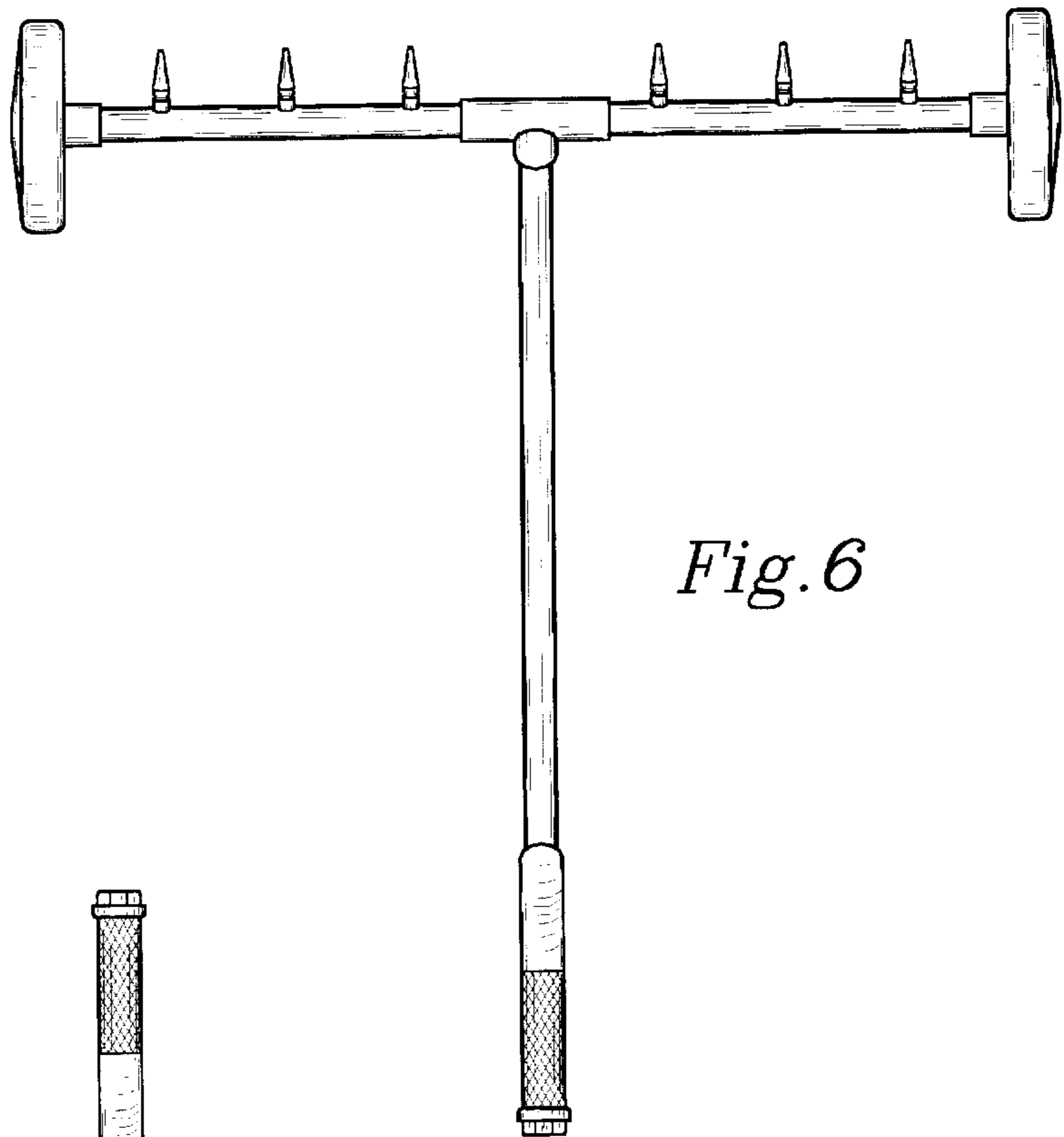


Fig. 6

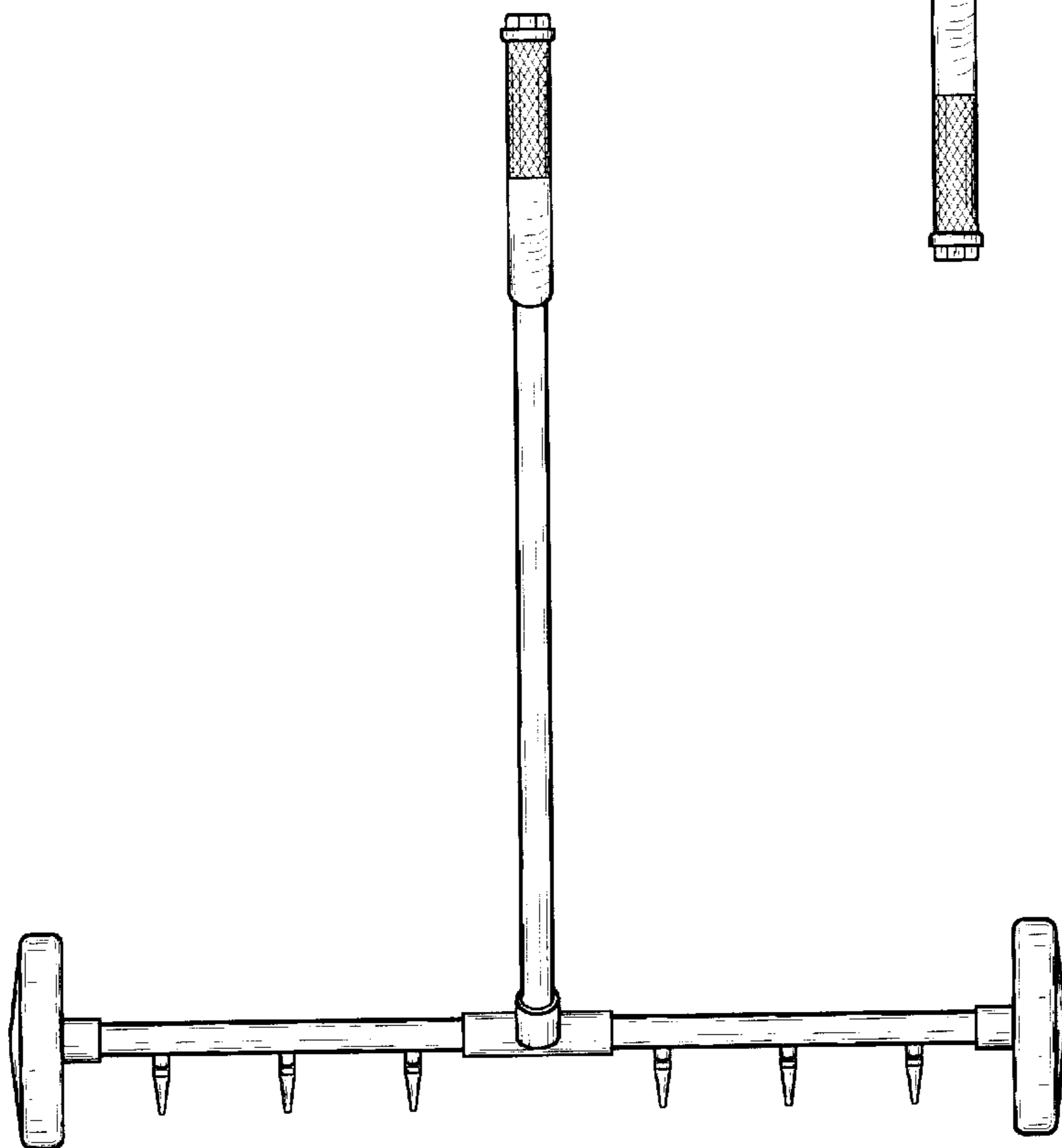


Fig. 5