



US00D421785S

United States Patent [19]

Uhlmann et al.

[11] Patent Number: **Des. 421,785**

[45] Date of Patent: **** Mar. 21, 2000**

[54] **GUN SIGHT**

[75] Inventors: **Julius H. Uhlmann**, Huntsville; **Paul A. Flubacher**, Greenville, both of Ala.

[73] Assignee: **REF Alabama Inc.**, Greenville, Ala.

[**] Term: **14 Years**

[21] Appl. No.: **29/084,843**

[22] Filed: **Mar. 11, 1998**

[51] **LOC (6) Cl.** **22-01**

[52] **U.S. Cl.** **D22/109; D22/100; D22/108; D22/199**

[58] **Field of Search** **D22/100, 108, D22/109, 199; 33/241, 242, 243; 42/100, 102, 103; 89/41.17**

4,008,535 2/1977 Adams 42/100
 4,993,158 2/1991 Santiago .
 5,638,604 6/1997 Lorocco .
 5,685,081 11/1997 Winegar .
 5,836,100 11/1998 Stover 42/100
 5,878,503 3/1999 Howe et al. 42/100

Primary Examiner—Louis S. Zarfes
Assistant Examiner—Monica A. Weingart
Attorney, Agent, or Firm—Nixon & Vanderhye P.C.

[57] CLAIM

The ornamental design for a “gun sight,” as shown and described.

DESCRIPTION

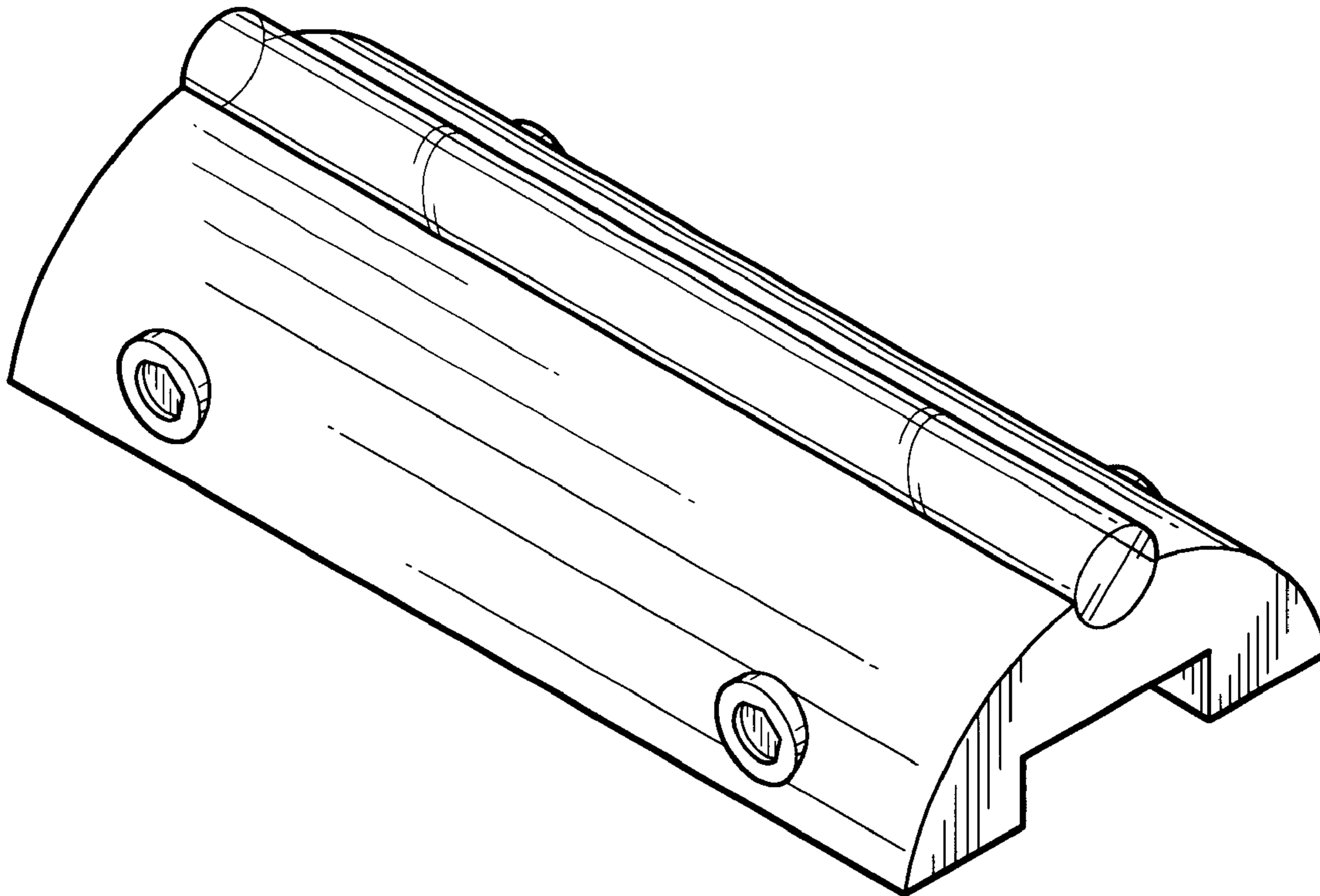
FIG. 1 is a perspective view of gun sight showing our new design;
 FIG. 2 is right side elevational view of the gun sight shown in FIG. 1, the left side elevational view being a mirror image thereof;
 FIG. 3 is a top plan view of the gun sight shown in FIG. 1;
 FIG. 4 is a bottom plan view of the gun sight shown in FIG. 1; and,
 FIG. 5 is a front elevational view of the gun sight shown in FIG. 1, the rear end elevational view being a mirror image thereof.

[56] References Cited

U.S. PATENT DOCUMENTS

D. 393,306 4/1998 Couper D22/108 X
 D. 406,630 3/1999 Emerson D22/100 X
 1,051,164 1/1913 Scott 33/243
 2,706,335 4/1955 Munsey .
 3,098,303 7/1963 Plisk .
 3,641,676 2/1972 Knutsen et al. 42/100
 3,949,482 4/1976 Ross .

1 Claim, 2 Drawing Sheets



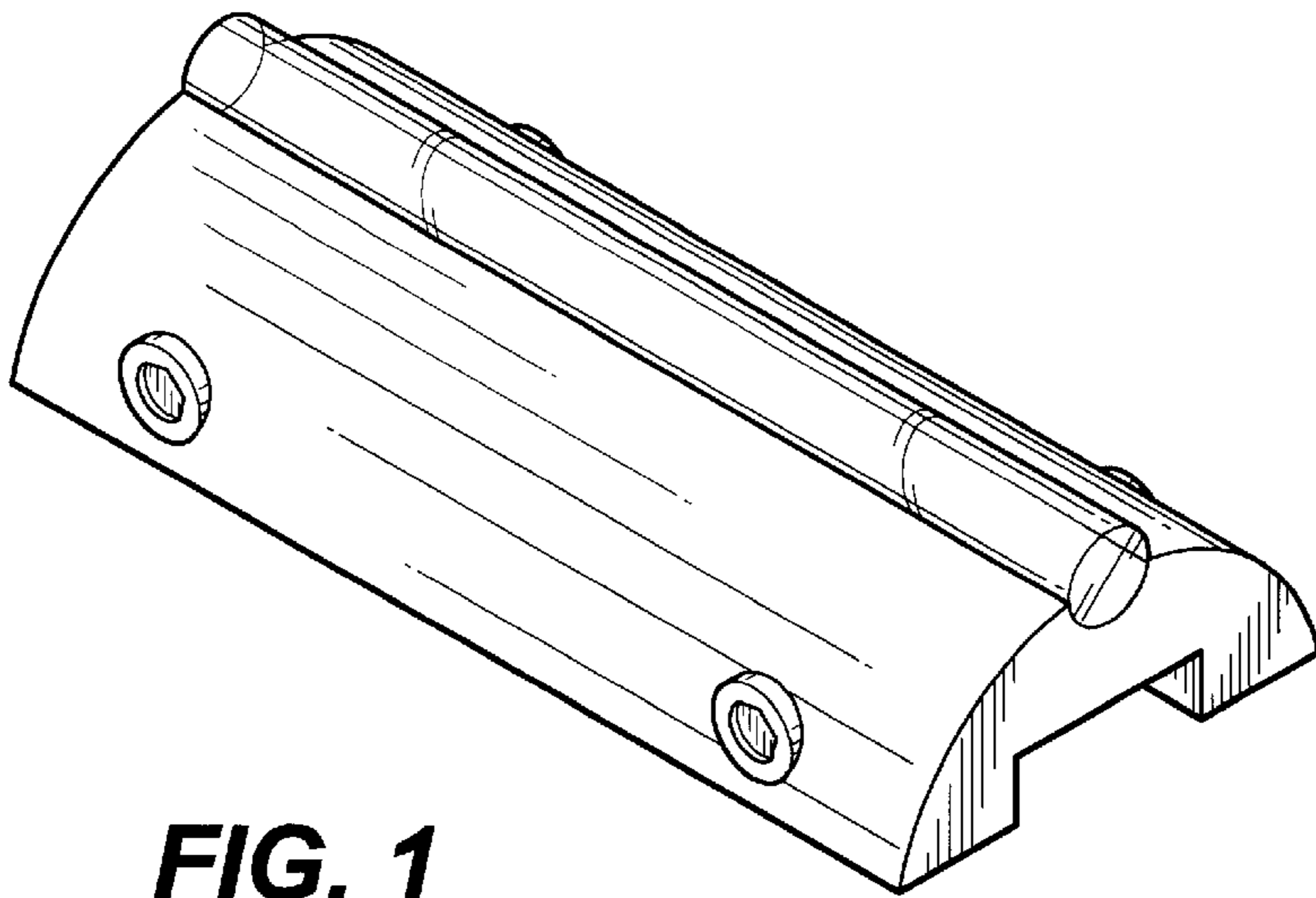


FIG. 1

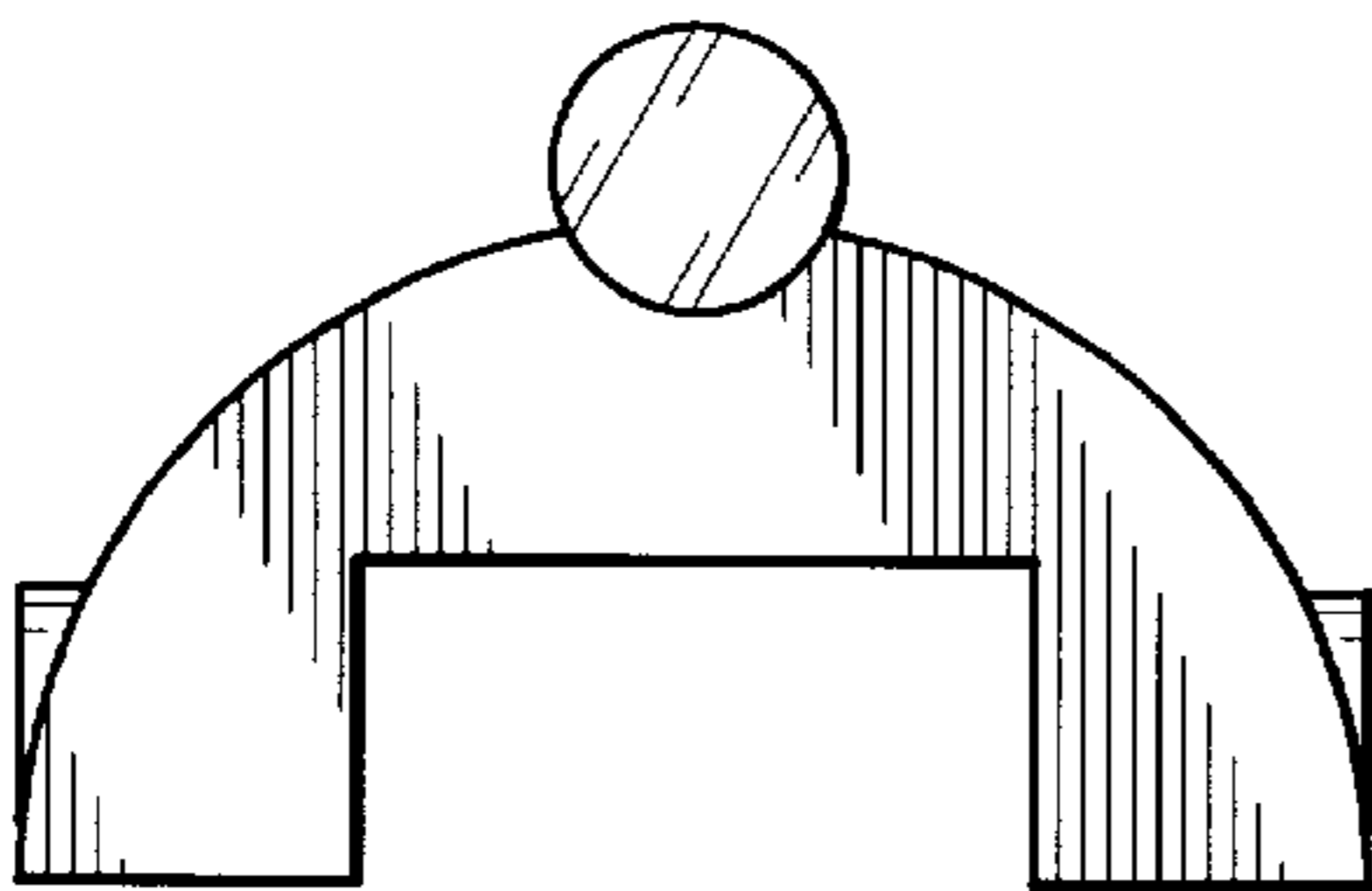


FIG. 2

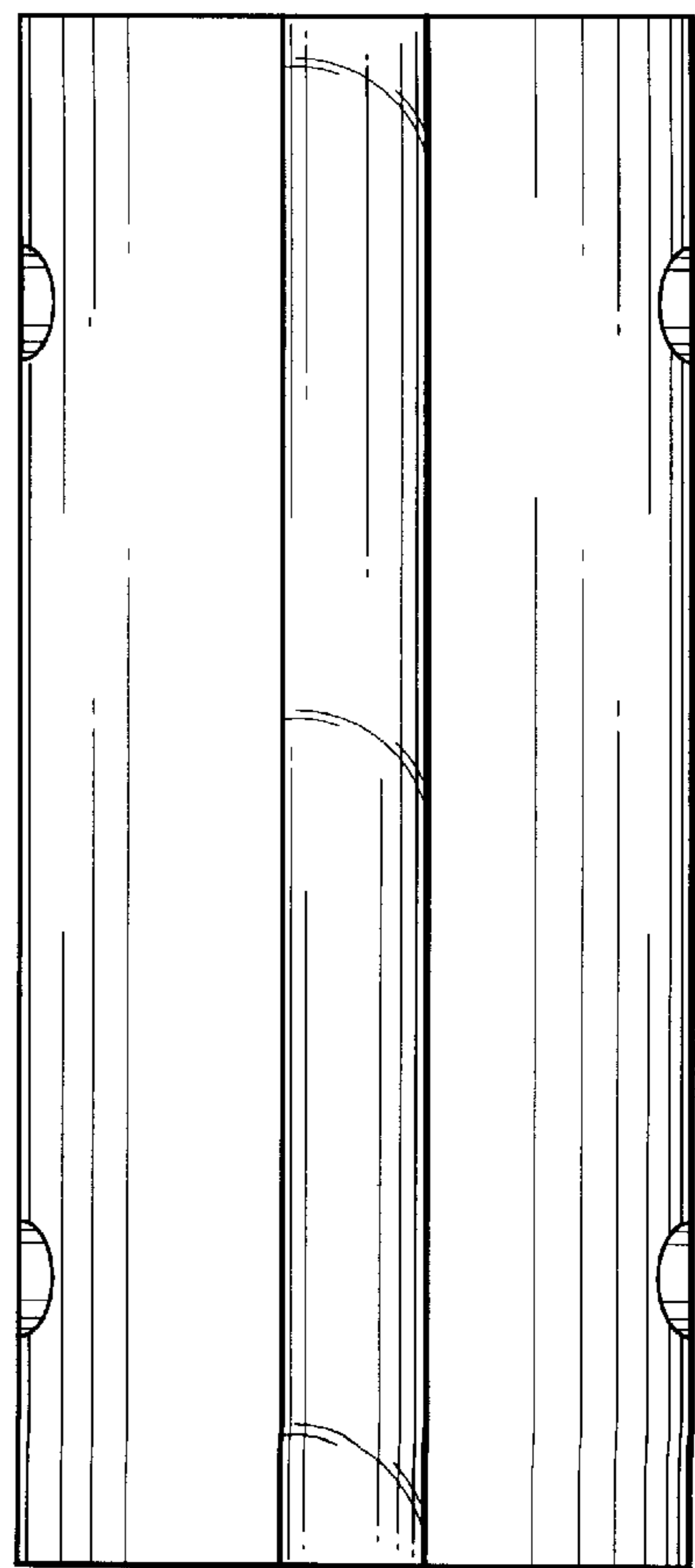


FIG. 3

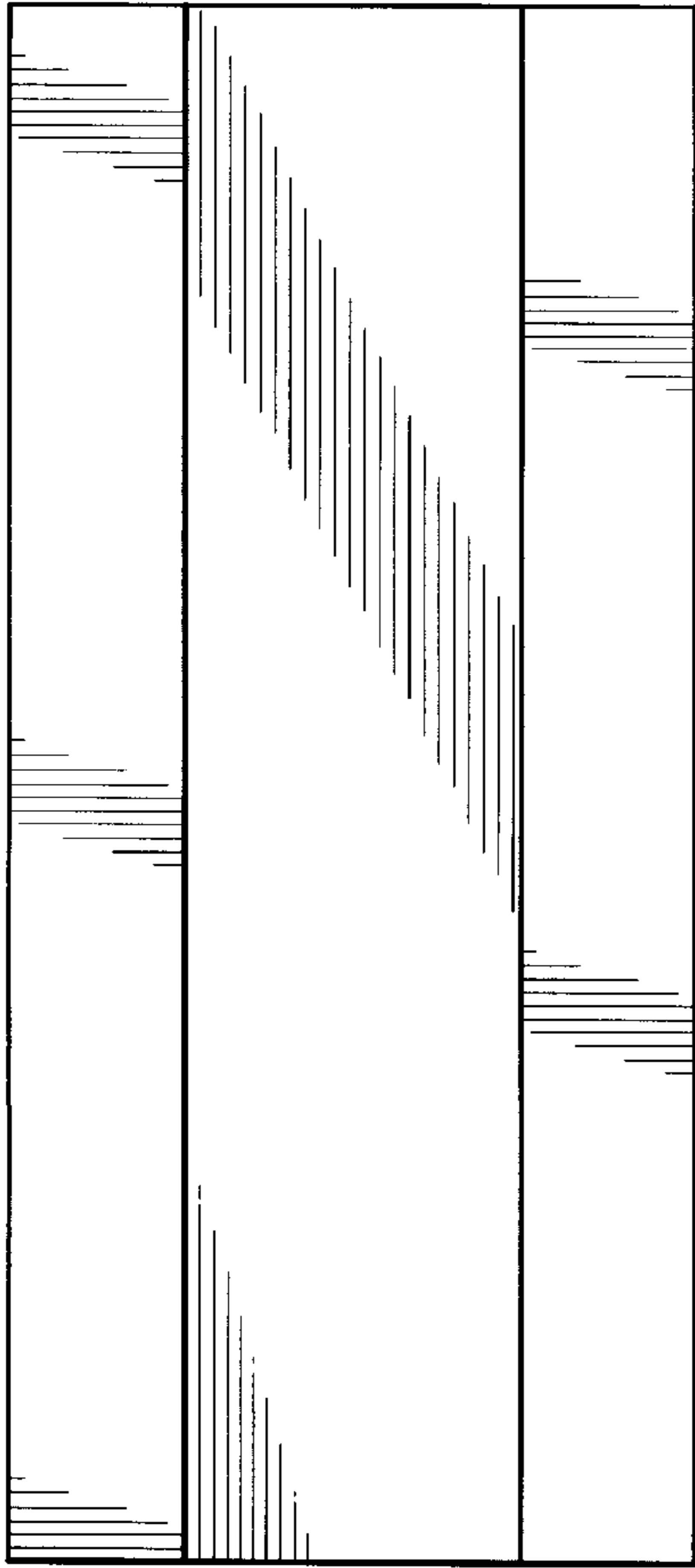


FIG. 4

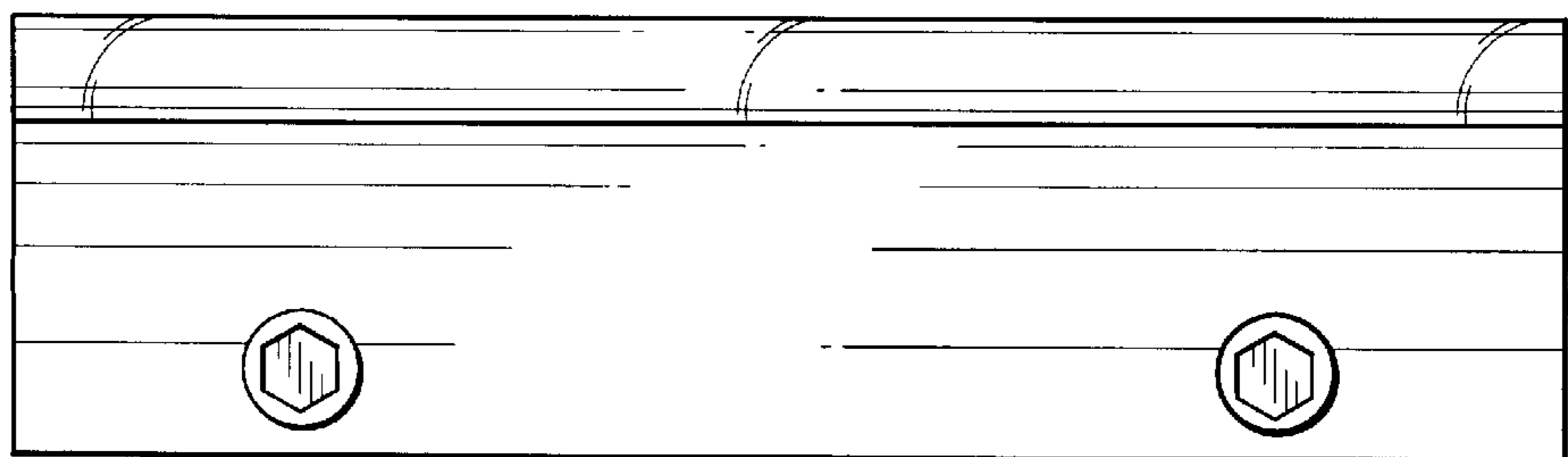


FIG. 5