



US00D421780S

# United States Patent [19] Whitesides

[11] Patent Number: Des. 421,780

[45] Date of Patent: \*\* Mar. 21, 2000

[54] COVER FOR GOLF CLUB HEADS

[75] Inventor: David M. Whitesides, Marshville, N.C.

[73] Assignee: Devant, Ltd., Monroe, N.C.

[\*\*] Term: 14 Years

[21] Appl. No.: 29/096,768

[22] Filed: Nov. 19, 1998

[51] LOC (6) Cl. .... 21-02

[52] U.S. Cl. .... D21/754

[58] Field of Search ..... D21/750; 150/160

[56] References Cited

U.S. PATENT DOCUMENTS

D. 198,093	4/1964	Bates	.....	D21/754
D. 202,199	9/1965	Bates	.....	D21/754
D. 295,544	5/1988	Rice	.....	D21/754
D. 374,051	9/1996	Sheppard, Jr.	.....	D21/754
D. 393,893	4/1998	Pollard	.....	D21/754
3,023,795	3/1962	Denkert	.....	150/160
3,638,284	2/1972	Baker	.....	150/160
3,727,659	4/1973	Shuford	.....	150/160
5,284,194	2/1994	Gaffney	.....	150/160
5,547,193	8/1996	Sander	.....	150/160
5,738,157	4/1998	Gaffney	.....	150/160

Primary Examiner—Mitchell Siegel  
Attorney, Agent, or Firm—Dougherty & Associates

[57] CLAIM

The ornamental design for a cover for golf club heads, as shown and described.

DESCRIPTION

FIG. 1 is a perspective view of my cover for golf club heads showing my new design;  
FIG. 2 is a front elevational view of the embodiment of FIG. 1;  
FIG. 3 is a rear elevational view of the embodiment of FIG. 1;

FIG. 4 is a right side elevational view of the embodiment of FIG. 1; the left side elevational view being a mirror image thereof; and

FIG. 5 is a top plan view of the embodiment of FIG. 1;  
FIG. 6 is a bottom plan view of the embodiment of FIG. 1;  
FIG. 7 is a perspective view of a second embodiment of my cover for golf club heads as disclosed in FIG. 1;

FIG. 8 is a front elevational view of the embodiment of FIG. 7;

FIG. 9 is a right side elevational view of the embodiment of FIG. 7, the left side elevational view being a mirror image thereof; and

FIG. 10 is a rear elevational view of the embodiment of FIG. 7;

FIG. 11 is a top plan view of the embodiment of FIG. 7;  
FIG. 12 is a bottom plan view of the embodiment of FIG. 7;  
FIG. 13 is a perspective view of a third embodiment of my cover for golf club heads as disclosed in FIG. 1;

FIG. 14 is a front elevational view of the embodiment of FIG. 13;

FIG. 15 is a right side elevational view of the embodiment of FIG. 13, the left side elevational view being a mirror image thereof; and

FIG. 16 is a rear elevational view of the embodiment of FIG. 13;

FIG. 17 is a top plan view of the embodiment of FIG. 13;  
FIG. 18 is a bottom plan view of the embodiment of FIG. 13;  
FIG. 19 is a perspective view of a fourth embodiment of my cover for golf club heads as disclosed in FIG. 1;

FIG. 20 is a front elevational view of the embodiment of FIG. 19;

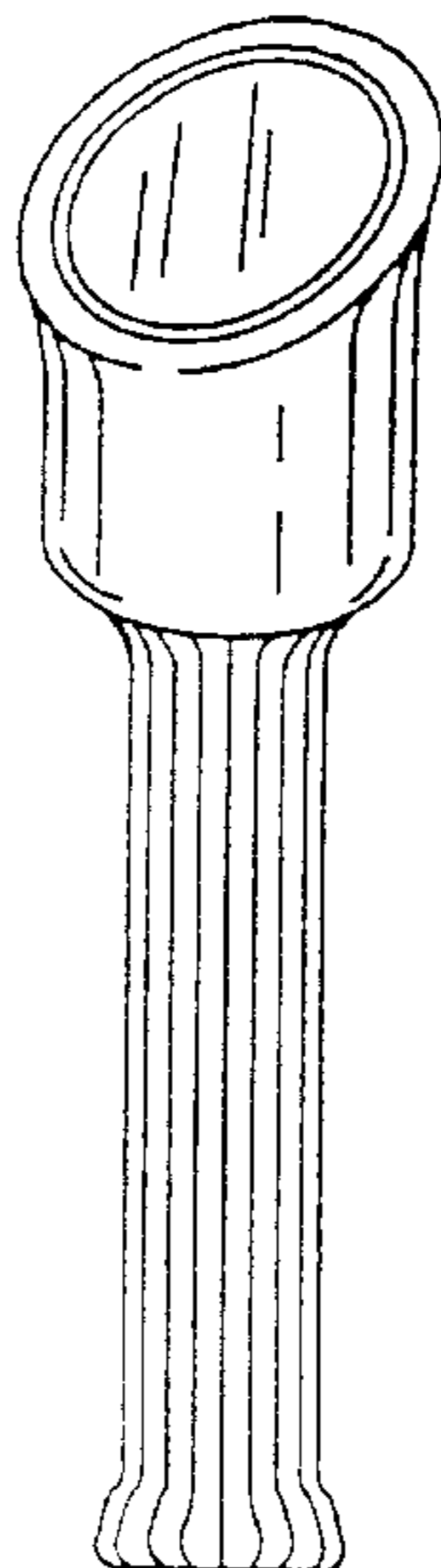
FIG. 21 is a right side elevational view of the embodiment of FIG. 19, the left side elevational view being a mirror image thereof; and

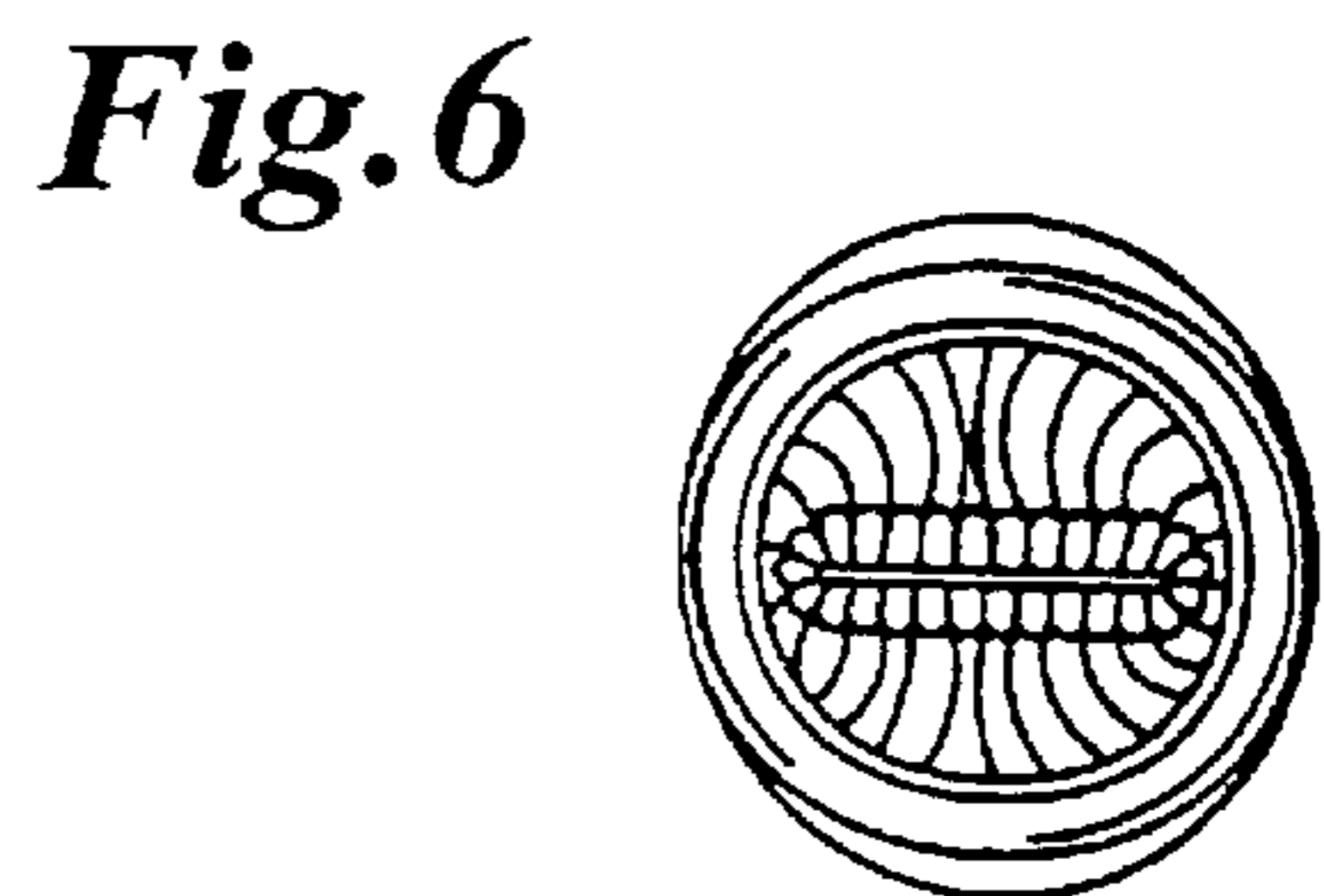
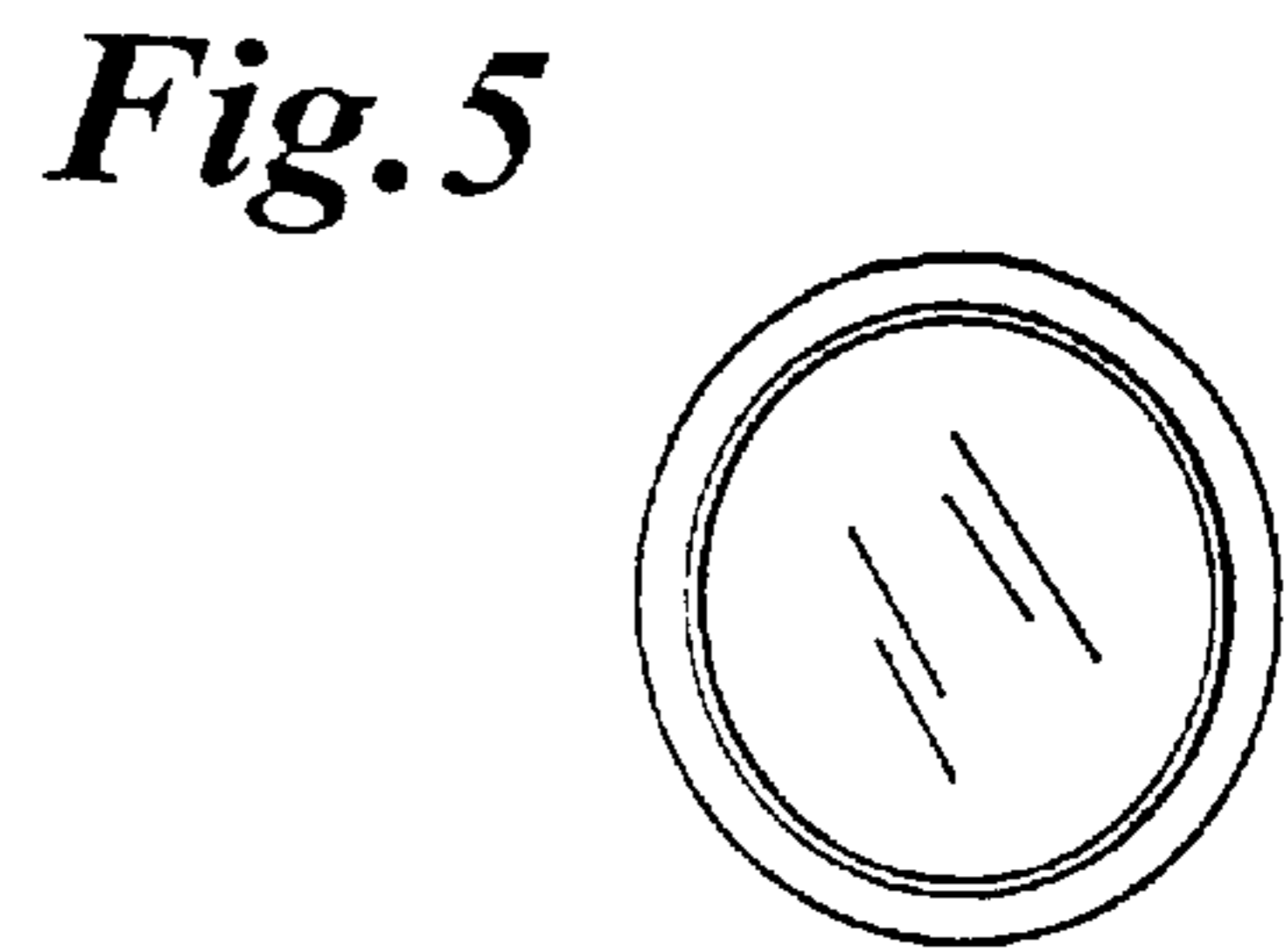
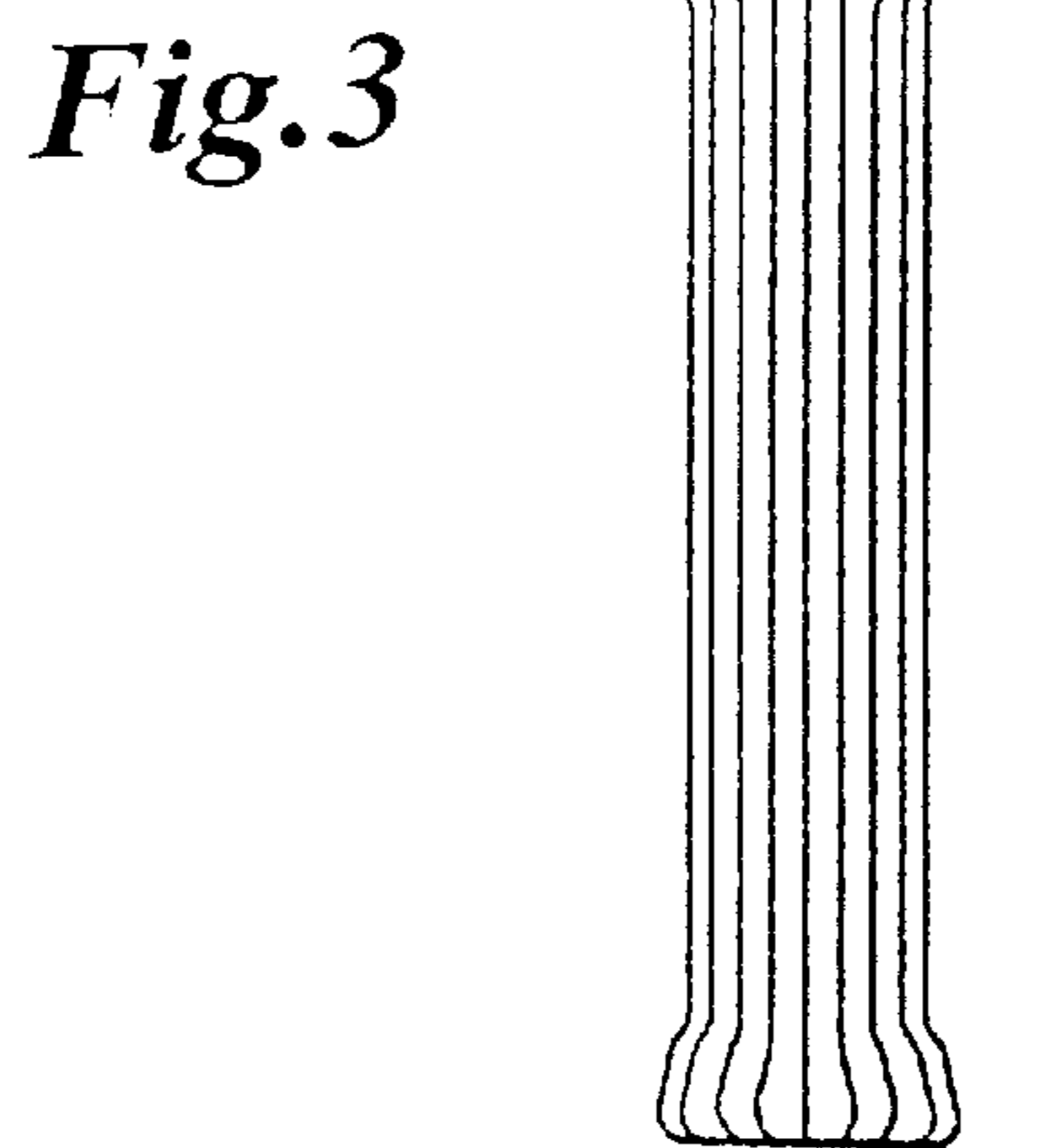
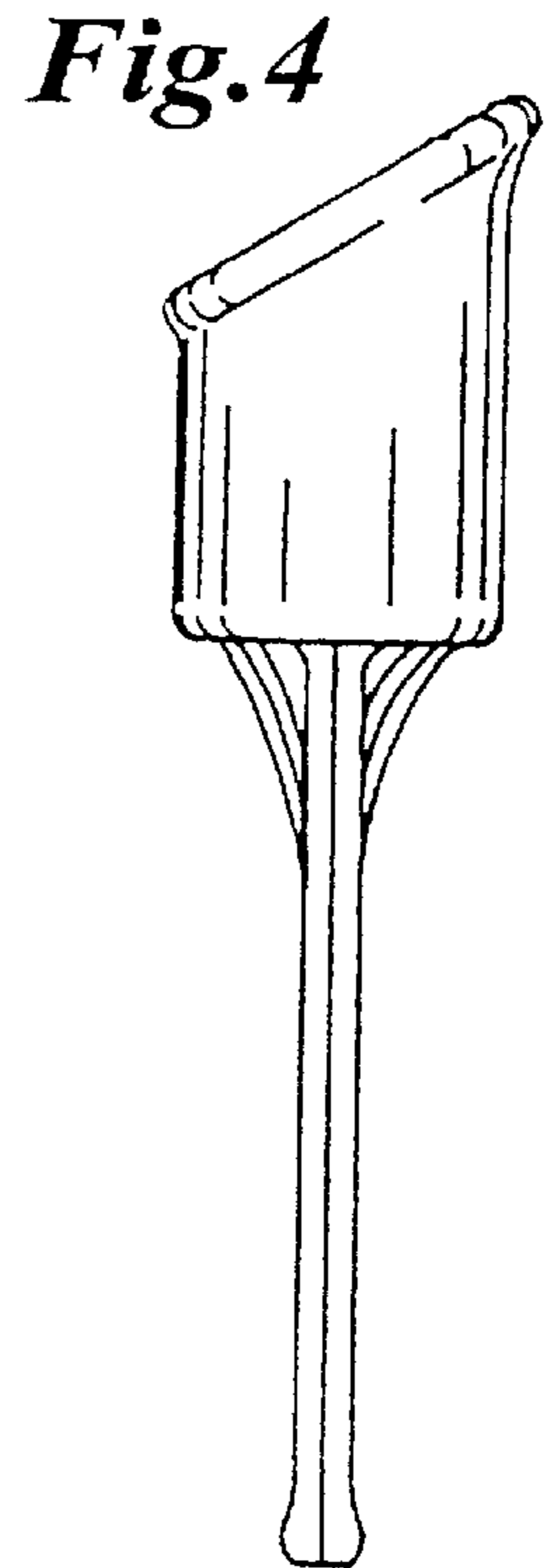
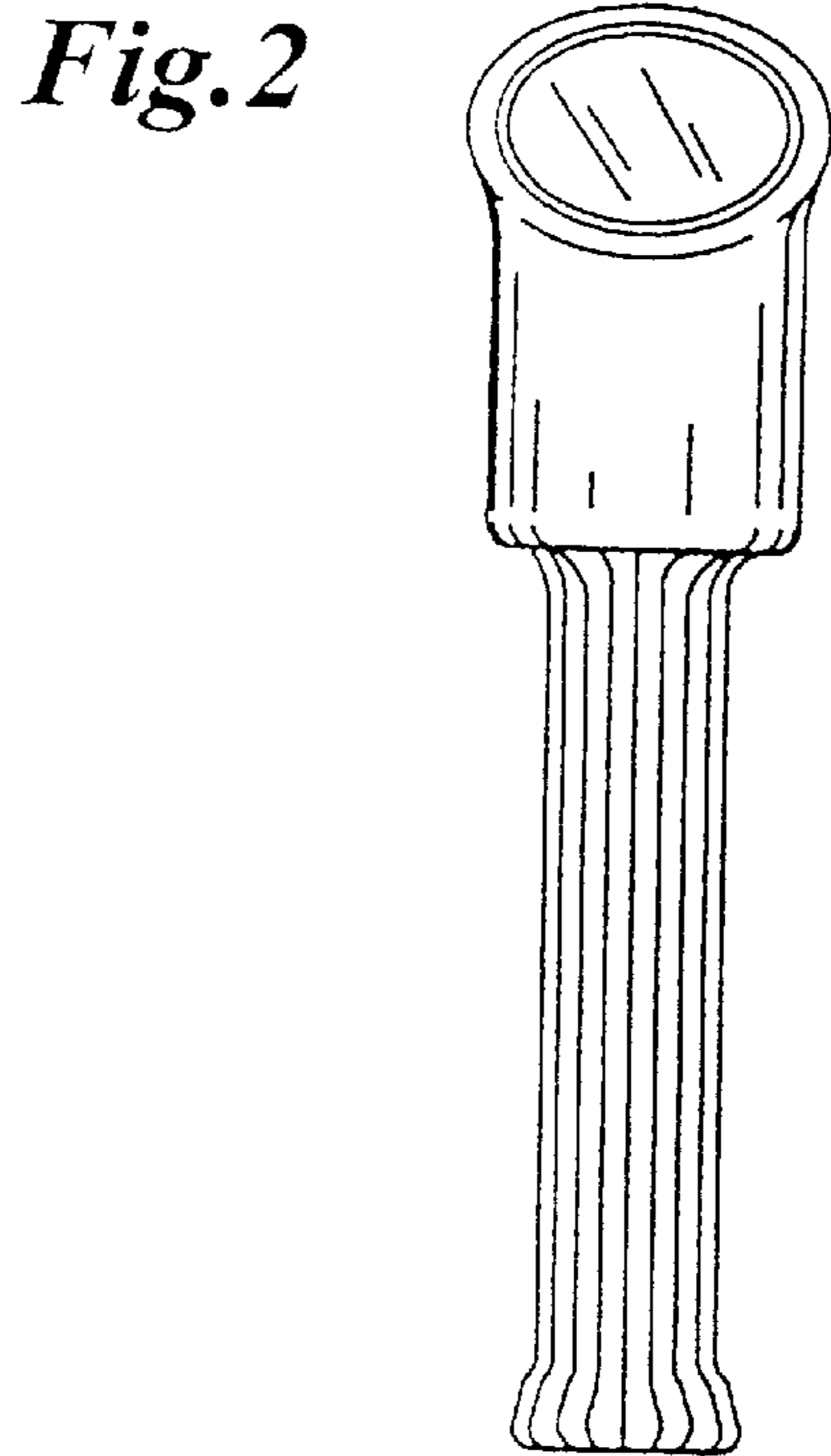
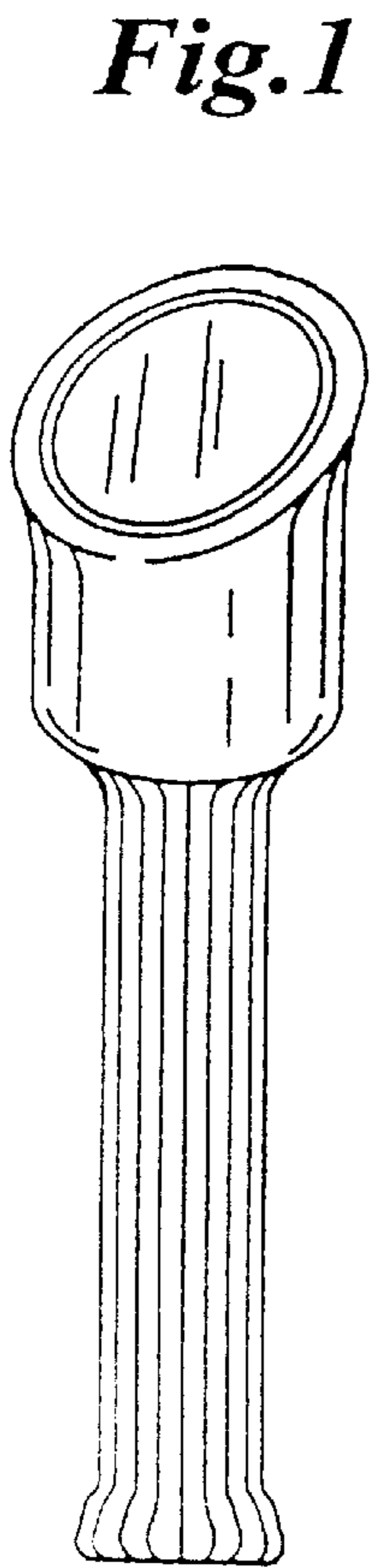
FIG. 22 is a rear elevational view of the embodiment of FIG. 19;

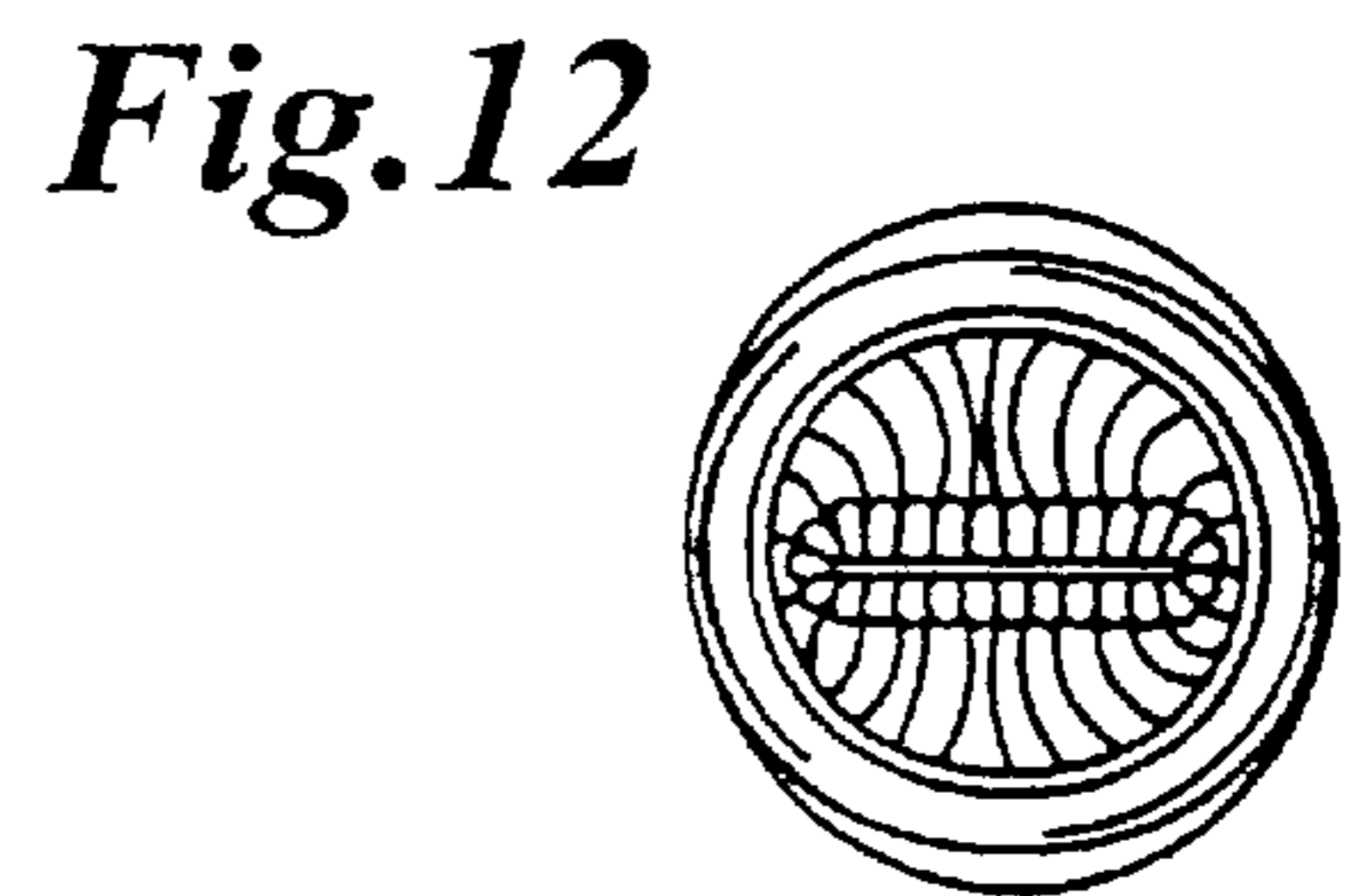
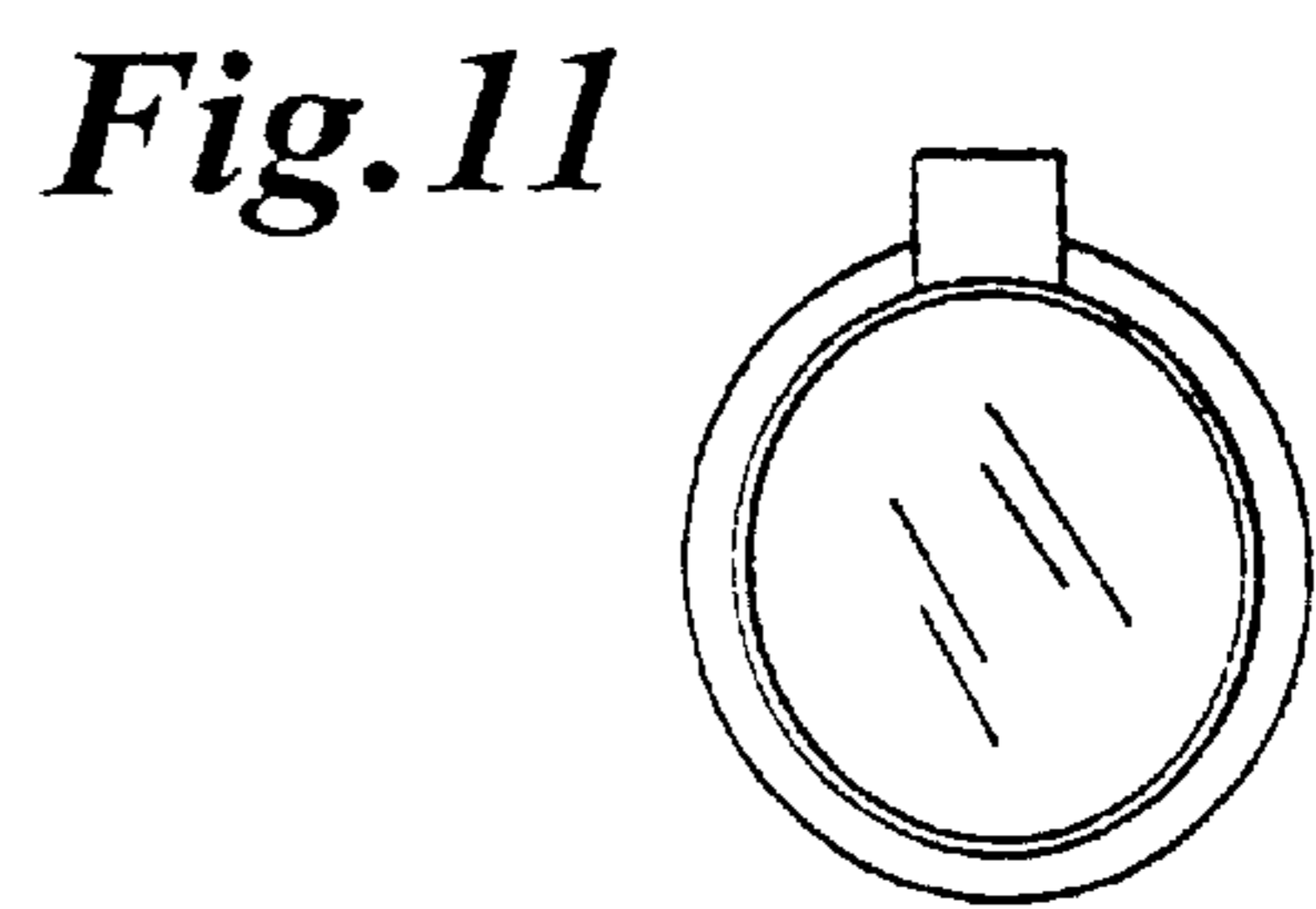
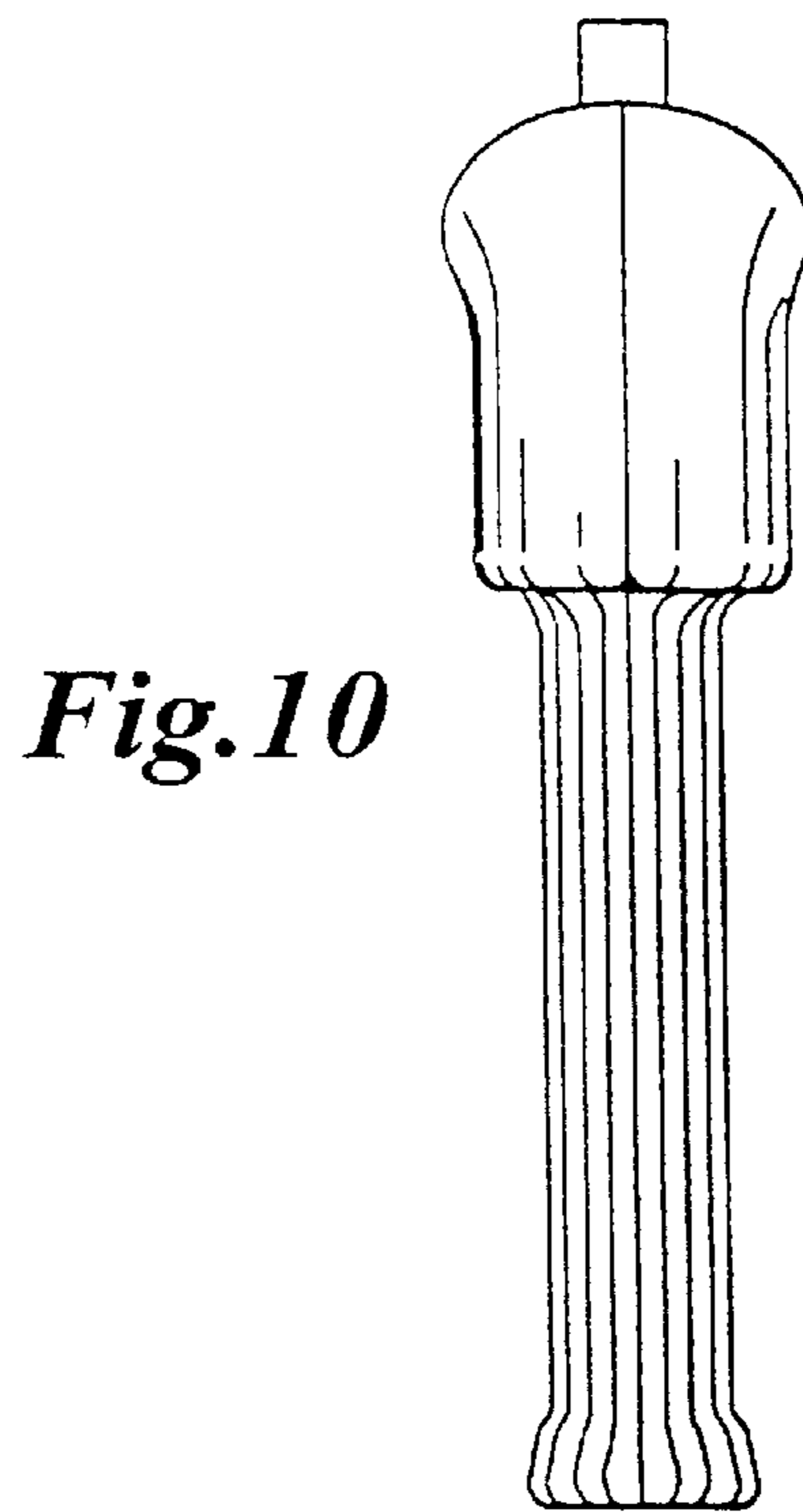
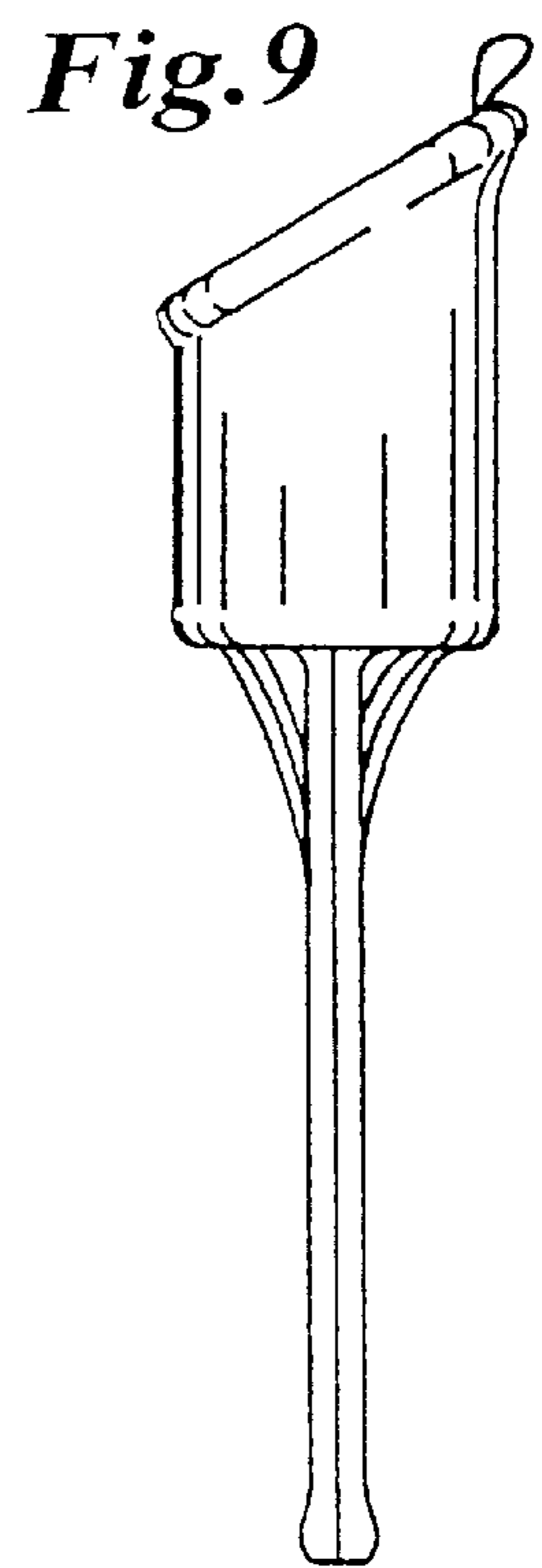
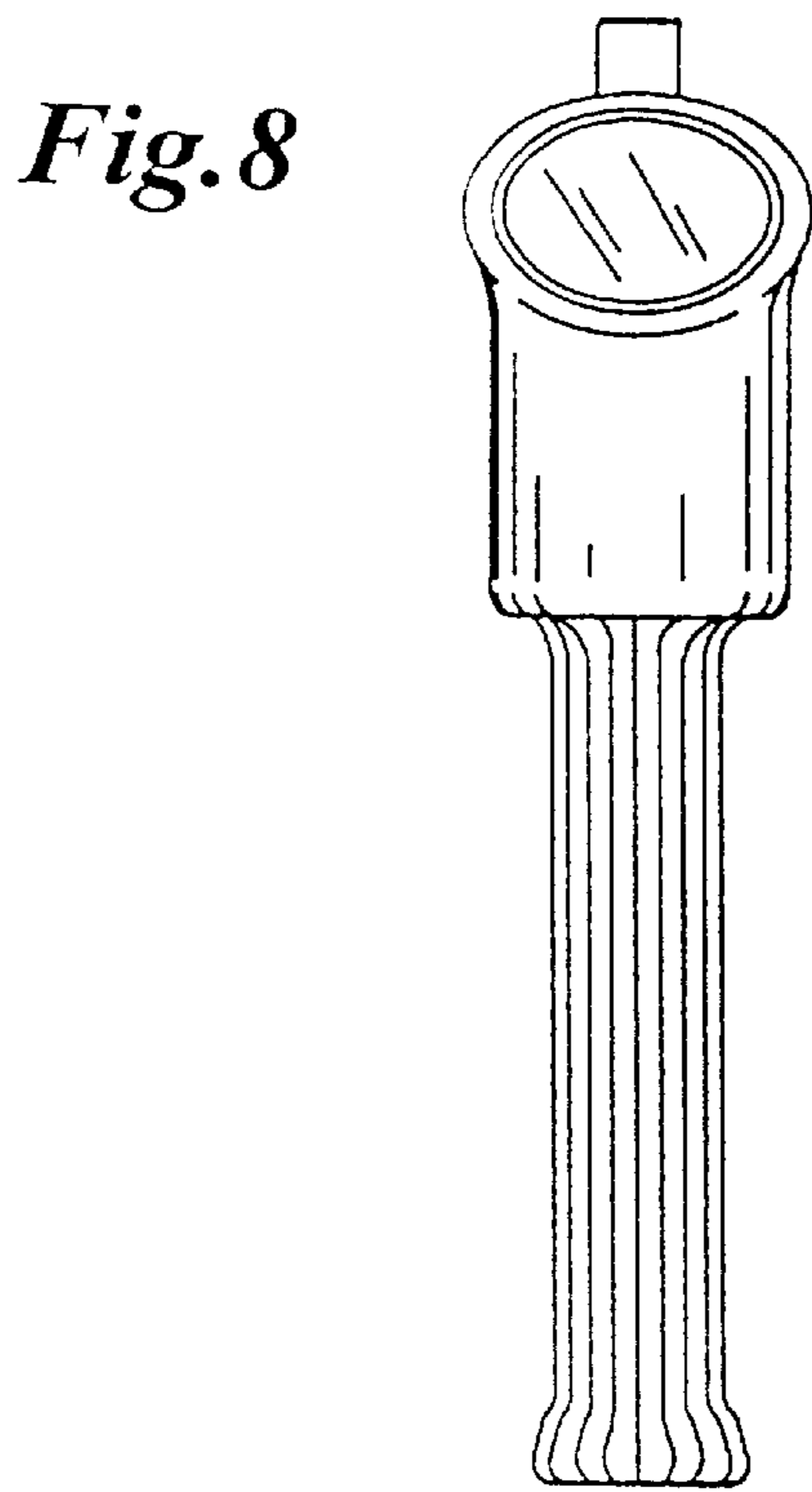
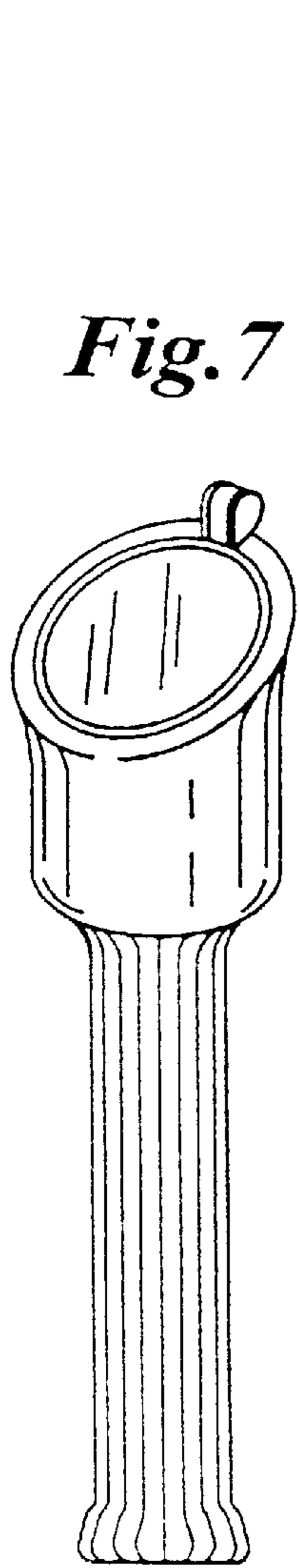
FIG. 23 is a top plan view of the embodiment of FIG. 19; and,

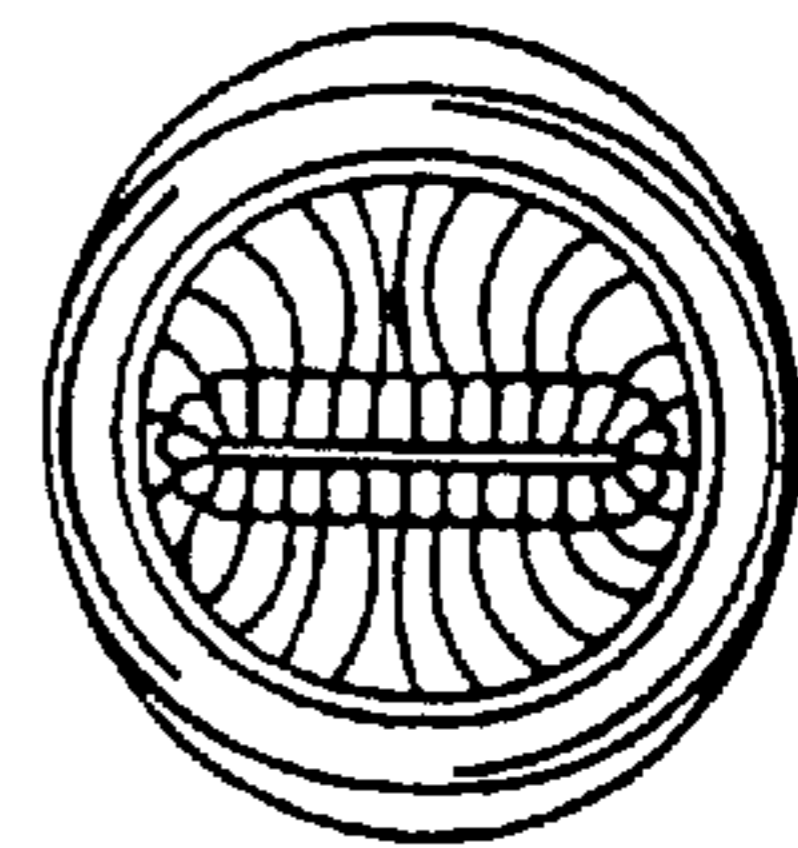
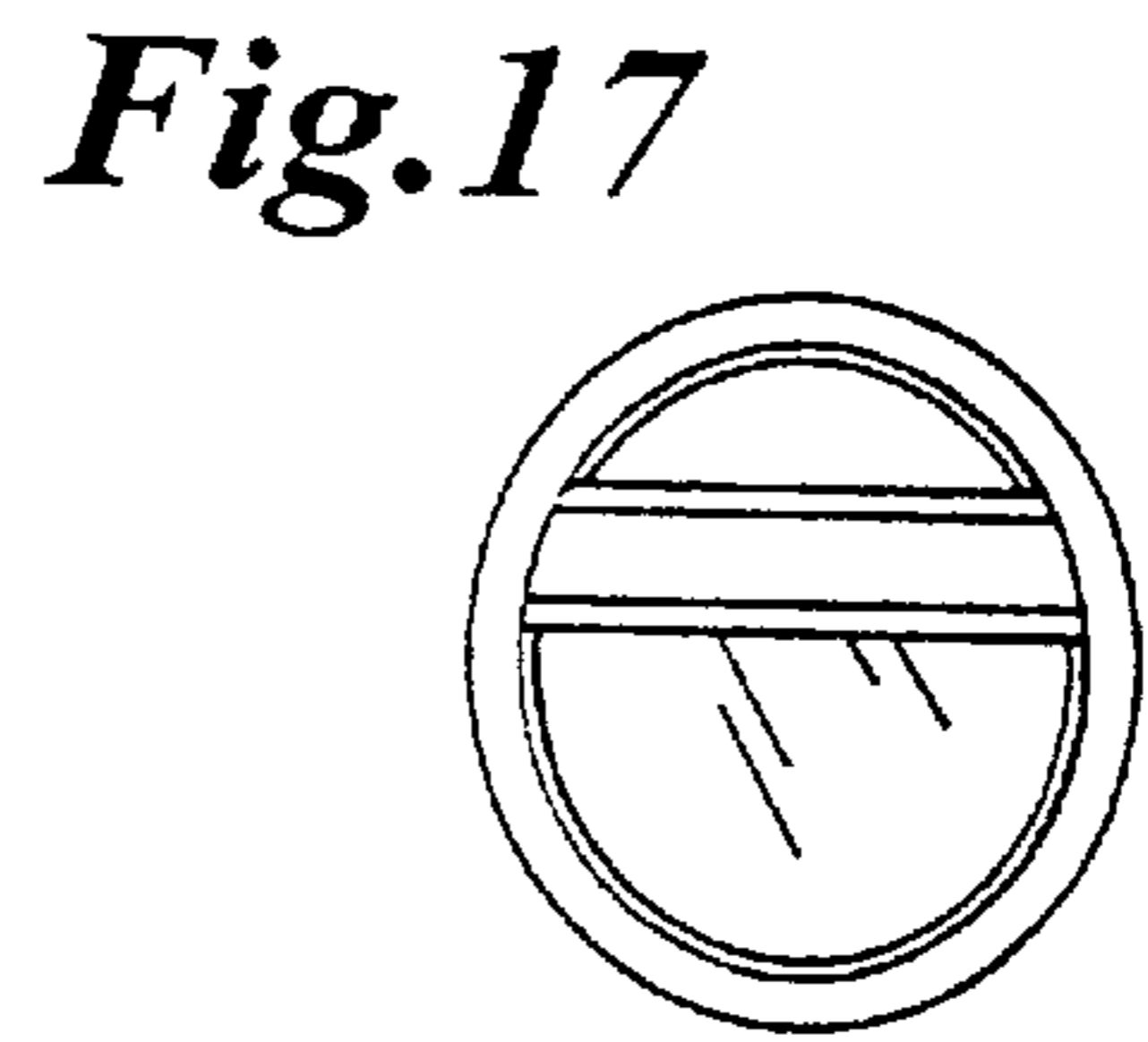
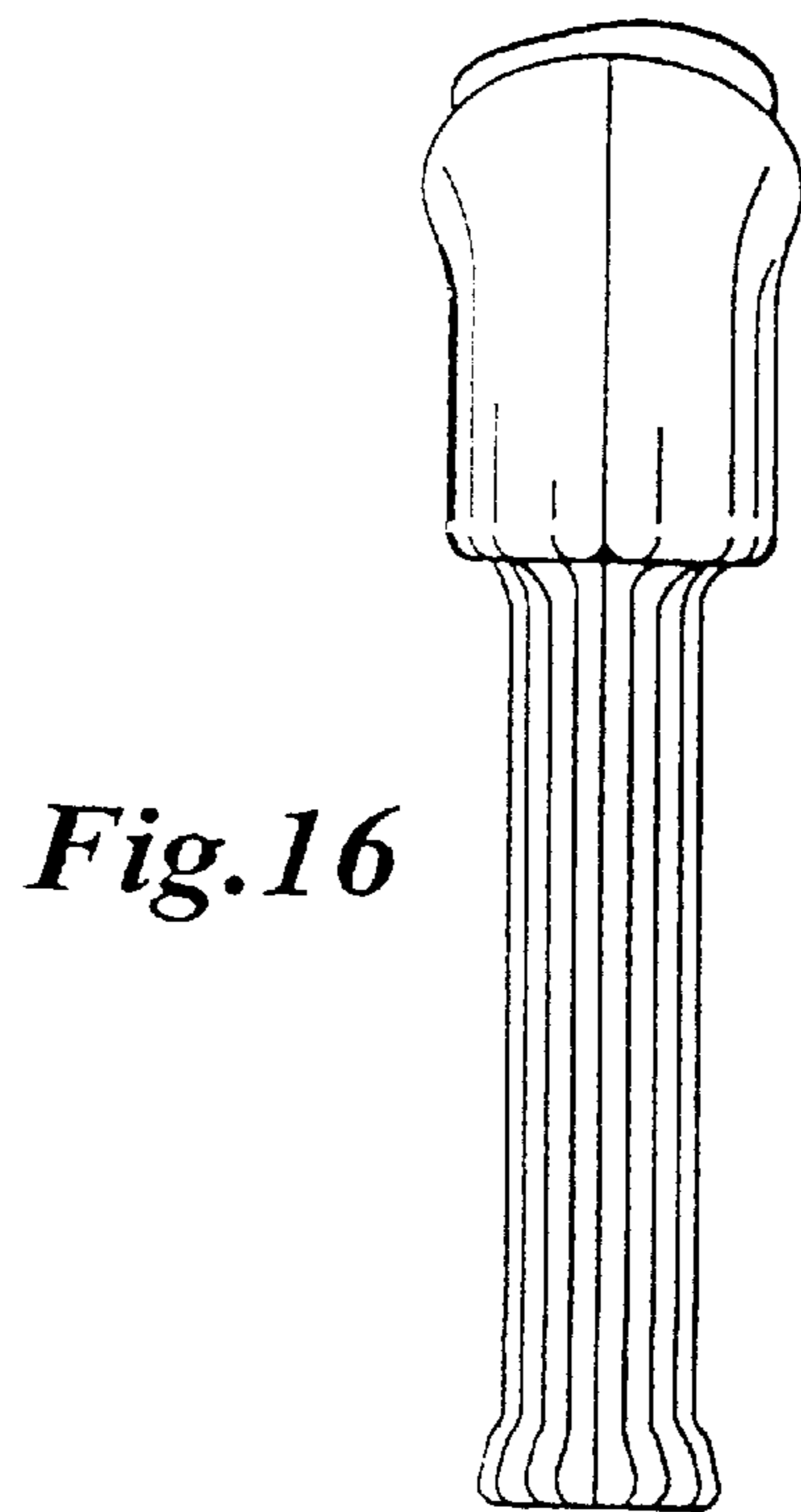
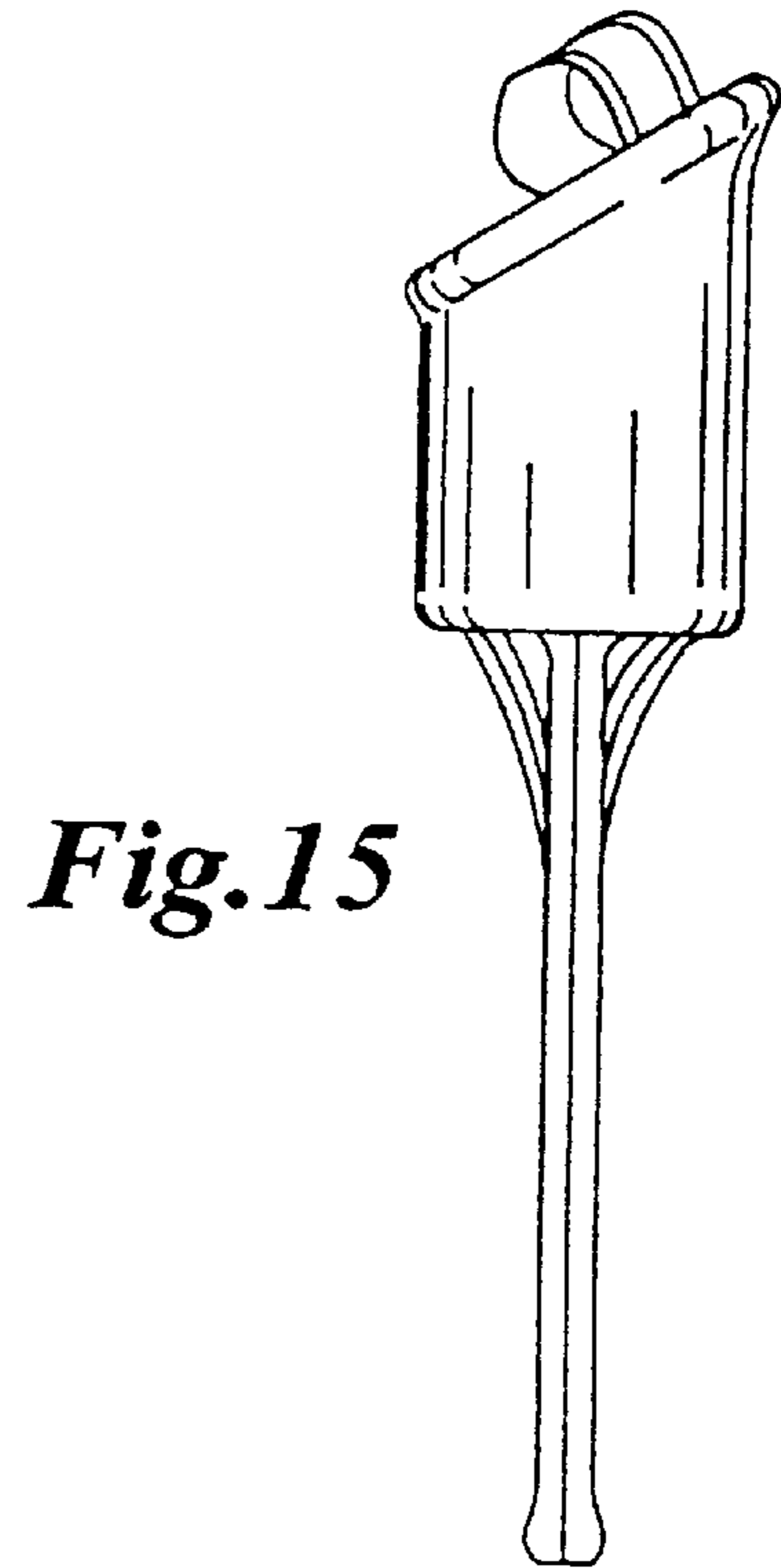
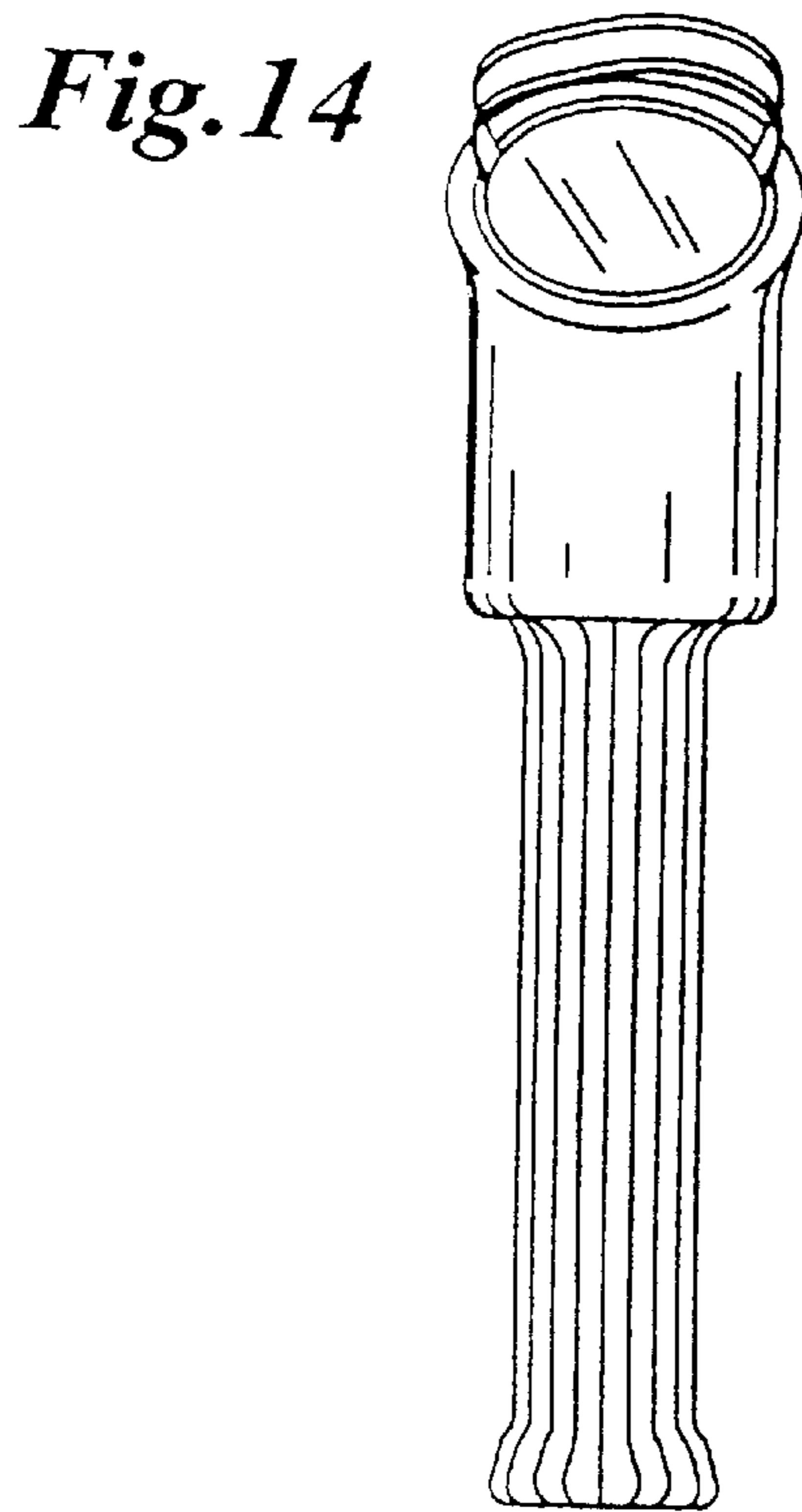
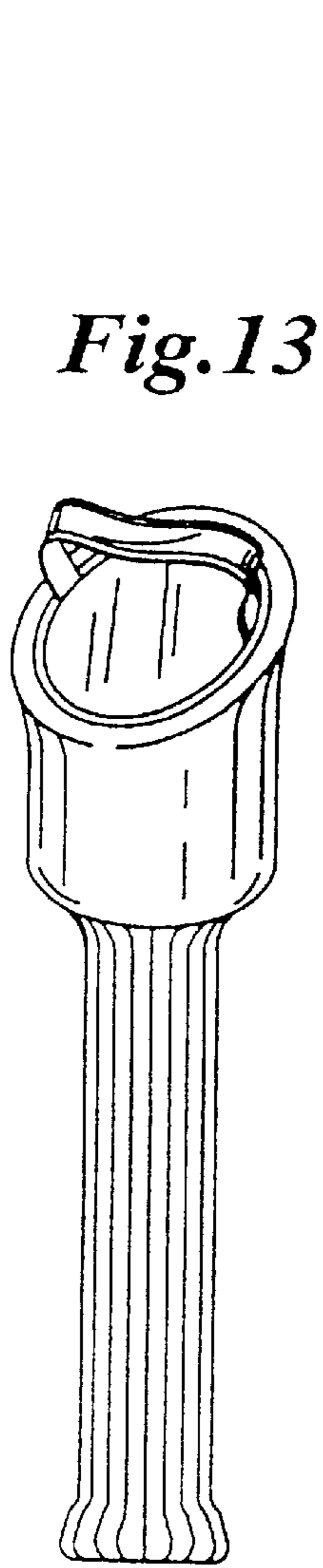
FIG. 24 is a bottom plan view of the embodiment of FIG. 19.

1 Claim, 4 Drawing Sheets

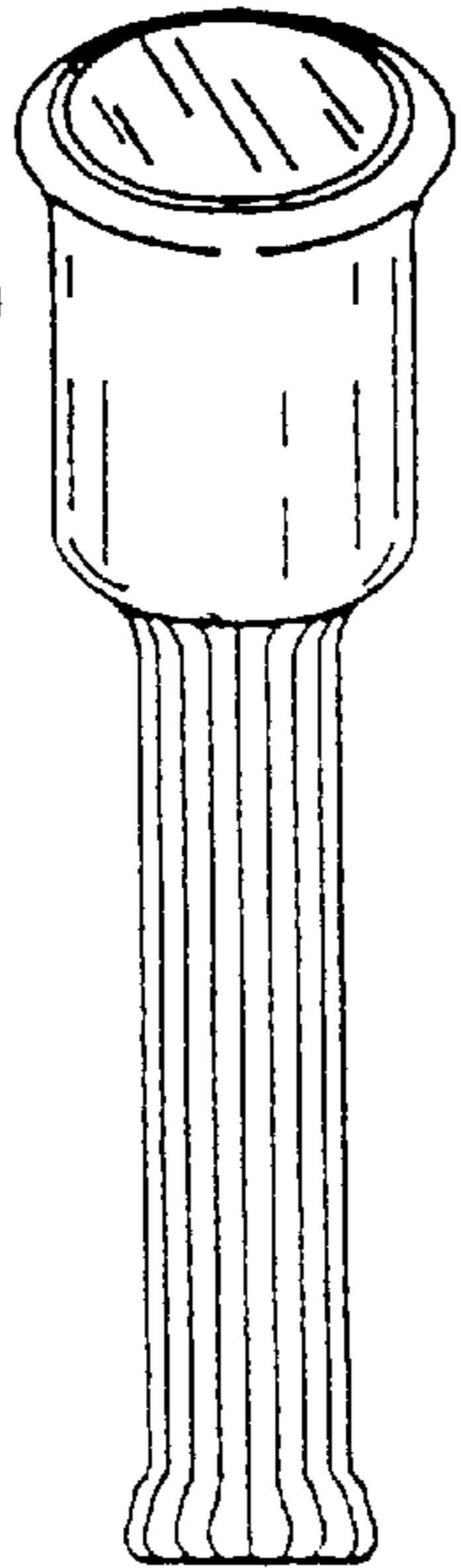




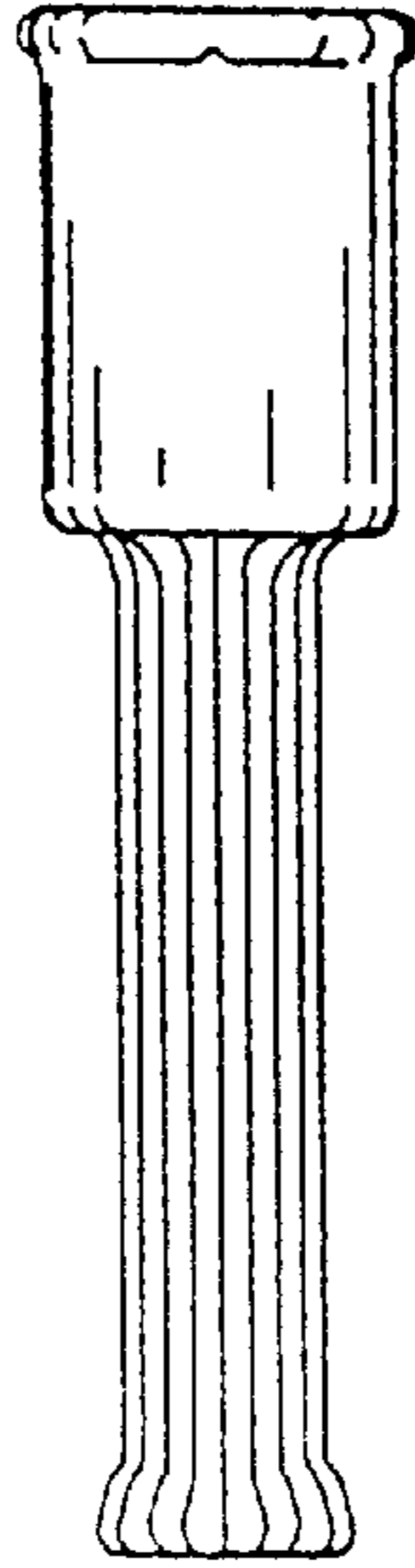




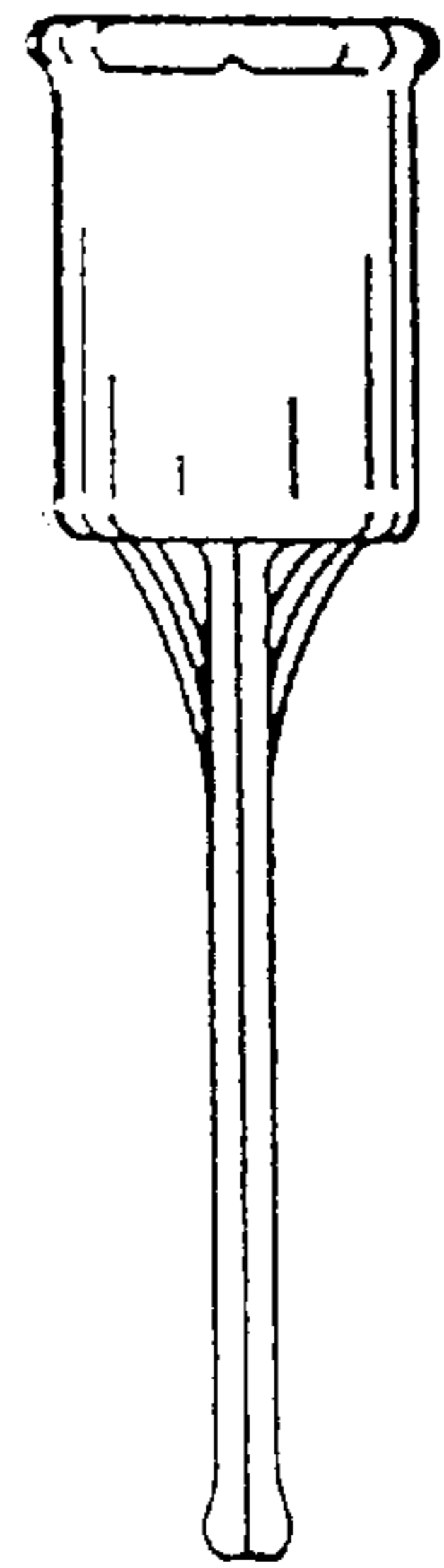
*Fig.19*



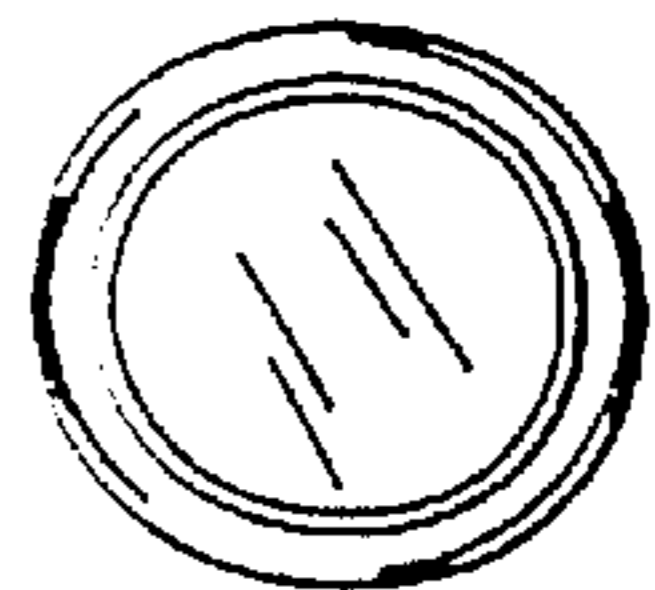
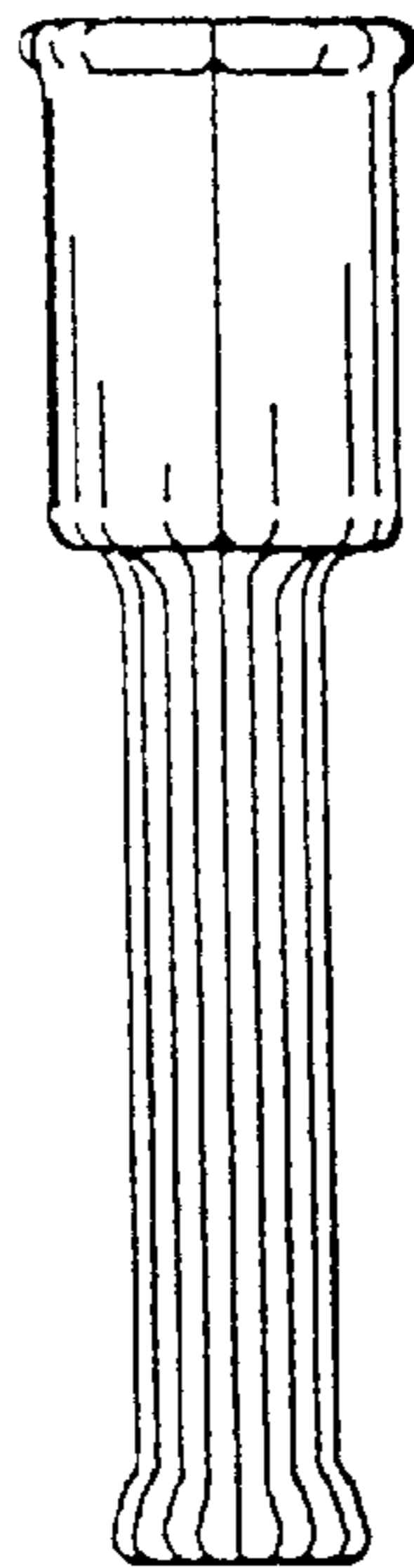
*Fig.20*



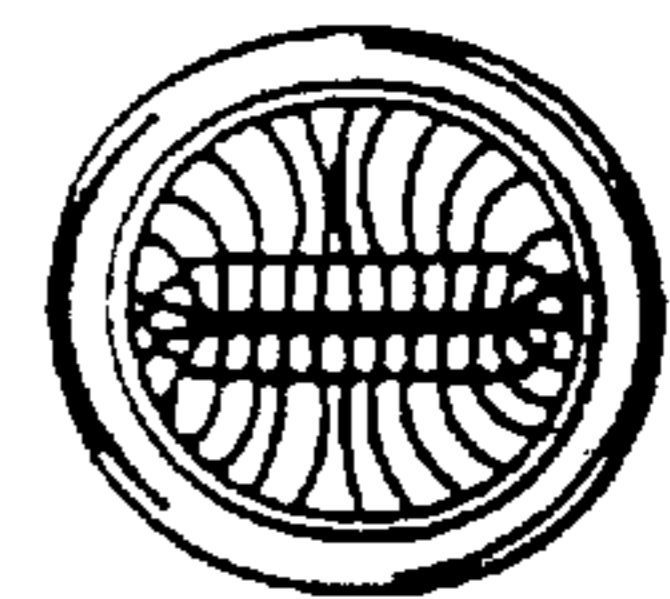
*Fig.21*



*Fig.22*



*Fig.23*



*Fig.24*