



US00D421779S

United States Patent [19]

Piaget et al.

[11] Patent Number: **Des. 421,779**

[45] Date of Patent: **** Mar. 21, 2000**

[54] TREADMILL-TYPE EXERCISE APPARATUS

[76] Inventors: **Gary D. Piaget**, 3390 American Saddle Dr., Park City, Utah 84060;
Jeffrey S. Heaton, 668 Tenth Ave., Kirkland, Wash. 98033

[**] Term: **14 Years**

[21] Appl. No.: **29/061,891**

[22] Filed: **Nov. 1, 1996**

[51] LOC (6) Cl. **21-02**

[52] U.S. Cl. **D21/669**

[58] Field of Search D21/191, 192,
D21/193, 194; 482/54, 51, 52, 53

[56] **References Cited**

U.S. PATENT DOCUMENTS

- D. 289,312 4/1987 Trulaske et al. D21/192
- D. 313,826 1/1991 Birrell et al. D21/192
- D. 315,765 3/1991 Measom et al. D21/192

- D. 321,734 11/1991 Dunham et al. D21/192
- D. 333,330 2/1993 Clem D21/192
- 5,336,146 8/1994 Piaget et al. 482/54
- 5,538,489 7/1996 Magid 482/54

Primary Examiner—Philip S. Hyder
Attorney, Agent, or Firm—Barlow, Josephs & Holmes, Ltd.

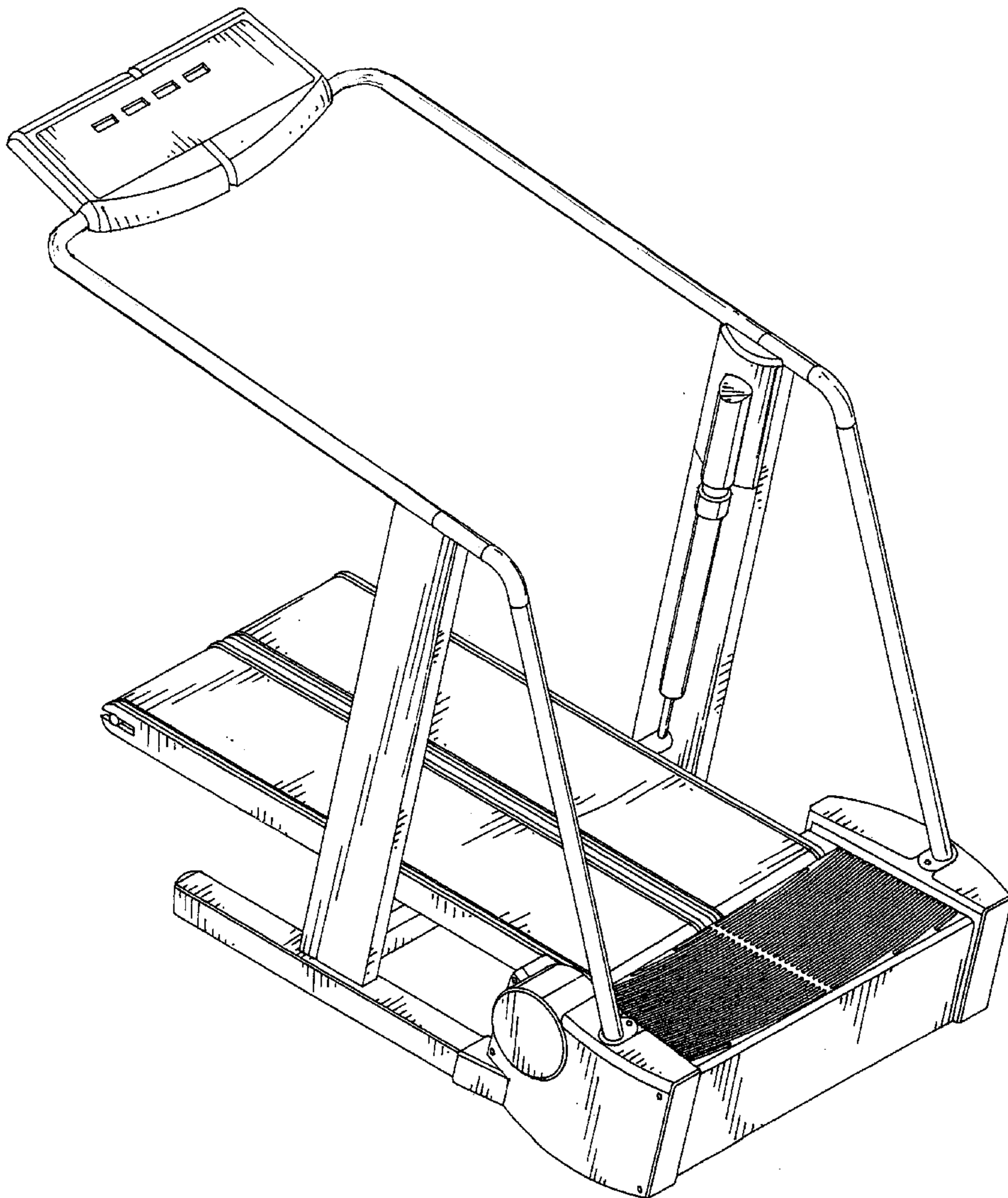
[57] **CLAIM**

The ornamental design for a treadmill-type exercise apparatus, as shown.

DESCRIPTION

FIG. 1 is a left side view showing our new design for a treadmill-type exercise apparatus;
FIG. 2 is a right side view thereof;
FIG. 3 is a front view thereof;
FIG. 4 is a rear view thereof;
FIG. 5 is a top view thereof;
FIG. 6 is a bottom view thereof; and,
FIG. 7 is a perspective view thereof.

1 Claim, 7 Drawing Sheets



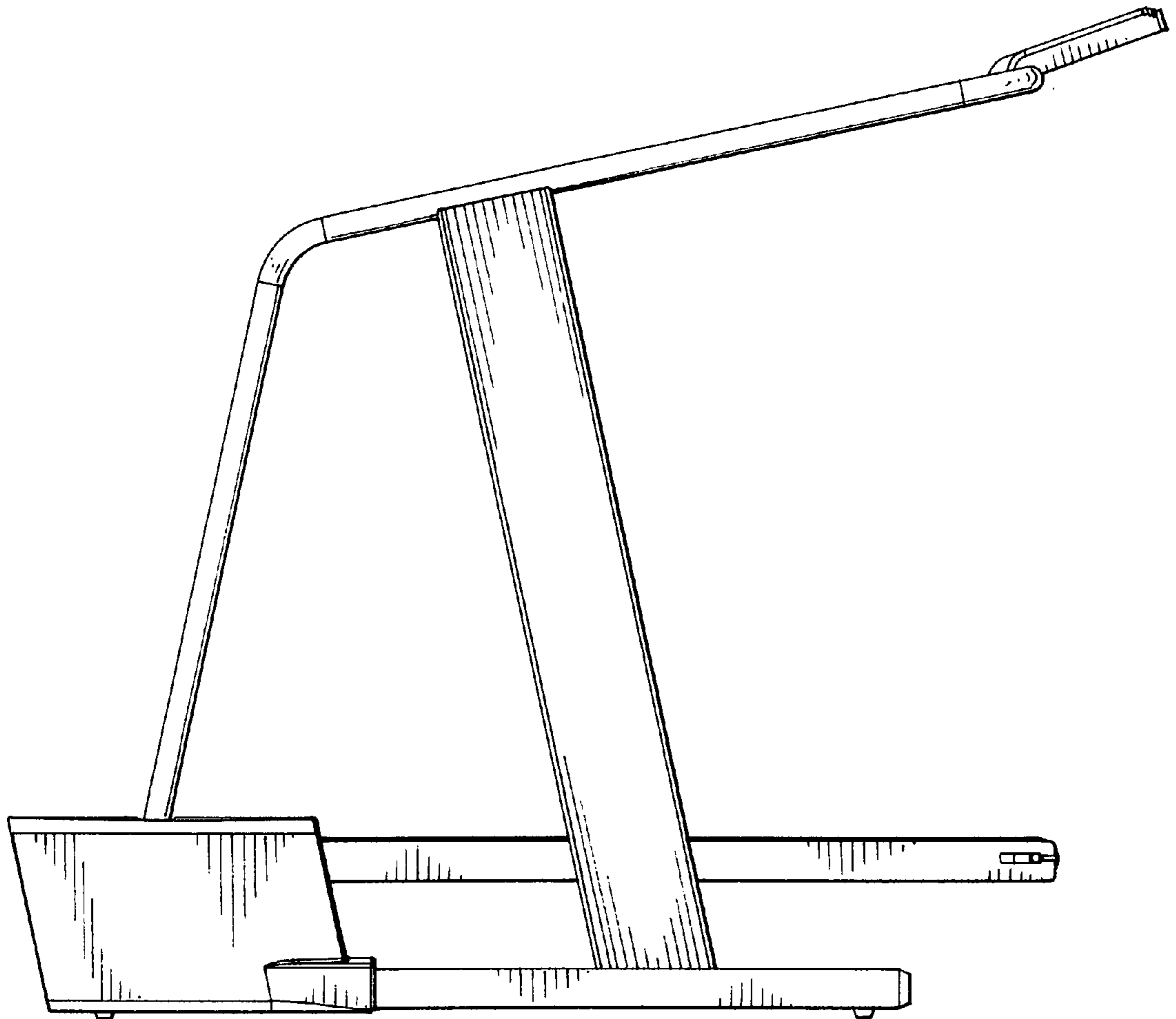


FIG. 1

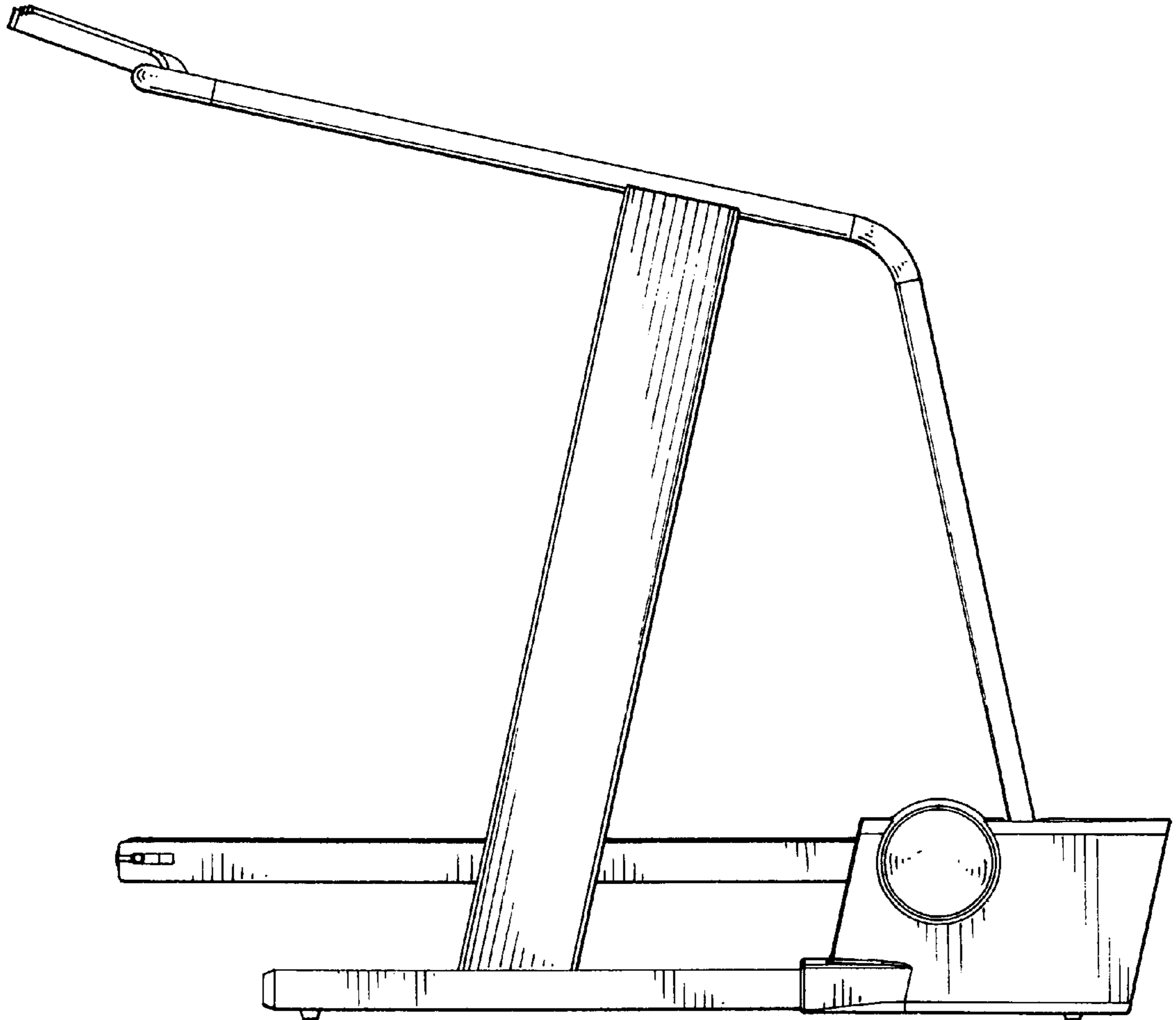


FIG. 2

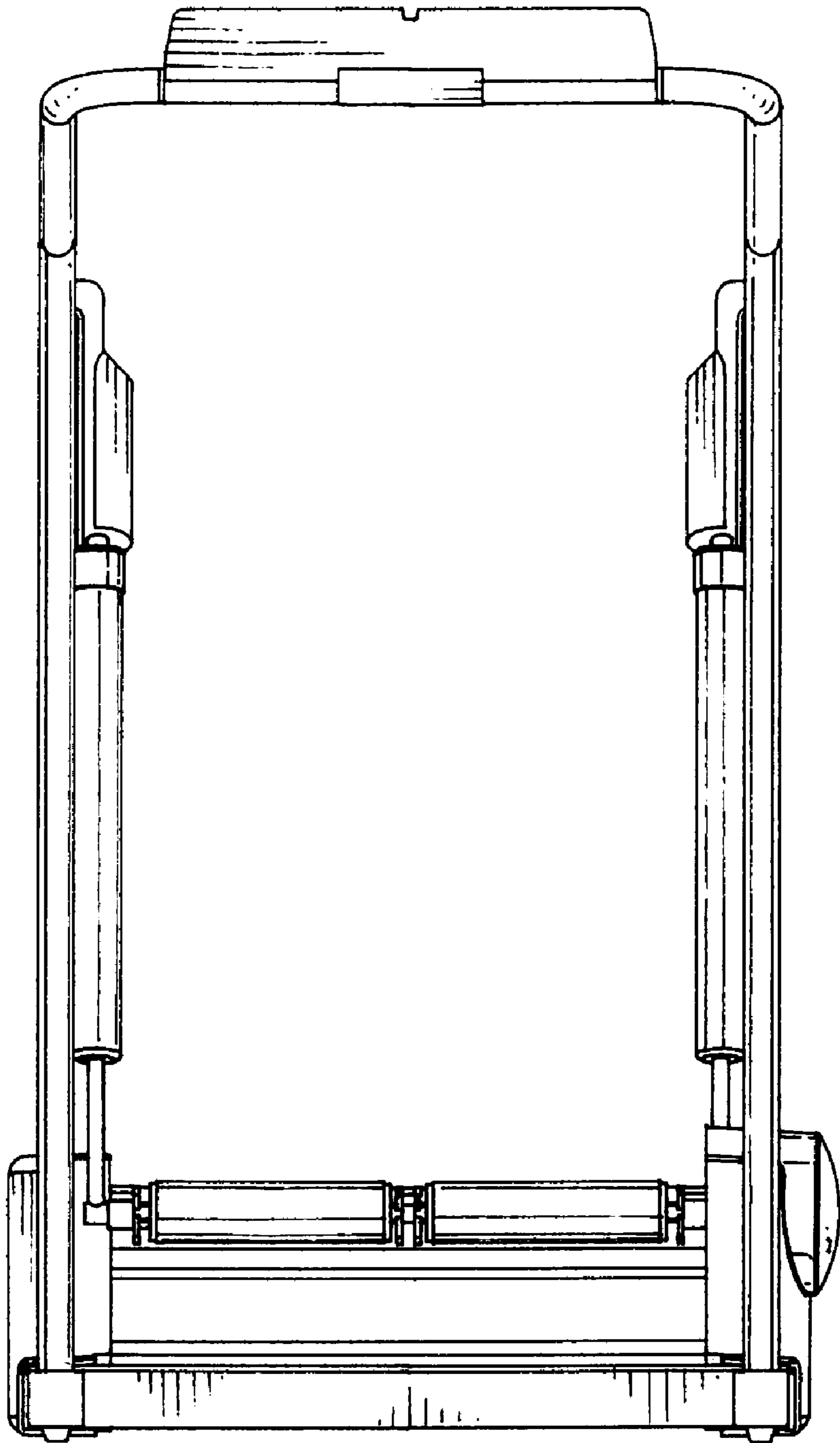


FIG. 3

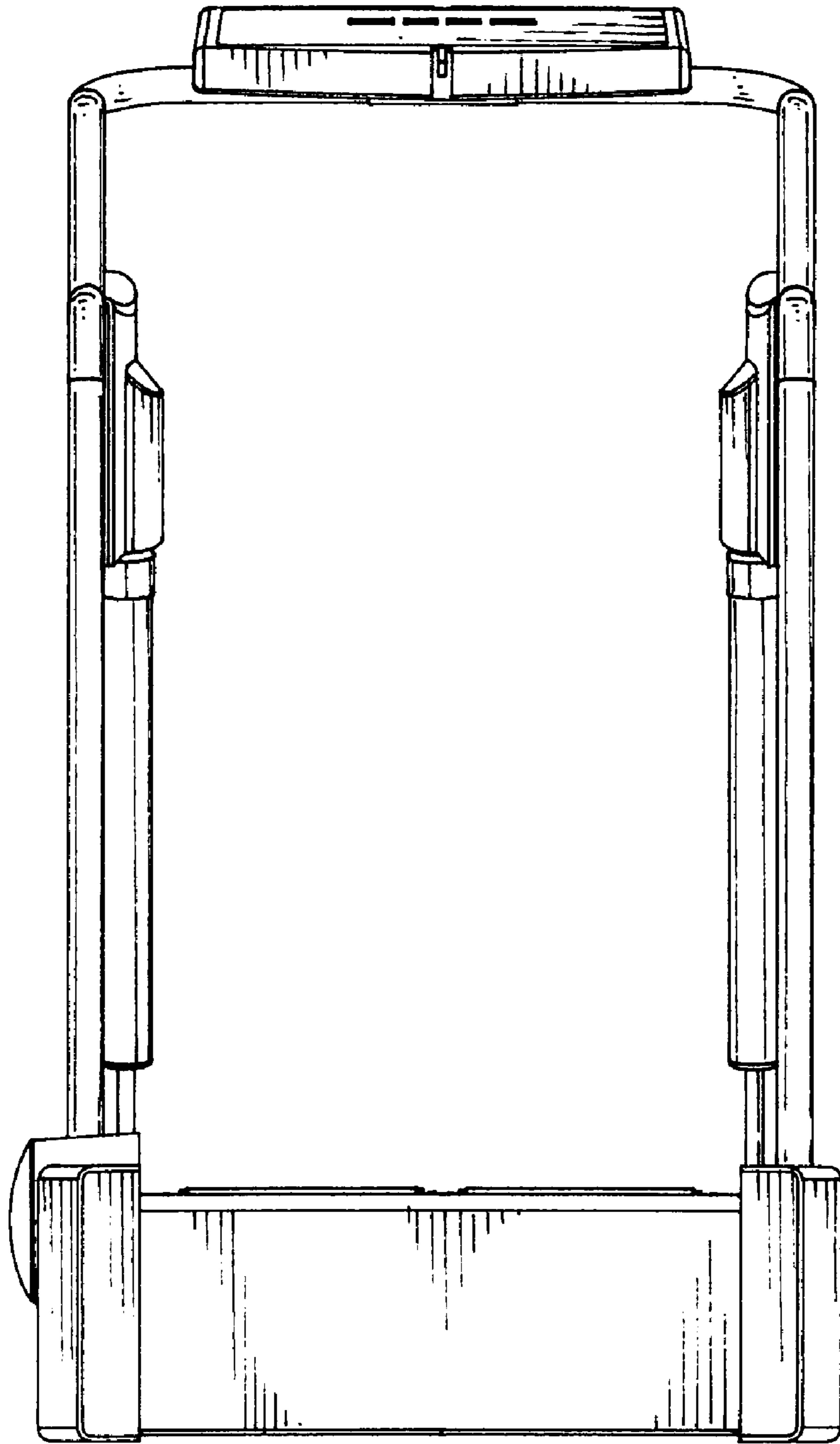


FIG. 4

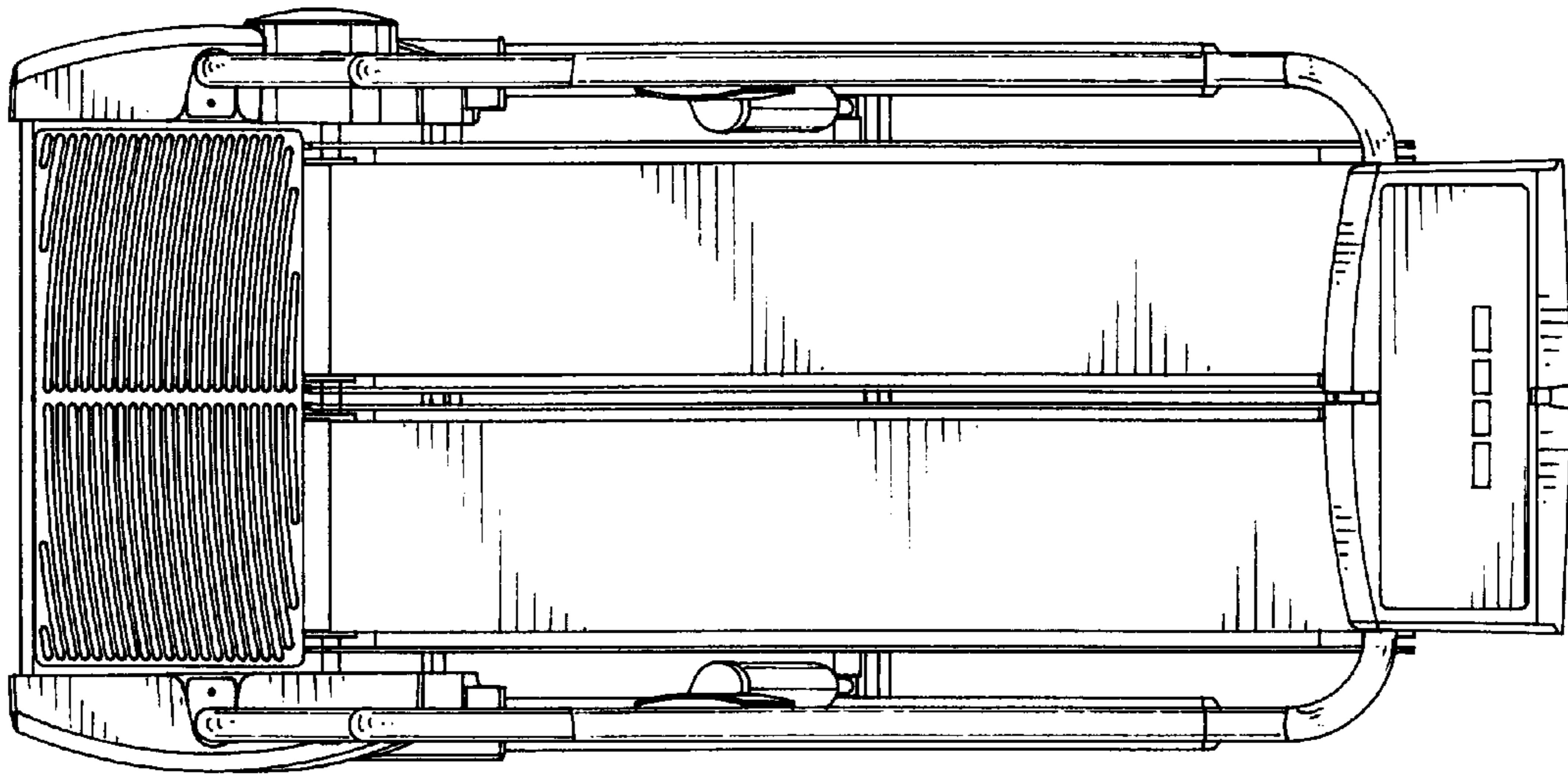


FIG. 5

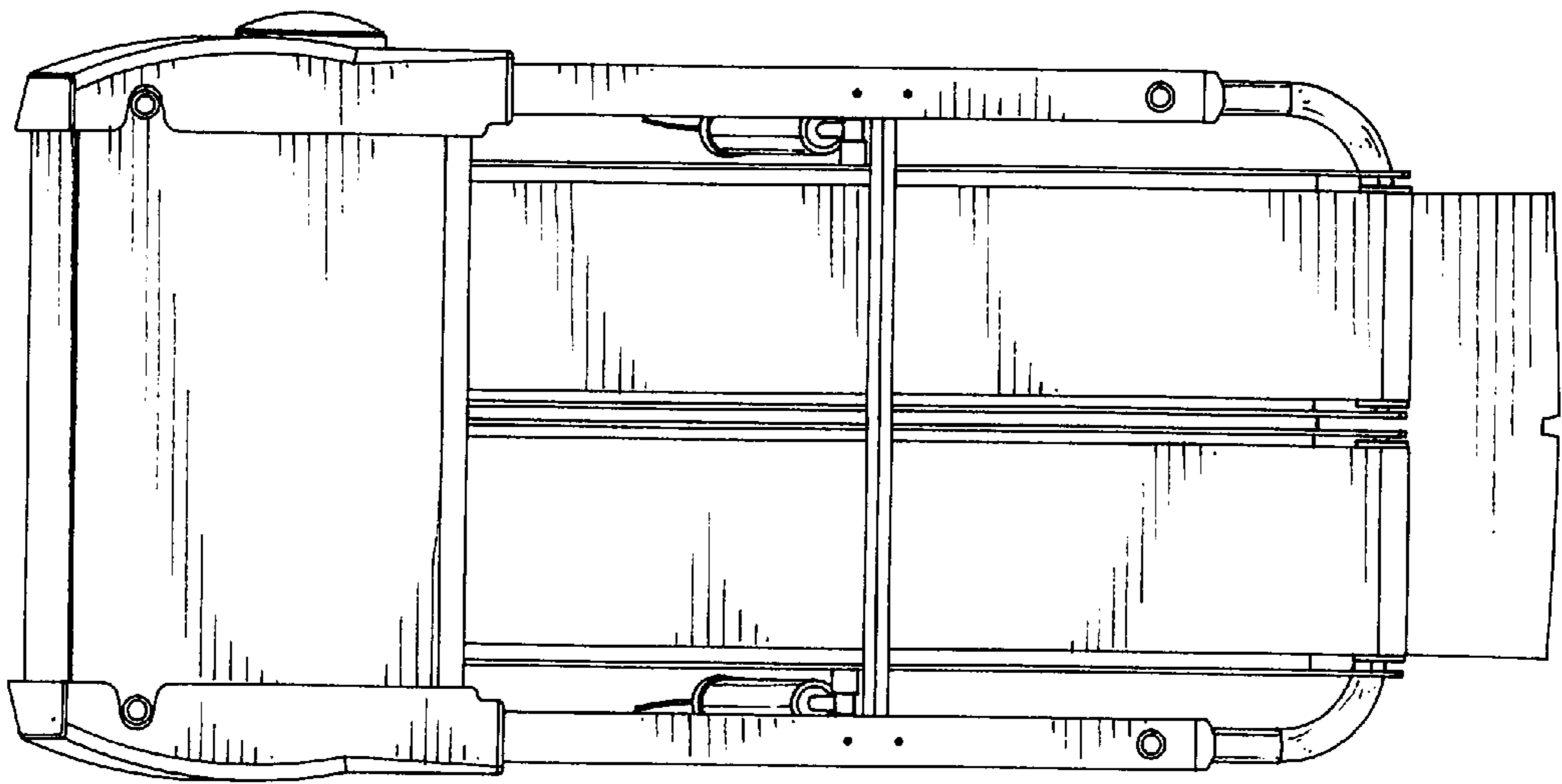


FIG. 6

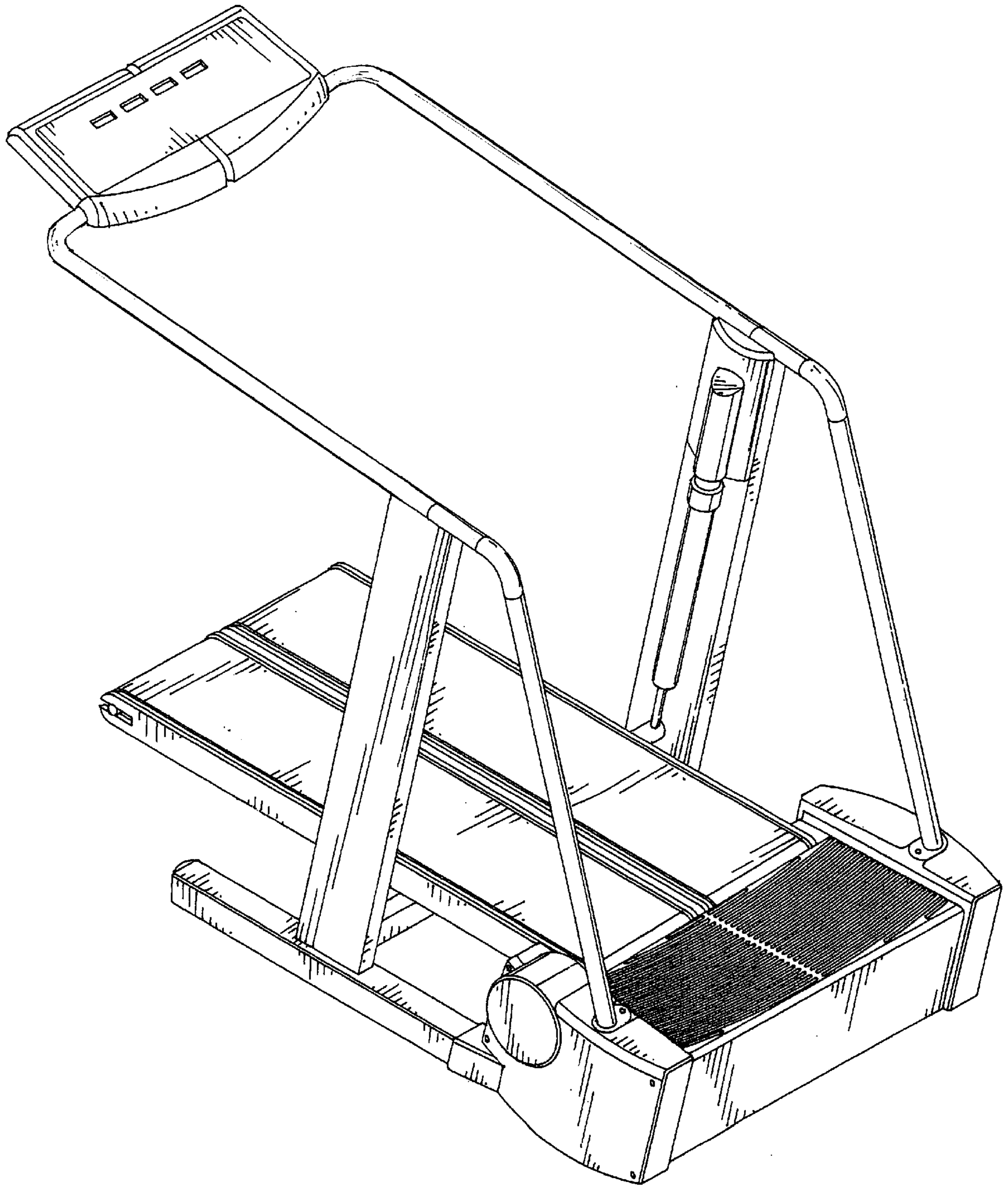


FIG. 7