



US00D421777S

# United States Patent [19] Wei

[11] Patent Number: **Des. 421,777**

[45] Date of Patent: **\*\* Mar. 21, 2000**

[54] **TOY SPACECRAFT**

[75] Inventor: **Kam Wah Wei**, Kowloon, The Hong Kong Special Administrative Region of the People's Republic of China

[73] Assignee: **Wah Hing Toys Development Co., Ltd.**, Kowloon, The Hong Kong Special Administrative Region of the People's Republic of China

[\*\*] Term: **14 Years**

[21] Appl. No.: **29/102,020**

[22] Filed: **Mar. 16, 1999**

[51] **LOC (6) Cl.** ..... **21-01**

[52] **U.S. Cl.** ..... **D21/451**

[58] **Field of Search** ..... D21/436, 447, D21/451; D12/12, 16.1, 319, 326, 343; 446/30-33, 34, 55, 56, 231

[56] **References Cited**

**U.S. PATENT DOCUMENTS**

D. 268,773 4/1983 Rodis-Jamero ..... D21/451

D. 272,839 2/1984 Jennings et al. .... D21/451  
D. 279,016 5/1985 Boudreaux ..... D21/451  
D. 279,696 7/1985 Begg ..... D21/451  
D. 288,946 3/1987 Rodis-Jamero ..... D21/451  
D. 293,256 12/1987 Suzuki ..... D21/451  
D. 321,732 11/1991 Furst ..... D21/451

*Primary Examiner*—Dominic Simone  
*Attorney, Agent, or Firm*—Leydig, Voit & Mayer, Ltd.

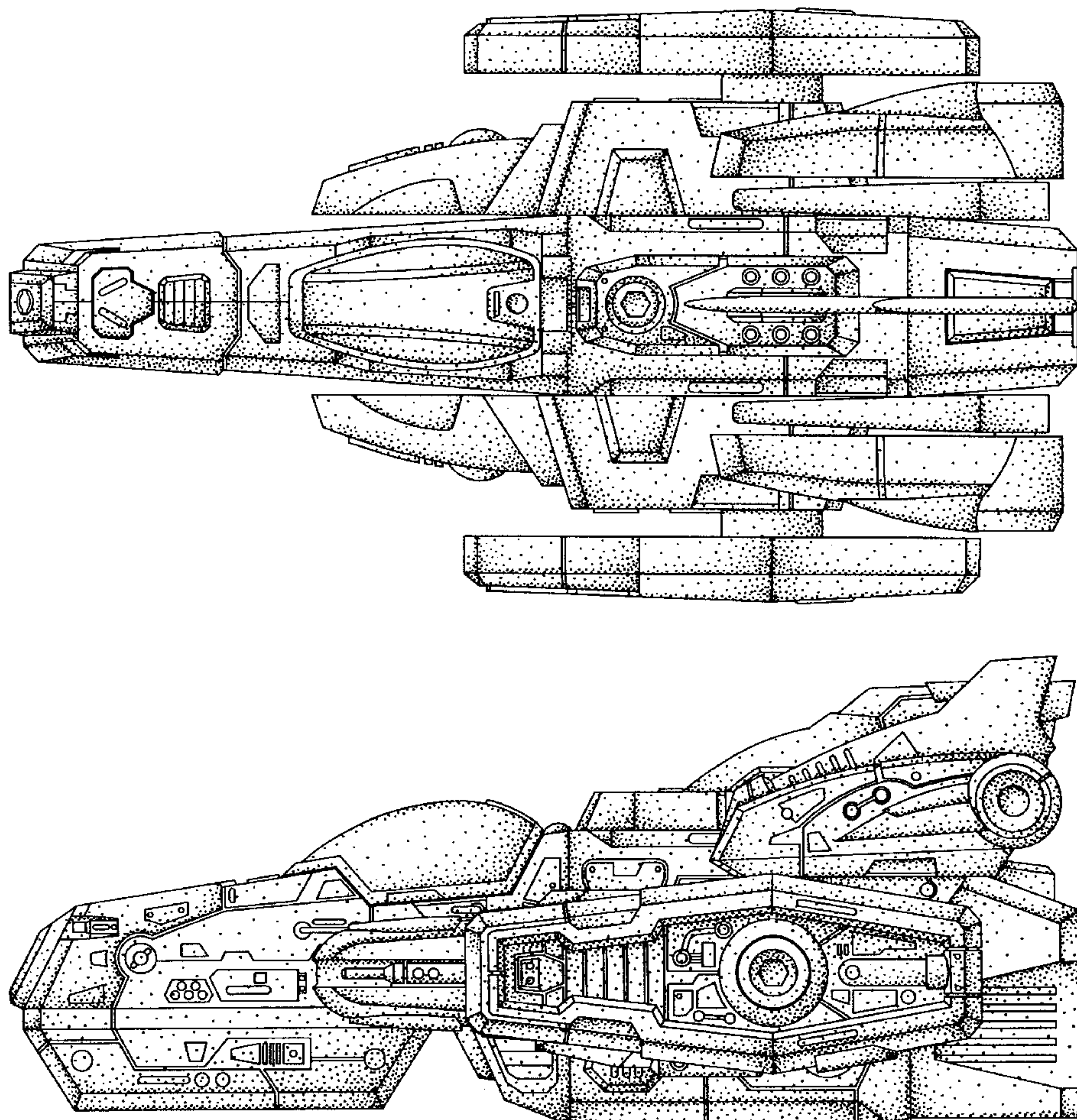
[57] **CLAIM**

The ornamental design for a toy spacecraft, as shown and described.

**DESCRIPTION**

FIG. 1 is a top plan view of a toy spacecraft showing my new design;  
FIG. 2 is a bottom plan view thereof;  
FIG. 3 is a left side elevational view thereof;  
FIG. 4 is a right side elevational view thereof;  
FIG. 5 is a front end elevational view thereof; and,  
FIG. 6 is a rear end elevational view thereof.

**1 Claim, 3 Drawing Sheets**





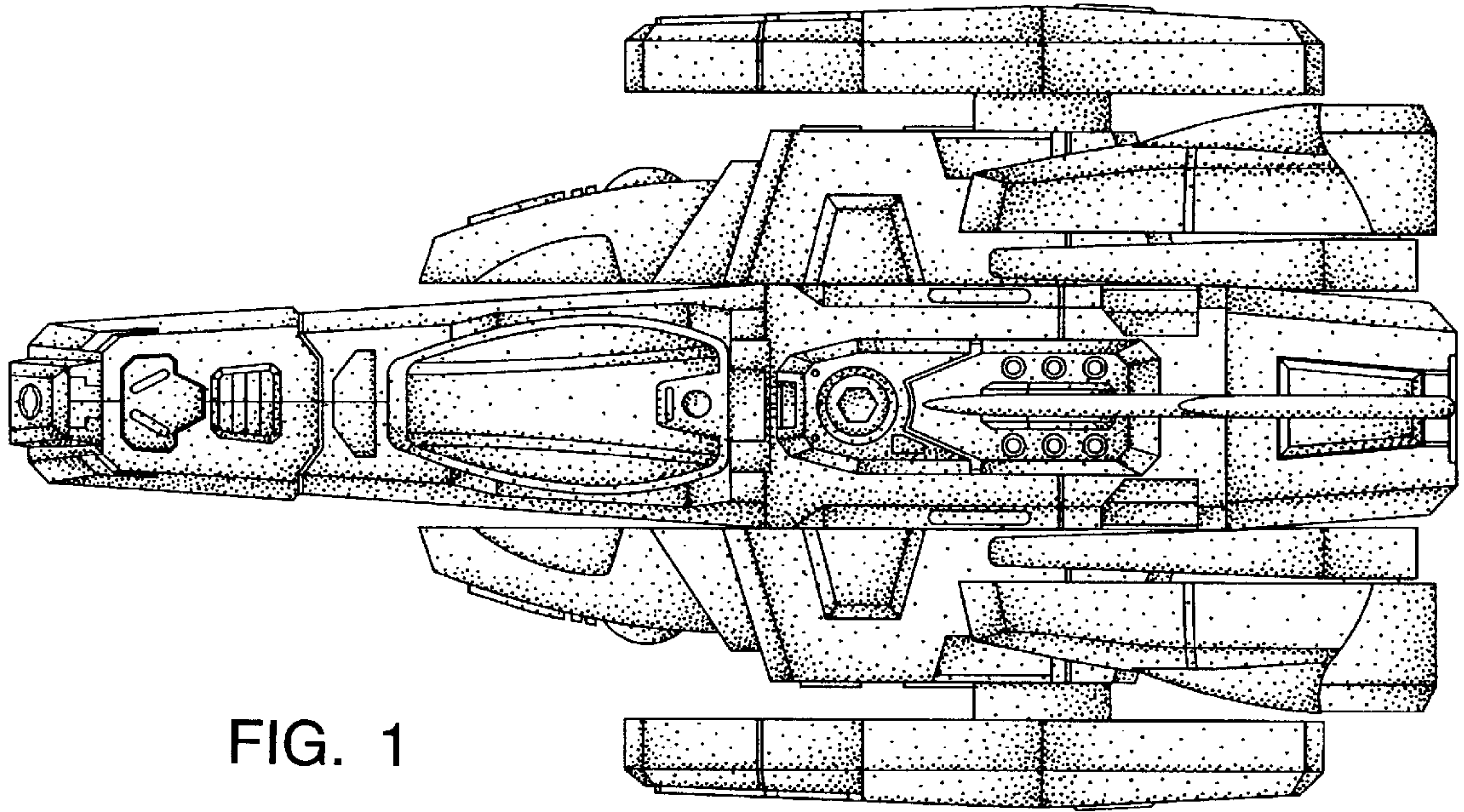


FIG. 1

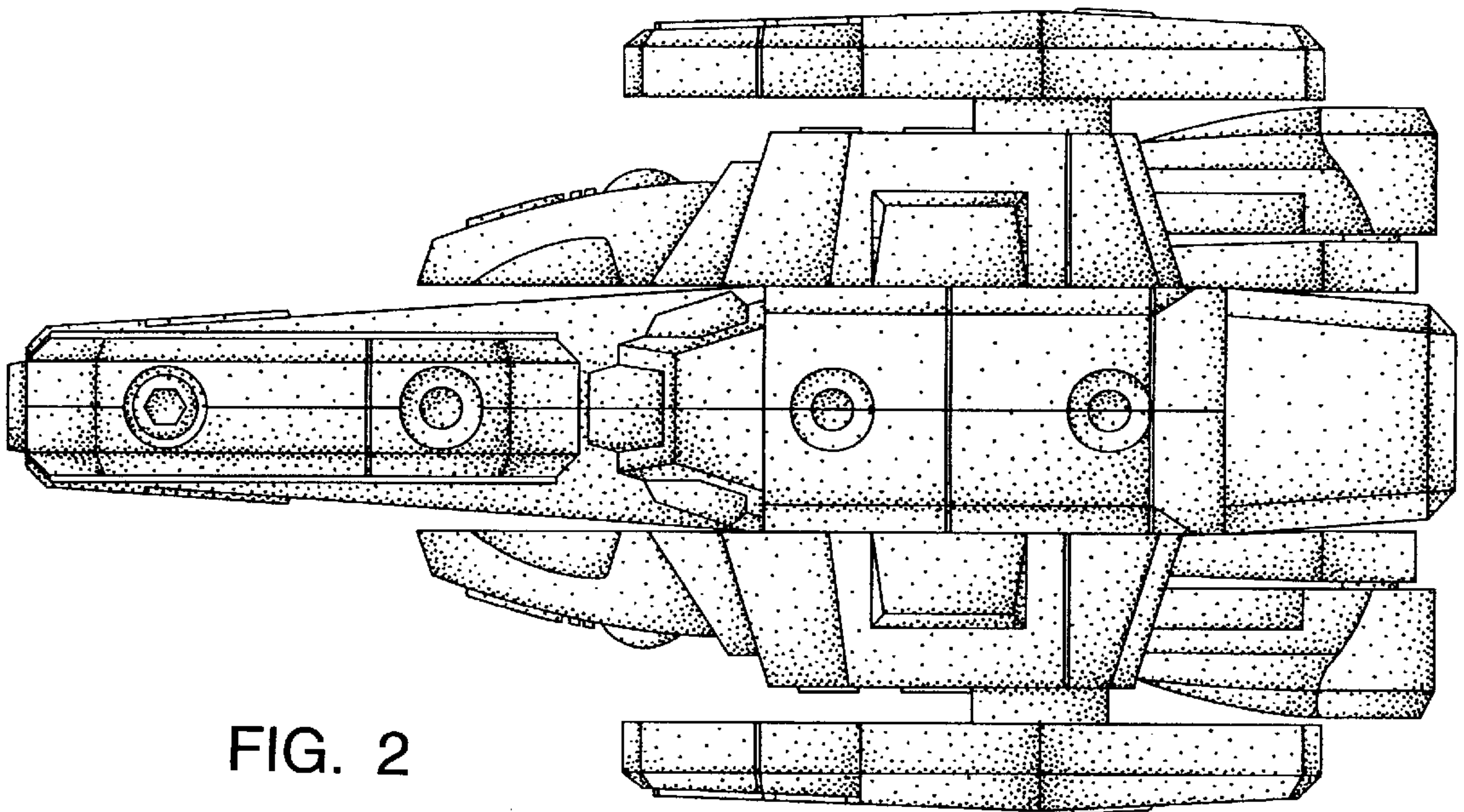


FIG. 2

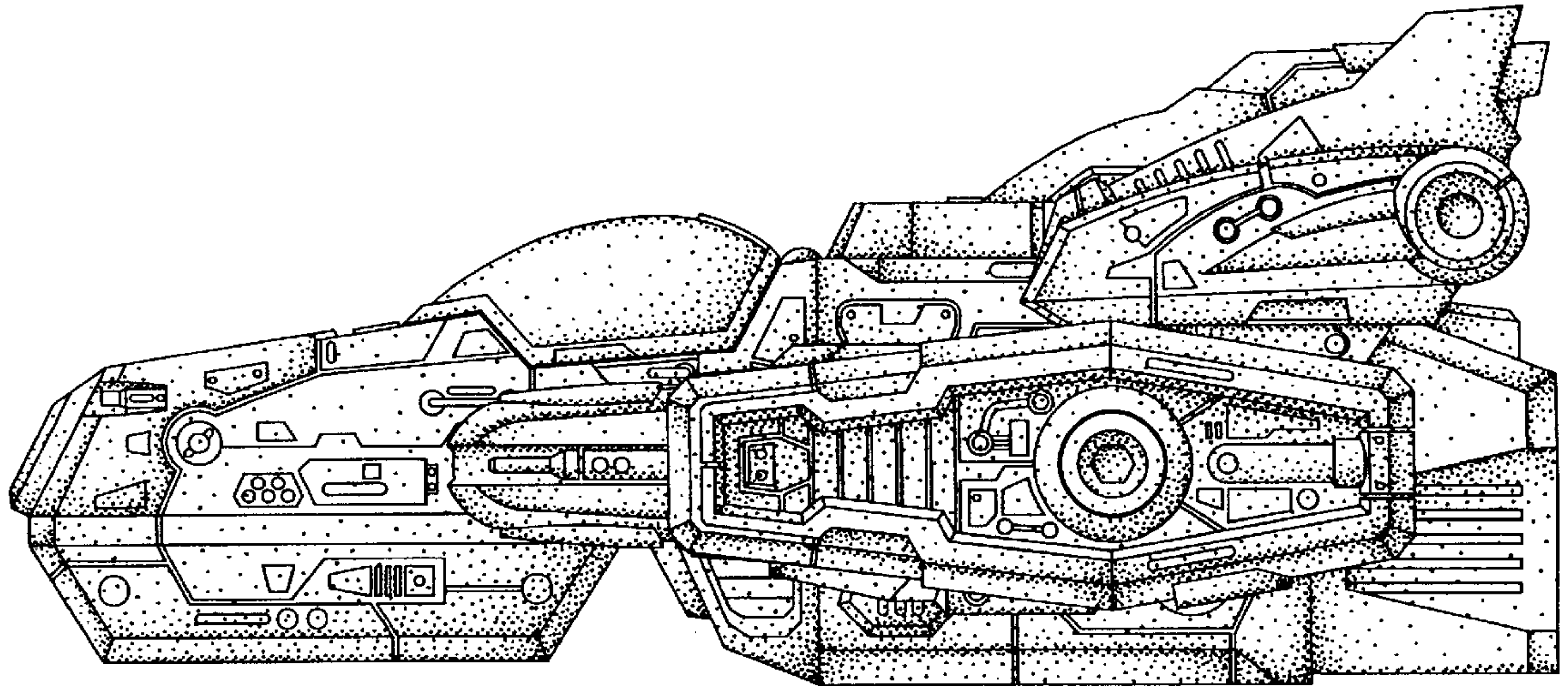


FIG. 3

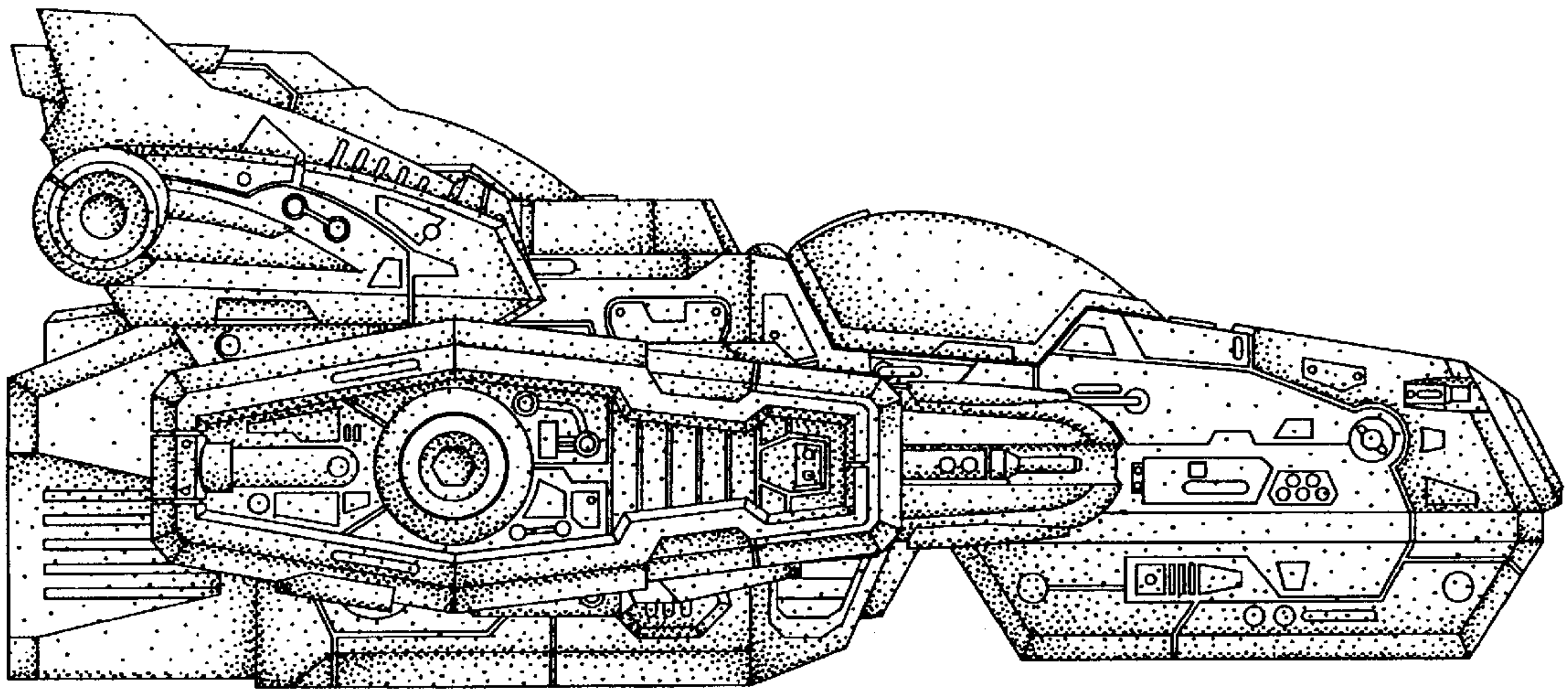


FIG. 4



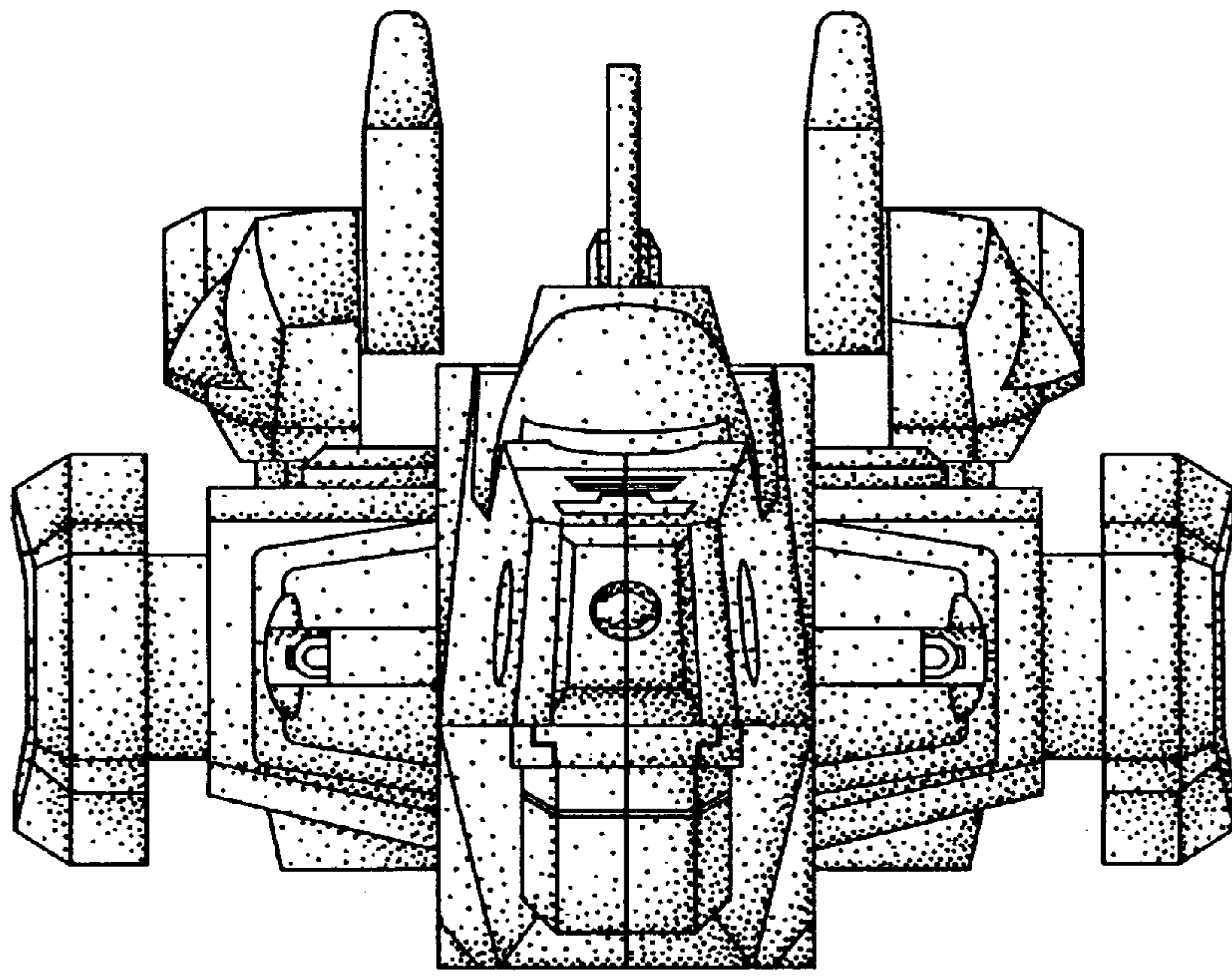


FIG. 5

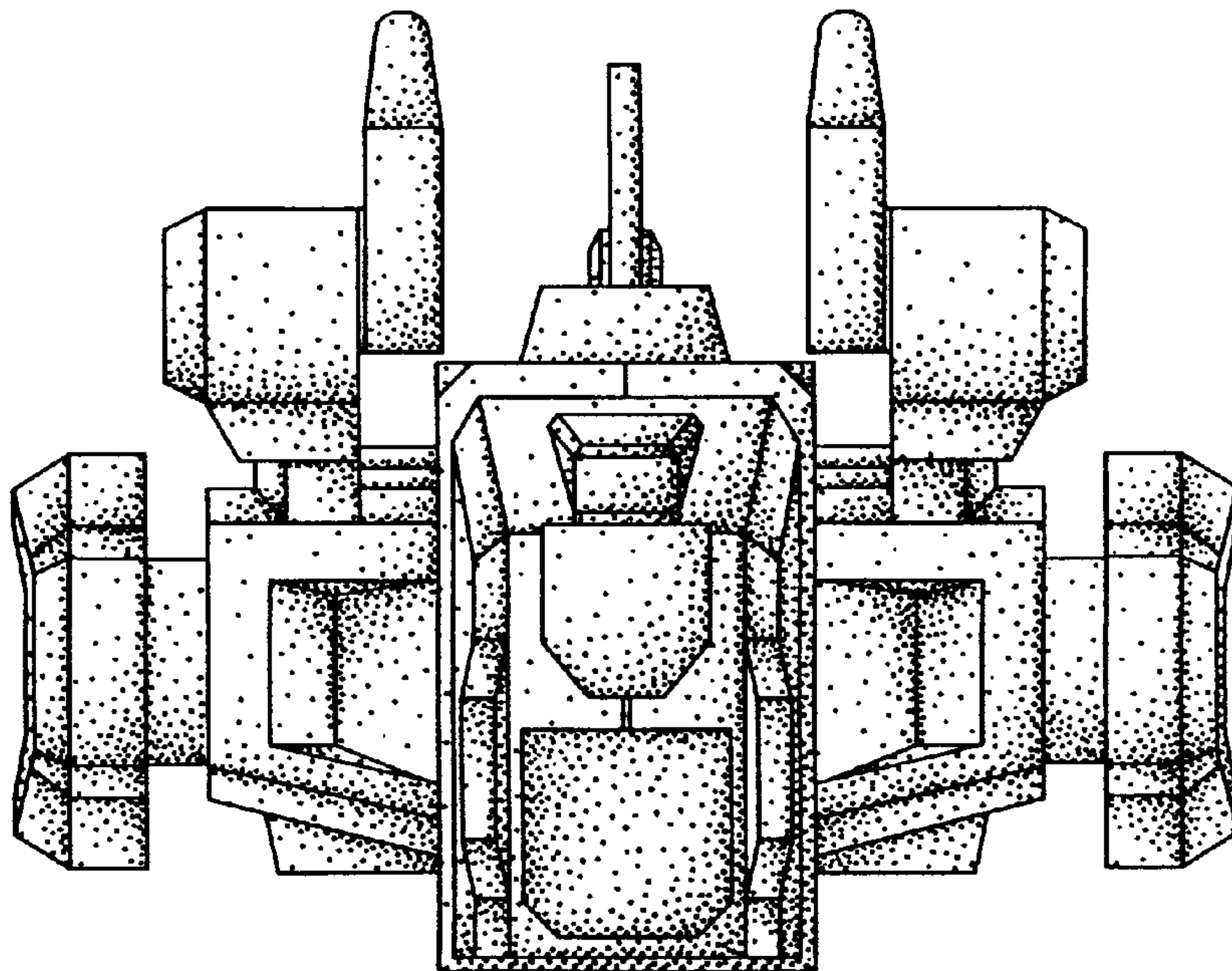


FIG. 6