



US00D421775S

# United States Patent [19] Goto

[11] Patent Number: **Des. 421,775**

[45] Date of Patent: **\*\* Mar. 21, 2000**

[54] **GAME MACHINE**

[75] Inventor: **Teiyu Goto**, Tokyo, Japan

[73] Assignee: **Sony Computer Entertainment Inc.**,  
Tokyo, Japan

[\*\*] Term: **14 Years**

[21] Appl. No.: **29/099,766**

[22] Filed: **Jan. 28, 1999**

[51] **LOC (6) Cl.** ..... **21-01**

[52] **U.S. Cl.** ..... **D21/329**

[58] **Field of Search** ..... D21/324, 329-331,  
D21/333; D14/117.1, 117.9, 114, 124; 273/148 B;  
463/1-4, 29-35, 46, 47

[56] **References Cited**

**U.S. PATENT DOCUMENTS**

D. 376,822	12/1996	Osterhout	.....	D21/329
D. 383,798	9/1997	Yokoi et al.	.....	D21/331
D. 399,267	10/1998	Fai	.....	D21/329
D. 401,297	11/1998	Fai	.....	D21/329
D. 405,125	2/1999	Yokoi	.....	D21/329
D. 407,760	4/1999	Yokoi	.....	D21/329
D. 410,500	6/1999	Toma et al.	.....	D21/329
5,046,739	9/1991	Reichow	.....	273/148 B X
5,161,803	11/1992	Ohara	.....	463/46 X
5,184,830	2/1993	Okada et al.	.....	463/29

**OTHER PUBLICATIONS**

Hongkong Enterprise, p. 133, Oct. 1994.  
Hongkong Enterprise, p. 1183, Jan. 1998.  
The "Point Network No. 39," (Dec. 20, 1997).

Advertisement Flyer of Itoyaokado for Jan. 1-4, 1999.

*Primary Examiner*—Prabhakar Deshmukh  
*Attorney, Agent, or Firm*—Foley & Lardner

[57] **CLAIM**

The ornamental design for a game machine, as shown and described.

**DESCRIPTION**

FIG. 1 is a perspective view of a first embodiment of a game machine showing my new design;

FIG. 2 is a top plan view thereof;

FIG. 3 is a left side elevational view thereof;

FIG. 4 is a front elevational view thereof;

FIG. 5 is a bottom plan view thereof;

FIG. 6 is a right side elevational view thereof; and

FIG. 7 is a rear elevational view thereof.

FIG. 8 is a perspective view of a second embodiment of a game machine showing my new design;

FIG. 9 is a top plan view thereof;

FIG. 10 is a left side elevational view thereof;

FIG. 11 is a front elevational view thereof;

FIG. 12 is a bottom plan view thereof;

FIG. 13 is a right side elevational view thereof; and,

FIG. 14 is a rear elevational view thereof.

**1 Claim, 6 Drawing Sheets**

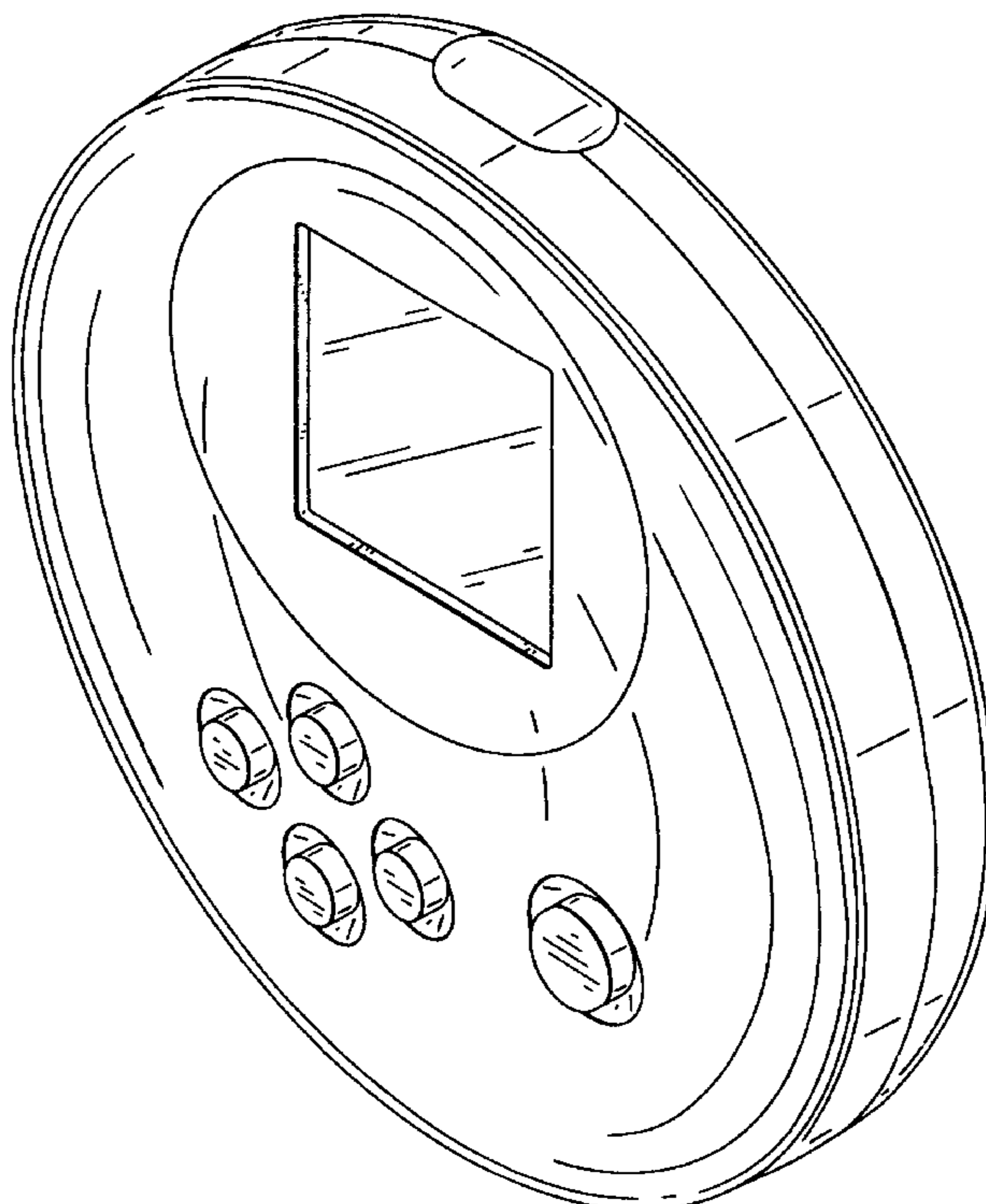


FIG. 1

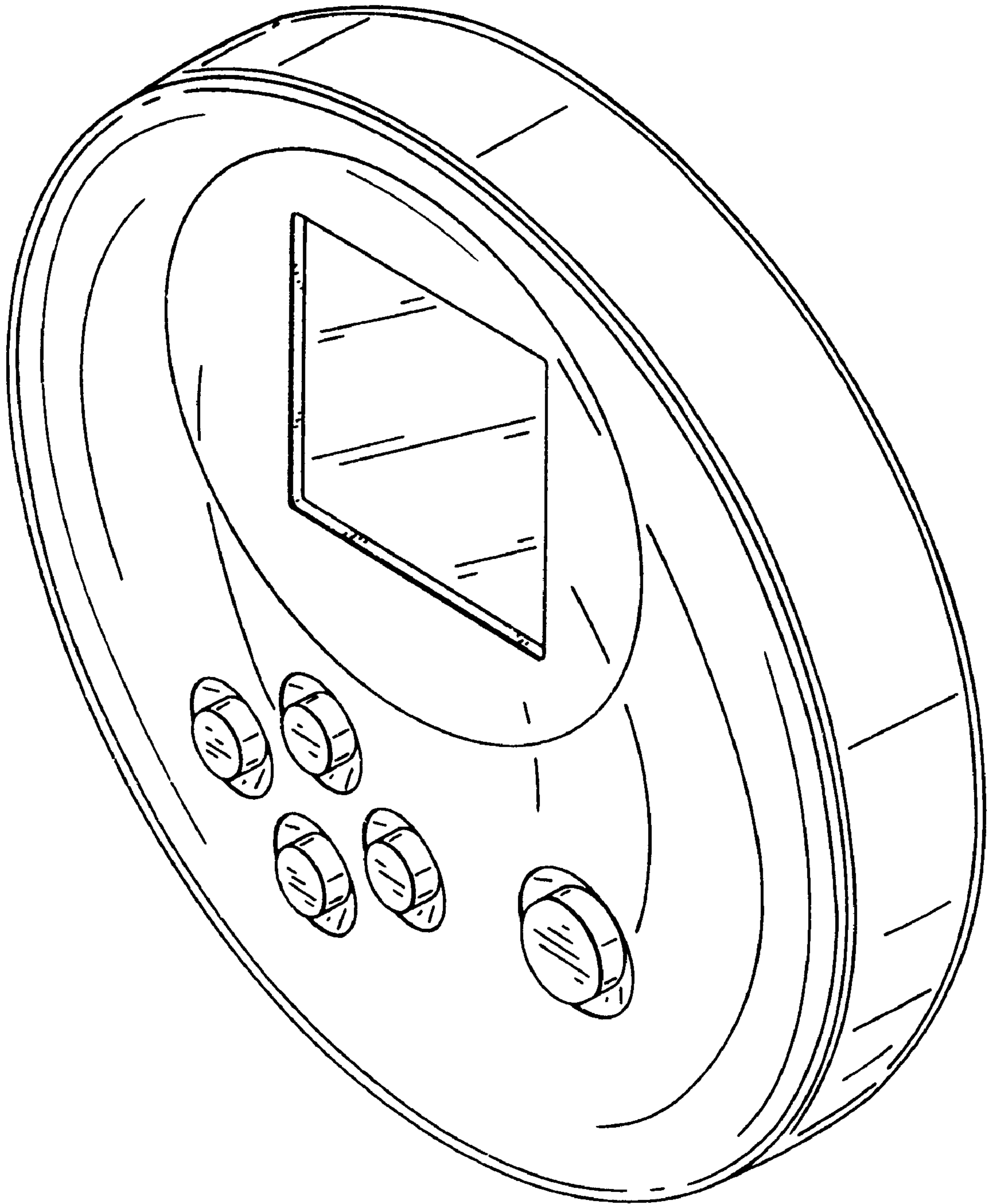


FIG. 2

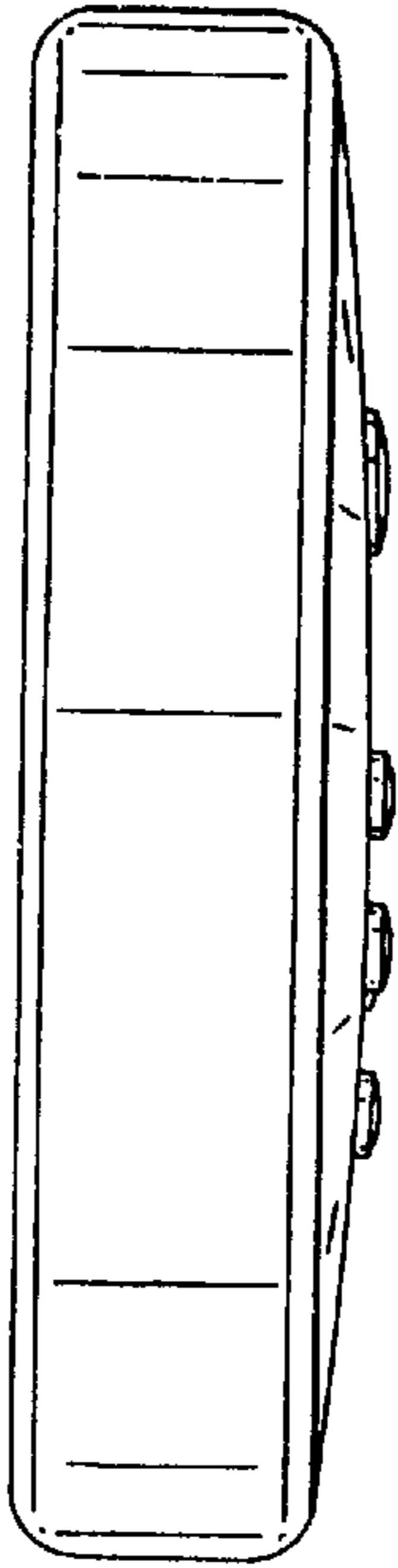


FIG. 3

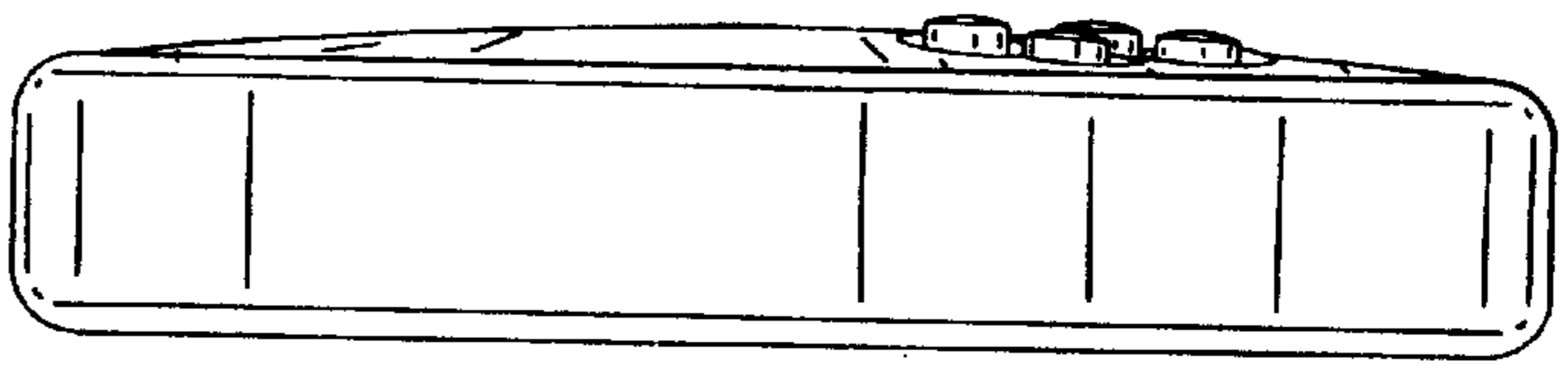


FIG. 4

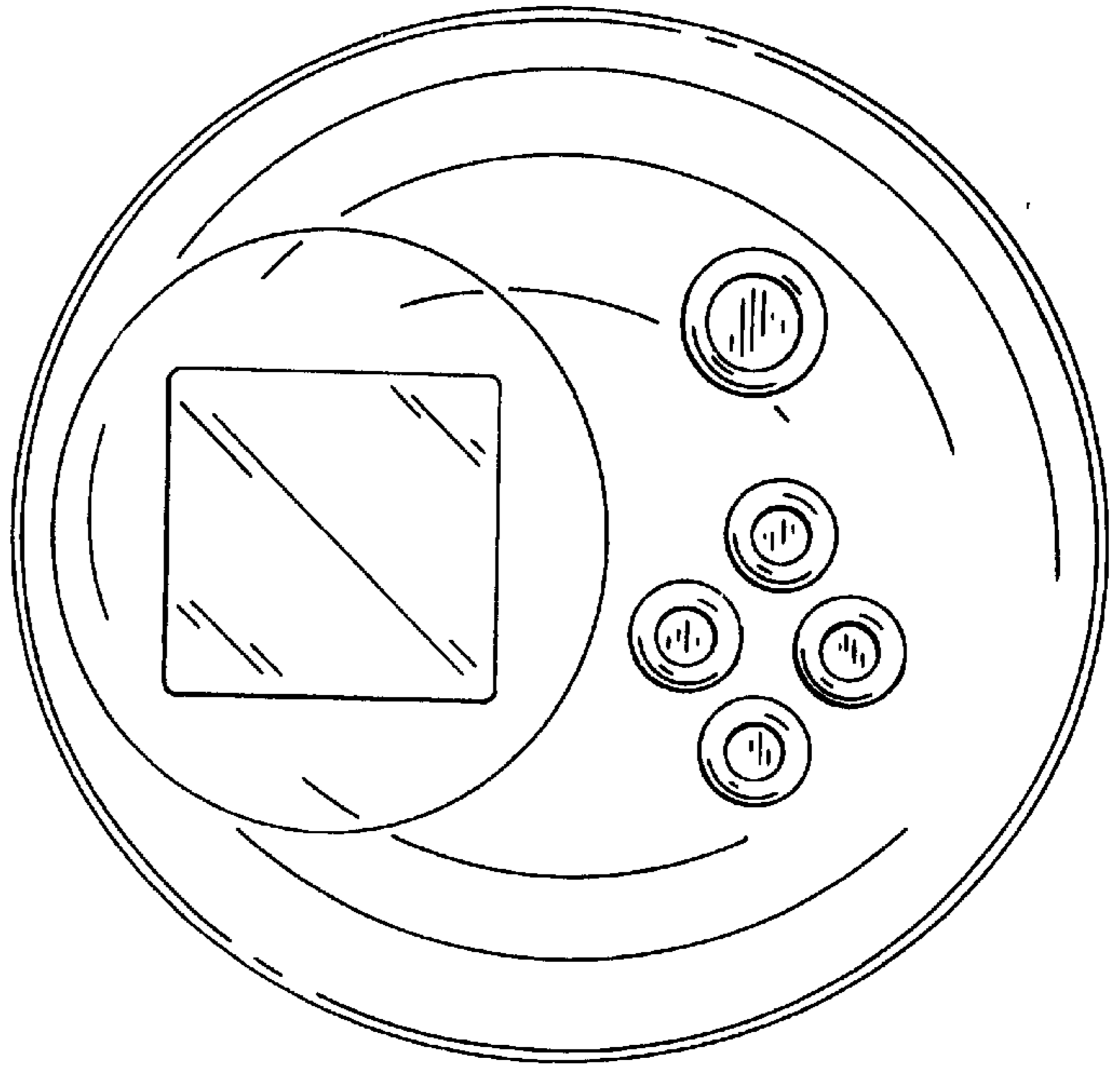


FIG. 7



FIG. 6

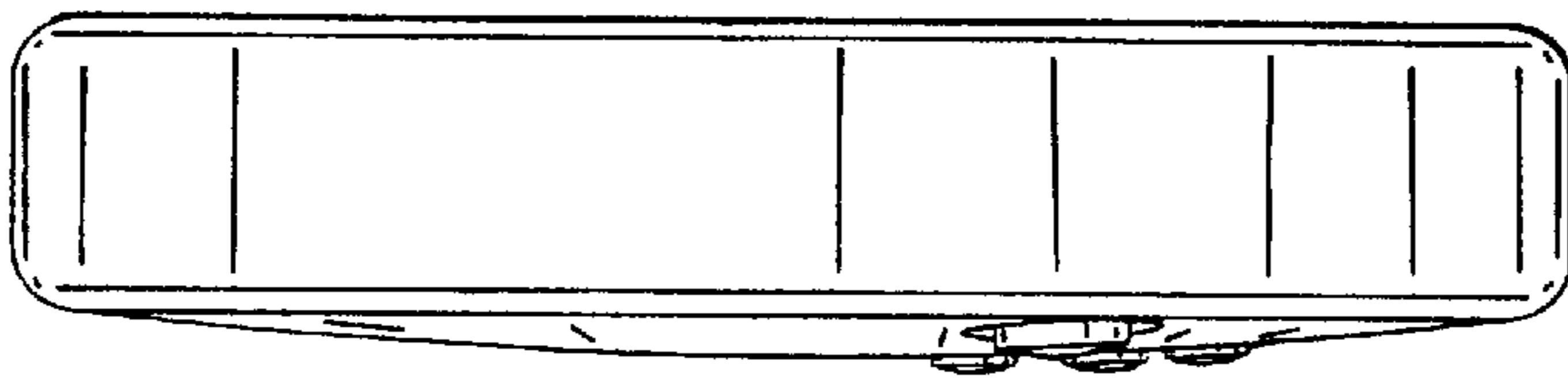


FIG. 5

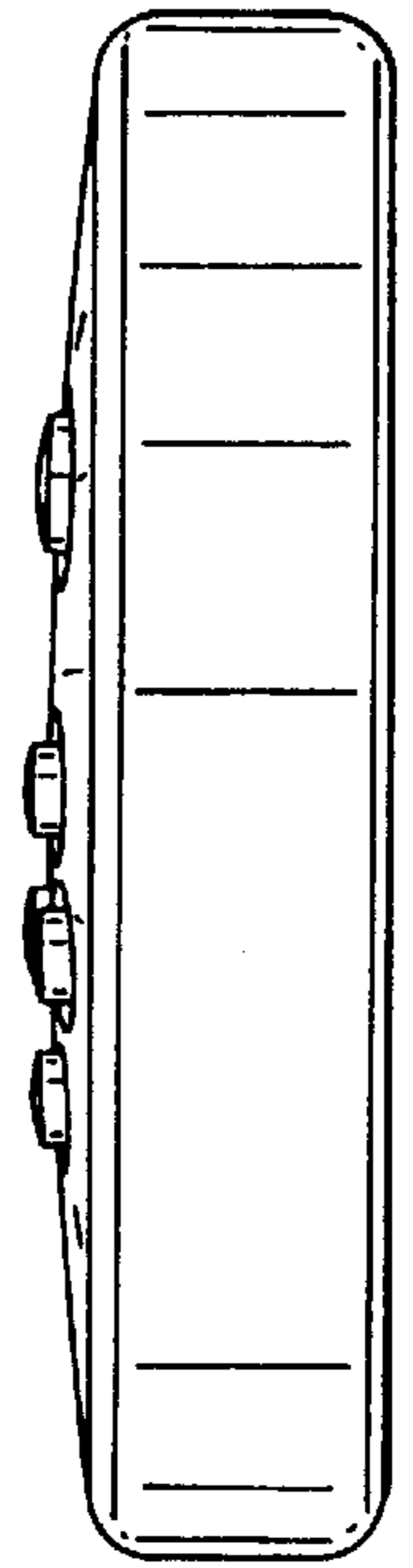




FIG. 8

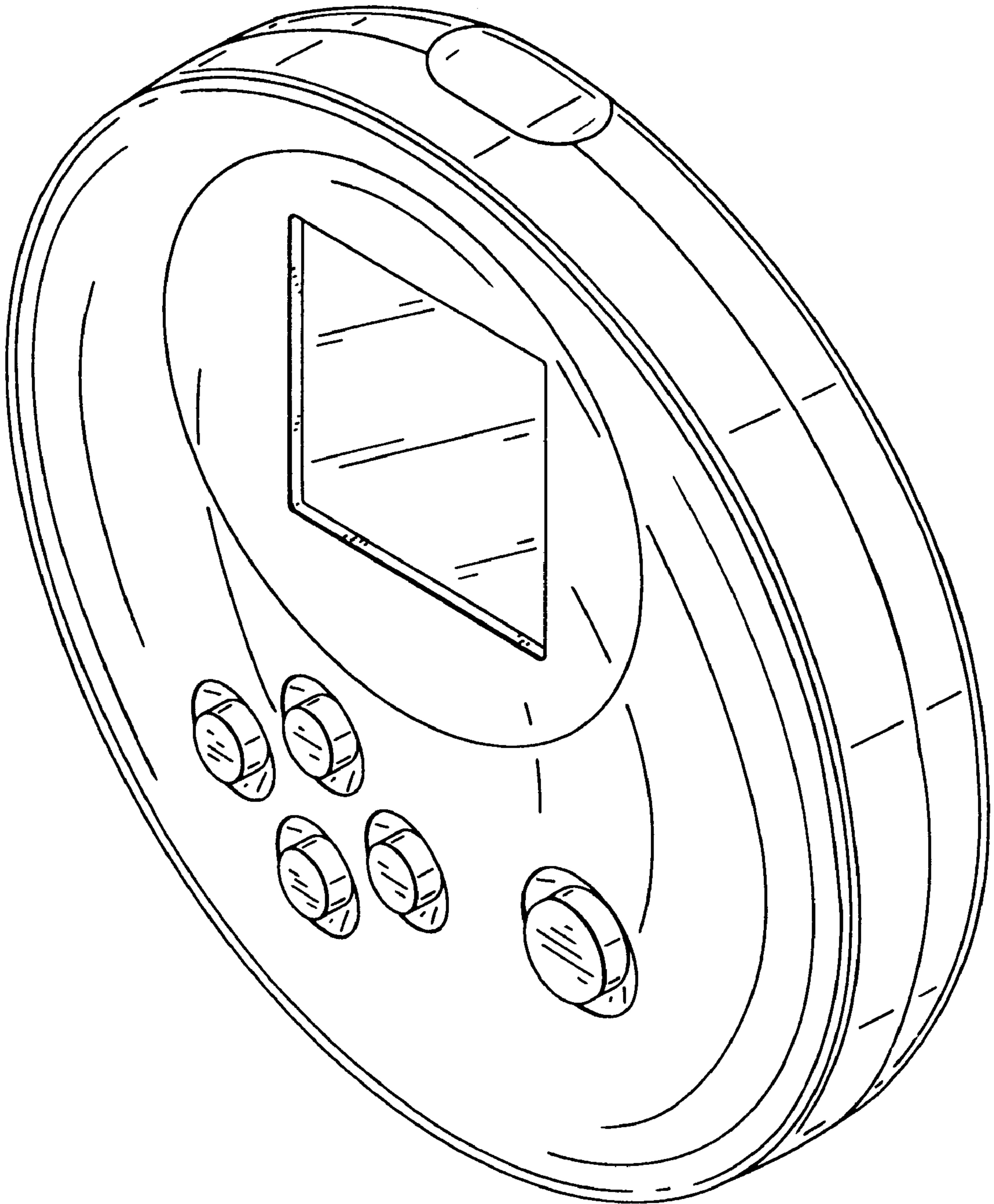


FIG. 9

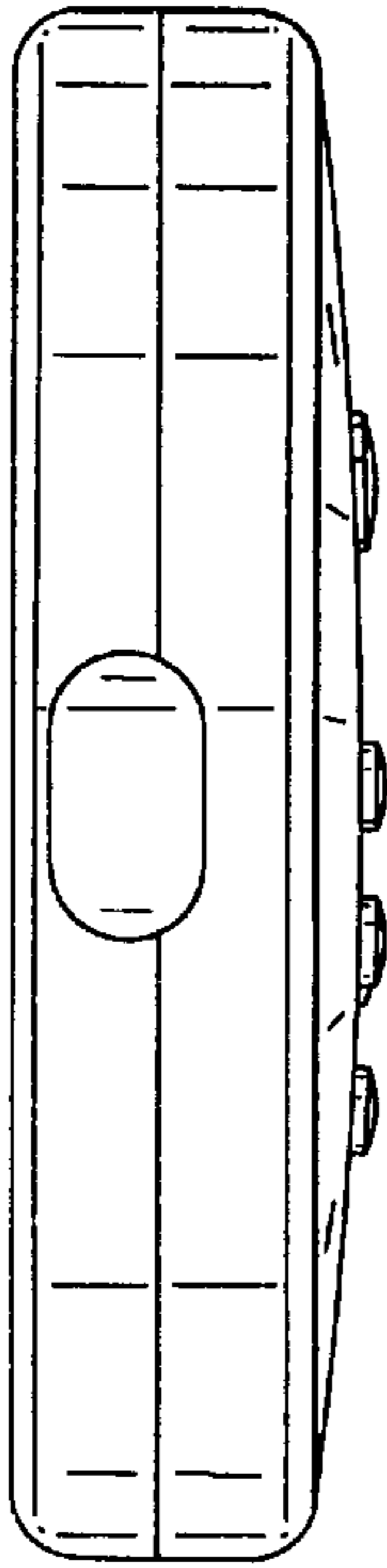


FIG. 11

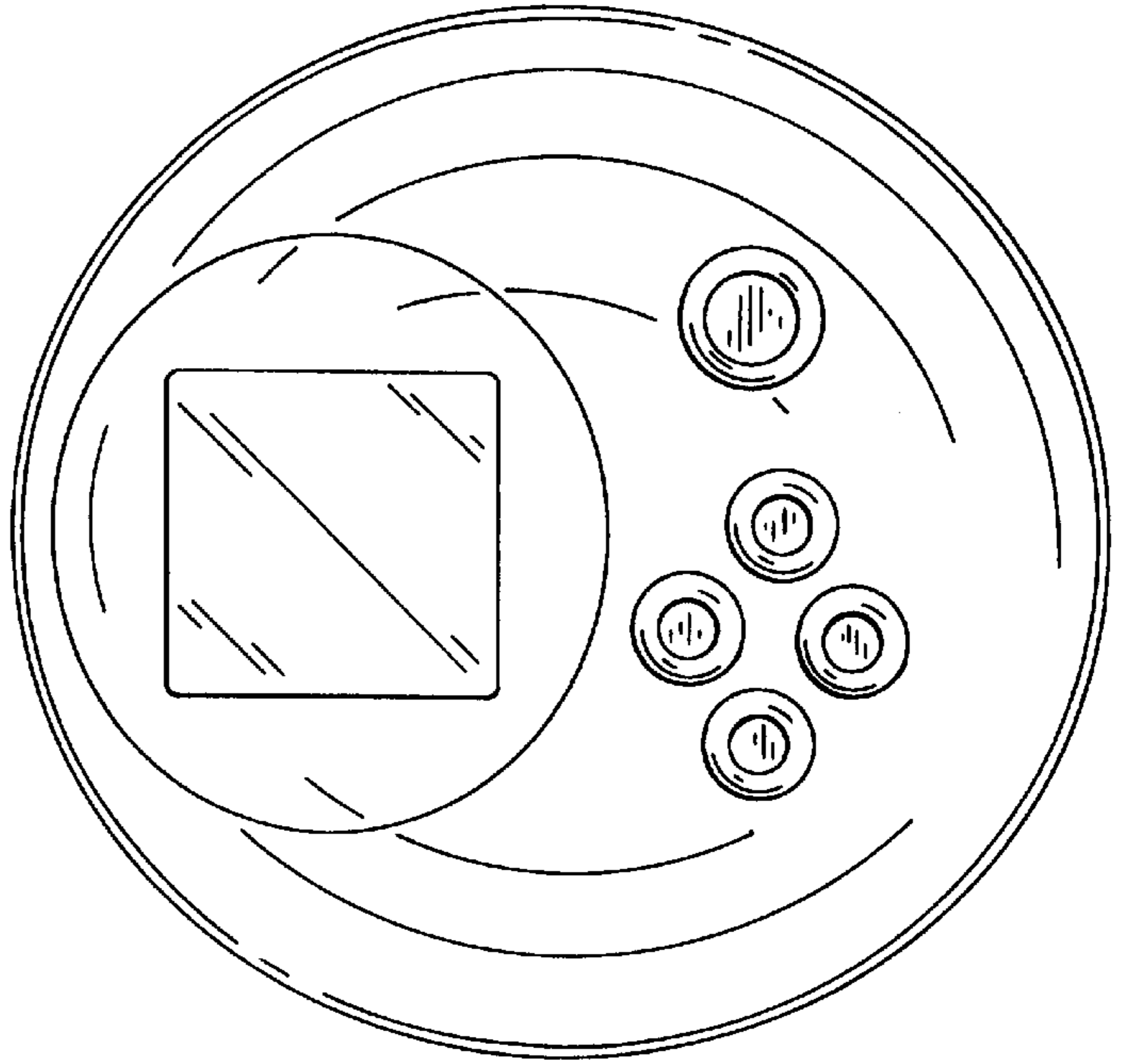


FIG. 10

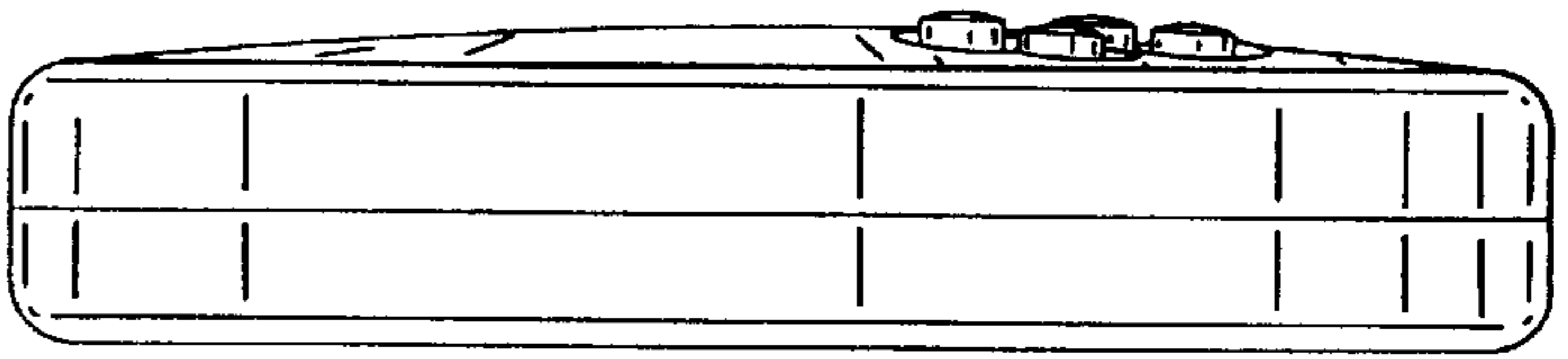


FIG. 14



FIG. 13

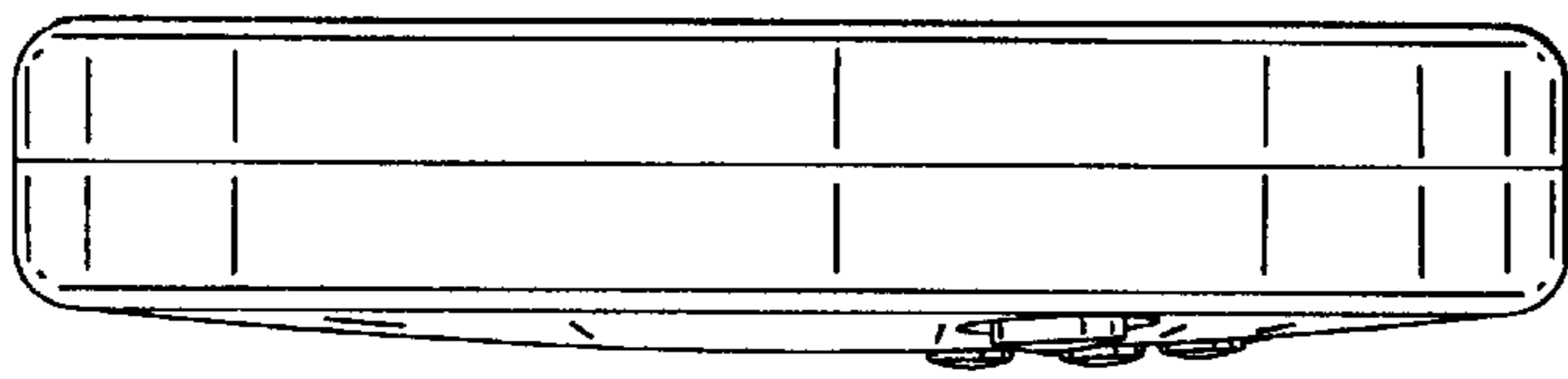


FIG. 12

