



US00D421769S

# United States Patent [19] Dubson

[11] **Patent Number: Des. 421,769**  
[45] **Date of Patent: \*\* \*Mar. 21, 2000**

[54] **PRINTER CONTROL DEVICE**

[75] Inventor: **Paul T. Dubson**, Escondido, Calif.

[73] Assignee: **Hewlett-Packard Company**, Palo Alto, Calif.

[\*] Notice: This patent is subject to a terminal disclaimer.

[\*\*] Term: **14 Years**

[21] Appl. No.: **29/035,691**

[22] Filed: **Mar. 6, 1995**

[51] **LOC (6) Cl.** ..... **18-02**

[52] **U.S. Cl.** ..... **D18/56; D14/107**

[58] **Field of Search** ..... D19/65, 75; D18/56, D18/15; D13/162, 164; D14/100, 105, 107, 114; 340/711; 400/88, 472, 477, 479, 680, 681; 235/145 R, 10; 200/5 A, 293, 303, 329, 512, 517

[56] **References Cited**

**U.S. PATENT DOCUMENTS**

- D. 146,805 5/1947 Millhauser ..... D18/15 X
- D. 149,228 4/1948 Salsbury ..... D19/75

- D. 290,969 7/1987 Sutou et al. .... D18/56
- D. 302,682 8/1989 Bloom et al. .... D14/107
- D. 330,385 10/1992 Umino ..... D18/56 X
- D. 332,465 1/1993 Johnson et al. .... D18/56
- D. 363,274 10/1995 Pangburn ..... D14/107

*Primary Examiner*—Martie Thompson  
*Attorney, Agent, or Firm*—David S. Romney

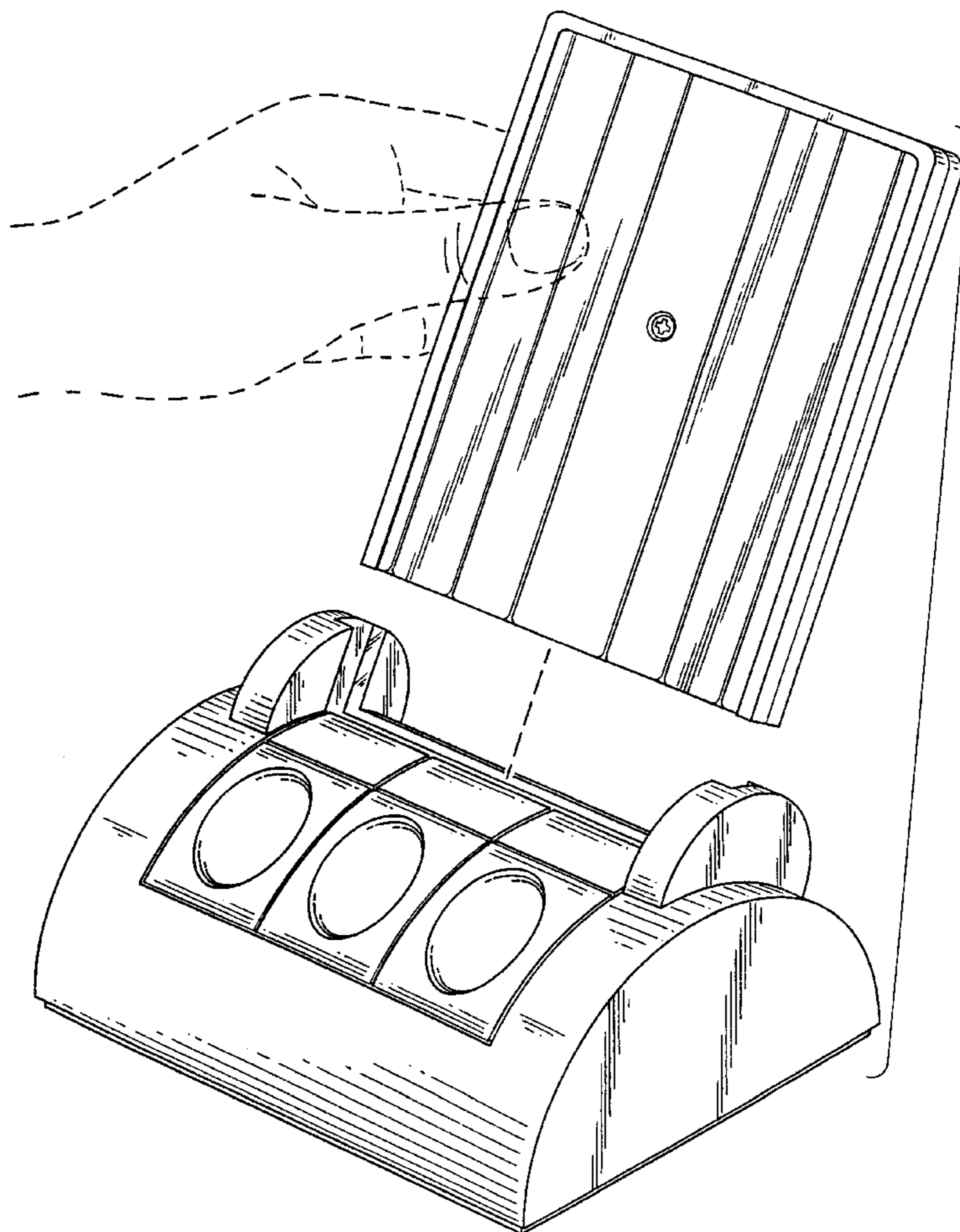
[57] **CLAIM**

The ornamental design for a printer control device, as shown and described.

**DESCRIPTION**

FIG. 1 is a perspective view of a printer control device in an exploded condition showing my new design, the hand depicted by means of broken lines being for illustrative purposes only and forming no part of the claimed design. FIG. 2 is a perspective view illustrating my new printer control device design; FIG. 3 is a front elevational view; FIG. 4 is a rear elevational view; FIG. 5 is a top plan view; FIG. 6 is a bottom plan view; FIG. 7 is a right side elevational view; and, FIG. 8 is a left side elevational view.

**1 Claim, 5 Drawing Sheets**



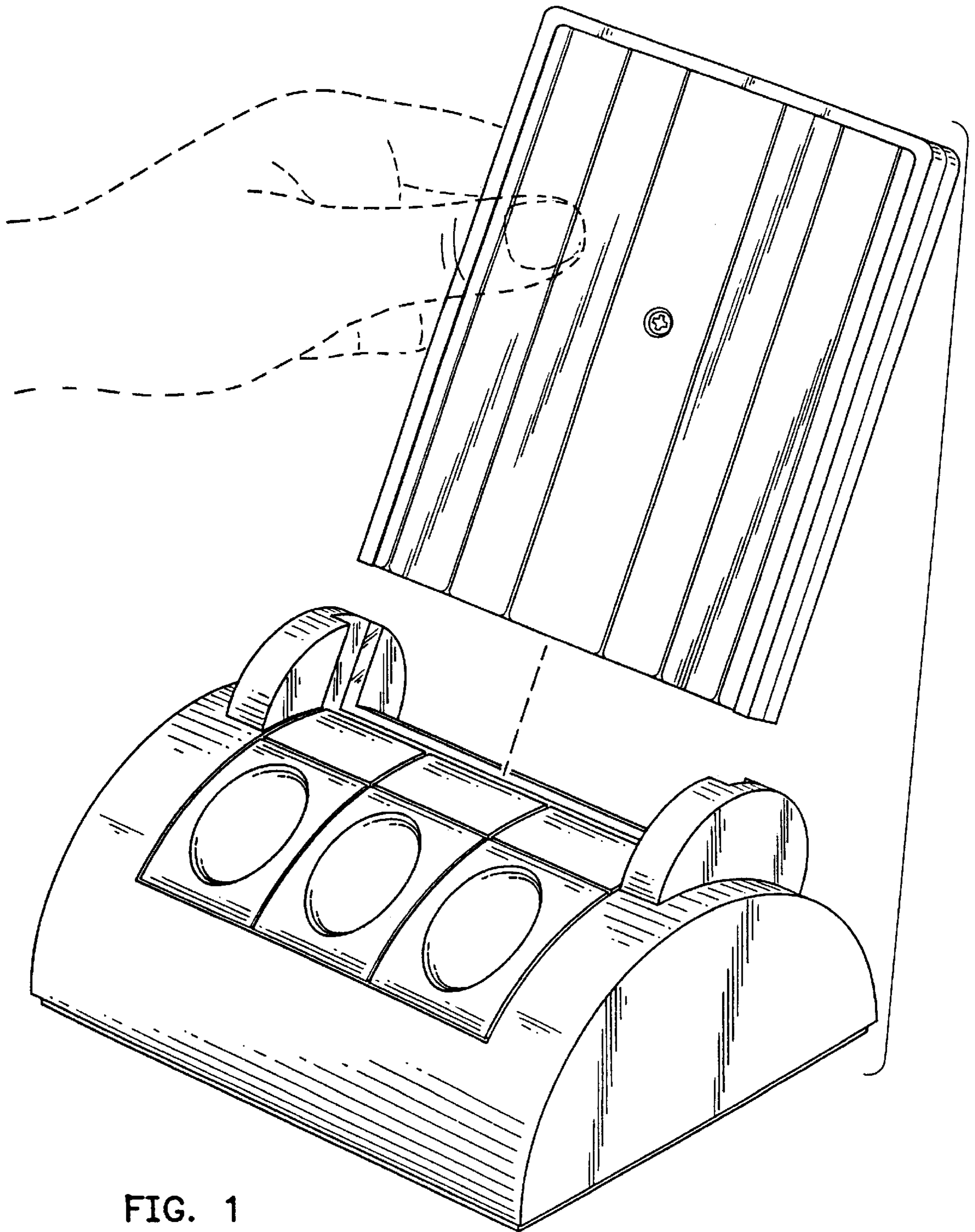


FIG. 1

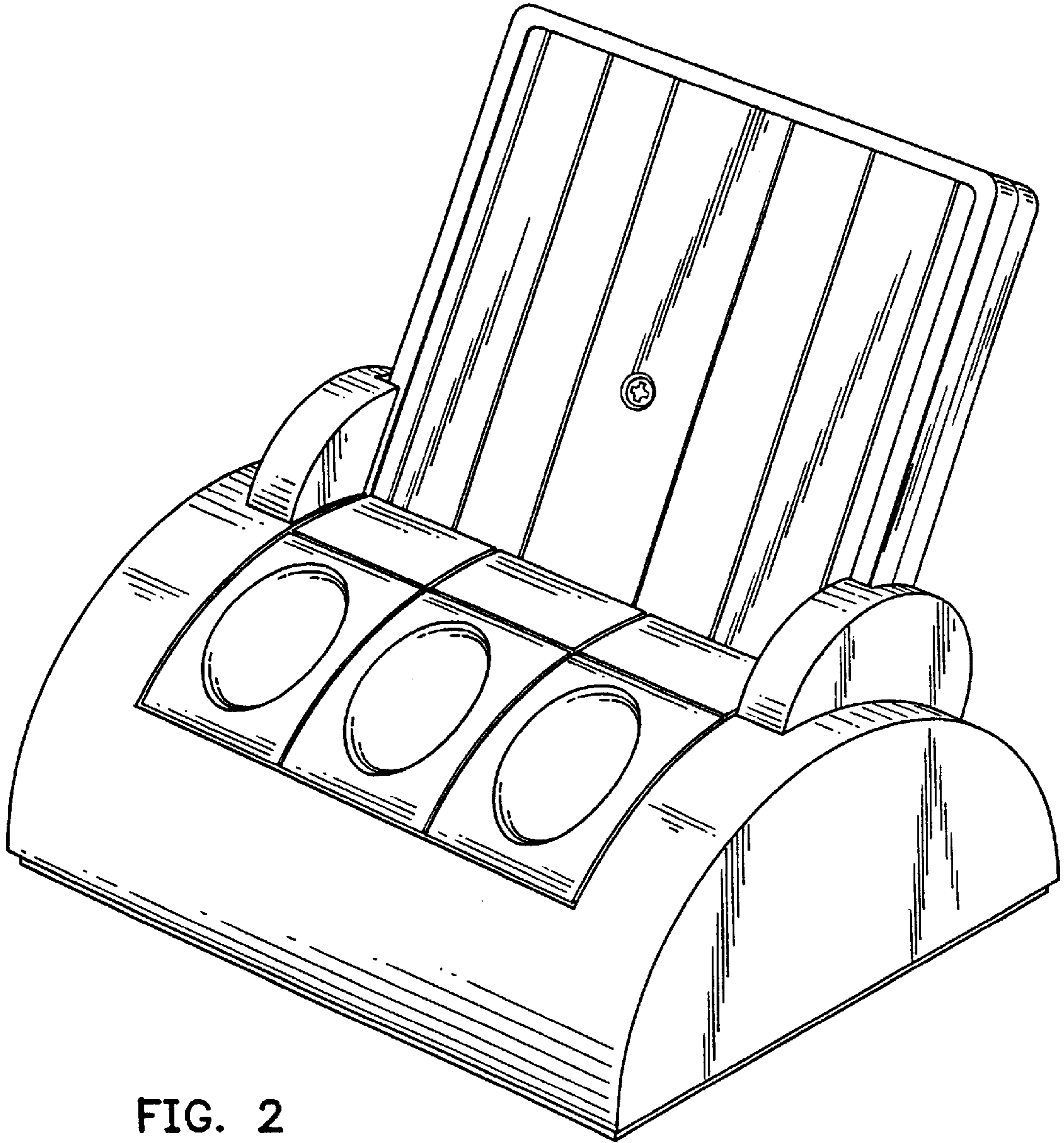


FIG. 2



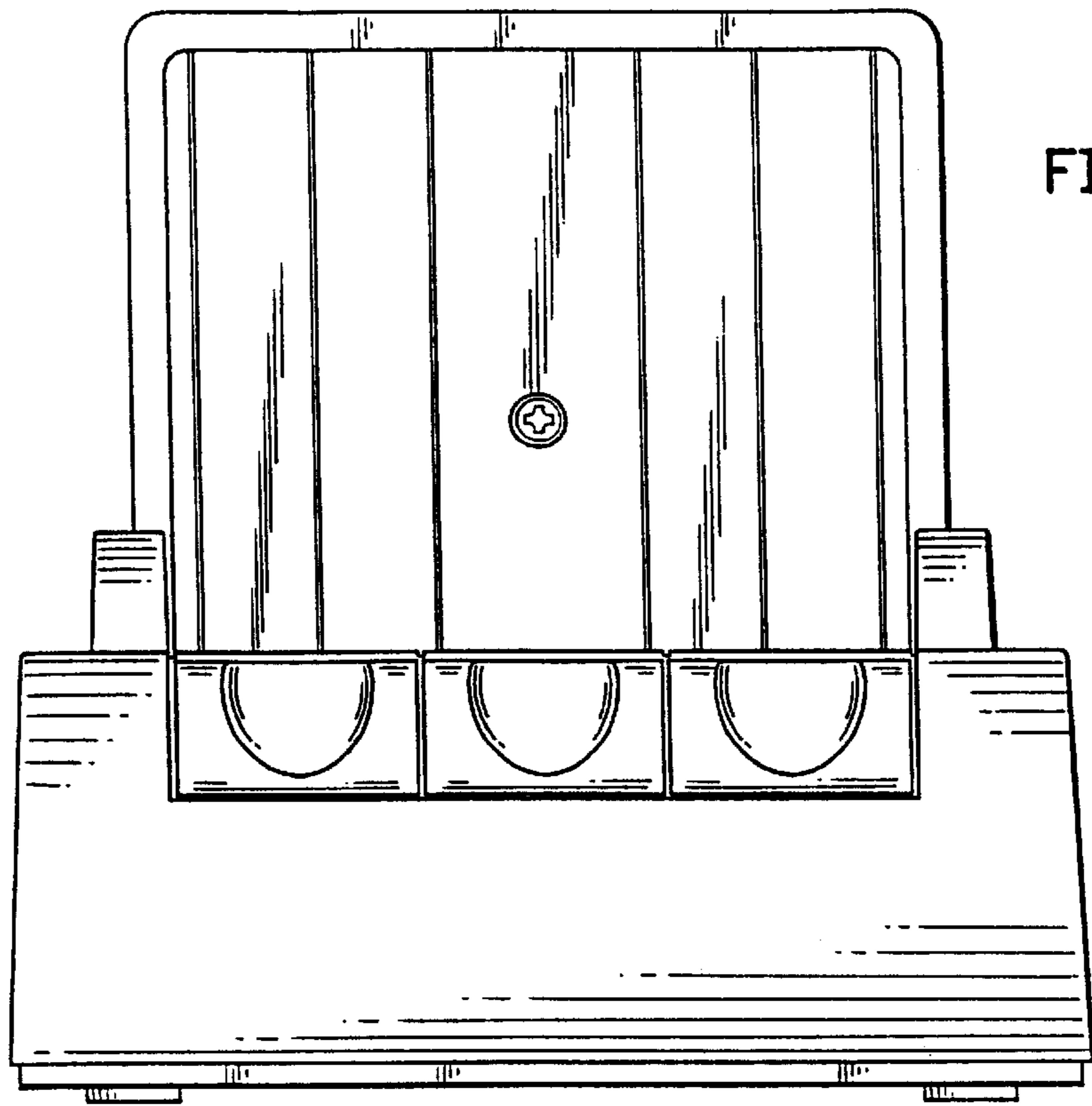


FIG. 3

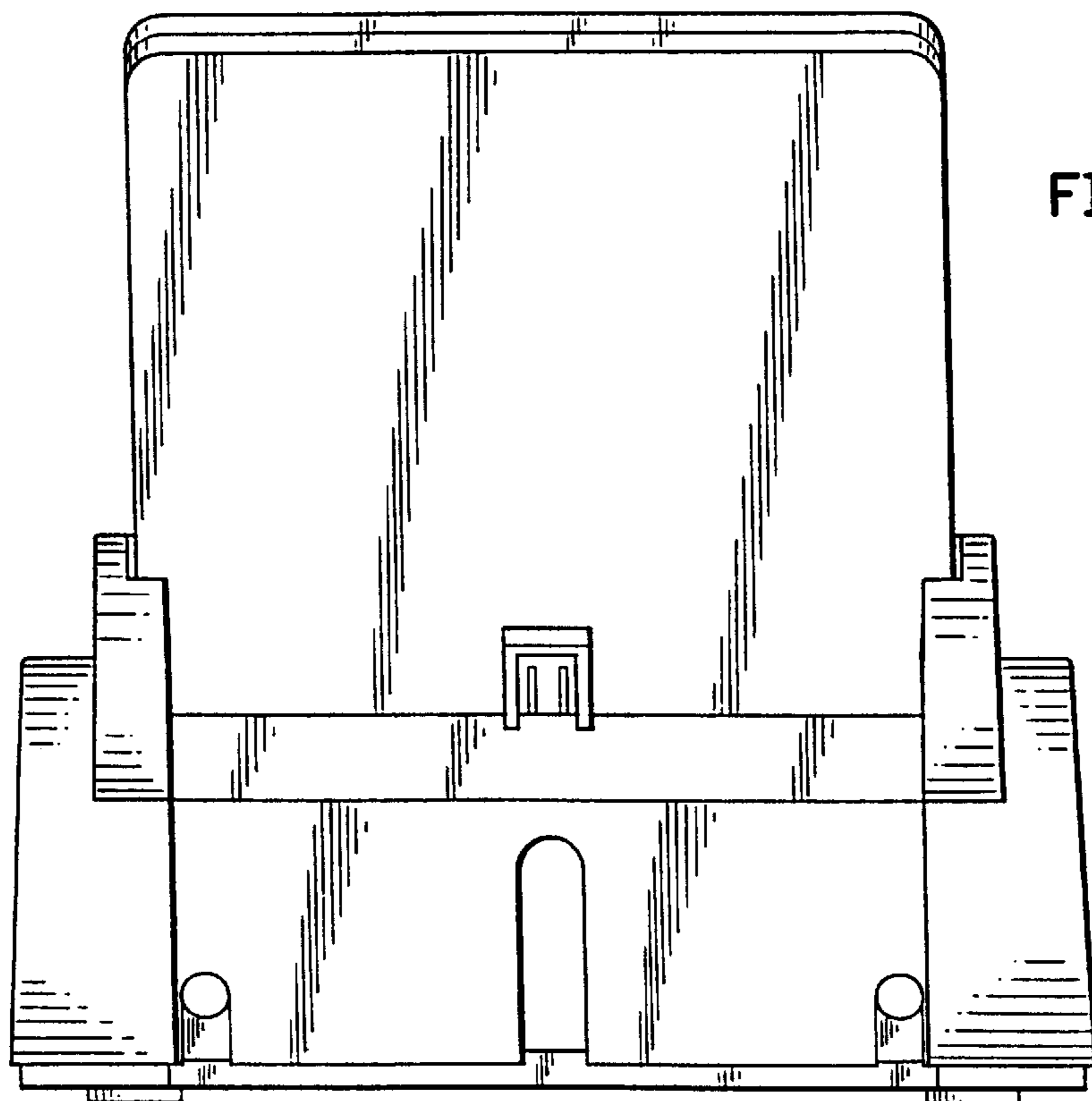


FIG. 4

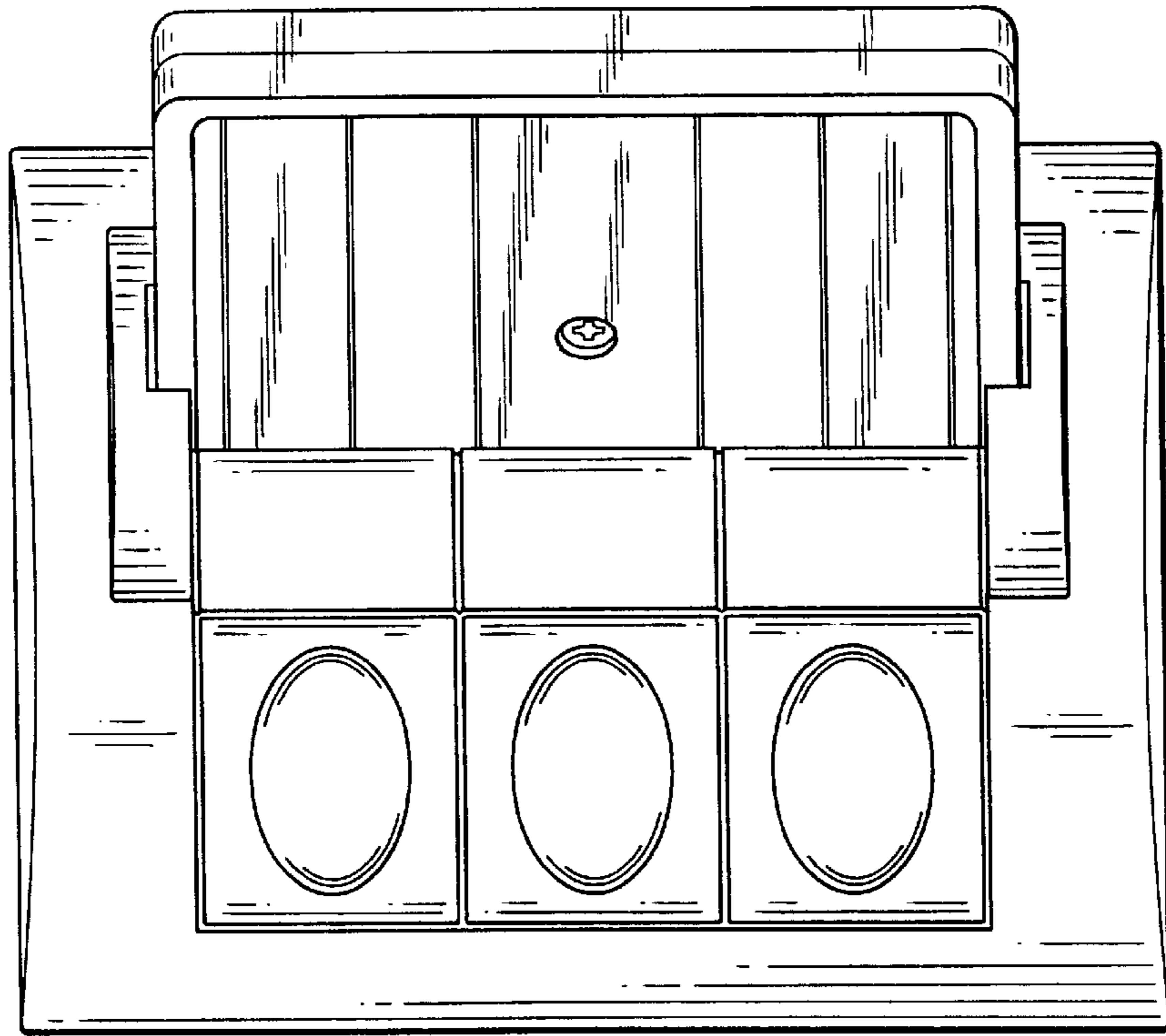


FIG. 5

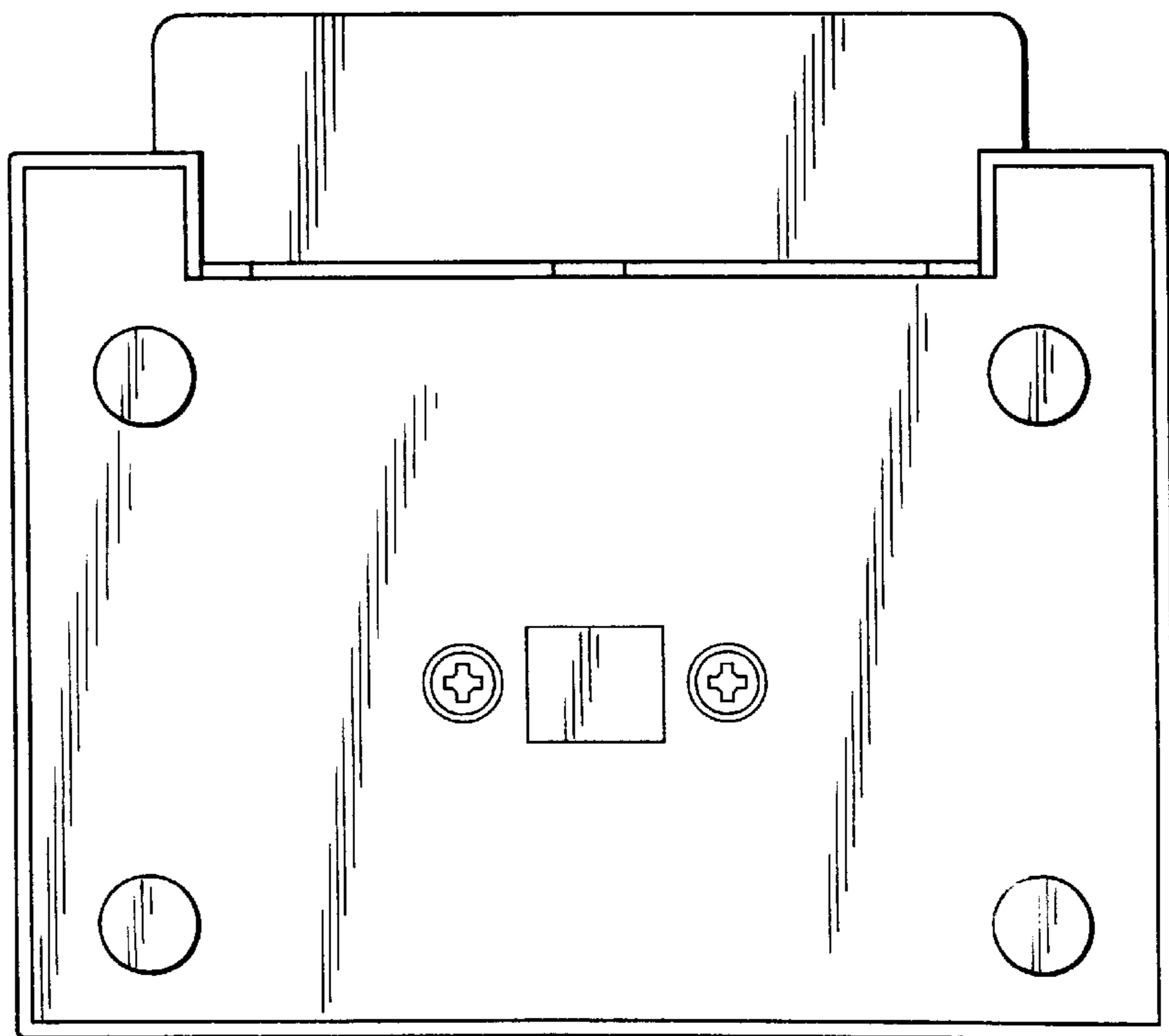


FIG. 6

FIG. 7

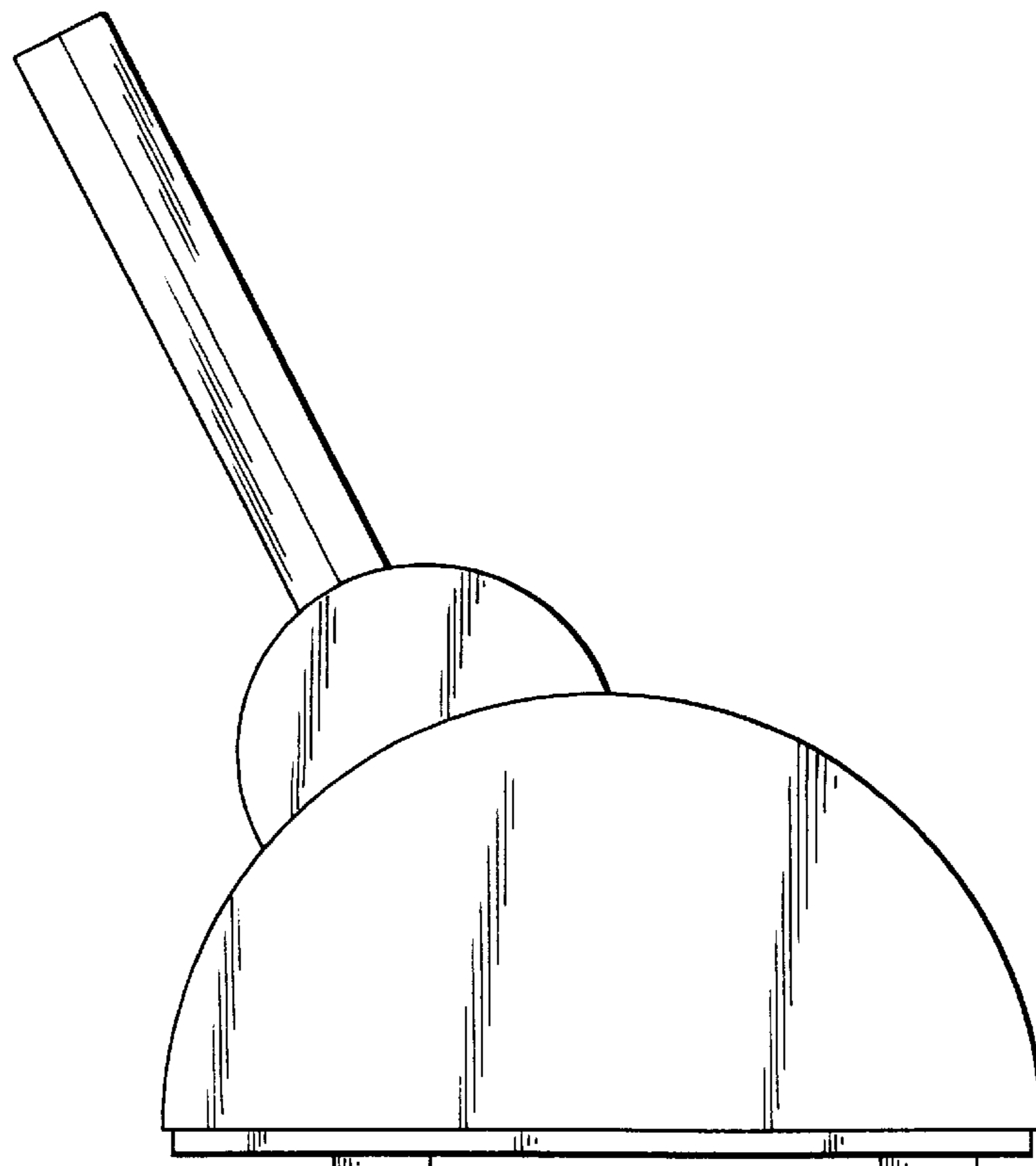
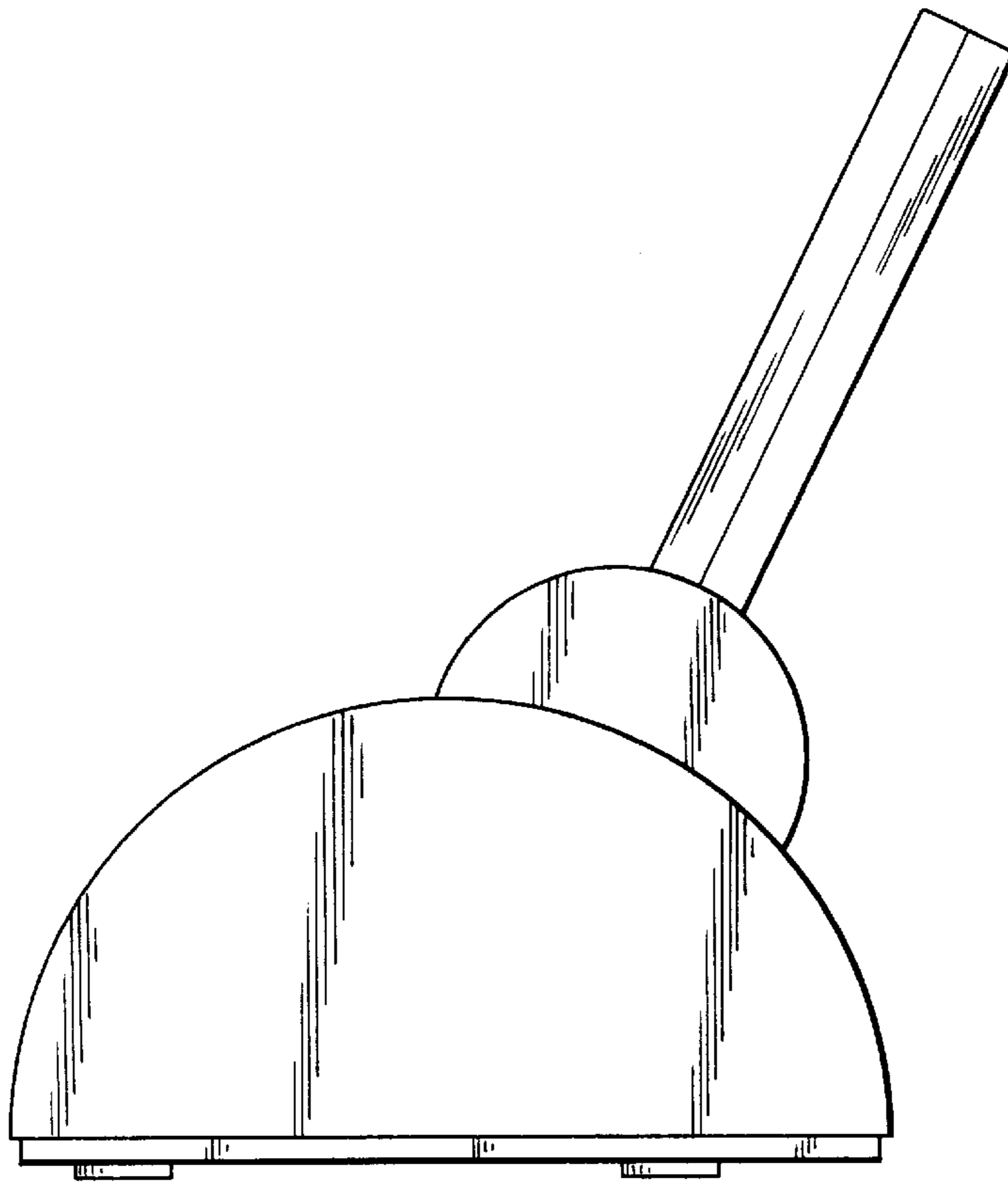


FIG. 8