



US00D421760S

# United States Patent [19] Fleck

[11] **Patent Number: Des. 421,760**

[45] **Date of Patent: \*\* Mar. 21, 2000**

[54] **BINOCULAR HOOD**

[75] **Inventor: John E. Fleck, 33527 5th Pl. SW., Federal Way, Wash. 98023**

[73] **Assignee: John E. Fleck, Federal Way, Wash.**

[\*\*] **Term: 14 Years**

[21] **Appl. No.: 29/104,178**

[22] **Filed: Apr. 29, 1999**

### Related U.S. Application Data

[63] Continuation-in-part of application No. 29/094,418, Sep. 30, 1998, Pat. No. Des. 410,242, which is a continuation-in-part of application No. 29/088,542, May 27, 1998, Pat. No. Des. 409,638.

[51] **LOC (6) Cl. .... 16-06**

[52] **U.S. Cl. .... D16/133; D16/133**

[58] **Field of Search .... D16/130, 133, D16/136, 220, 237; 362/3, 16; D2/865, 876, 891, 893; 2/10, 12, 13; D29/100, 109; 359/449, 450, 451, 480**

### [56] References Cited

#### U.S. PATENT DOCUMENTS

- D. 136,539 10/1943 Jones .
- D. 236,031 7/1975 Almo et al. .
- D. 282,308 1/1986 Kain .
- D. 302,608 8/1989 LaPierre .
- D. 395,055 6/1998 Lee ..... D16/133
- D. 409,638 5/1999 Fleck ..... D16/136
- D. 410,242 5/1999 Fleck ..... D16/136
- 608,005 7/1898 Philbrook .

- 835,240 11/1906 Fraley .
- 4,793,006 12/1988 Dawson ..... 2/195.1
- 4,839,924 6/1989 Laurence .
- 5,197,150 3/1993 Bedient ..... 2/195.1
- 5,598,230 1/1997 Quaresima .
- 5,689,830 11/1997 Pflum .
- 5,884,334 3/1999 Collette et al. .... 2/195.1

*Primary Examiner*—Paula A. Mortimer  
*Attorney, Agent, or Firm*—Seed & Berry, LLP

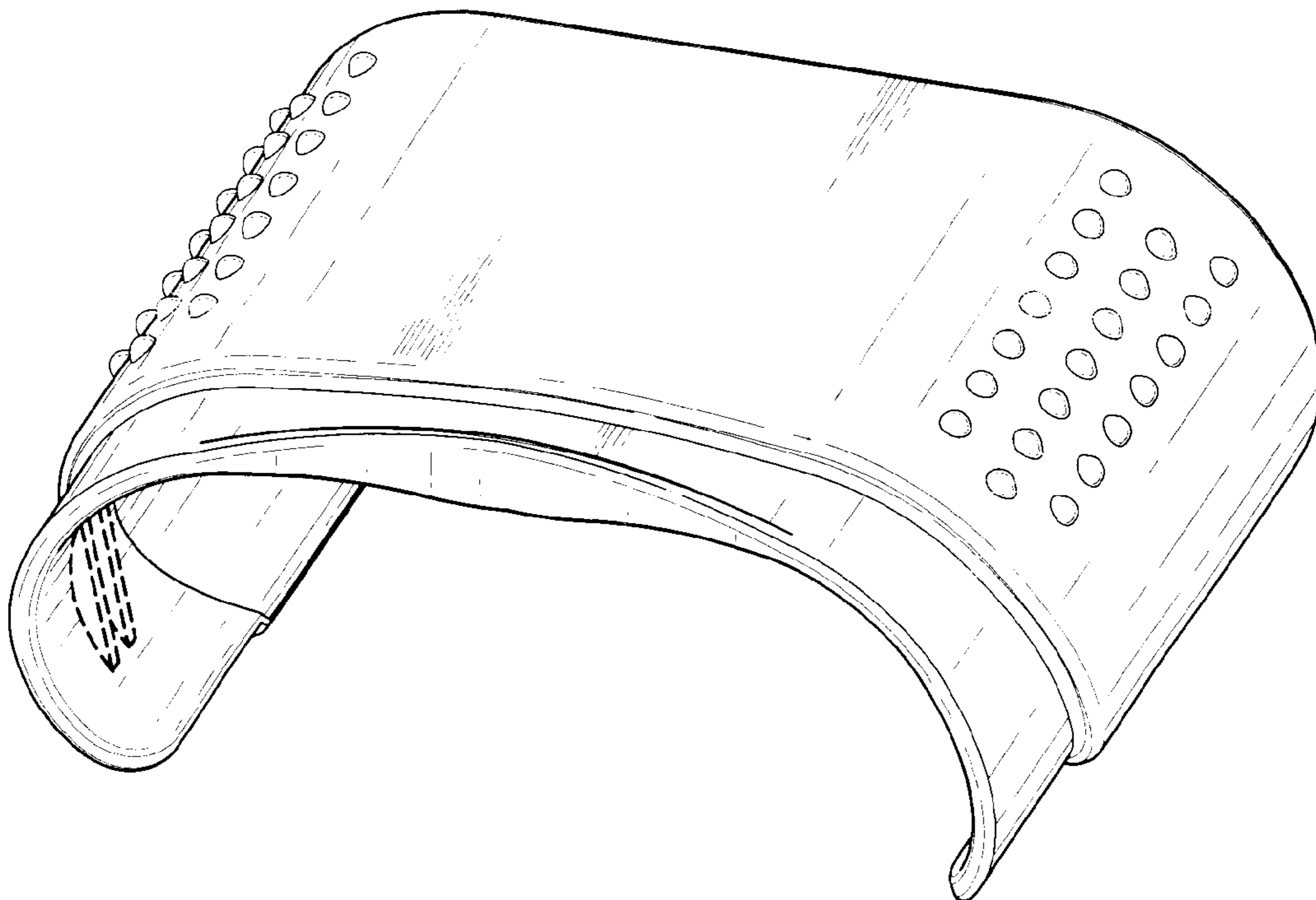
### [57] CLAIM

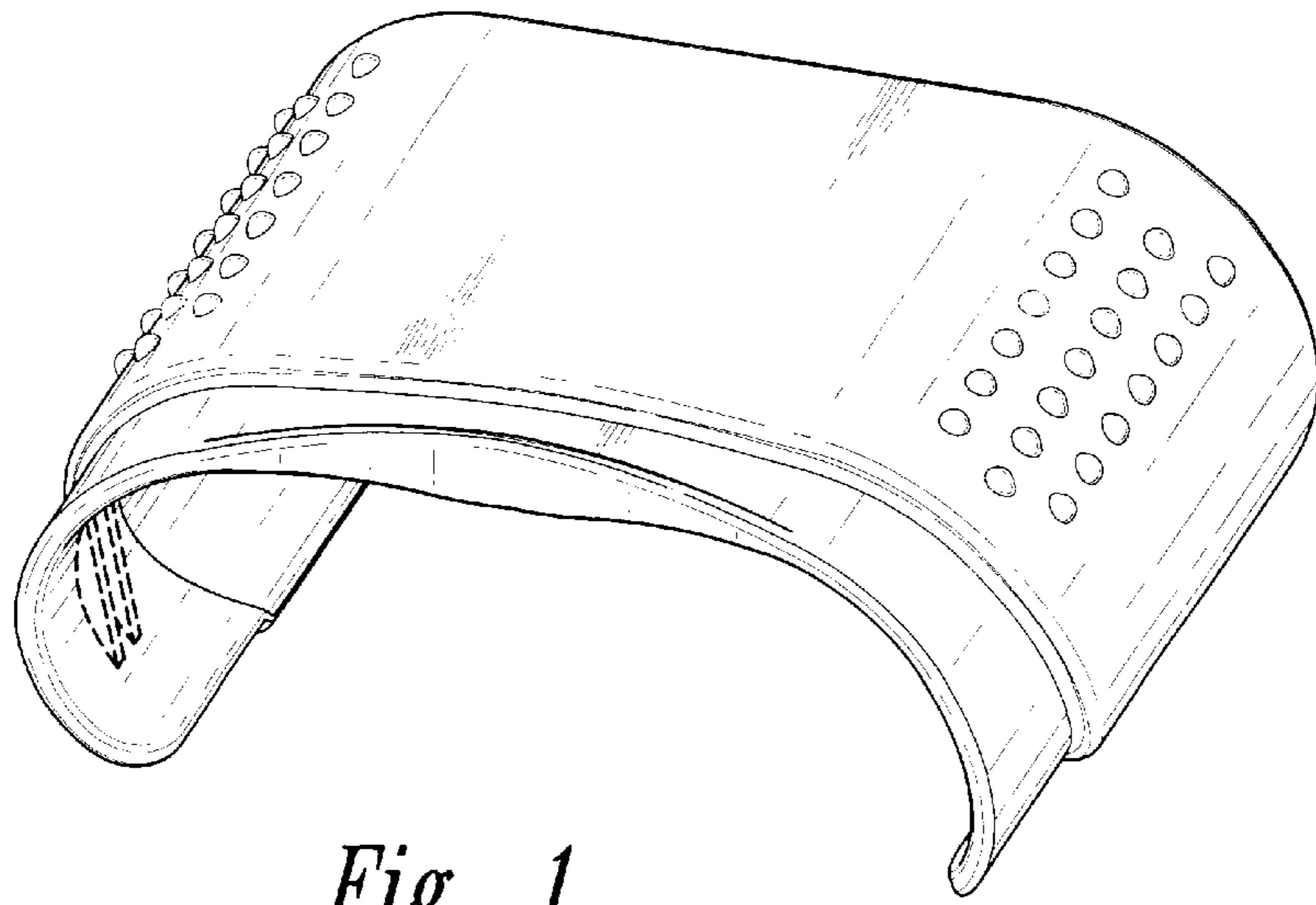
The ornamental design for a binocular hood, as shown and described.

### DESCRIPTION

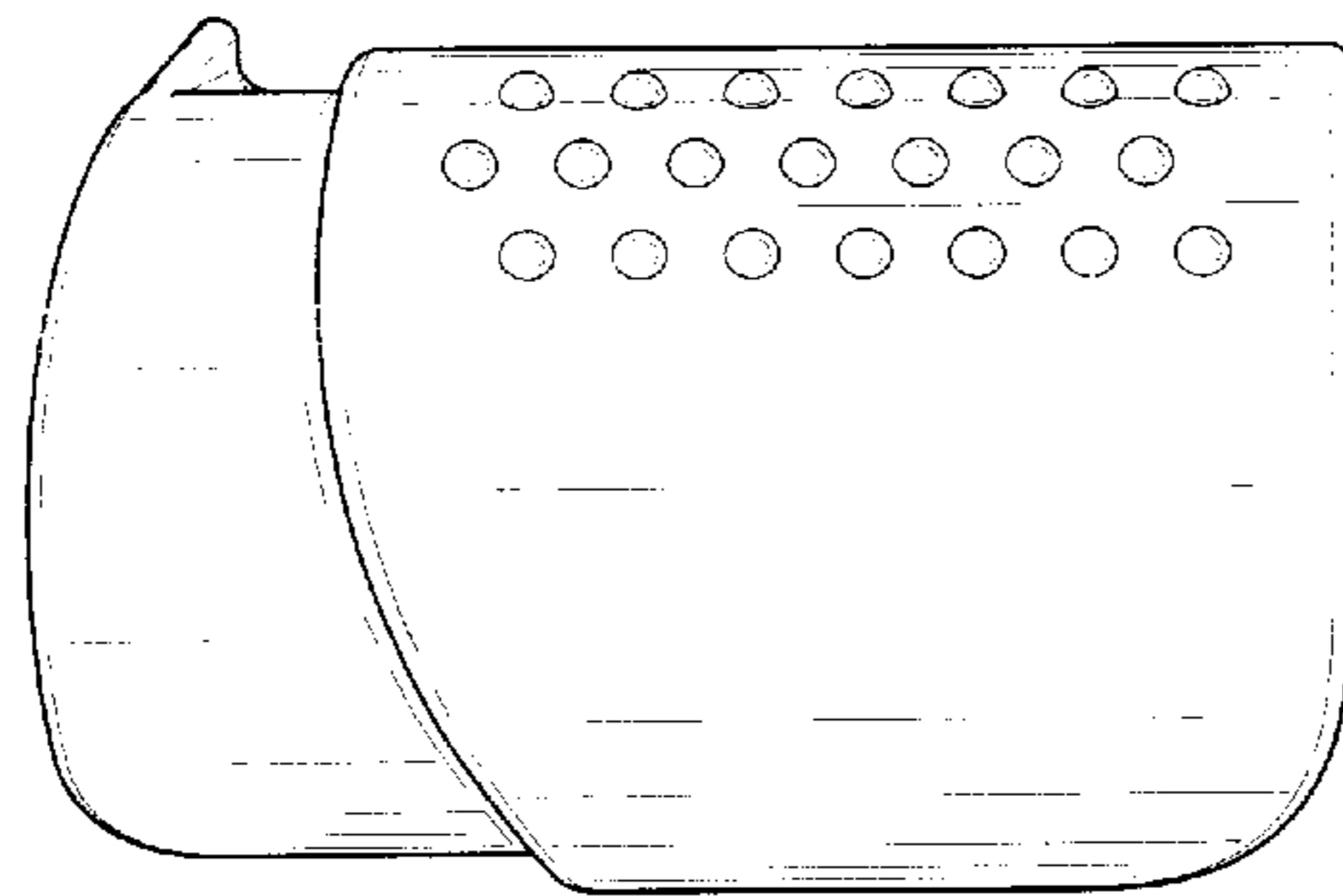
FIG. 1 is a front isometric view of a binocular hood showing my new design;  
 FIG. 2 is a right side elevational view thereof, the left side view being identical;  
 FIG. 3 is a top plan view thereof;  
 FIG. 4 is a bottom plan view thereof;  
 FIG. 5 is a rear elevational view thereof;  
 FIG. 6 is a front elevational view thereof;  
 FIG. 7 is a front isometric view of an alternative embodiment of the binocular hood showing my new design;  
 FIG. 8 is a right side elevational view thereof, the left side view being identical;  
 FIG. 9 is a top plan view thereof;  
 FIG. 10 is a bottom plan view thereof;  
 FIG. 11 is a rear elevational view thereof; and,  
 FIG. 12 is a front elevational view thereof.  
 The broken lines are for illustrative purposes only and form no part of the claimed design.

**1 Claim, 4 Drawing Sheets**

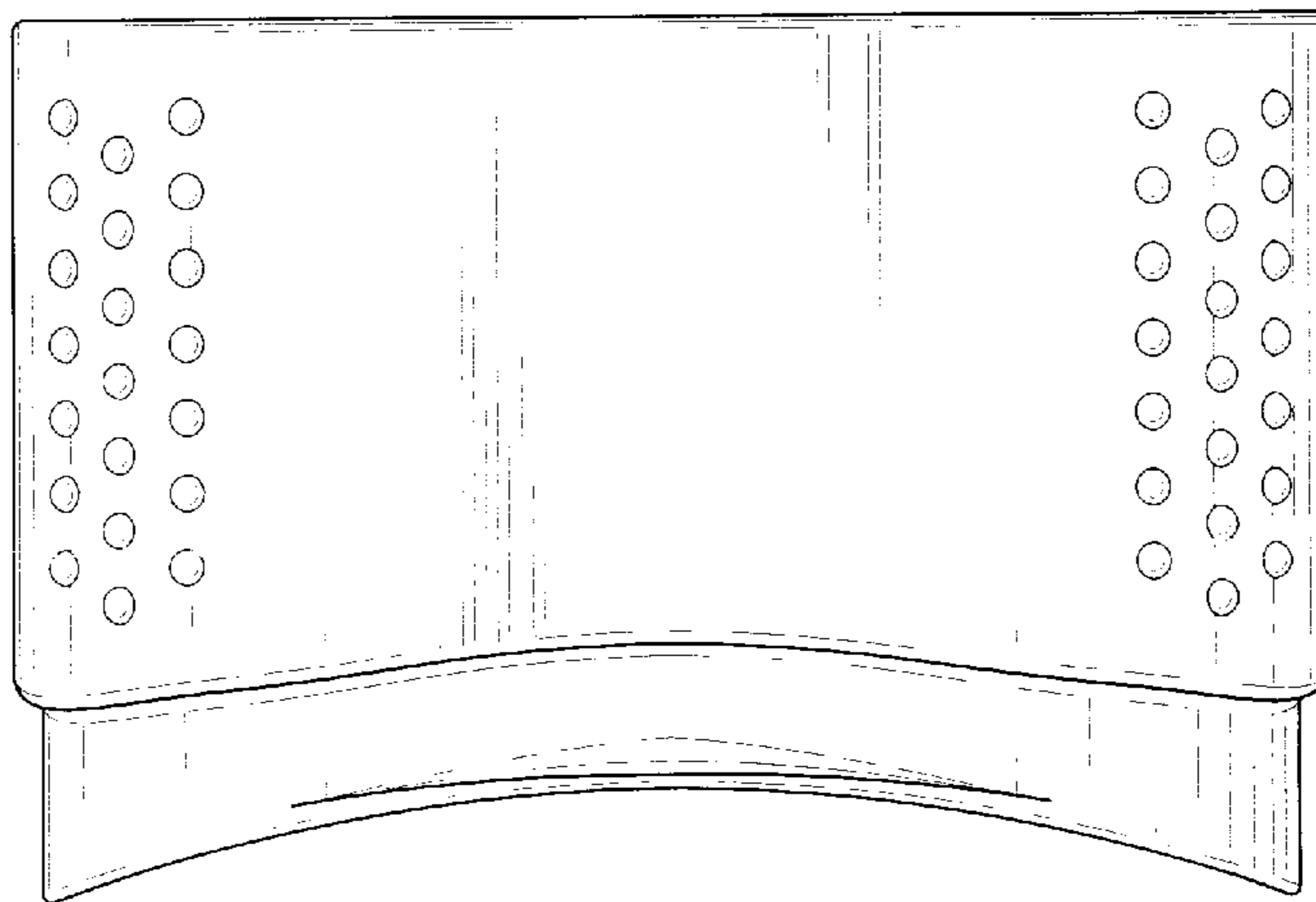




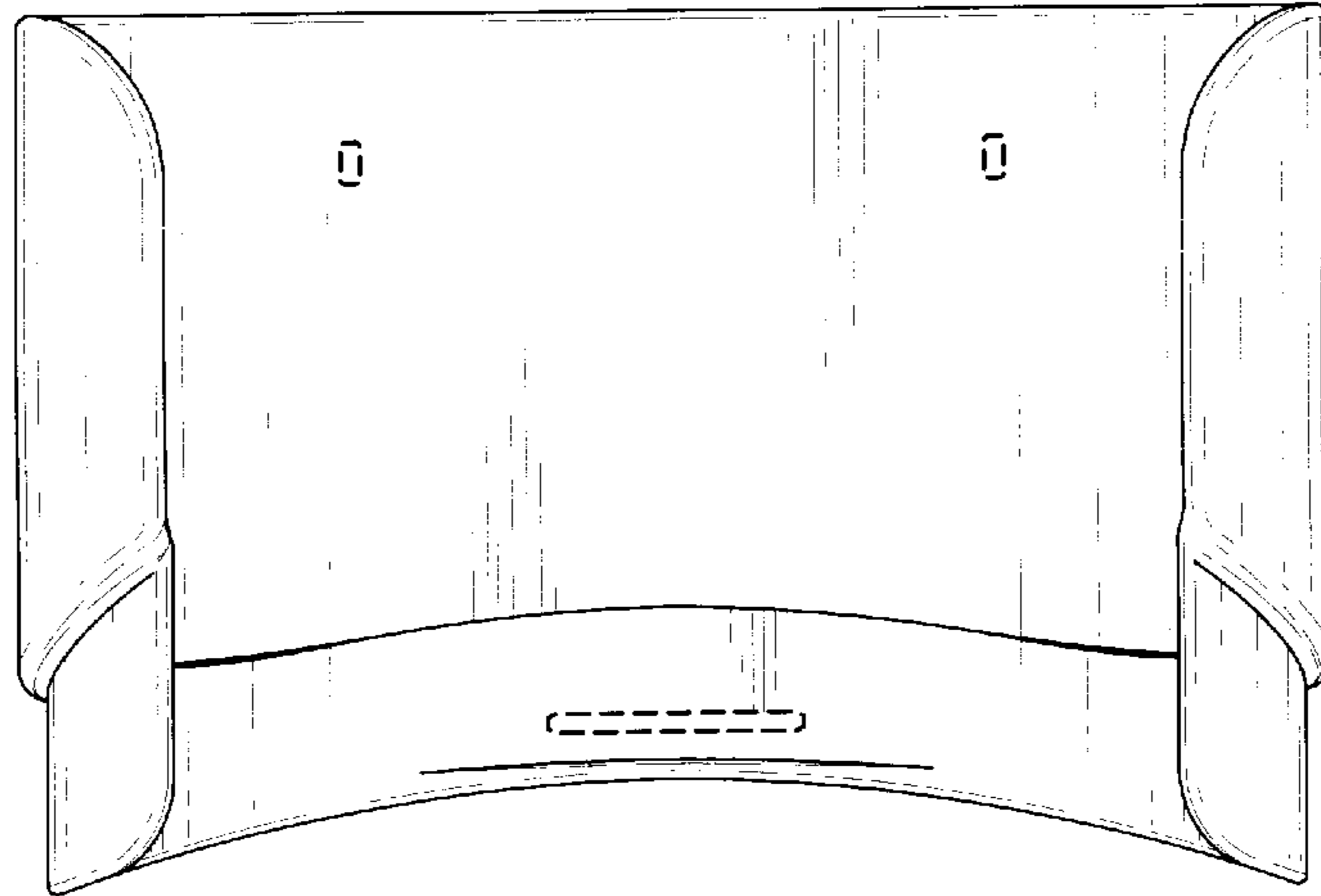
*Fig. 1*



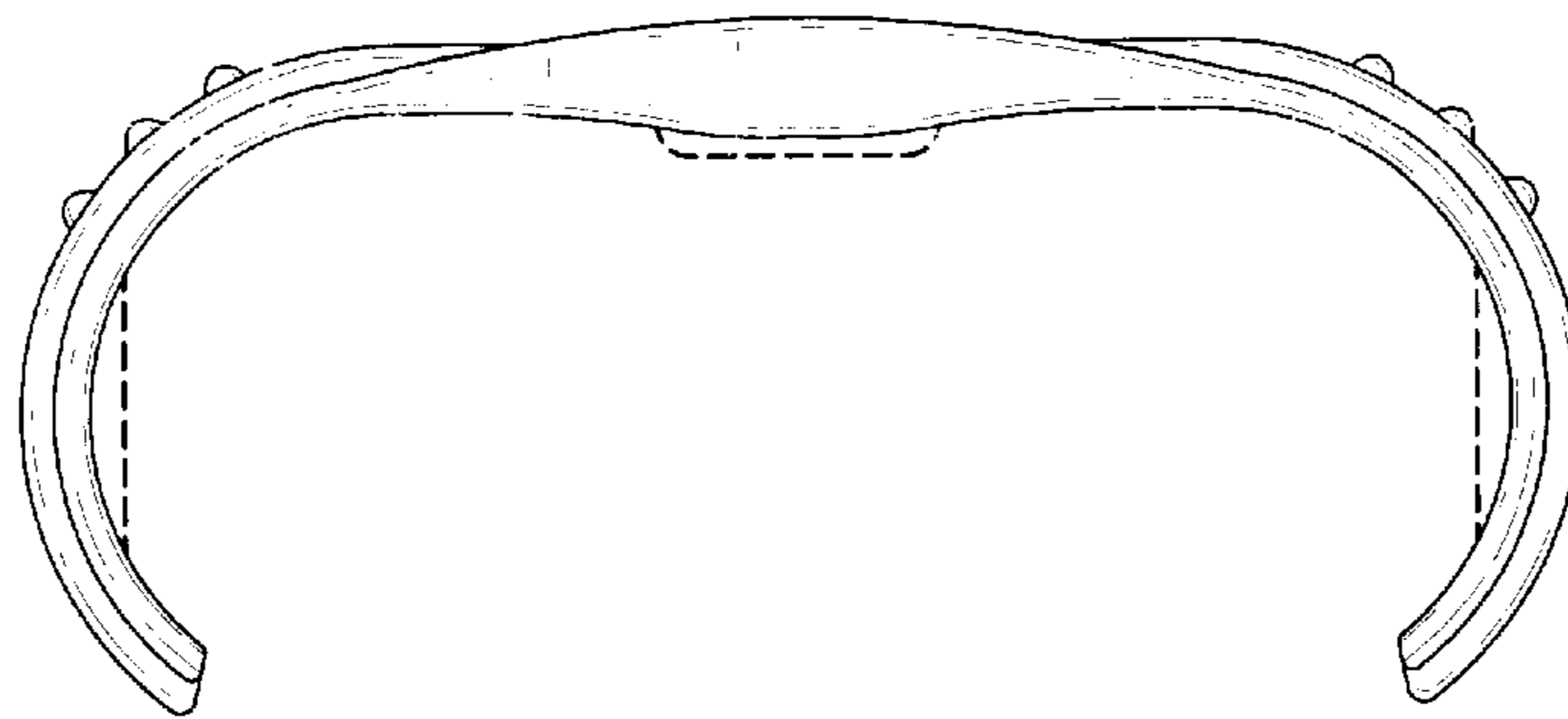
*Fig. 2*



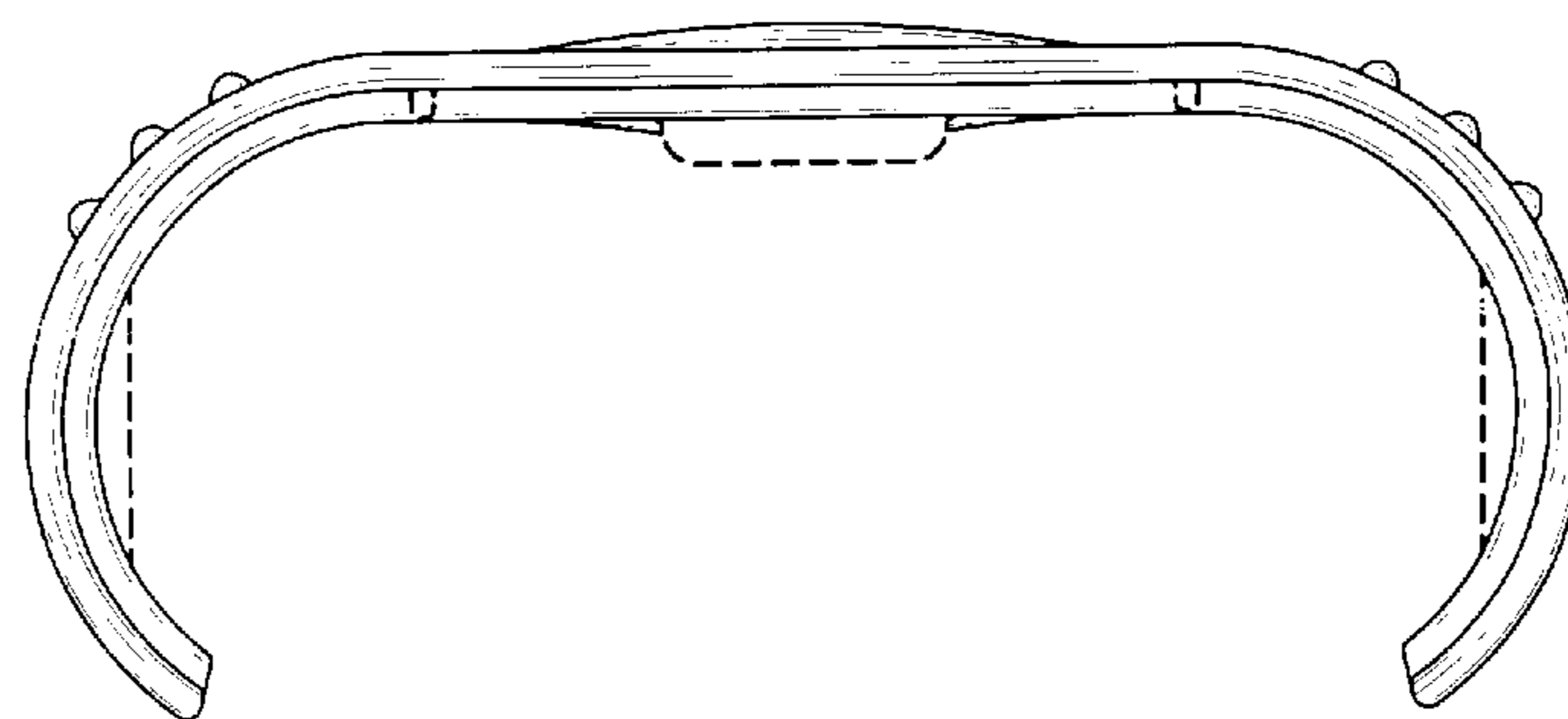
*Fig. 3*



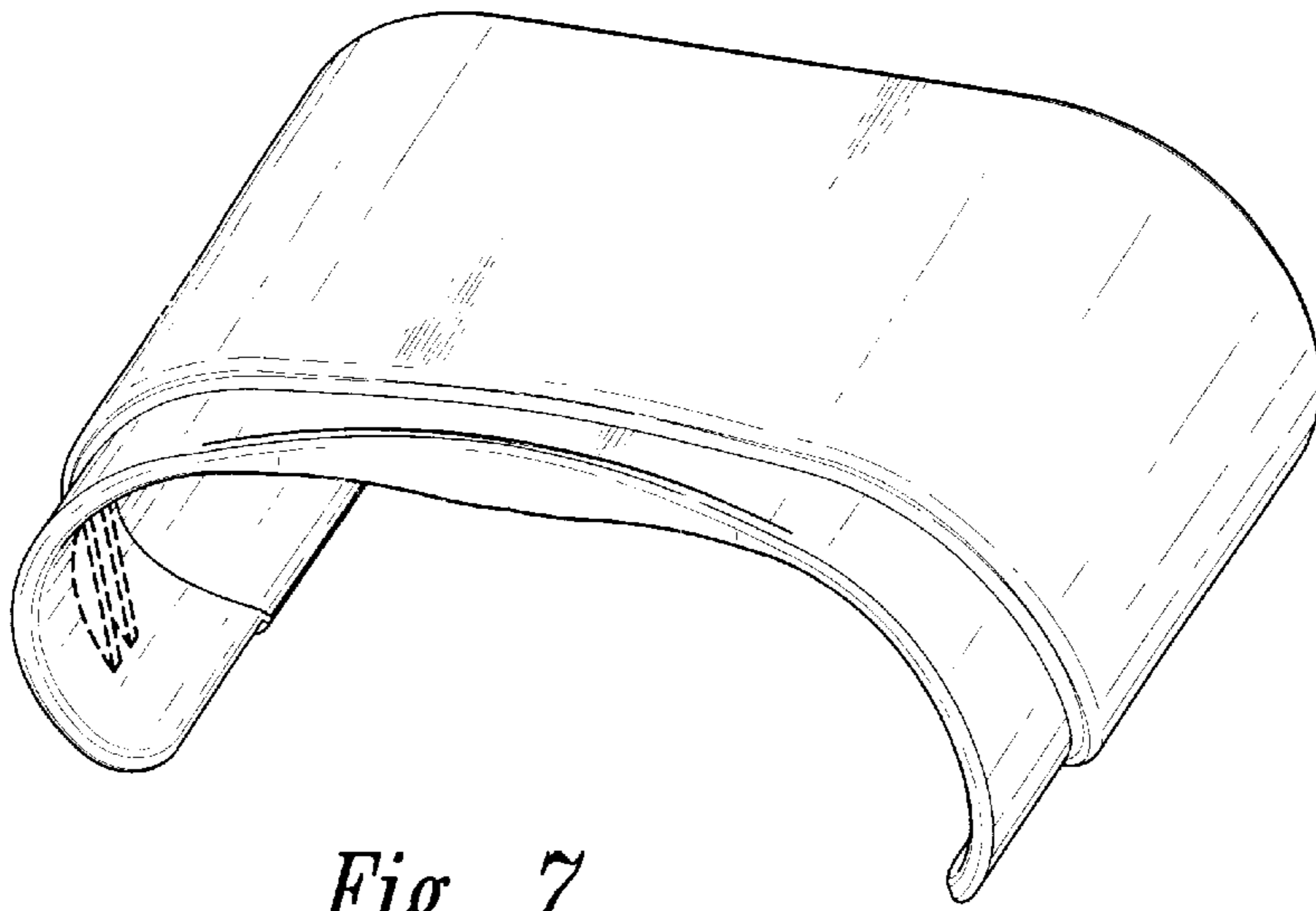
*Fig. 4*



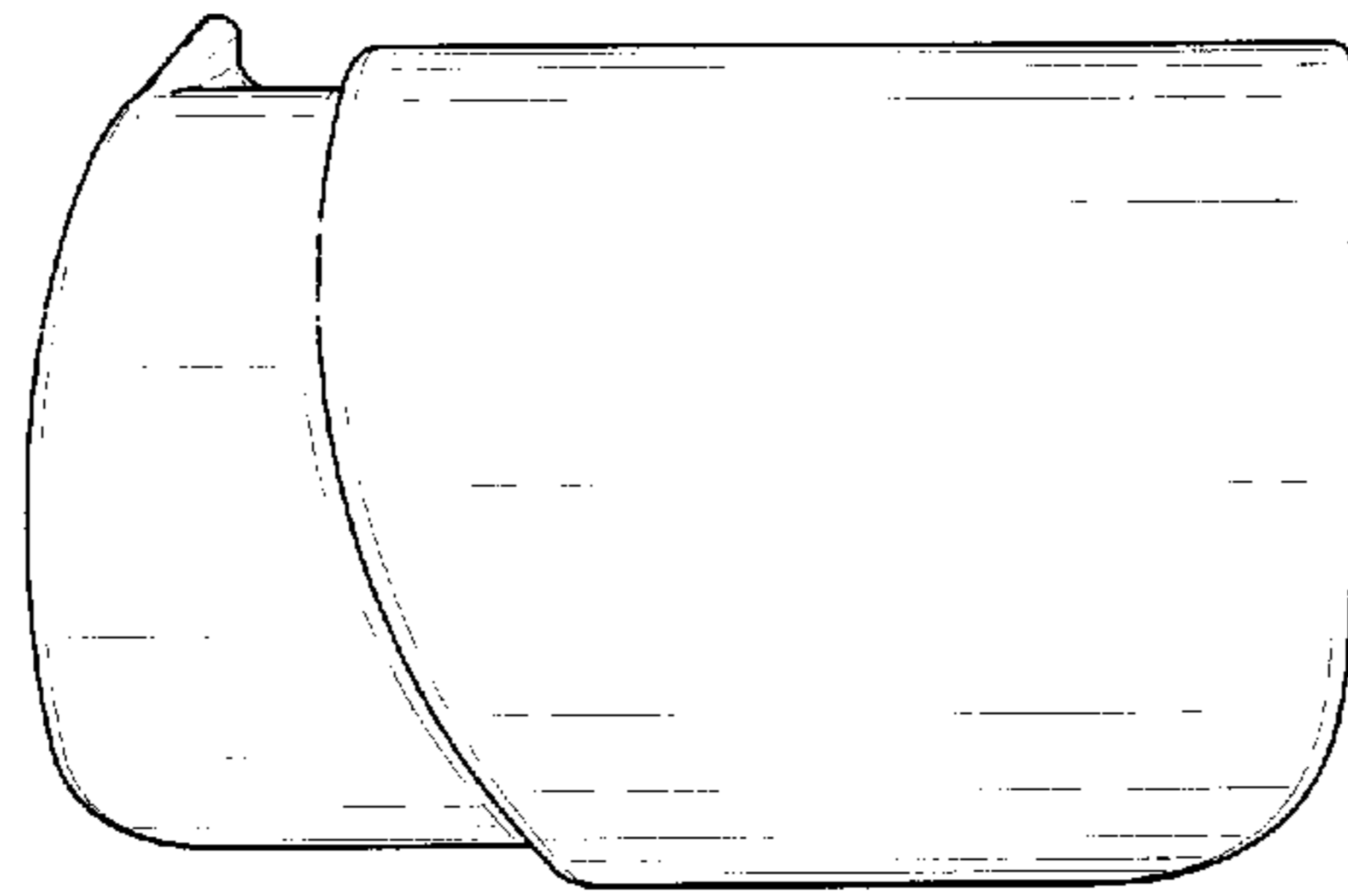
*Fig. 5*



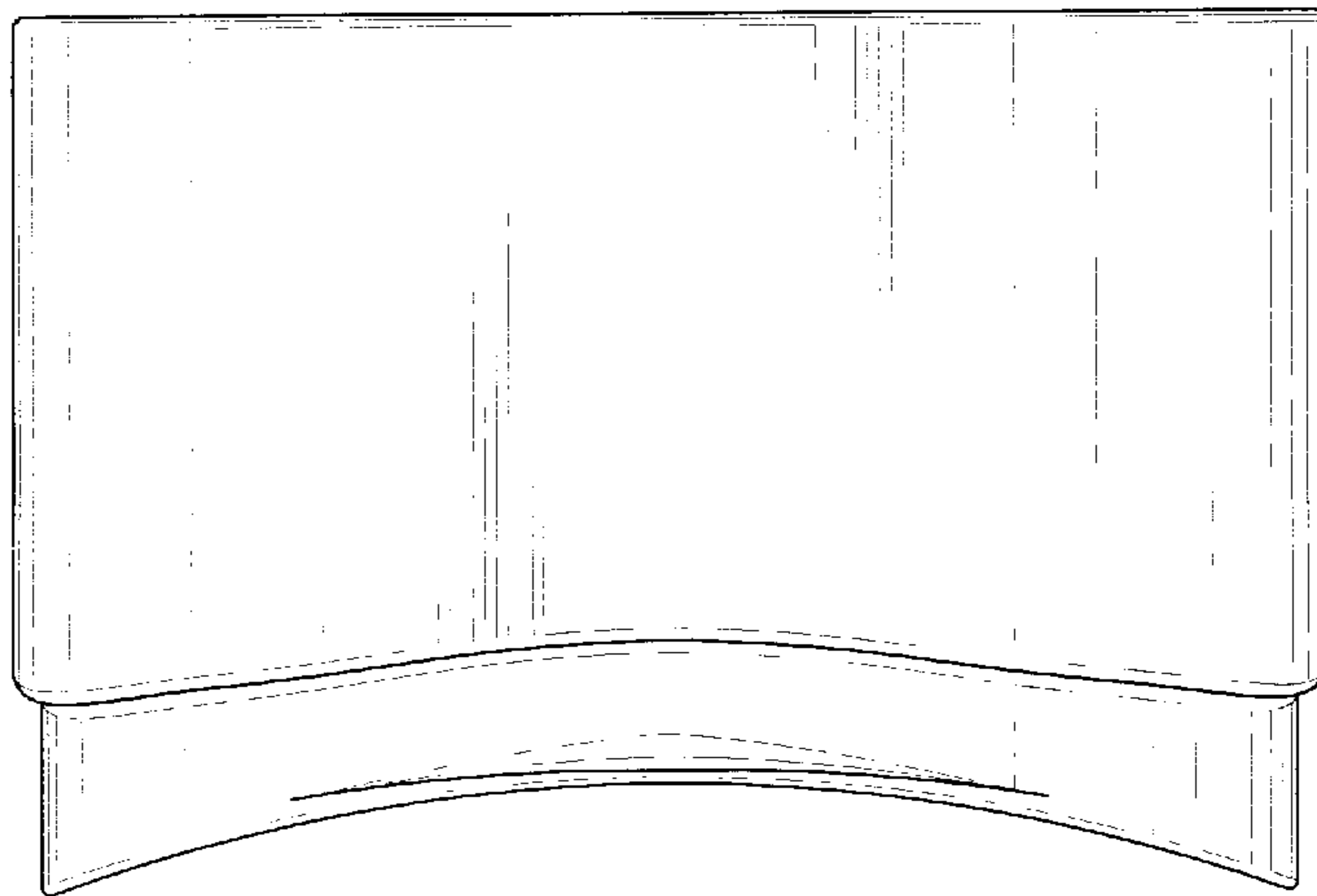
*Fig. 6*



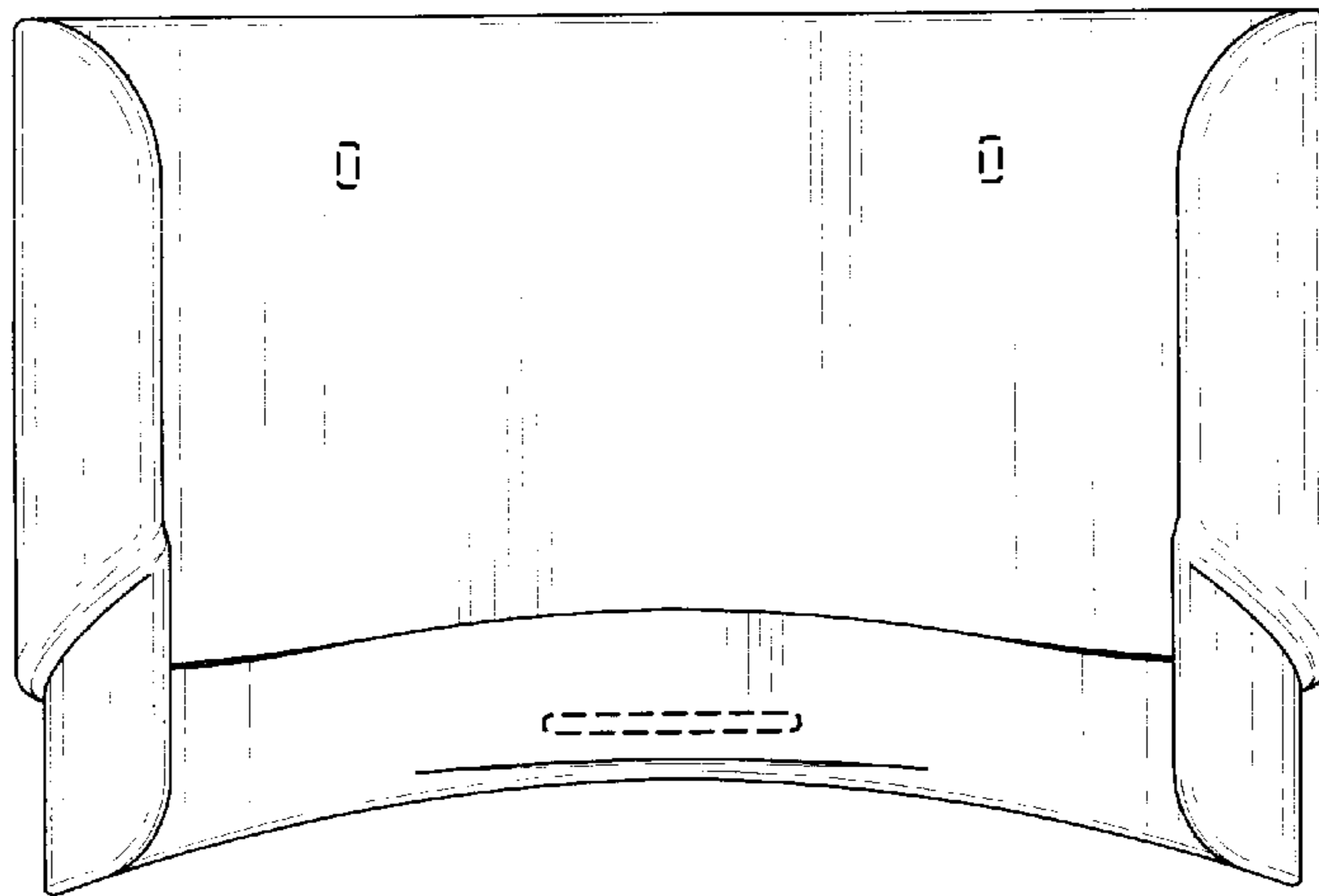
*Fig. 7*



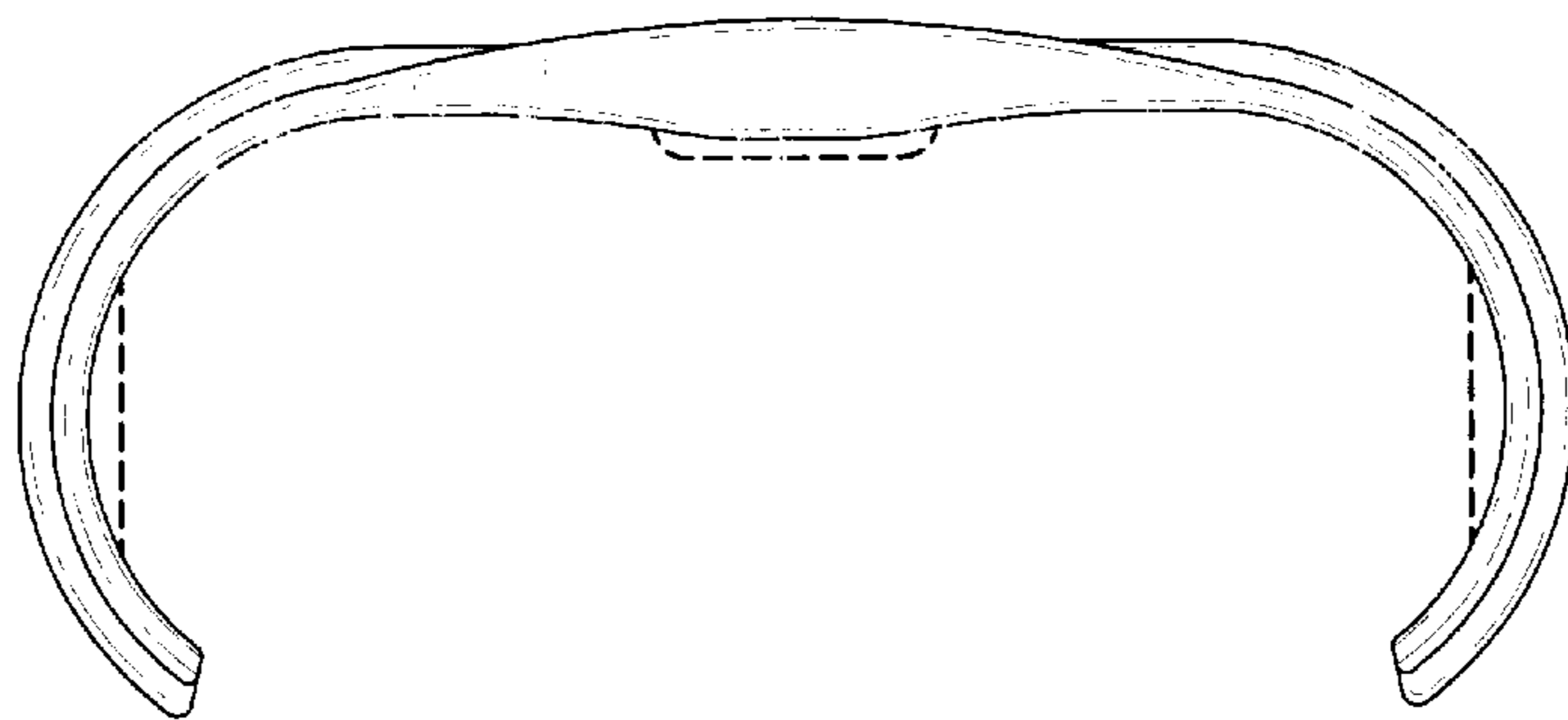
*Fig. 8*



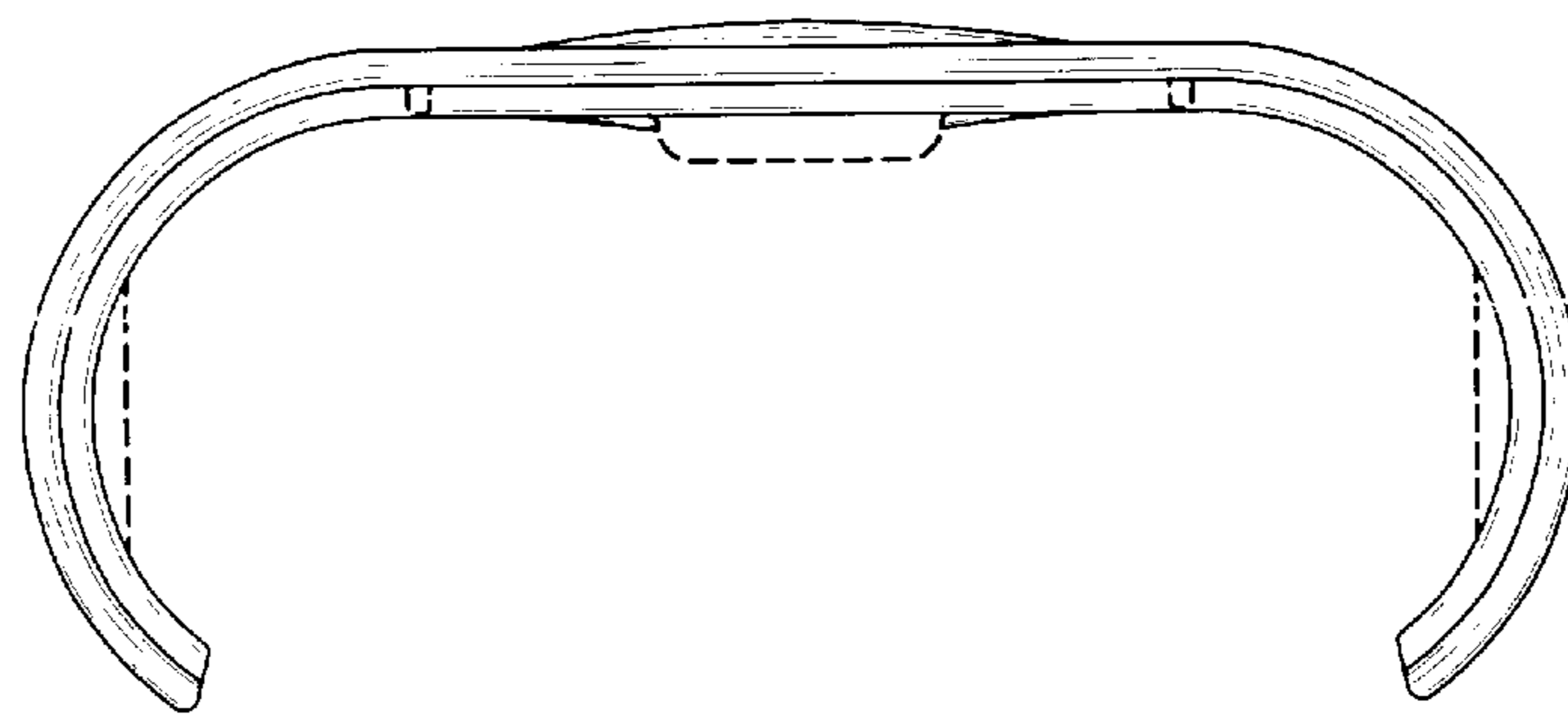
*Fig. 9*



*Fig. 10*



*Fig. 11*



*Fig. 12*