



US00D421758S

United States Patent [19]
Khaladj et al.

[11] **Patent Number: Des. 421,758**
[45] **Date of Patent: ** Mar. 21, 2000**

[54] **HANDLE BREAK PROTECTOR**

D. 379,580 6/1997 Amundsen D15/142

[76] Inventors: **Faramarz Khaladj; Farhad Khalaj; Steve Khalaj**, all of 23161 Peralta Dr., Laguna Hills, Calif. 92653

Primary Examiner—Antoine Duval Davis

[**] Term: **14 Years**

[57] **CLAIM**

The ornamental design for a “handle break protector”, as shown and described.

[21] Appl. No.: **29/107,836**

DESCRIPTION

[22] Filed: **Jul. 14, 1999**

[51] **LOC (6) Cl.** **15-09**

[52] **U.S. Cl.** **D15/142**

[58] **Field of Search** D15/131, 142;
D8/300, 807, 309, 352; 74/545, 552, 553,
557

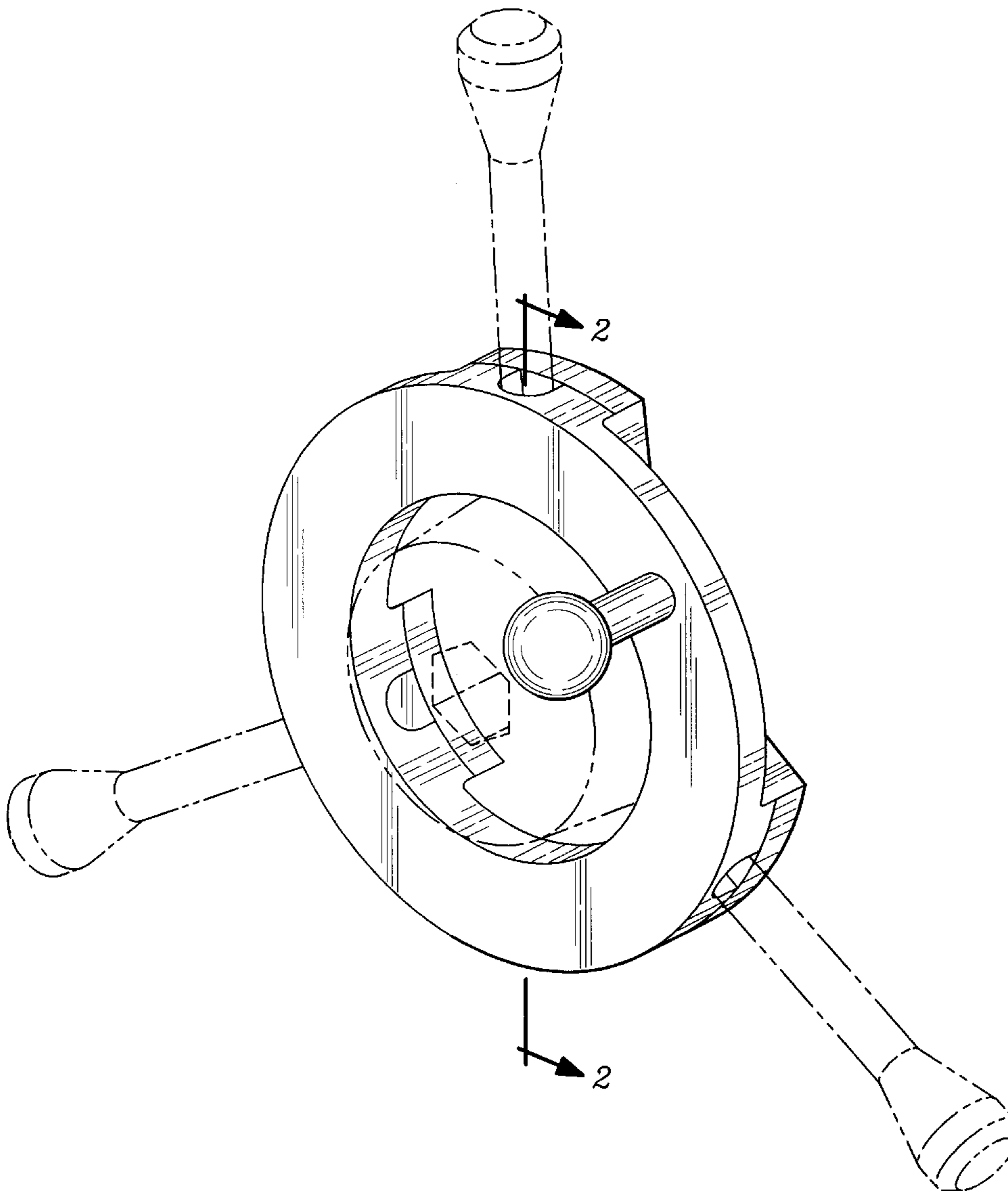
FIG. 1 is a perspective view of a handle break protector showing my new design;
FIG. 2 is a cross-section view thereof;
FIG. 3 is a front elevational view thereof;
FIG. 4 is a rear elevational view thereof;
FIG. 5 is a top plan view thereof; and,
FIG. 6 is a bottom plan view thereof.
The broken line showing is for illustrative purposes only and forms no part of the claimed design.

[56] **References Cited**

U.S. PATENT DOCUMENTS

D. 282,460 2/1986 Ernst D15/142

1 Claim, 3 Drawing Sheets



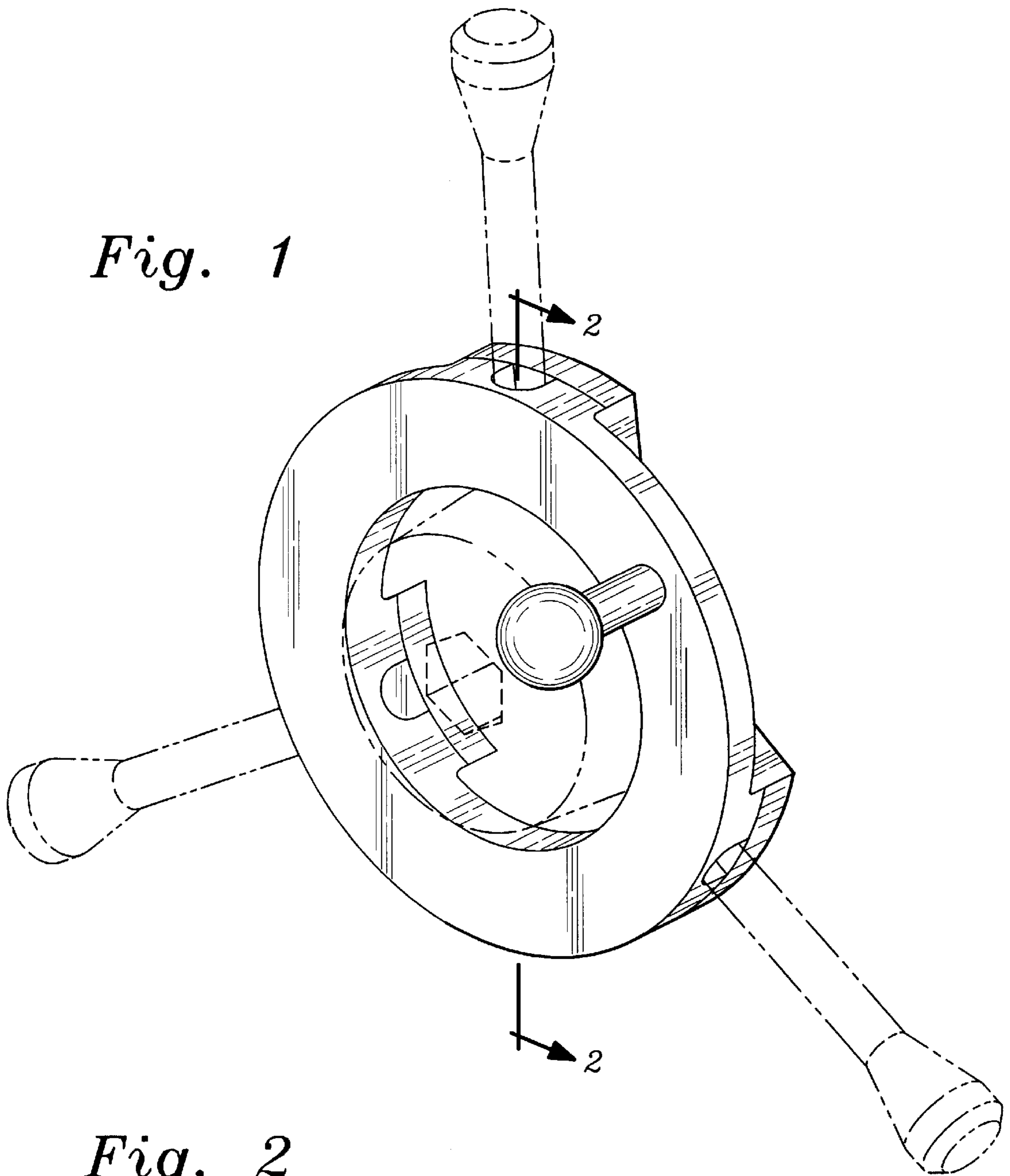


Fig. 2

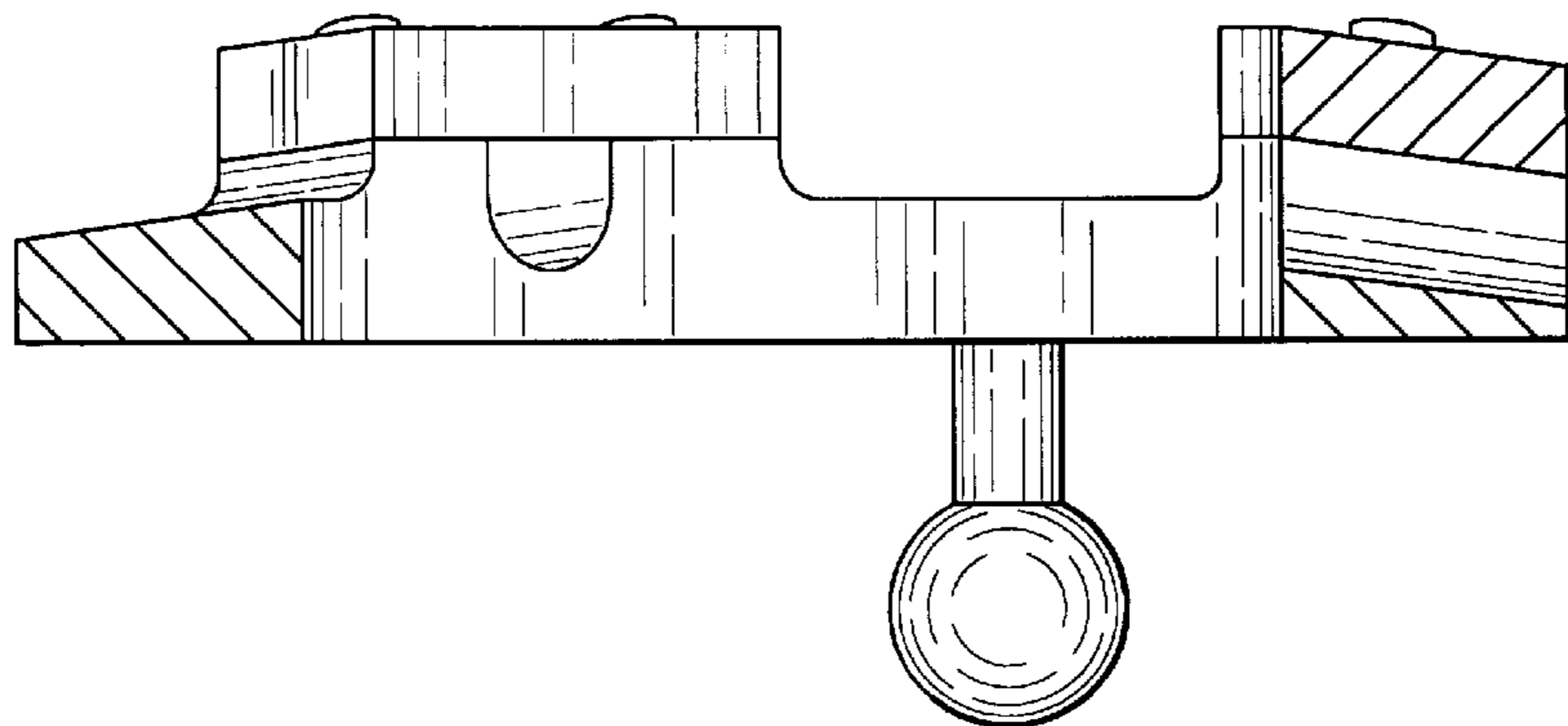


Fig. 3

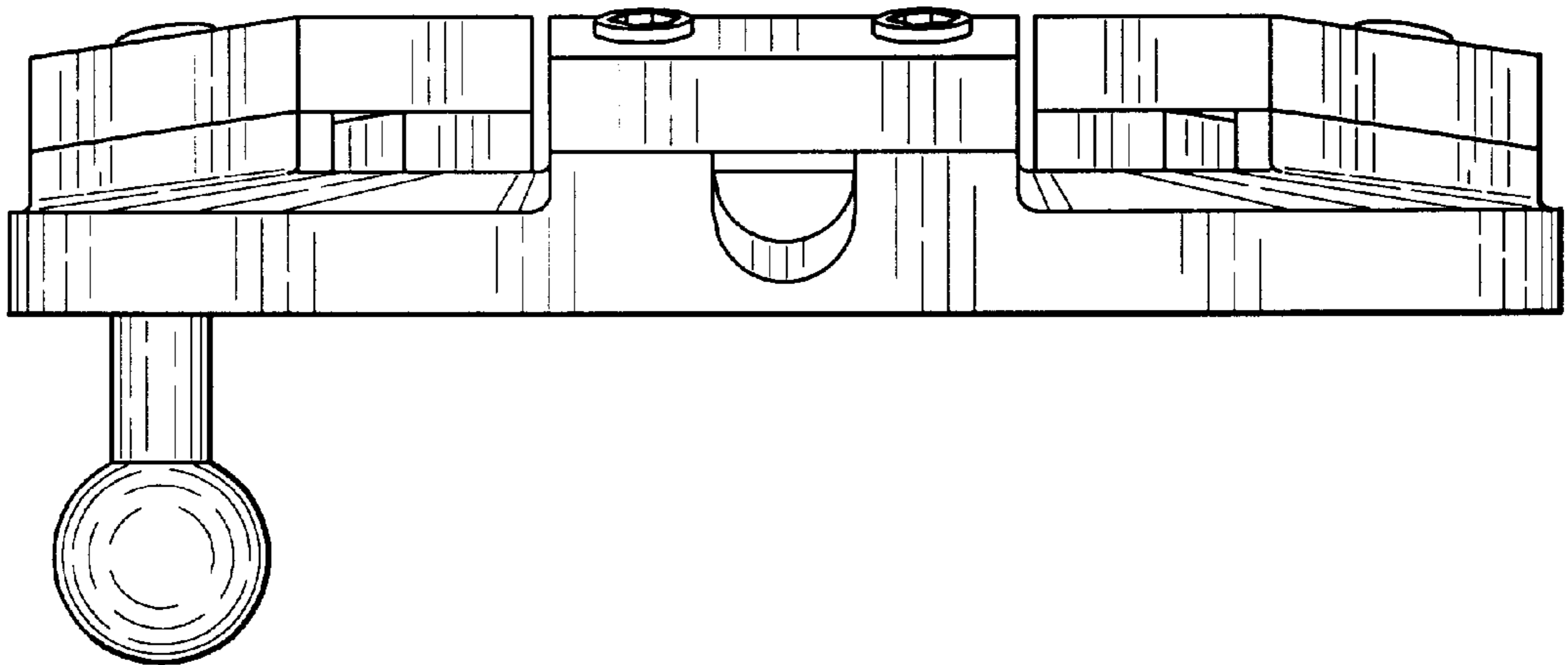


Fig. 4

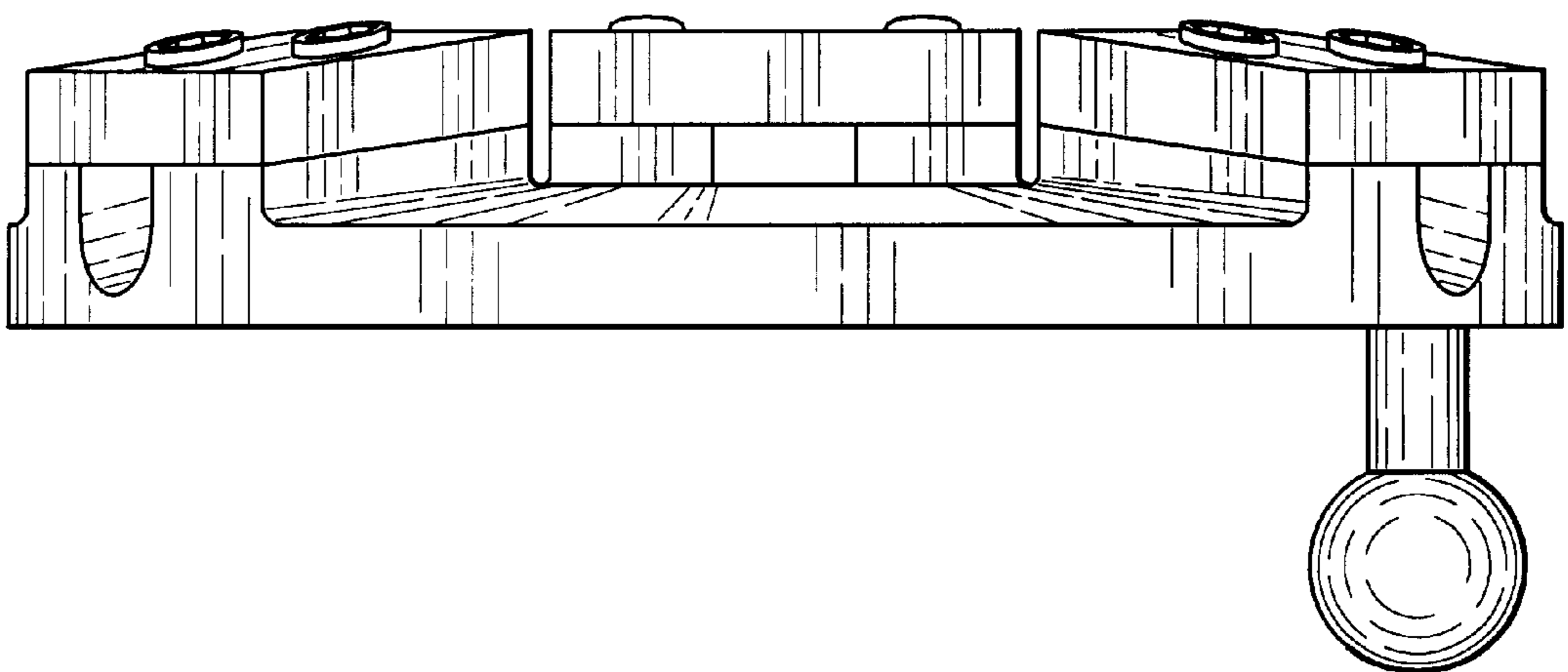


Fig. 5

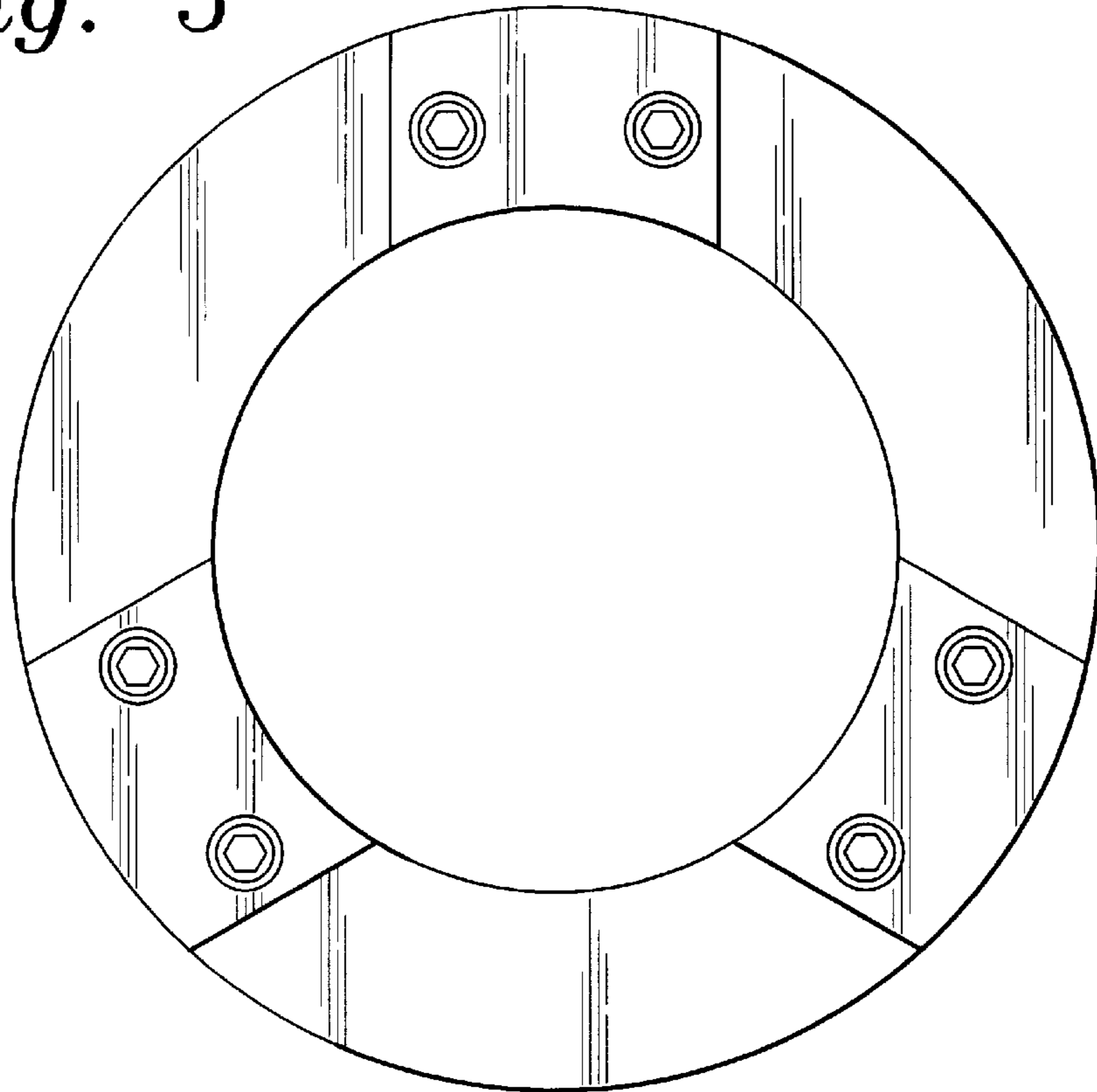


Fig. 6

