



US00D421756S

United States Patent [19] Bonzer

[11] Patent Number: Des. 421,756

[45] Date of Patent: ** Mar. 21, 2000

[54] HAND-GRIP CORDLESS INFLATOR

[76] Inventor: Robert L. Bonzer, 905 W. Amity Rd.,
Boise, Id. 83705

[**] Term: 14 Years

[21] Appl. No.: 29/108,324

[22] Filed: Jul. 23, 1999

[51] LOC (6) Cl. 15-02

[52] U.S. Cl. D15/7

[58] Field of Search D15/7, 8, 9; 417/231,
417/234, 410.4

[56] **References Cited**

U.S. PATENT DOCUMENTS

- D. 248,396 7/1978 Sendak D15/7
- D. 266,091 9/1982 Richards et al. D15/7
- D. 900,892 11/1998 Williams D15/9

Primary Examiner—Ralf Seifert
Attorney, Agent, or Firm—Frank J. Dykas

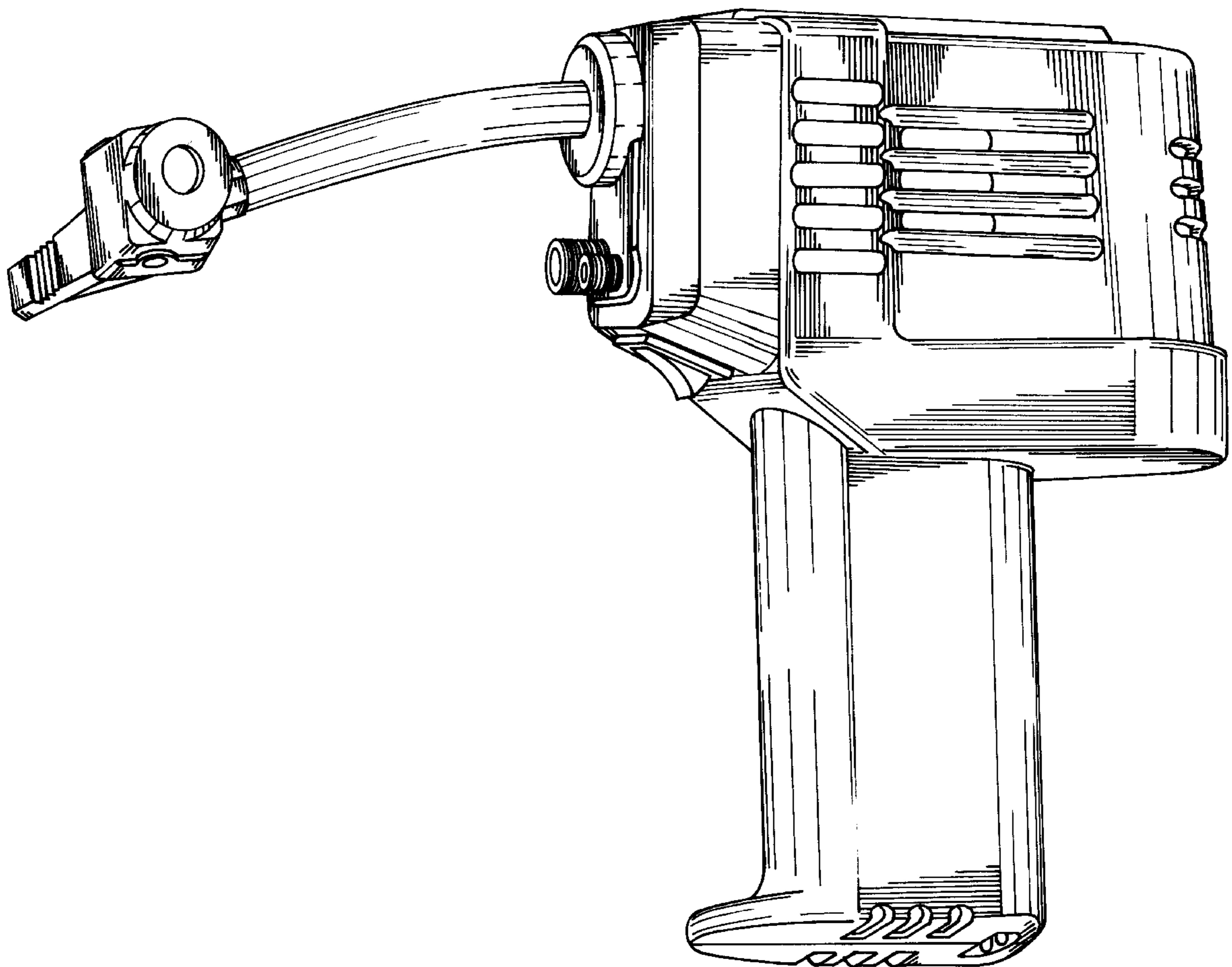
[57] **CLAIM**

The ornamental design for a hand-grip cordless inflator, as shown and described.

DESCRIPTION

FIG. 1 is a perspective view of a hand-grip cordless inflator showing my new design;
 FIG. 2 is a first side view of the hand-grip cordless inflator;
 FIG. 3 is a second side view of the hand-grip cordless inflator;
 FIG. 4 is a first end view of the hand-grip cordless inflator;
 FIG. 5 is a second end view of the hand-grip cordless inflator;
 FIG. 6 is a top view of the hand-grip cordless inflator; and,
 FIG. 7 is a bottom view of the hand-grip cordless inflator.

1 Claim, 7 Drawing Sheets



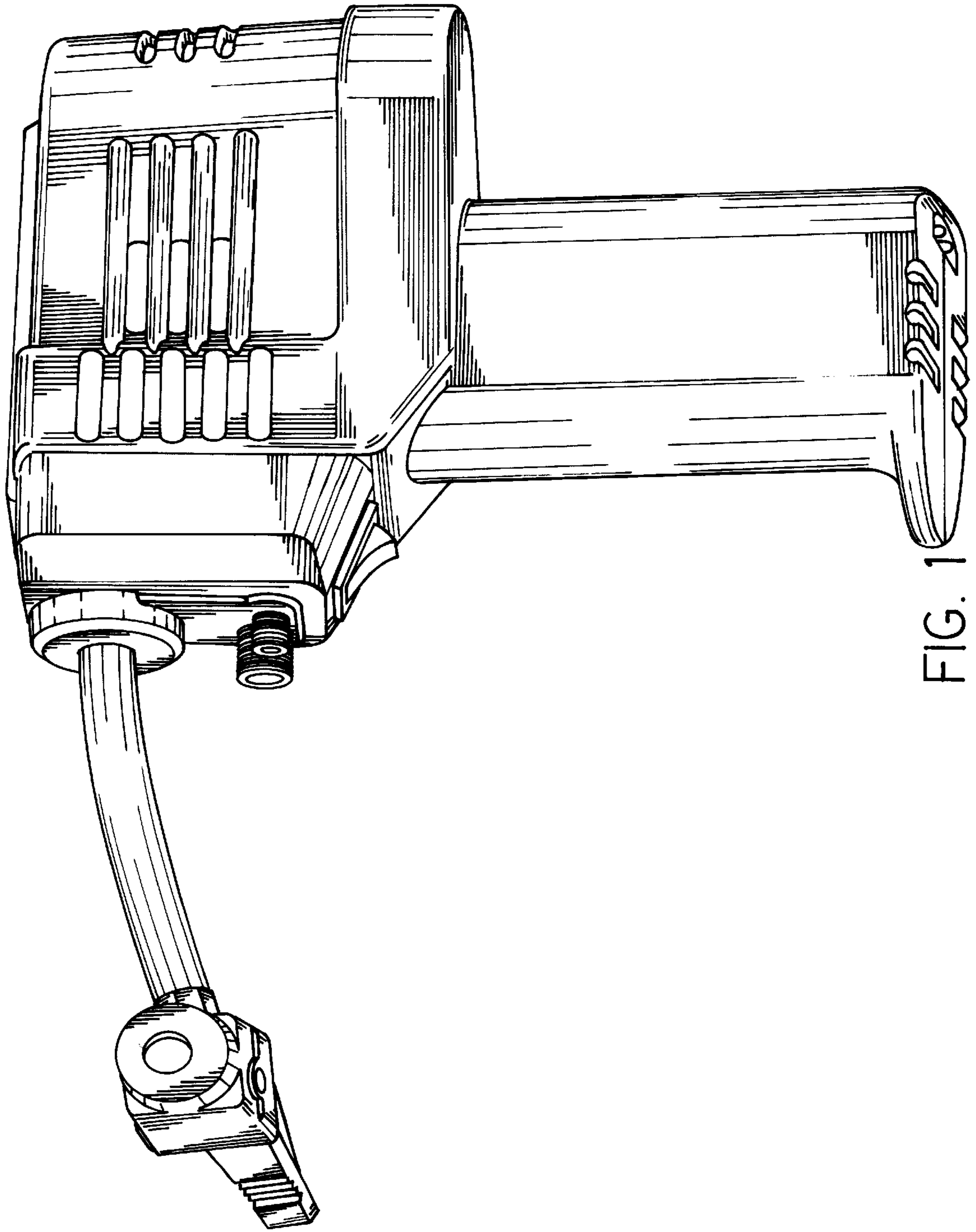


FIG. 1

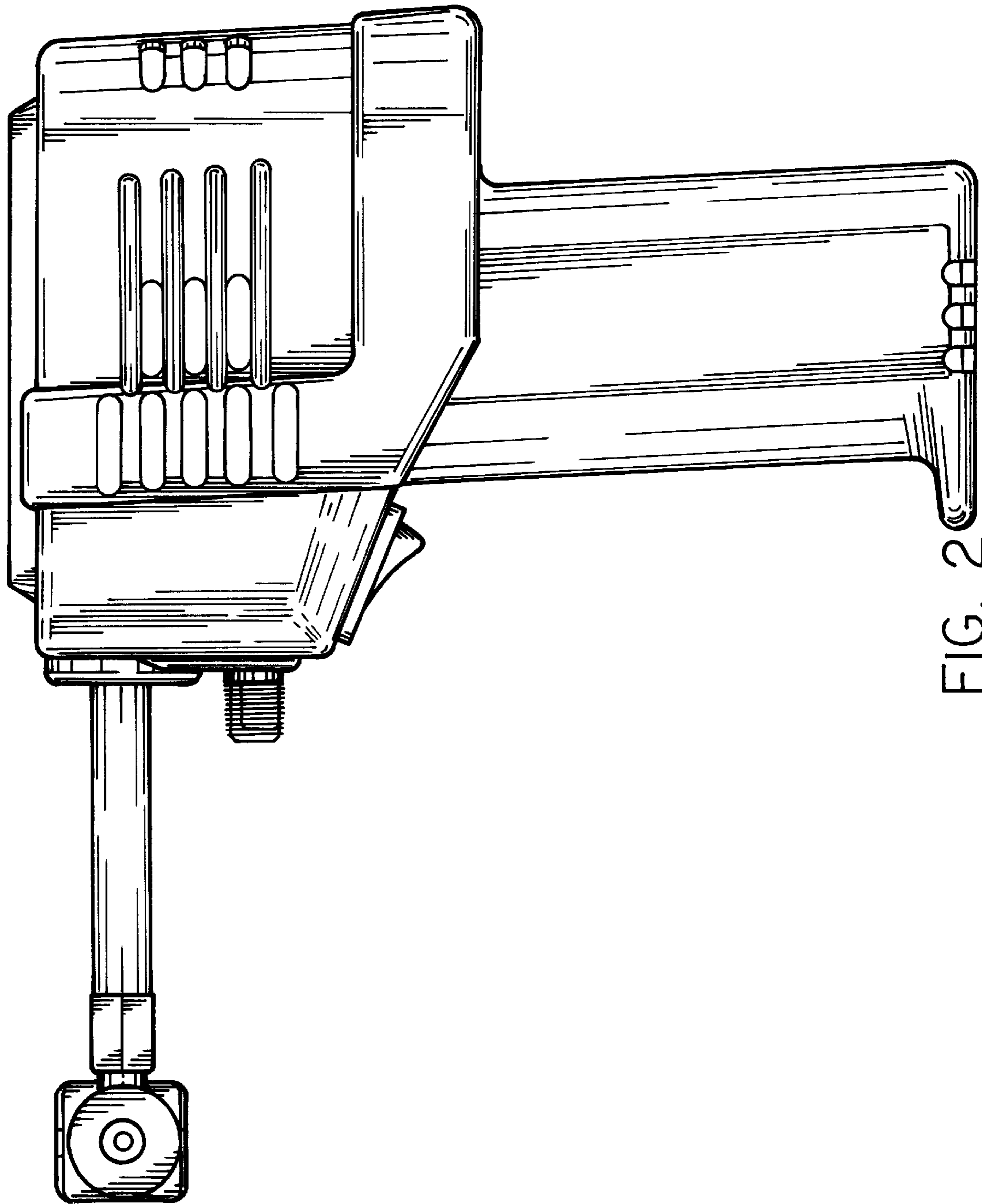


FIG. 2

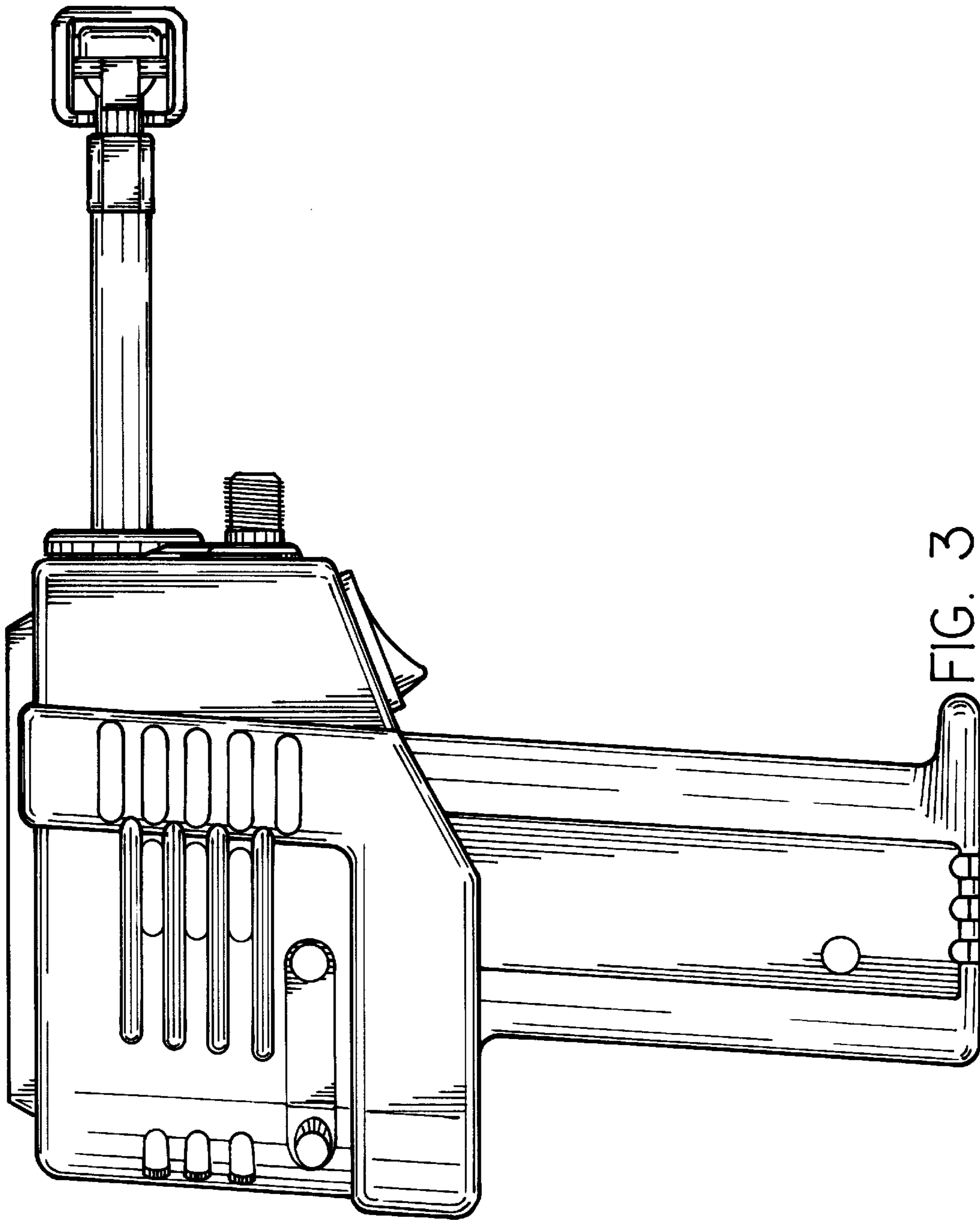


FIG. 3

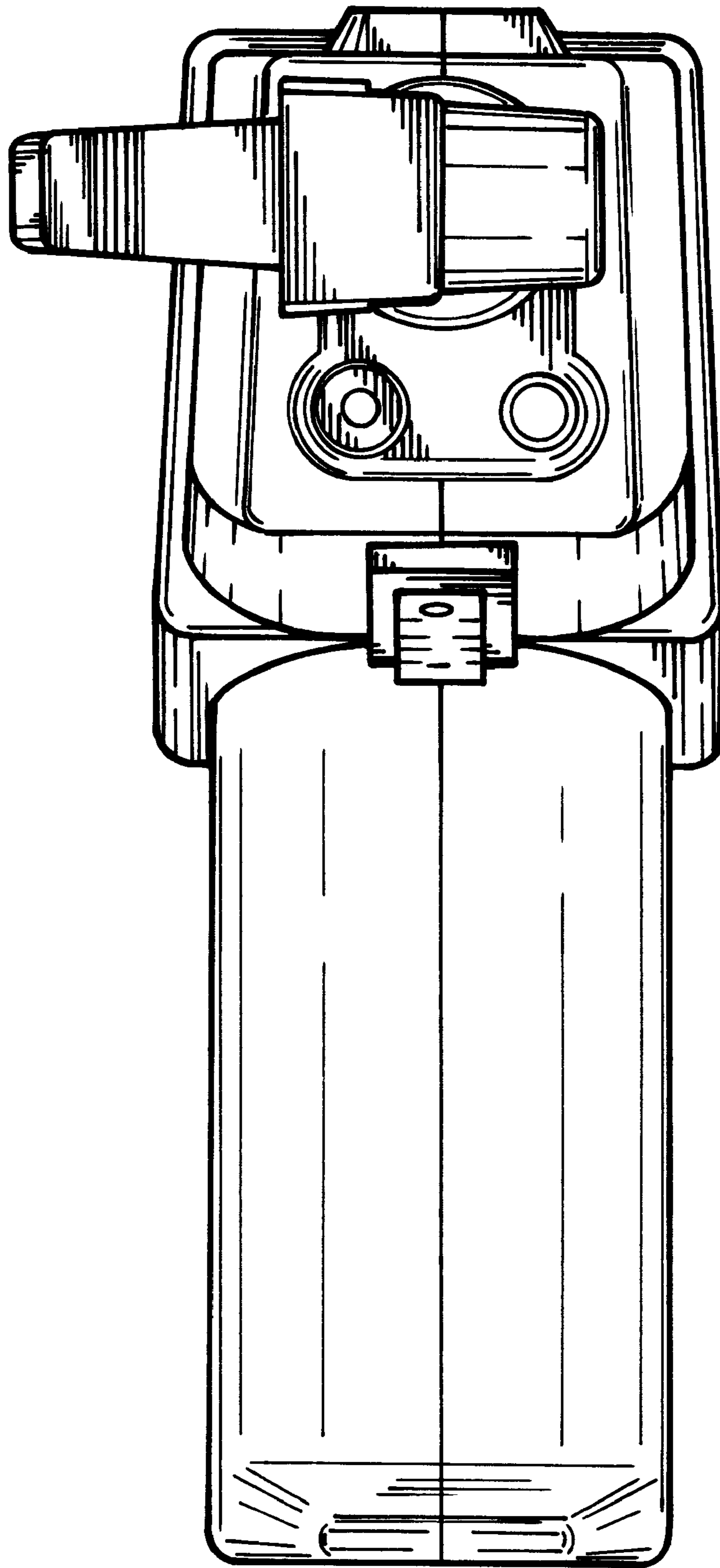


FIG. 4

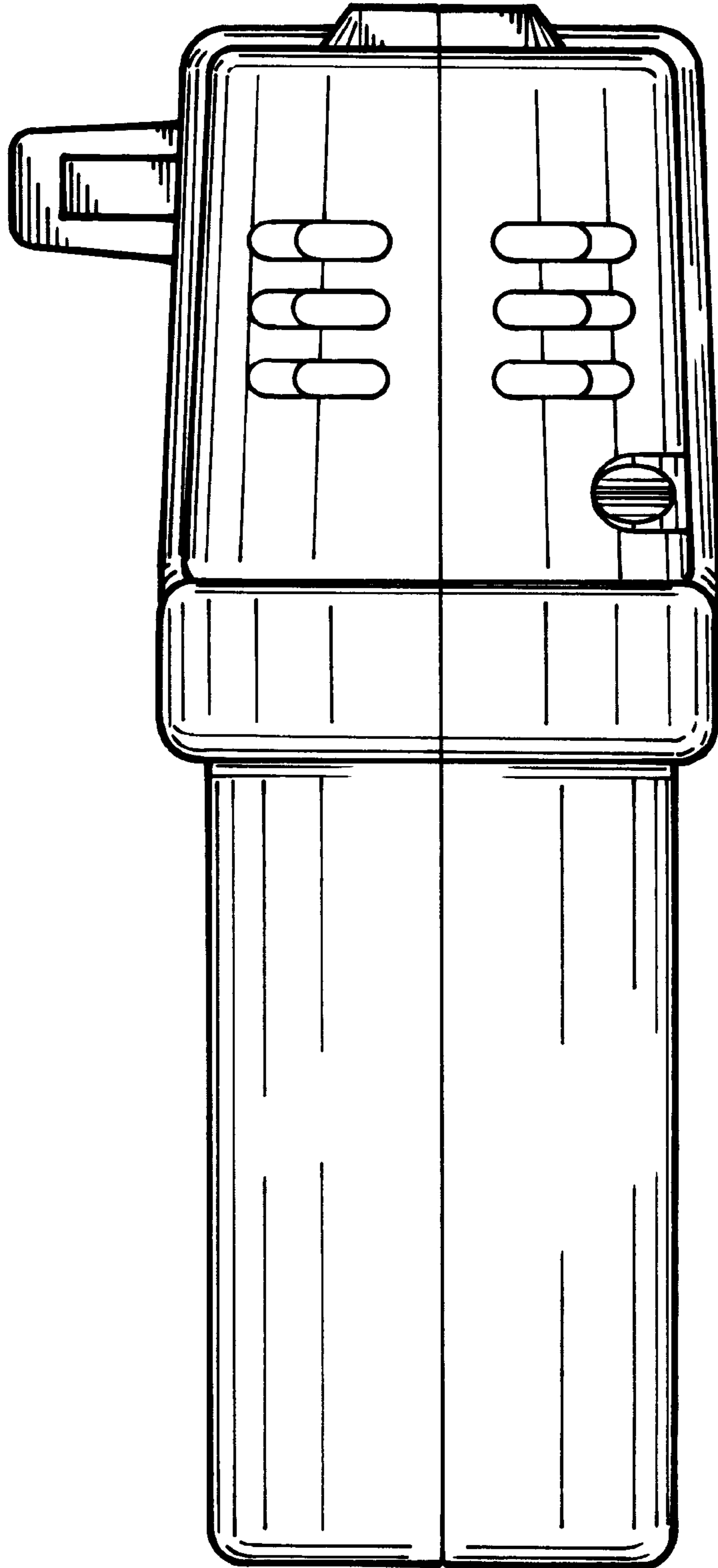


FIG. 5

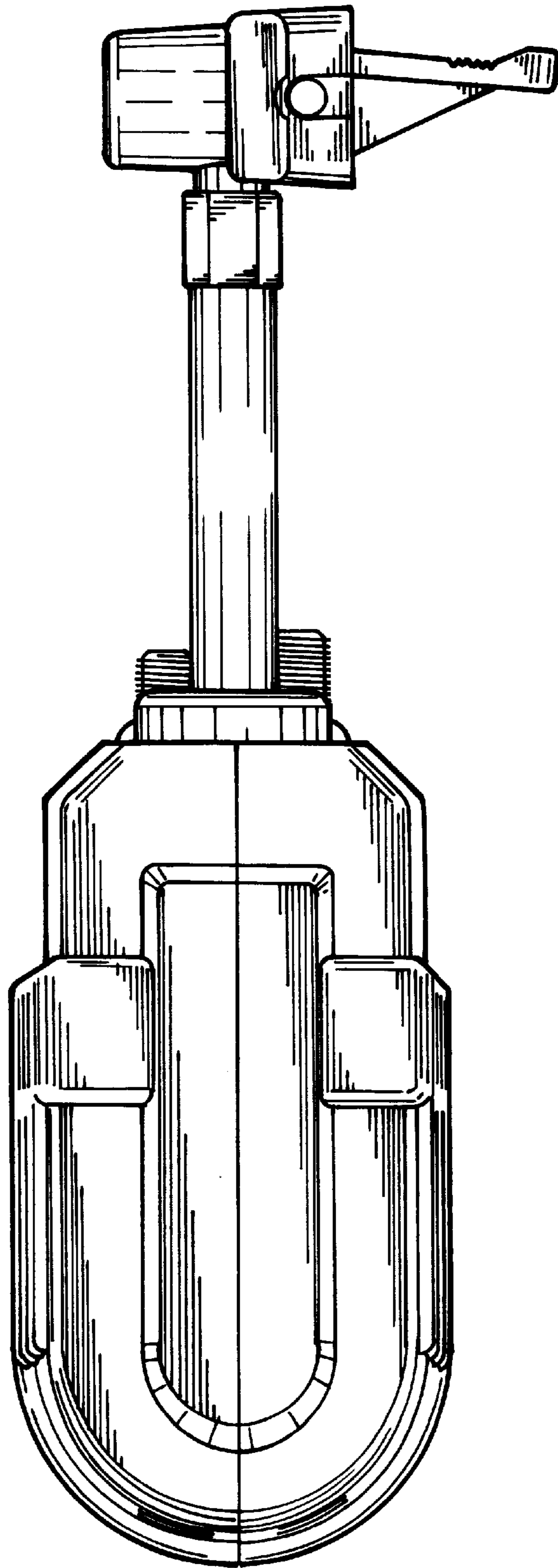


FIG. 6

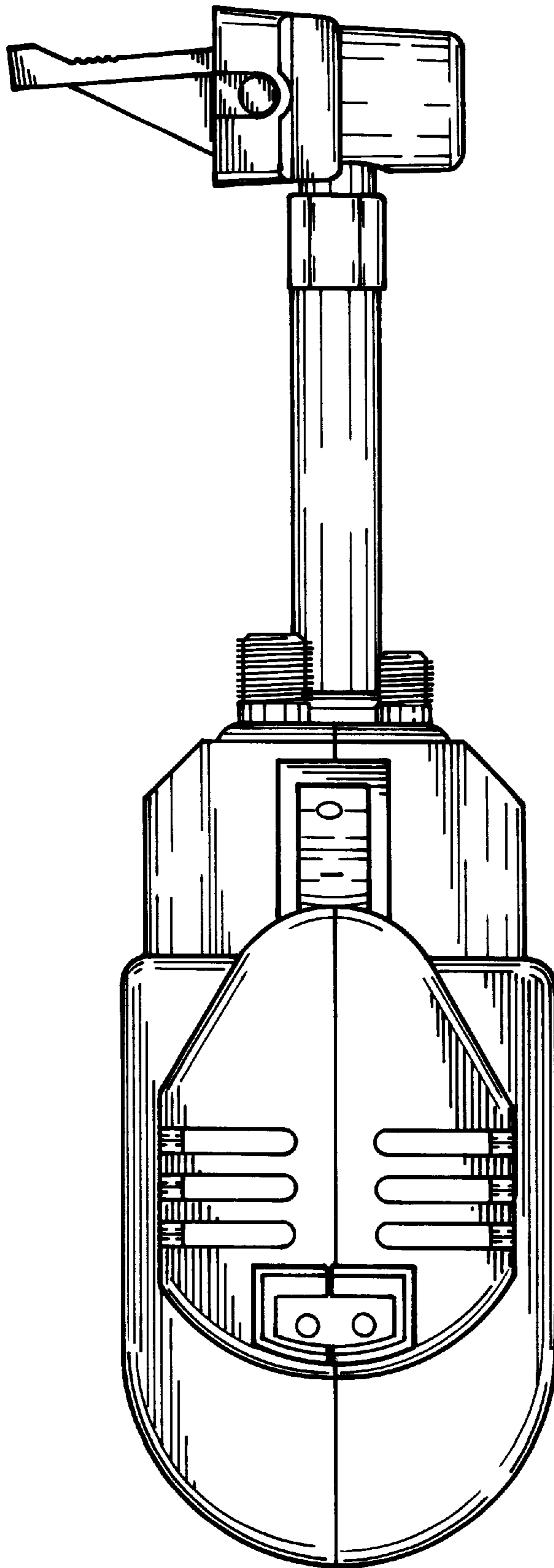


FIG. 7