



US00D421751S

# United States Patent [19] Chan

[11] **Patent Number: Des. 421,751**  
[45] **Date of Patent: \*\* Mar. 21, 2000**

[54] **TELEPHONE**

[75] Inventor: **Raymond Chan**, Woodland Heights,  
The Hong Kong Special Administrative  
Region of the People's Republic of  
China

[73] Assignee: **IDT Communication Technology Ltd.**,  
Kowloon, The Hong Kong Special  
Administrative Region of the People's  
Republic of China

[\*\*] Term: **14 Years**

[21] Appl. No.: **29/104,912**

[22] Filed: **May 12, 1999**

[30] **Foreign Application Priority Data**

Apr. 1, 1999 [HK] The Hong Kong Special Administra-  
tive Region of the People's Republic  
of China ..... 9910383

[51] **LOC (6) Cl.** ..... **14-03**

[52] **U.S. Cl.** ..... **D14/151**

[58] **Field of Search** ..... D14/137, 138,  
D14/144, 148, 147, 149-151, 140-142,  
240, 241; 379/433-436, 419, 420, 424,  
428, 440

[56] **References Cited**

**U.S. PATENT DOCUMENTS**

D. 290,603 6/1987 Offredi ..... D14/151

D. 299,456	1/1989	Kuo .....	D14/151
D. 303,388	9/1989	Mo .....	D14/151
D. 303,389	9/1989	Mo .....	D14/151
D. 304,831	11/1989	Ng .....	D14/140
D. 307,428	4/1990	Pfeifer et al. ....	D14/151
D. 313,995	1/1991	Azeitia Ortiz De Arri .....	D14/151
D. 330,201	10/1992	Preece et al. ....	D14/241 X
D. 332,450	1/1993	Kolinen .....	D14/151
D. 362,001	9/1995	Roegner .....	D14/151
D. 390,563	2/1998	Akatsu et al. ....	D14/151
4,803,723	2/1989	Willis .....	379/433 X

*Primary Examiner*—Jeffrey Asch  
*Attorney, Agent, or Firm*—Leydig, Voit & Mayer, Ltd.

[57] **CLAIM**

The ornamental design for a telephone, as shown and described.

**DESCRIPTION**

FIG. 1 is a top perspective view of a telephone showing my new design;

FIG. 2 is a top plan view thereof;

FIG. 3 is a front elevational view thereof;

FIG. 4 is a right side elevational thereof;

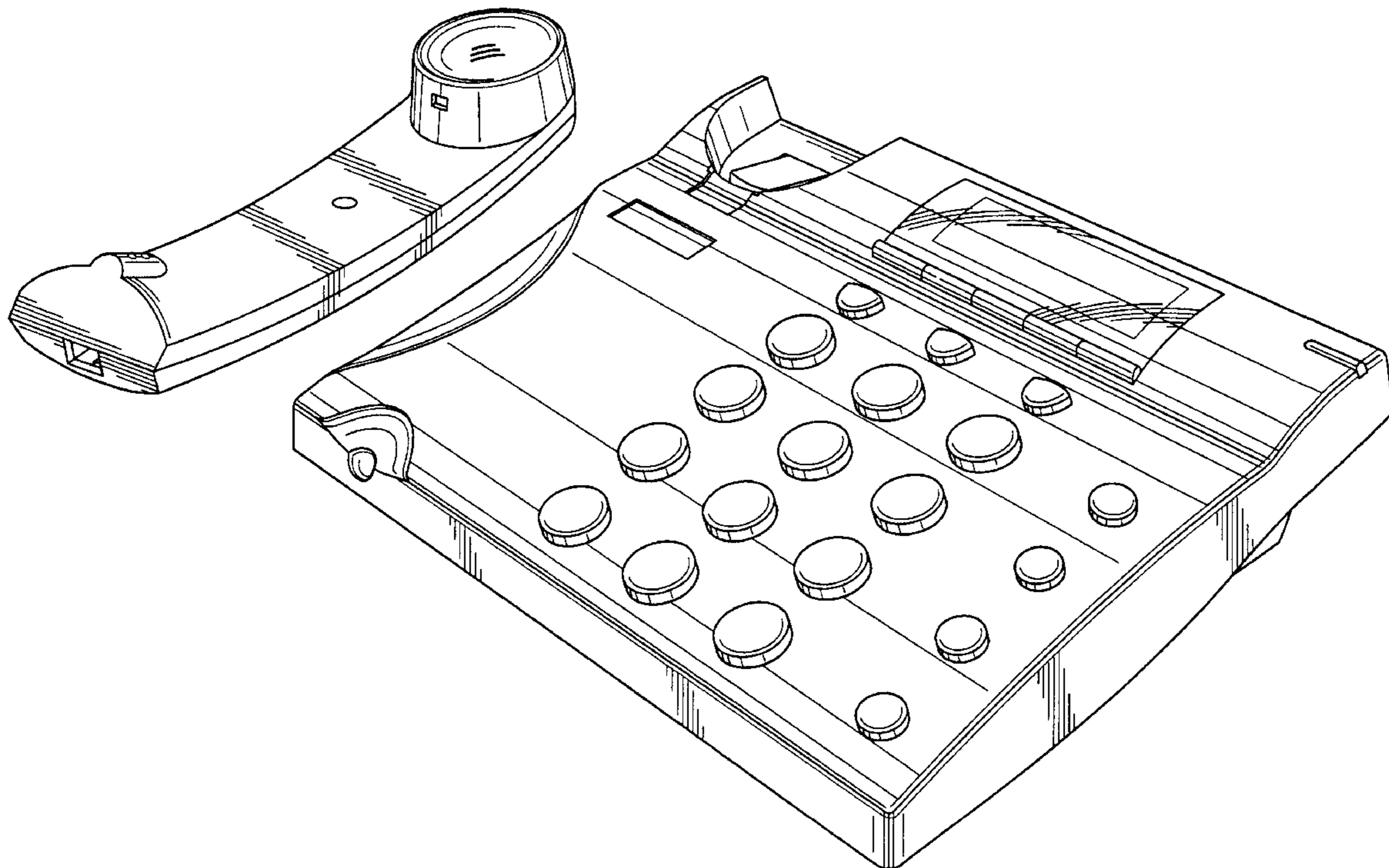
FIG. 5 is a left side elevational thereof;

FIG. 6 is a bottom plan view thereof;

FIG. 7 is a rear elevational view thereof; and,

FIG. 8 is a top perspective view thereof, with a handset shown separated and upside down.

**1 Claim, 5 Drawing Sheets**



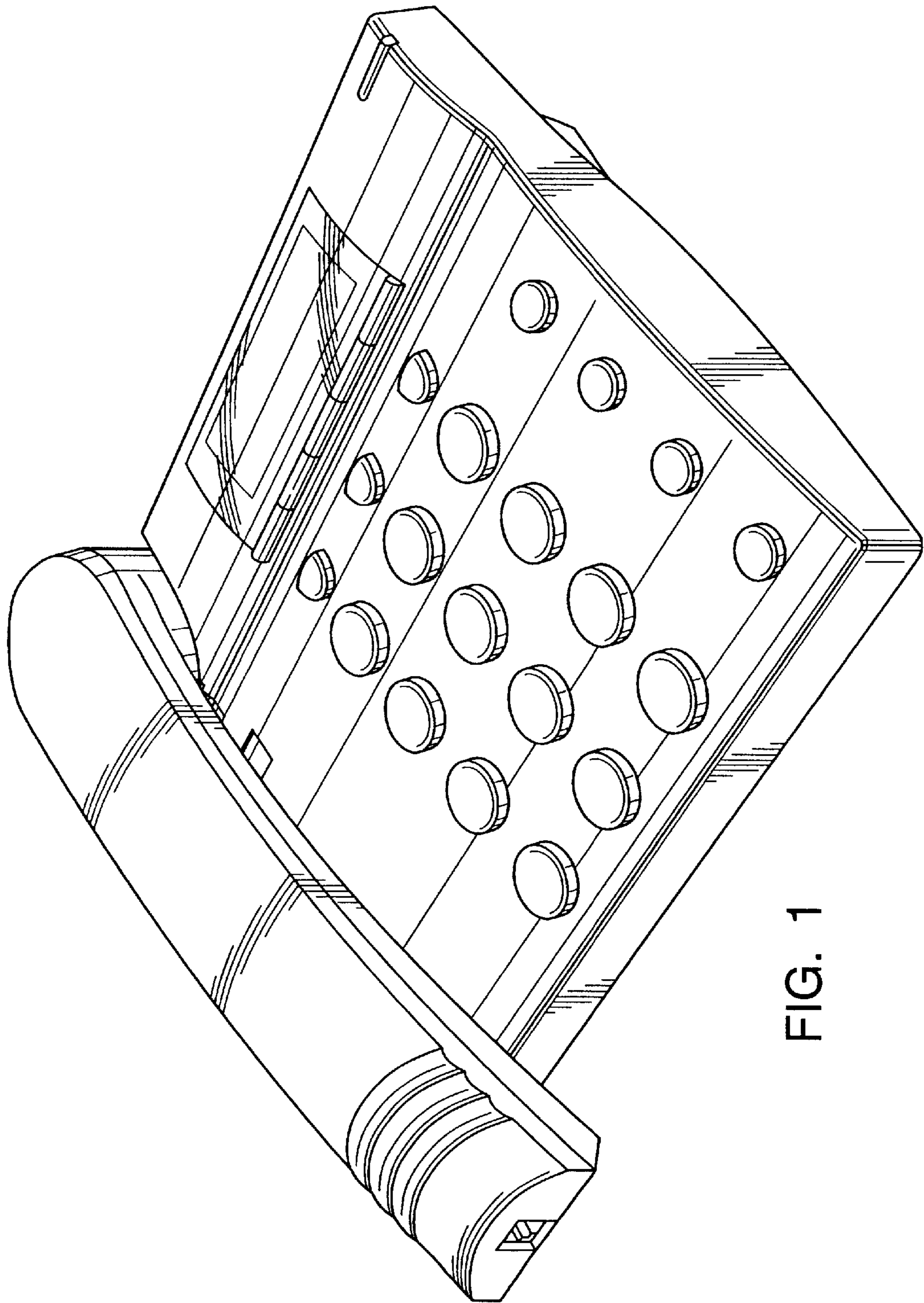


FIG. 1

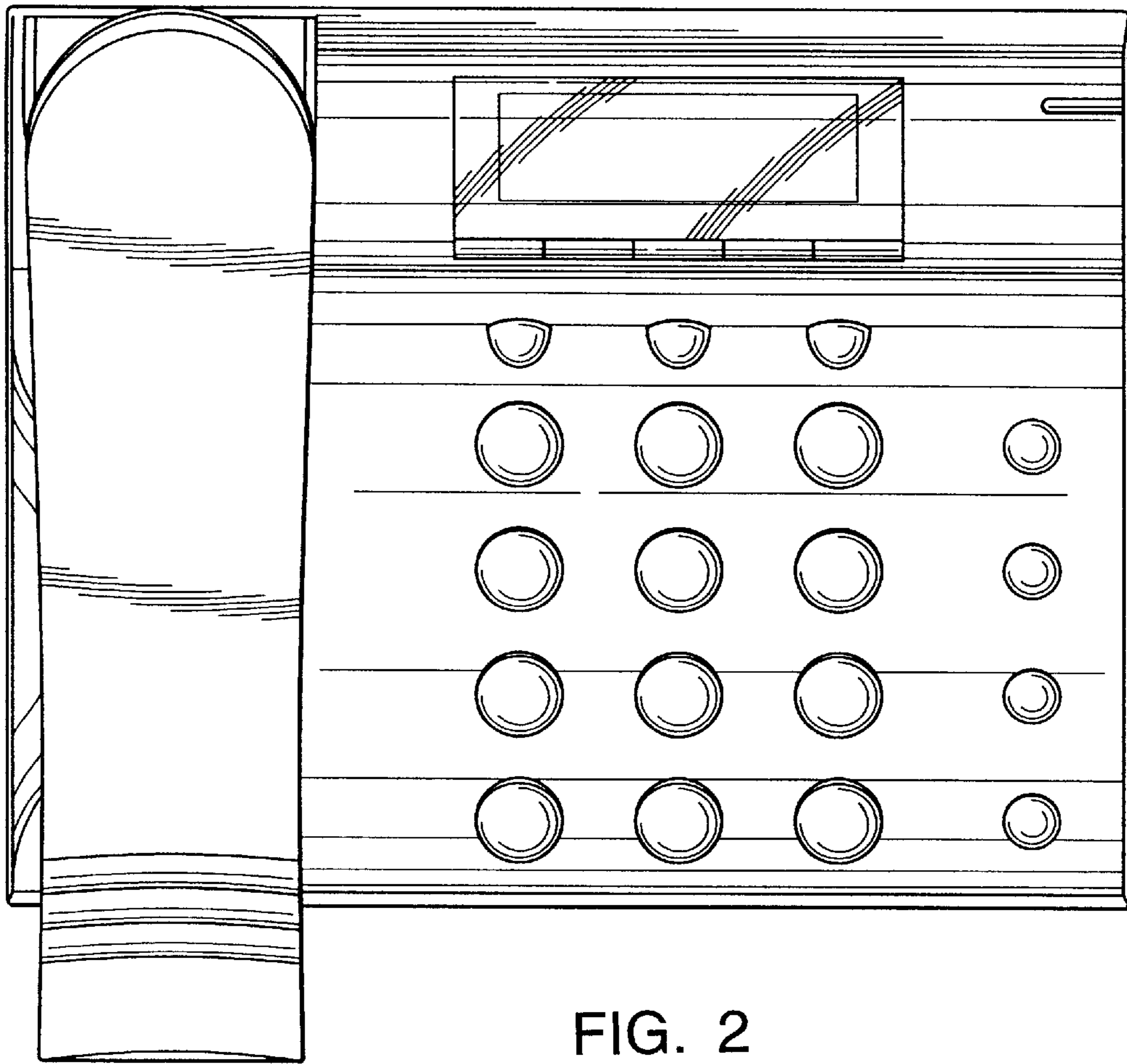


FIG. 2

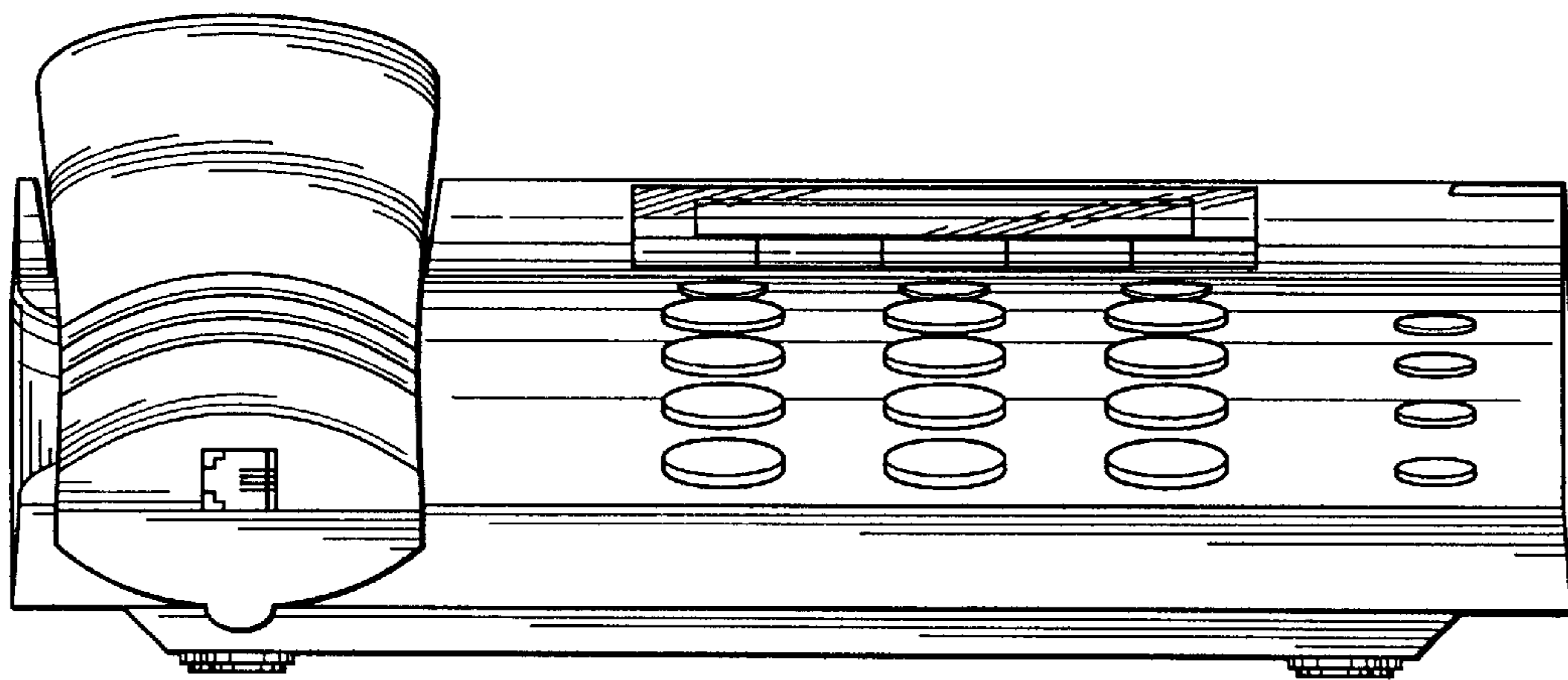


FIG. 3



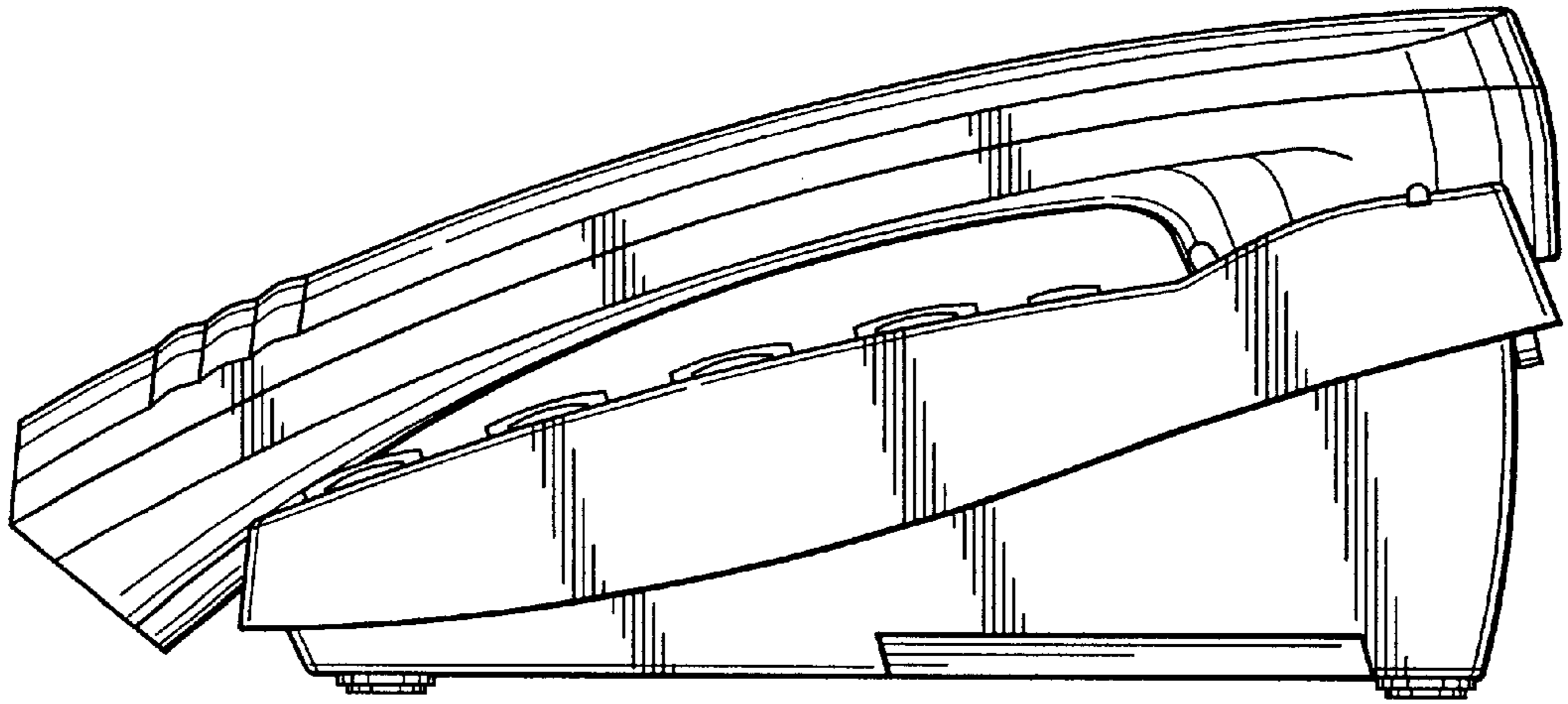


FIG. 4

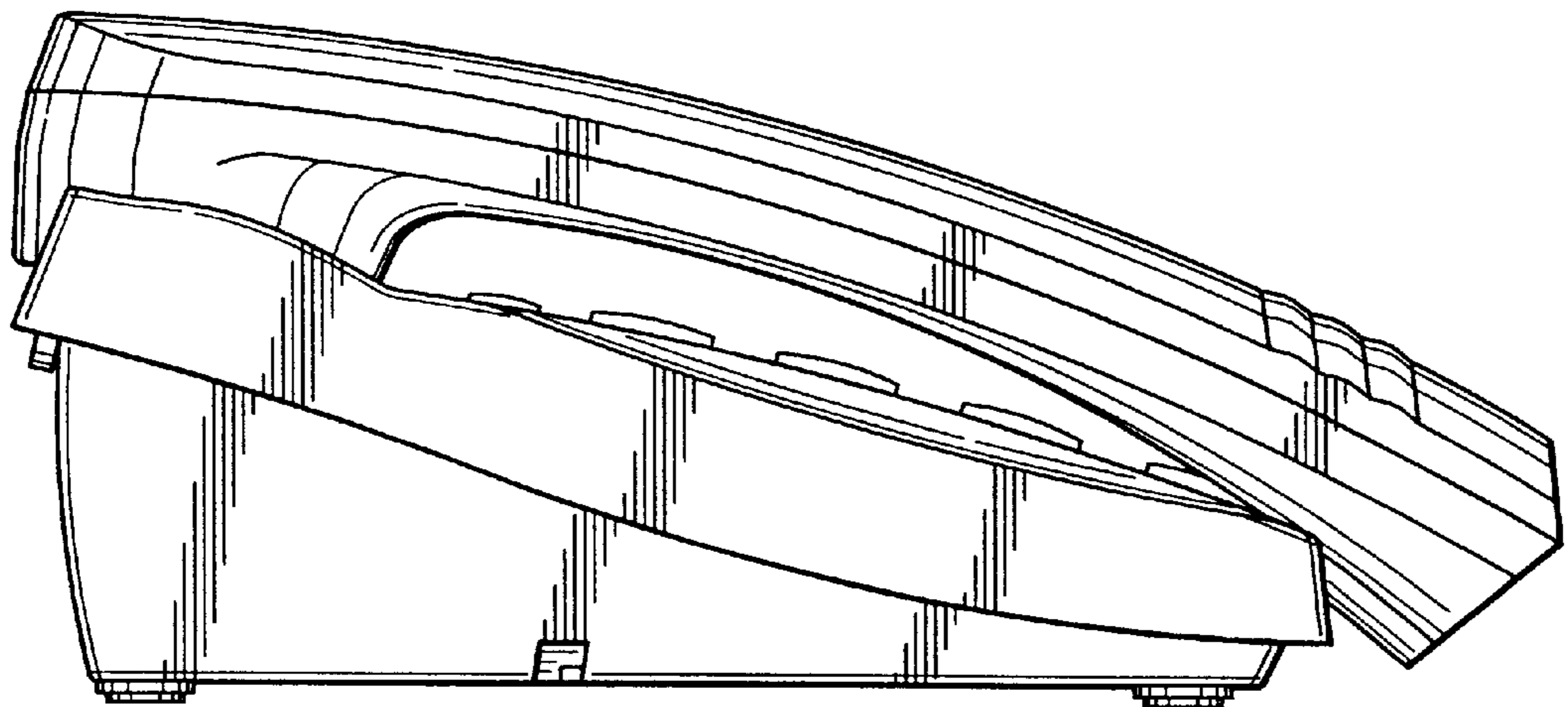


FIG. 5

FIG. 6

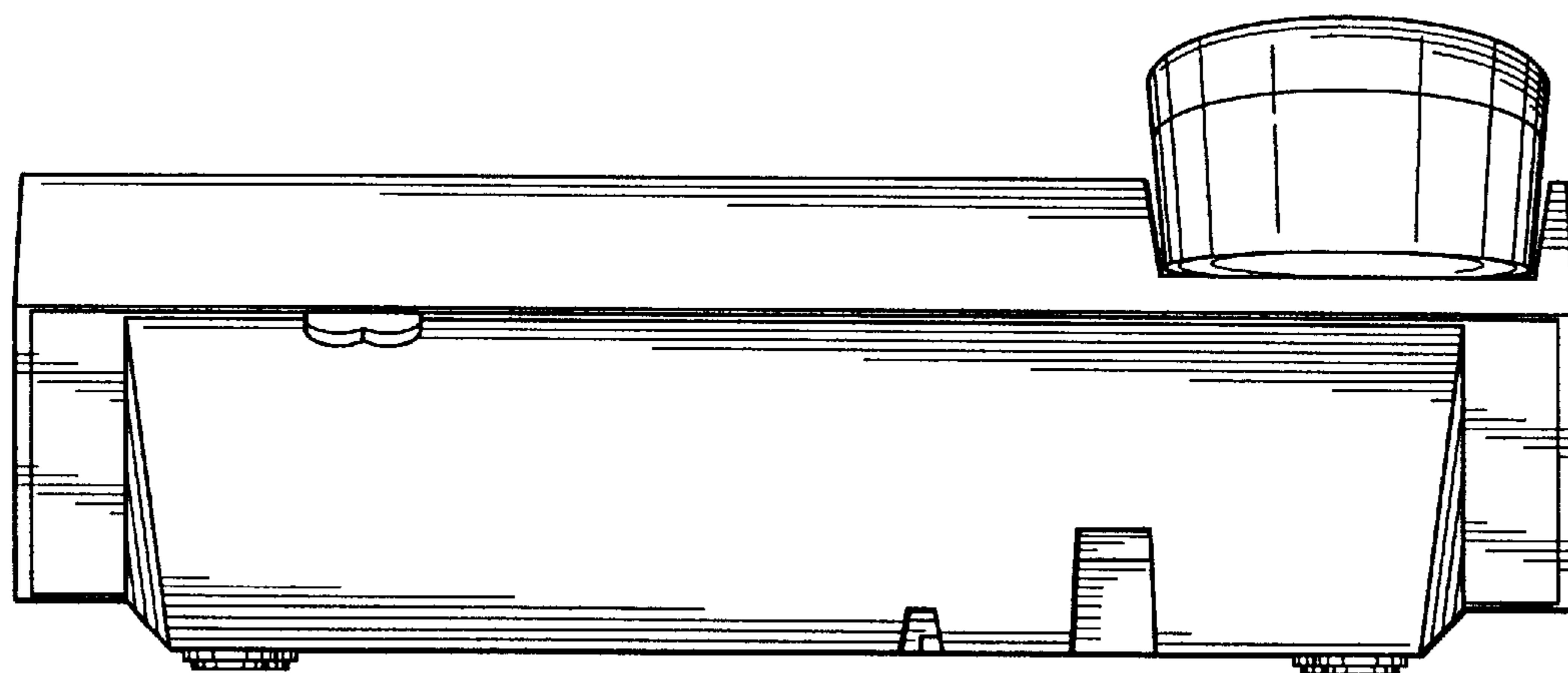
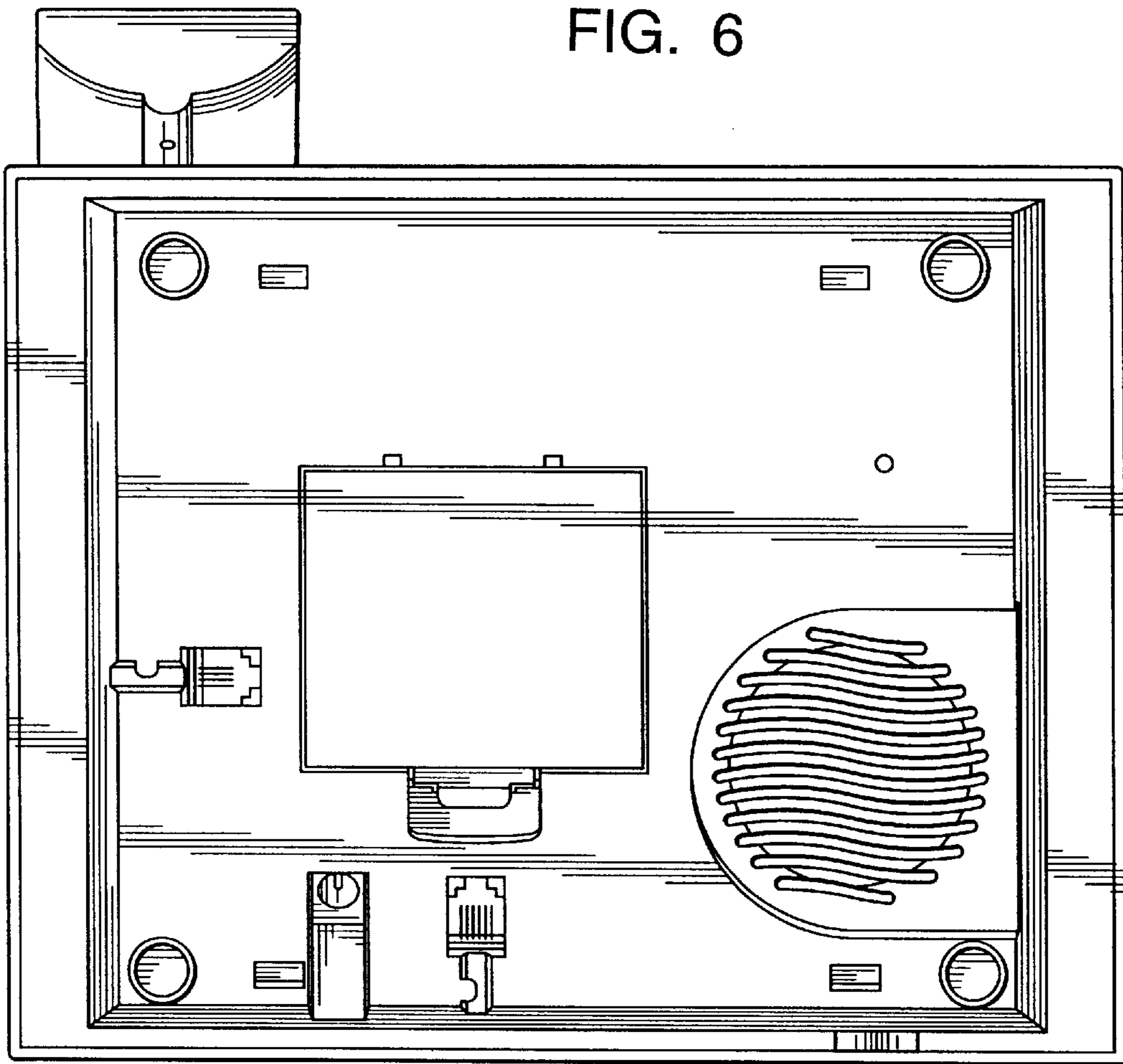


FIG. 7

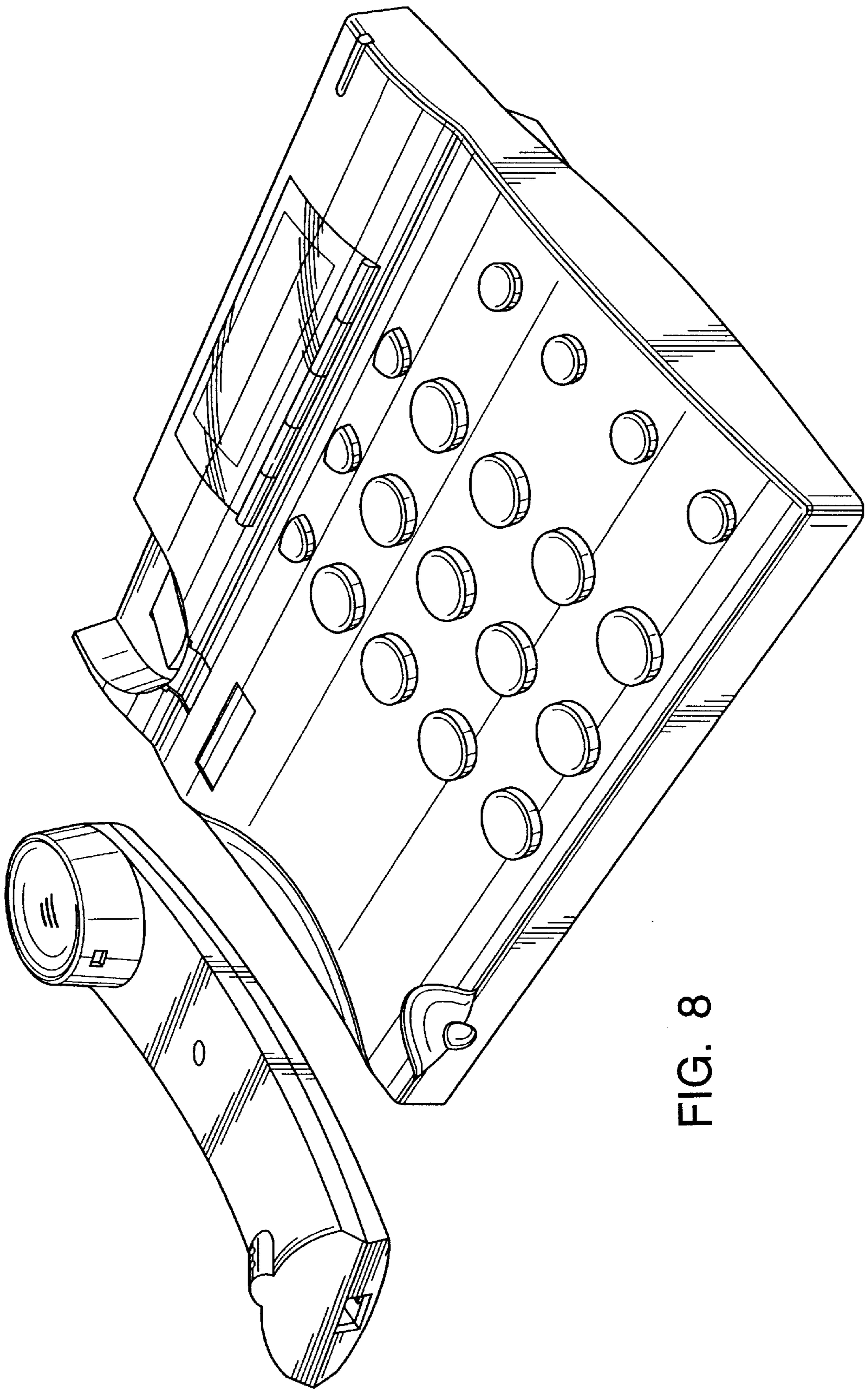


FIG. 8