



US00D421746S

United States Patent [19]

Khovaylo et al.

[11] **Patent Number: Des. 421,746**

[45] **Date of Patent: ** Mar. 21, 2000**

[54] **SCANNER BODY AND SCANNER COVER FRONT END PORTION**

[75] Inventors: **Modest Khovaylo; James C. Dow,**
both of Fort Collins, Colo.

[73] Assignee: **Hewlett-Packard Company,** Palo Alto,
Calif.

[**] Term: **14 Years**

[21] Appl. No.: **29/107,788**

[22] Filed: **Jul. 12, 1999**

Related U.S. Application Data

[62] Division of application No. 29/100,743, Feb. 17, 1999,
which is a division of application No. 29/094,295, Sep. 29,
1998, Pat. No. Des. 410,444, which is a division of appli-
cation No. 29/075,936, Aug. 28, 1997.

[51] **LOC (6) Cl.** **14-02**

[52] **U.S. Cl.** **D14/107**

[58] **Field of Search** D14/100, 105,
D14/107-109, 118; D18/36, 37, 39, 54;
250/556; 235/454, 470, 380, 382, 476,
482; 355/64, 65, 75, 81

[56] **References Cited**

U.S. PATENT DOCUMENTS

D. 318,654 7/1991 Huang D14/107
D. 340,233 10/1993 Takahashi D14/107
D. 410,444 6/1999 Khovaylo et al. D14/107

Primary Examiner—Freda Nunn

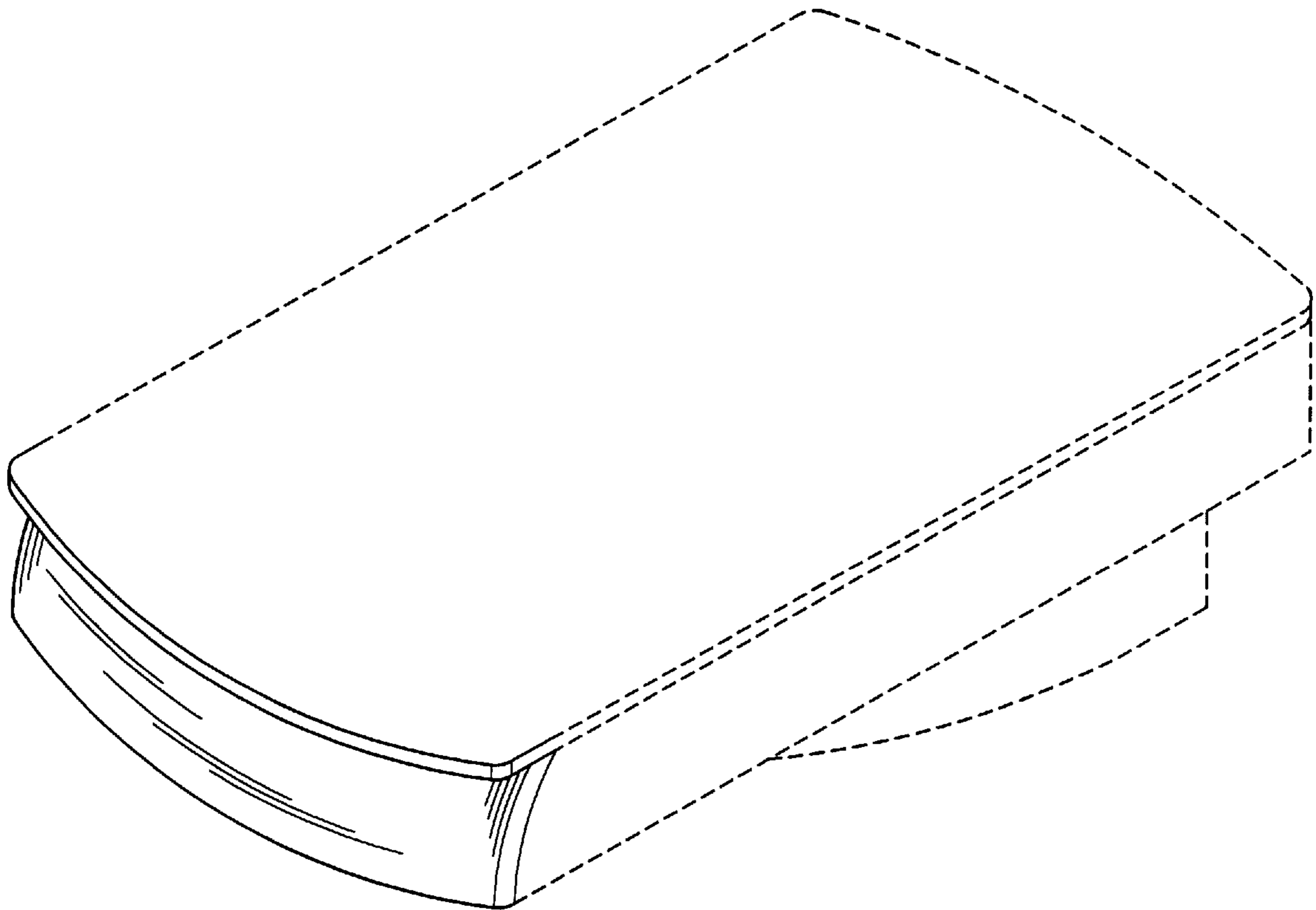
[57] **CLAIM**

The ornamental design for a scanner body and scanner cover front end portion, as shown and described.

DESCRIPTION

FIG. 1 is an isometric view of a scanner body and scanner cover front end portion;
FIG. 2 is a bottom plan view thereof;
FIG. 3 is a top plan view thereof;
FIG. 4 is a top plan view thereof with the cover cut away;
FIG. 5 is a front elevational view thereof;
FIG. 6 is a left side elevational view thereof; and,
FIG. 7 is a right side elevational view thereof.

1 Claim, 4 Drawing Sheets



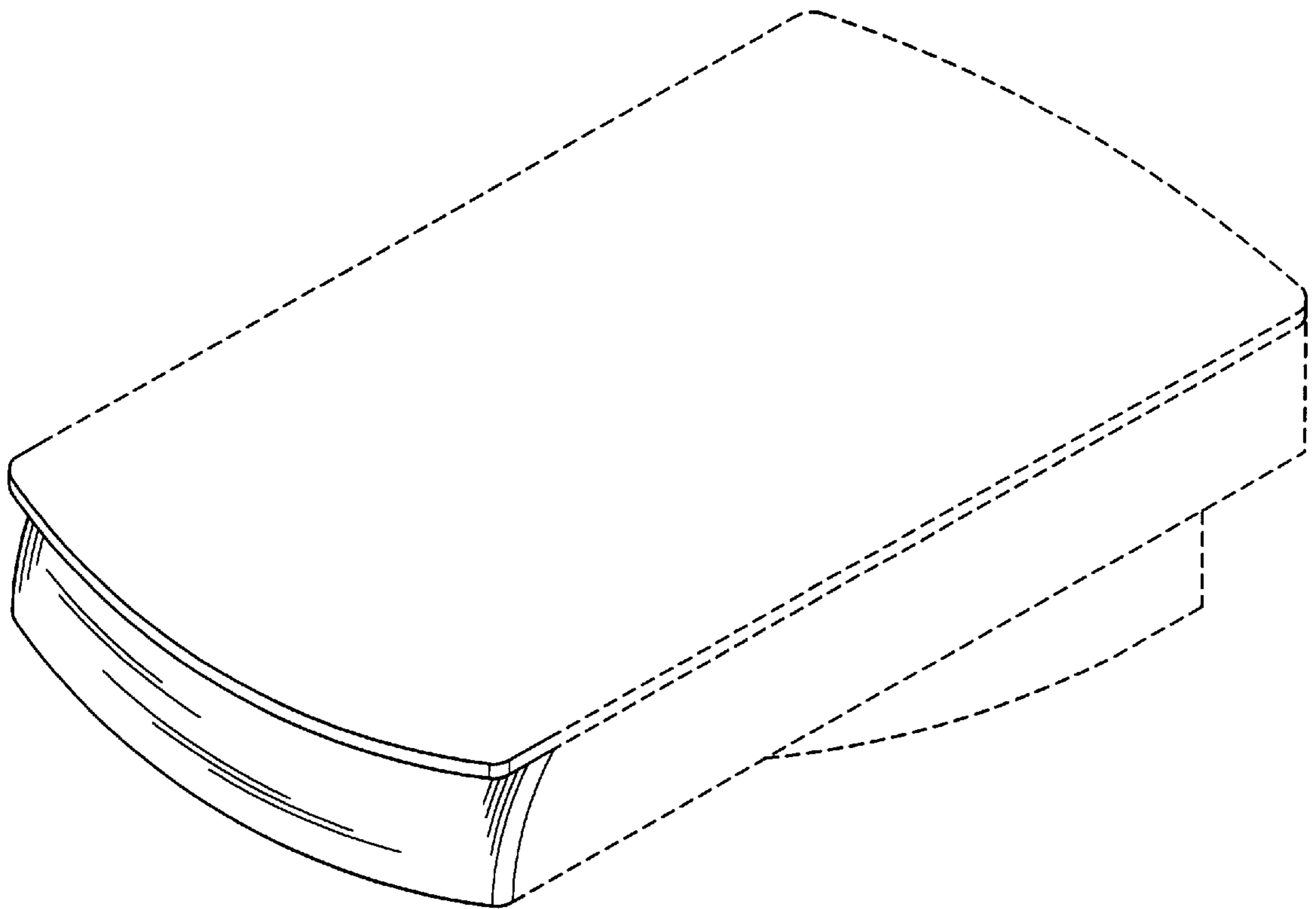


FIG. 1

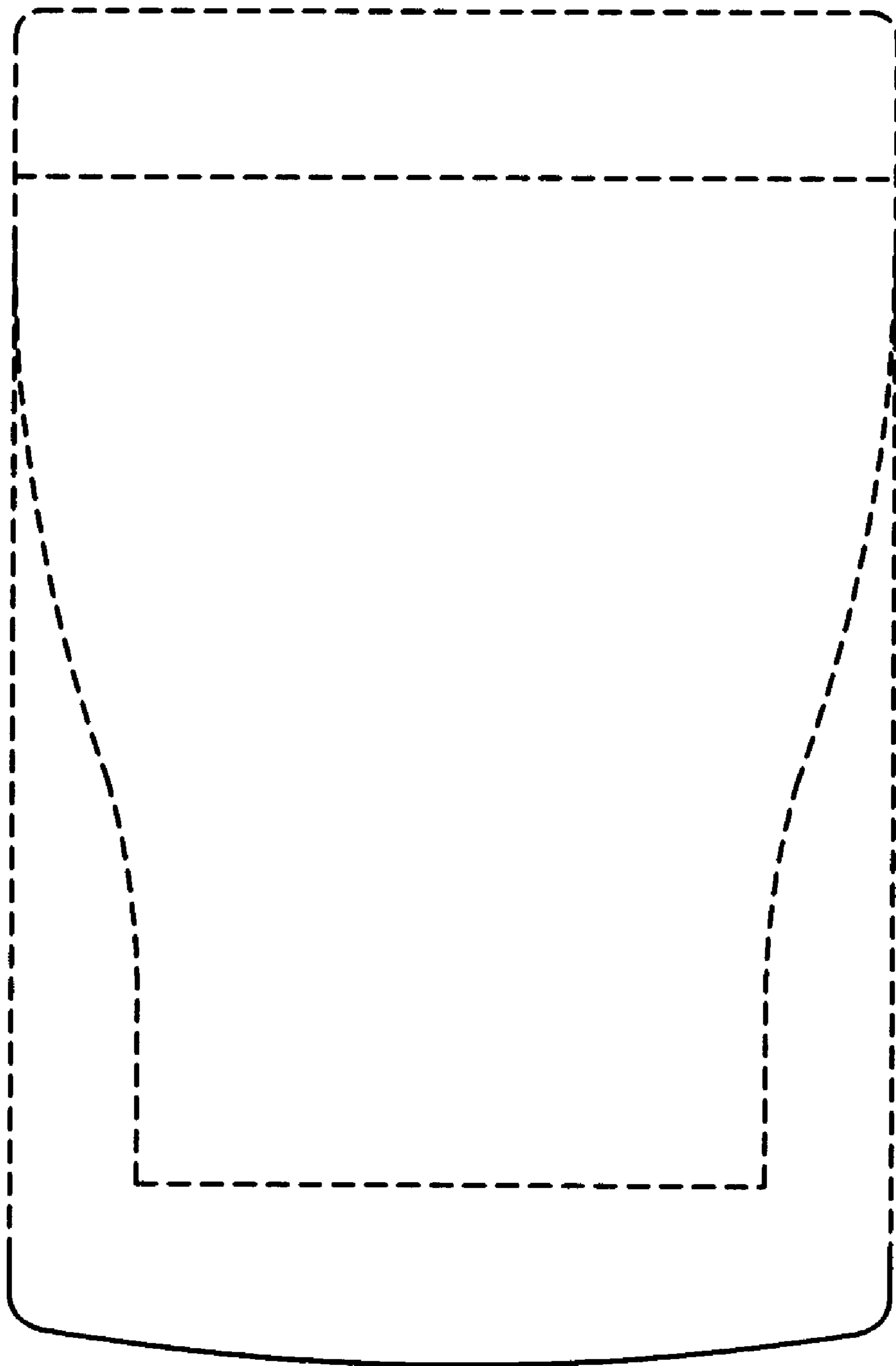


FIG. 2

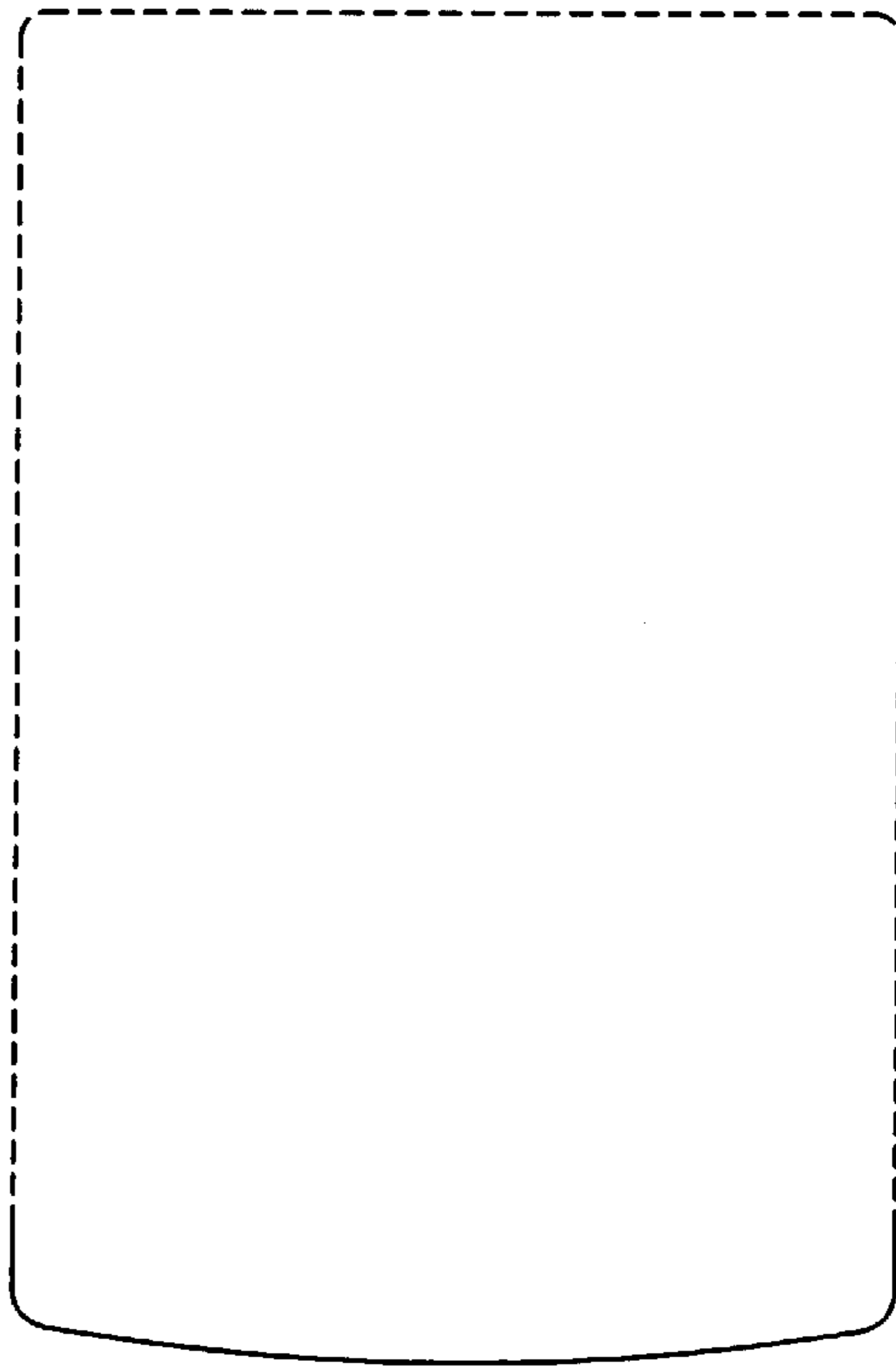


FIG. 3

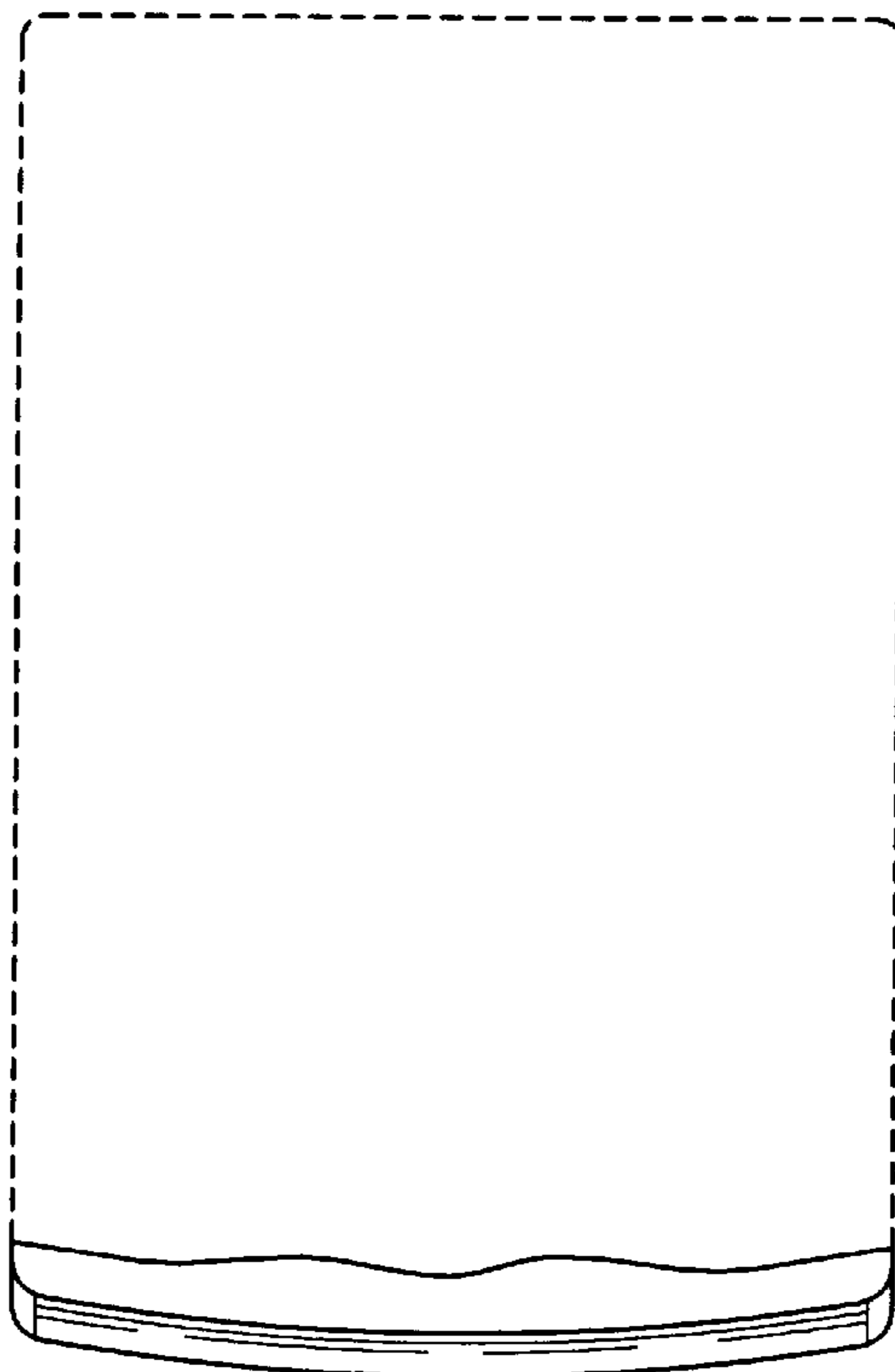


FIG. 4

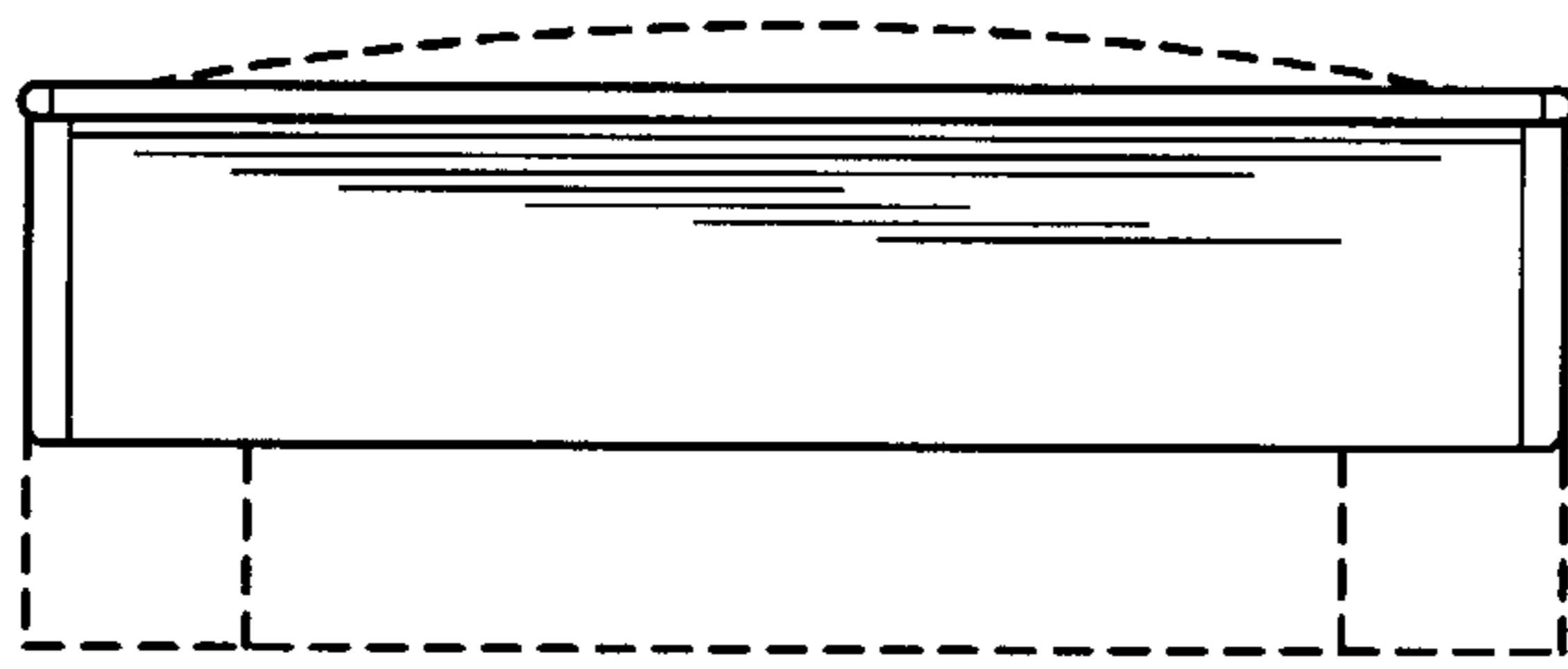


FIG. 5

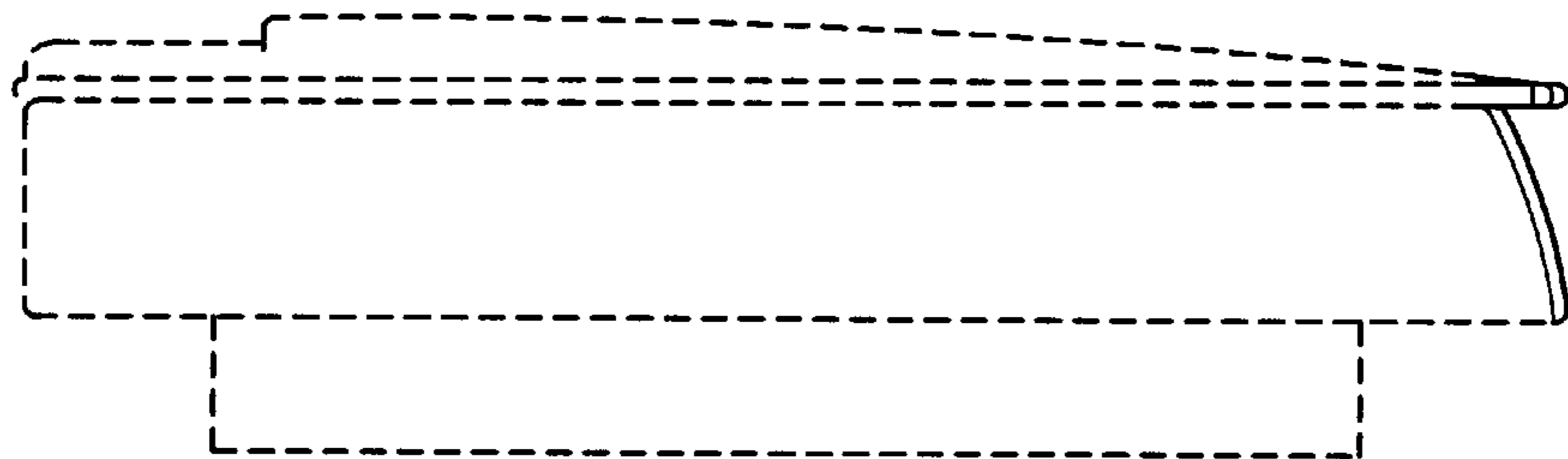


FIG. 6

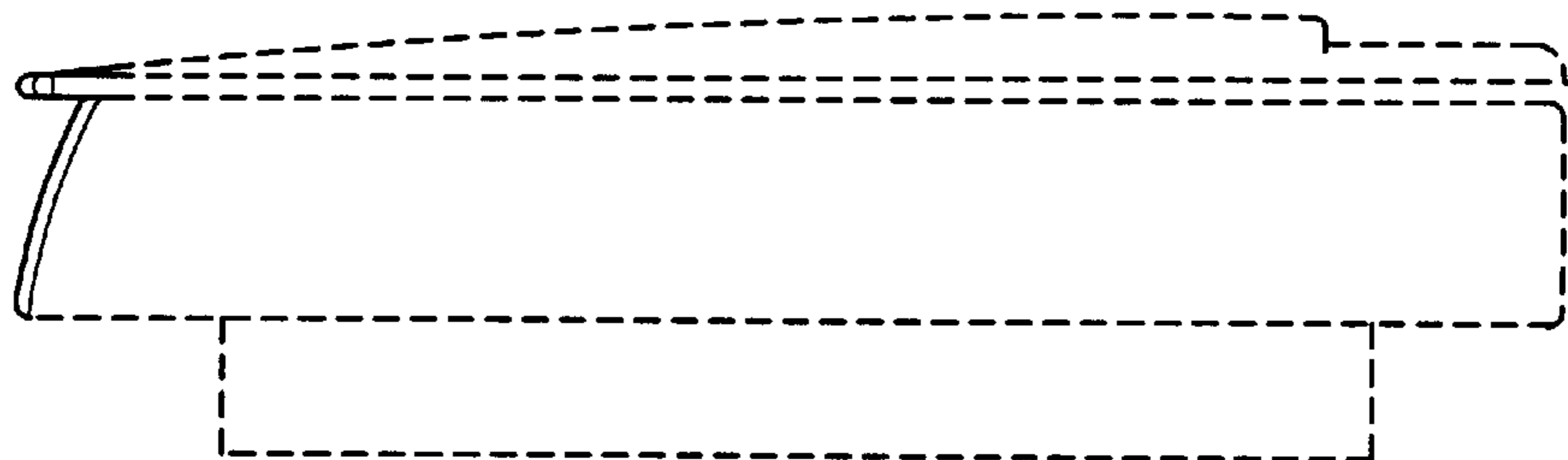


FIG. 7