



US00D421743S

United States Patent [19]

Ueda et al.

[11] Patent Number: Des. 421,743

[45] Date of Patent: ** Mar. 21, 2000

[54] LENS FOR SEMICONDUCTOR ELEMENT

5,880,928 3/1999 Ma D14/106 X

[75] Inventors: **Kazuhiko Ueda; Michio Koyama**, both of Tokyo, Japan

Primary Examiner—Brian N. Vinson
Attorney, Agent, or Firm—Foley & Lardner

[73] Assignee: **Sony Corporation**, Tokyo, Japan

[57] CLAIM

[**] Term: **14 Years**

The ornamental design for a lens for semiconductor element, as shown and described.

[21] Appl. No.: **29/069,058**

DESCRIPTION

[22] Filed: **Mar. 19, 1997**

[51] LOC (6) Cl. **13-03**

[52] U.S. Cl. **D13/182**

[58] Field of Search D13/182; D16/134;
359/642, 808, 809; 348/294; D14/106,
114

FIG. 1 is a perspective view of a first embodiment of a lens for a semiconductor element showing our new design; FIG. 2 is a top plan view thereof, a bottom plan view thereof being a mirror image; FIG. 3 is a left side elevational view thereof, a right side elevational view thereof being a mirror image; FIG. 4 is a front elevational view thereof; FIG. 5 is a rear elevational view thereof; FIG. 6 is a perspective view of a second embodiment of a lens for semiconductor element showing our new design; FIG. 7 is a top plan view of the embodiment of FIG. 6, a bottom plan view of the embodiment of FIG. 6 being a mirror image; and, FIG. 8 is a rear elevational view of the embodiment of FIG. 6. The rest of views of the embodiment of FIG. 6 is the same as those of the embodiment of FIG. 1.

[56] References Cited

U.S. PATENT DOCUMENTS

D. 395,423	6/1998	Koyama et al.	D13/182
D. 395,638	6/1998	Koyama et al.	D13/182
D. 396,696	8/1998	Takagi et al.	D13/182
D. 396,702	4/1998	Ando	D14/106
5,191,480	3/1993	Murray et al.	359/809 X
5,706,140	1/1998	Nishino et al.	359/809 X
5,726,813	3/1998	Kato et al.	359/809

1 Claim, 4 Drawing Sheets

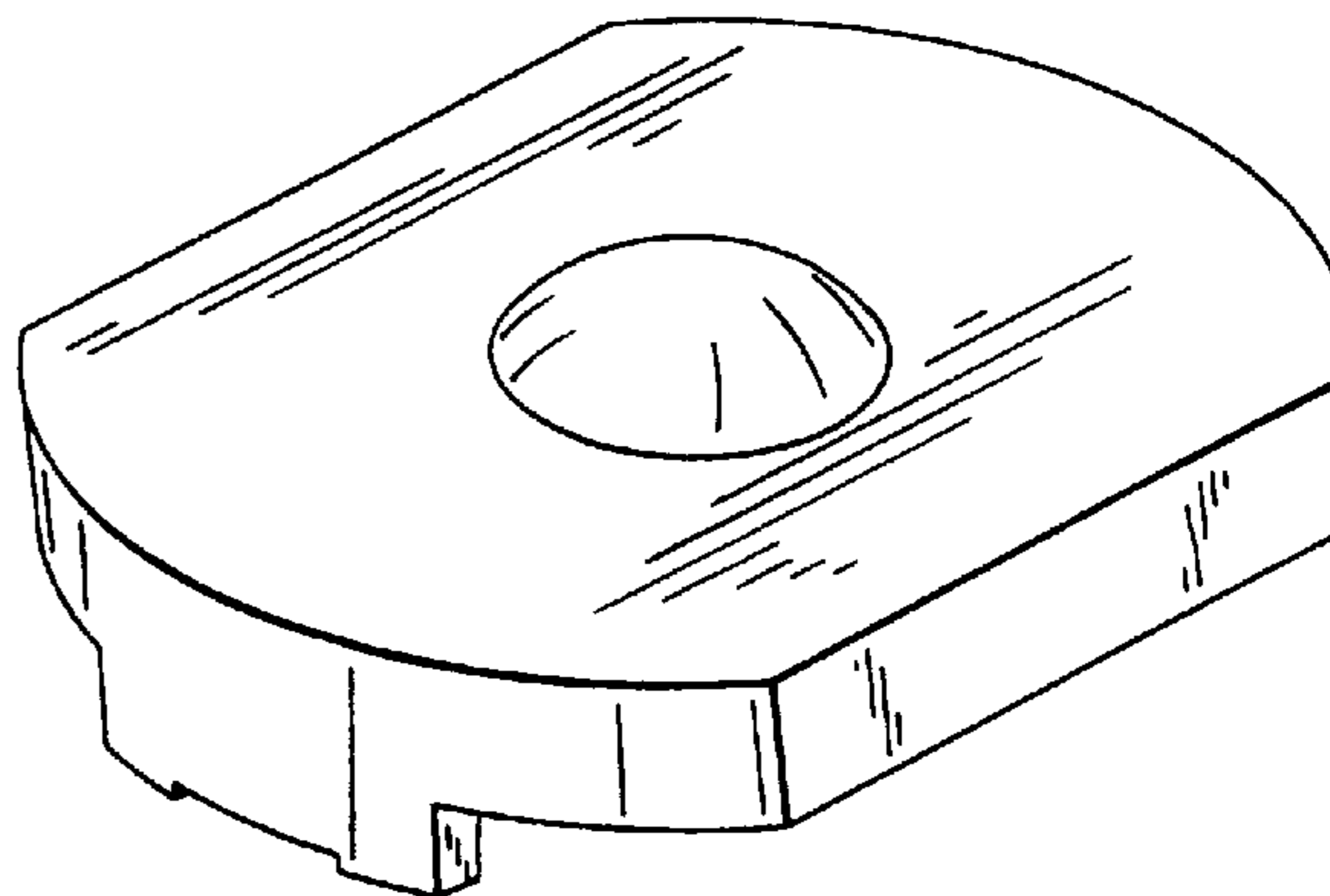
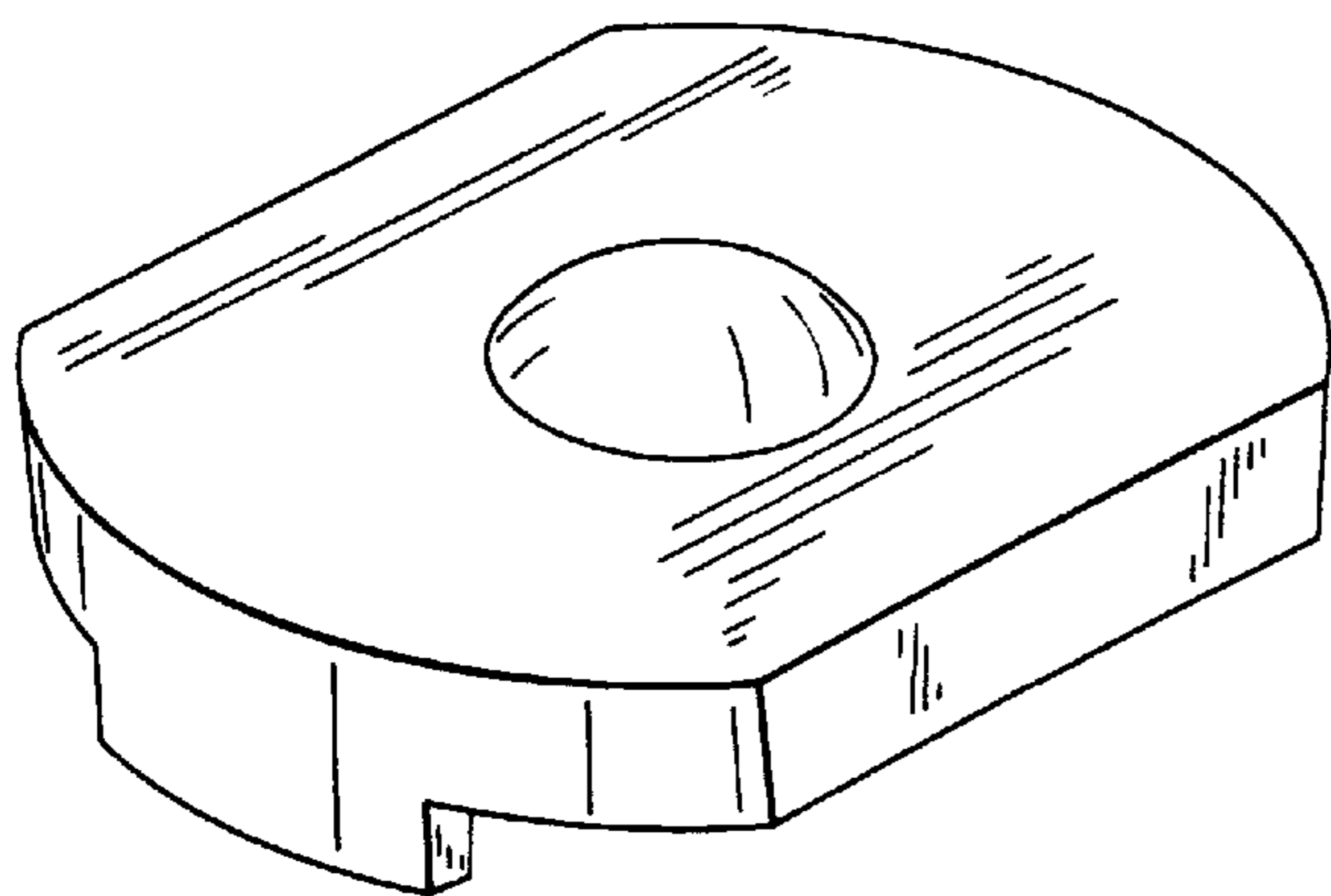


FIG. 1

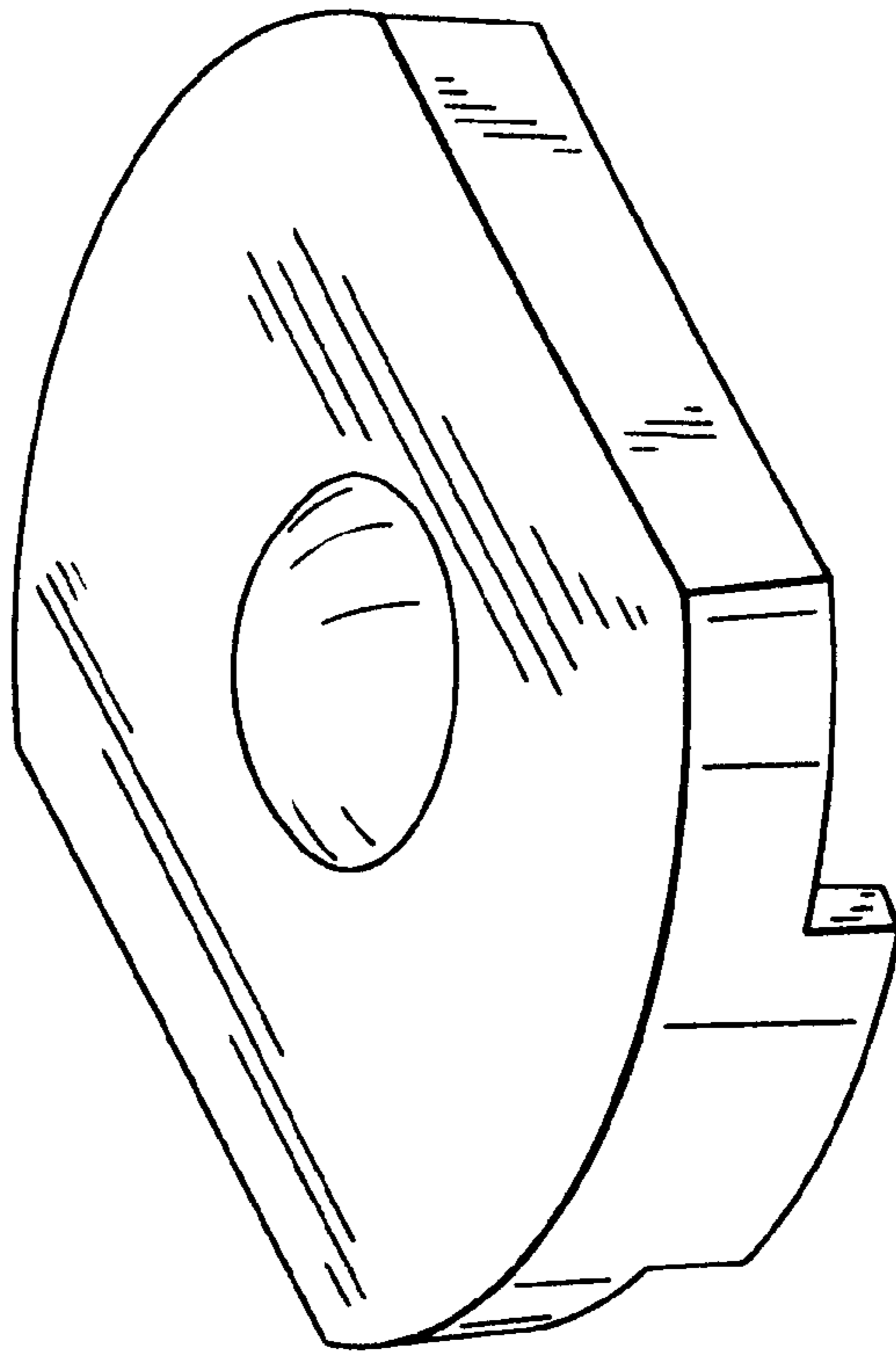


FIG. 2

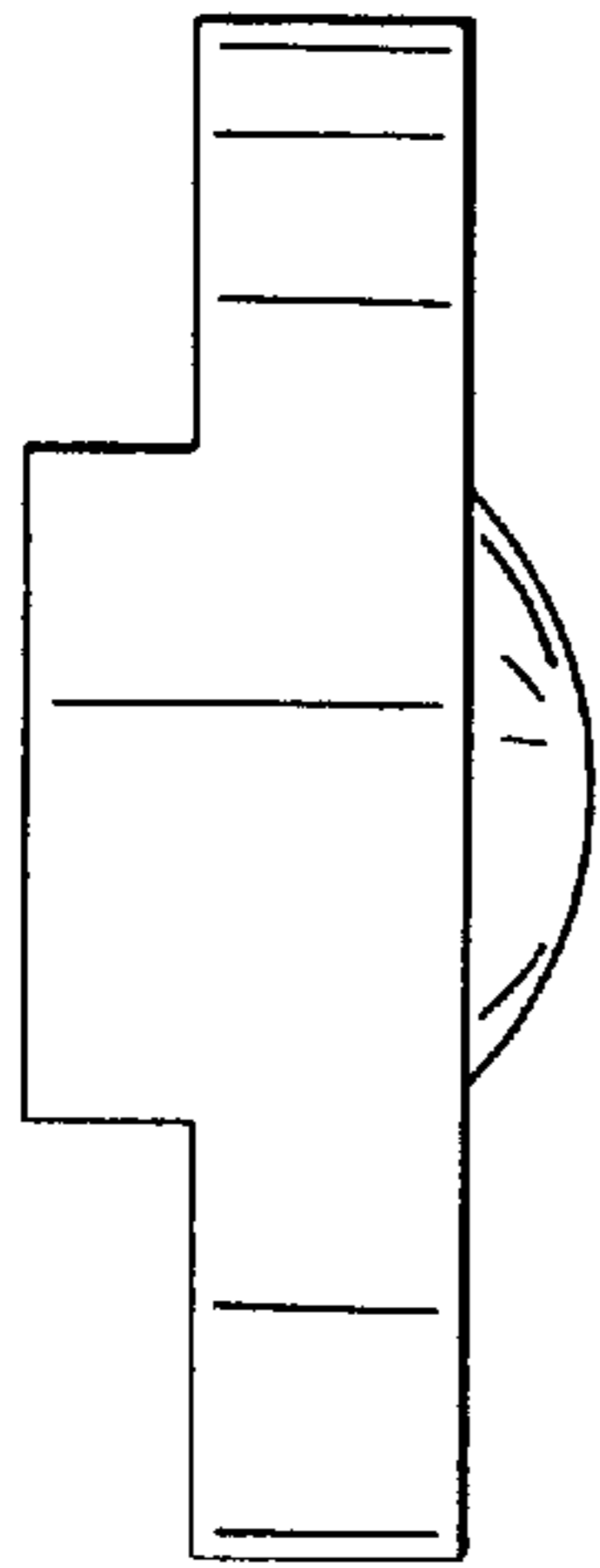


FIG. 4

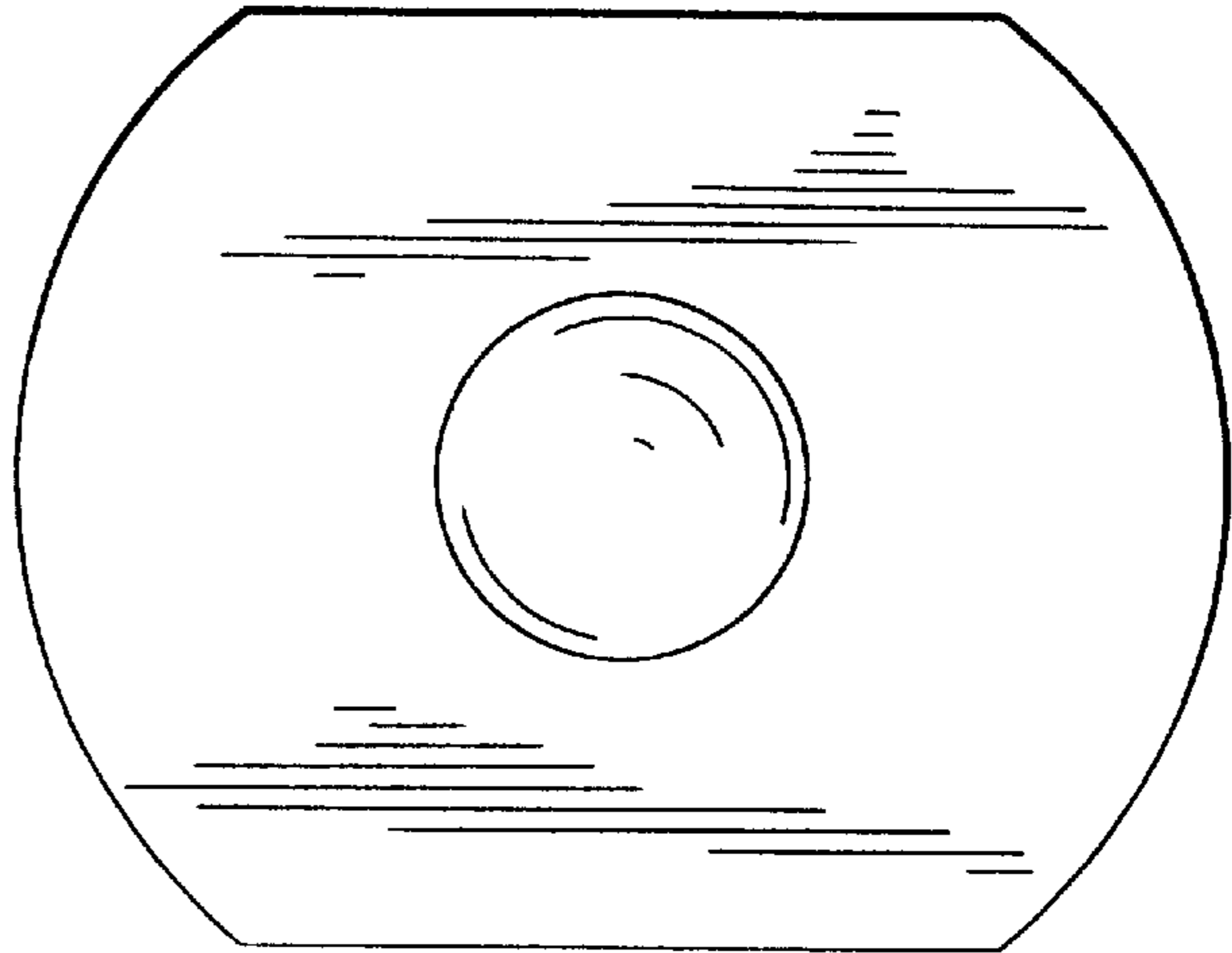


FIG. 3

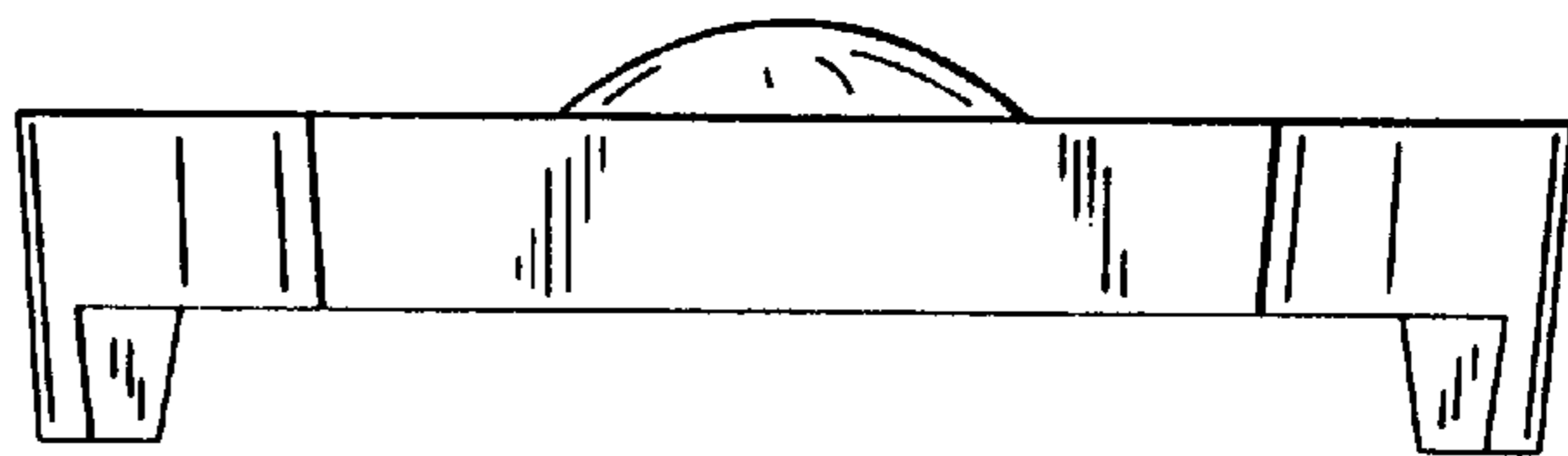


FIG. 5

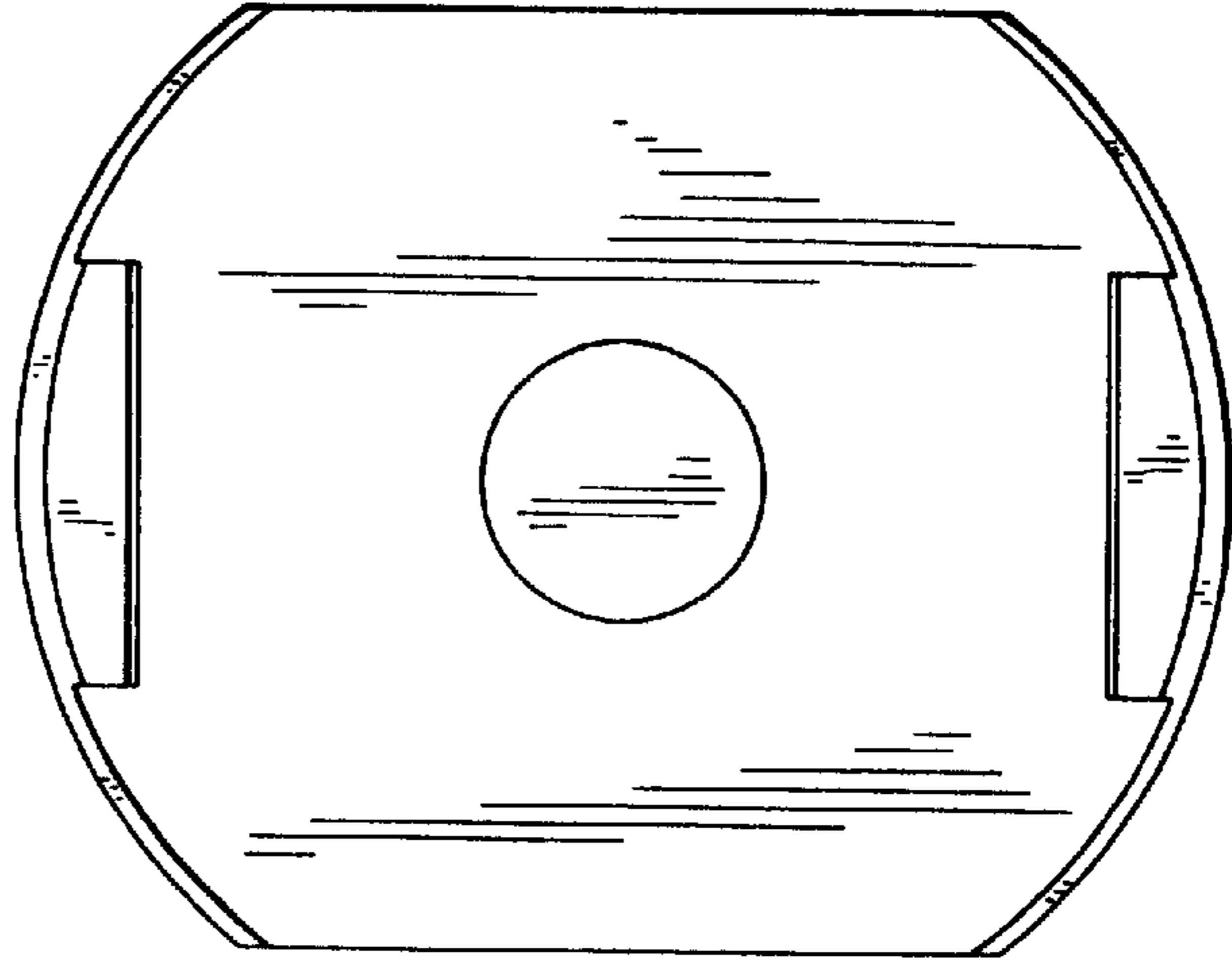


FIG. 6

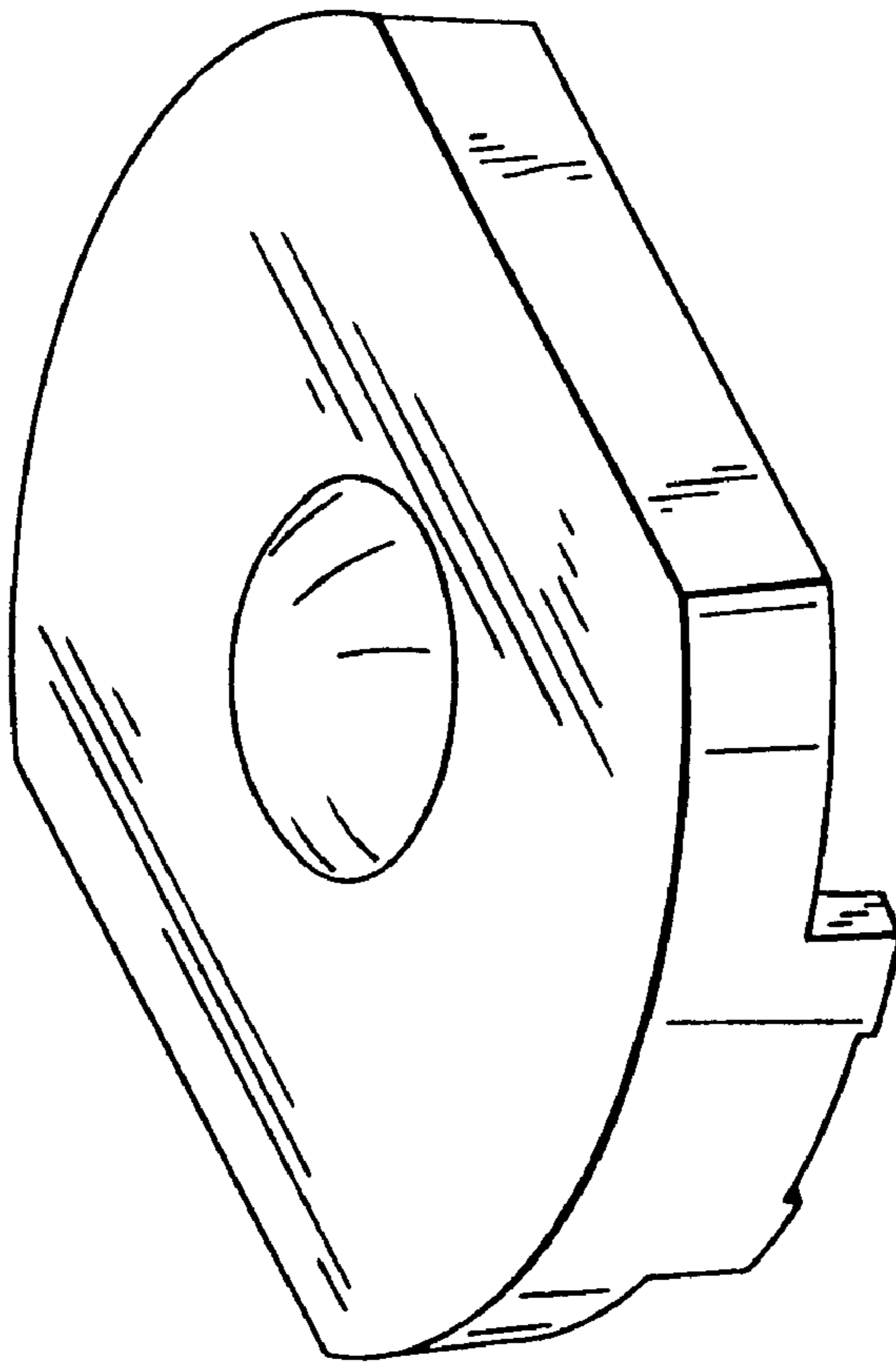


FIG. 7

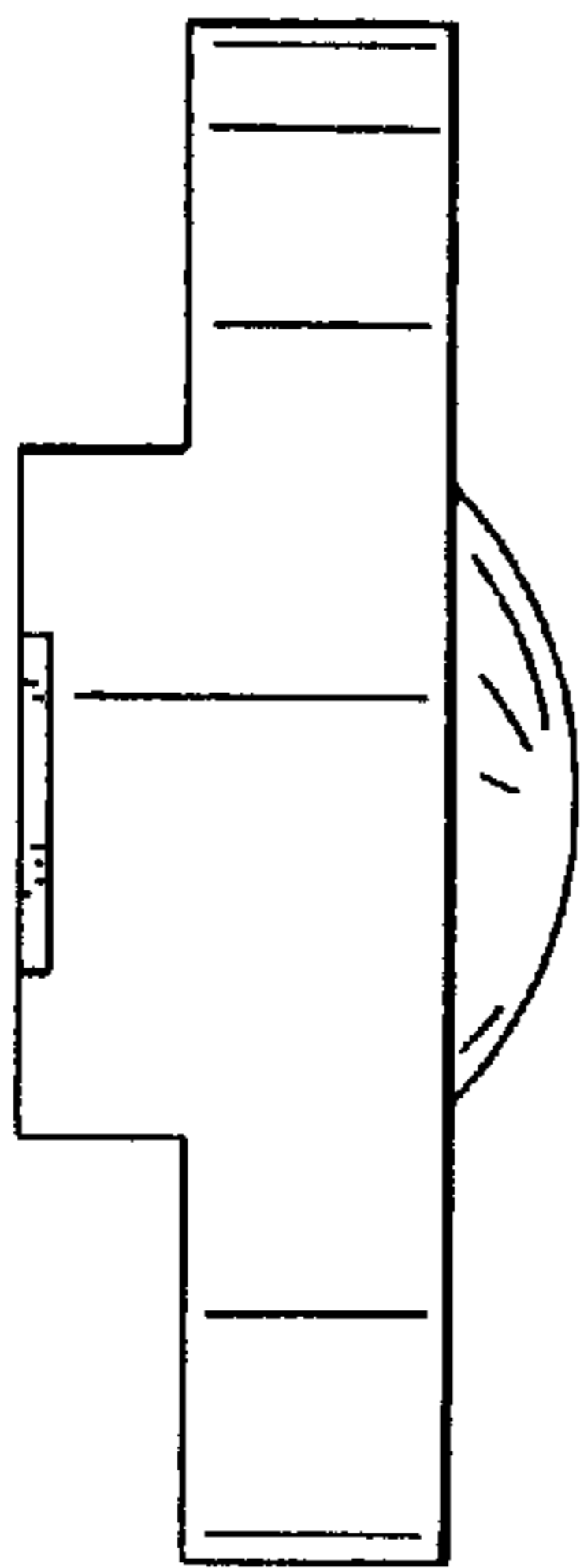


FIG. 8

