



US00D421741S

United States Patent [19] Lien

[11] **Patent Number: Des. 421,741**
[45] **Date of Patent: ** Mar. 21, 2000**

[54] **SURGE PROTECTOR**

[75] Inventor: **Ming Yu Lien**, Hsin Tien, Taiwan

[73] Assignee: **Sysgration Ltd.**, Taipei, Taiwan

[**] Term: **14 Years**

[21] Appl. No.: **29/098,871**

[22] Filed: **Jan. 6, 1999**

[51] **LOC (6) Cl.** **13-03**

[52] **U.S. Cl.** **D13/139.8**

[58] **Field of Search** 439/650, 651,
439/652, 653, 638, 954; 361/56, 118, 119,
111; D13/139.1, 139.2, 139.6, 139.7, 139.8

[56] **References Cited**

U.S. PATENT DOCUMENTS

D. 354,731 1/1995 Lee D13/139.8
D. 399,824 10/1998 Heung et al. D13/139.6
D. 412,488 9/1999 Lien D13/139.8

Primary Examiner—Susan J. Lucas
Assistant Examiner—Jennifer Rivard
Attorney, Agent, or Firm—Pro-Techtor International Services

[57] **CLAIM**

The ornamental design for a surge protector, as shown and described.

DESCRIPTION

FIG. 1 is a perspective view of a surge protector showing my design;

FIG. 2 is a front elevation view thereof;

FIG. 3 is a rear elevation view thereof;

FIG. 4 is a left side elevation view thereof;

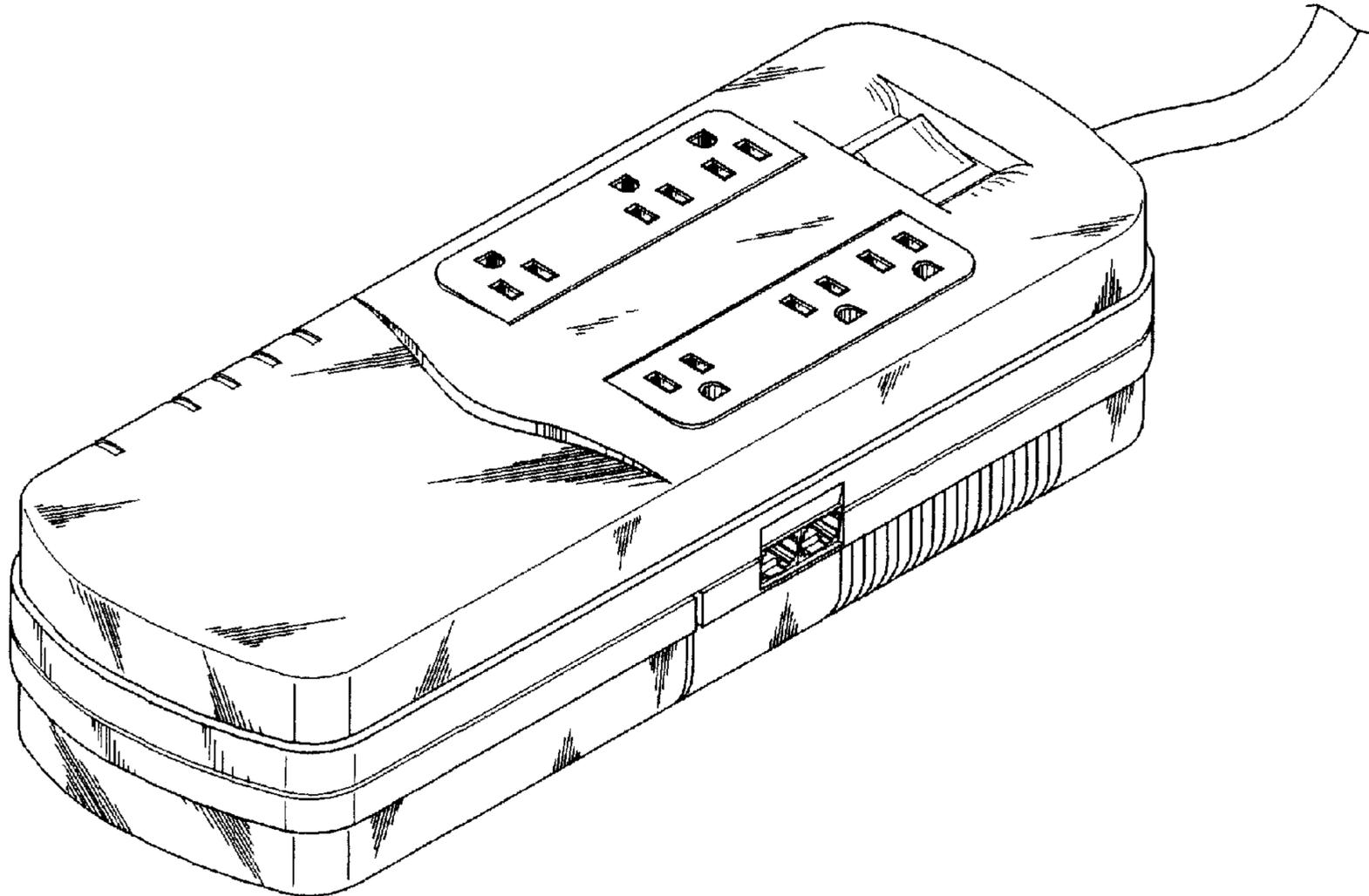
FIG. 5 is a right side elevation view thereof;

FIG. 6 is a top plan view thereof; and,

FIG. 7 is a bottom plan view thereof.

The cord is shown broken away to indicate indeterminate length.

1 Claim, 4 Drawing Sheets



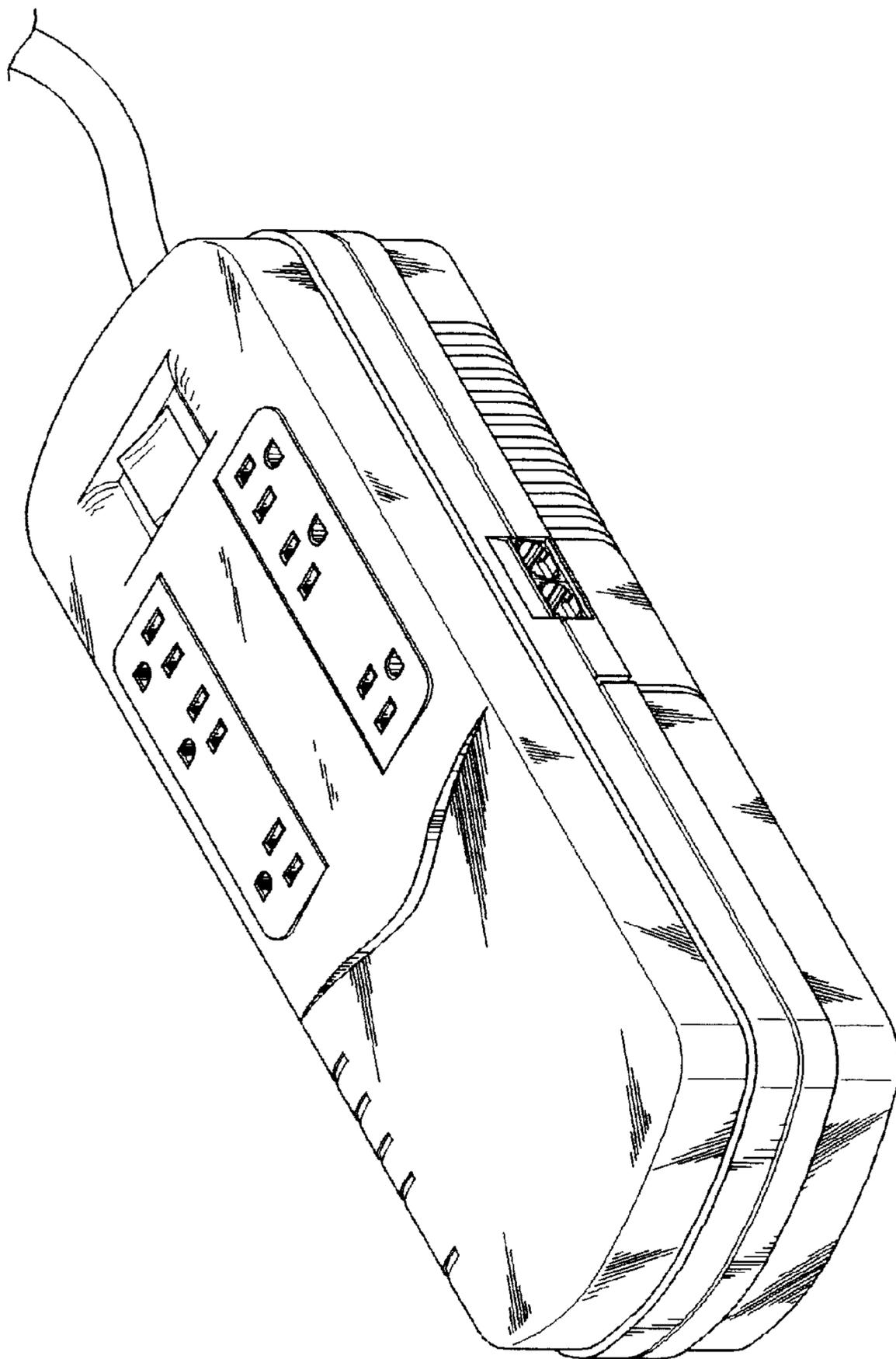


FIG. 1

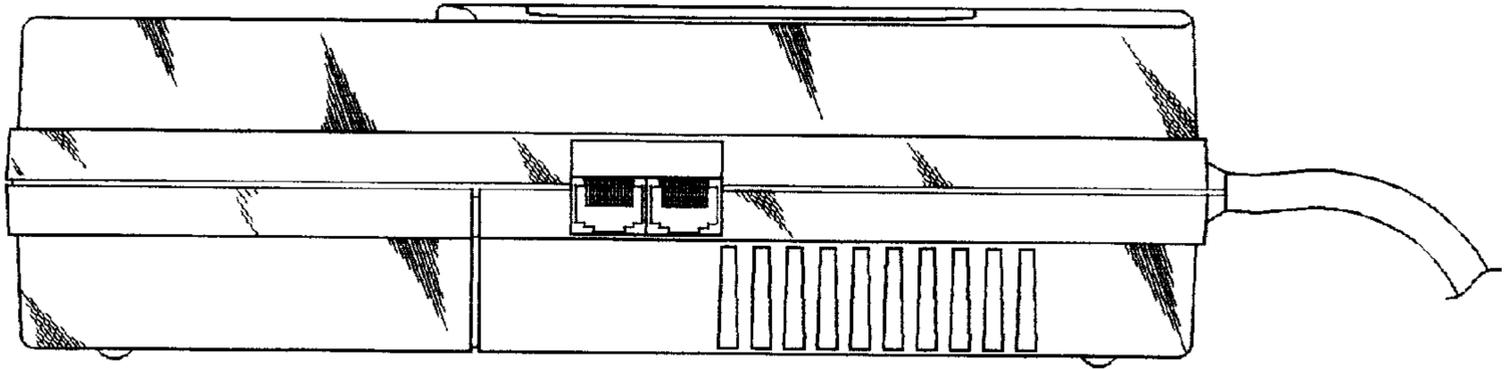


FIG. 2

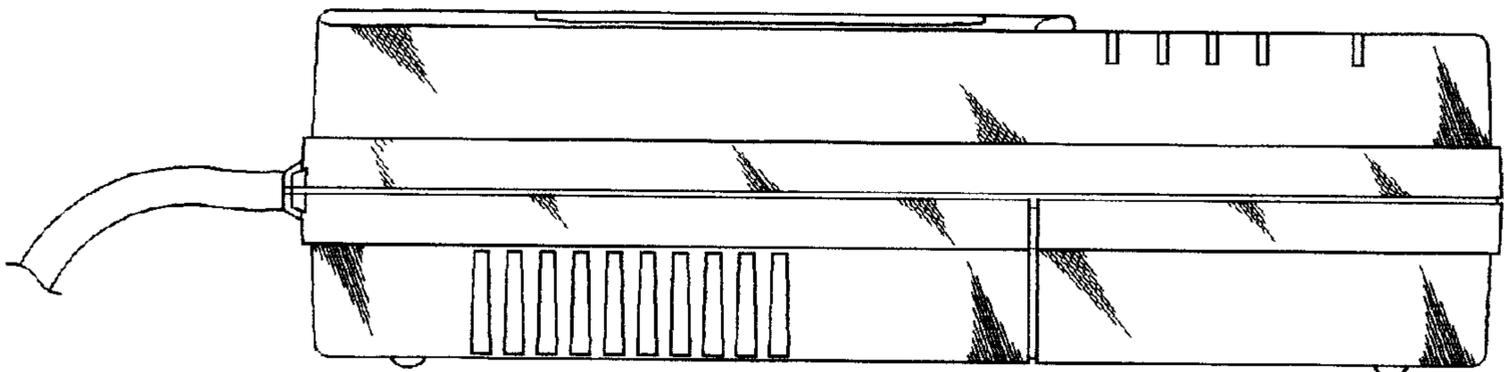


FIG. 3

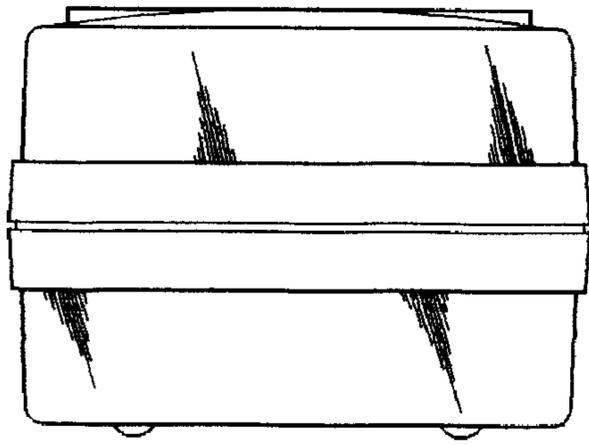


FIG. 4

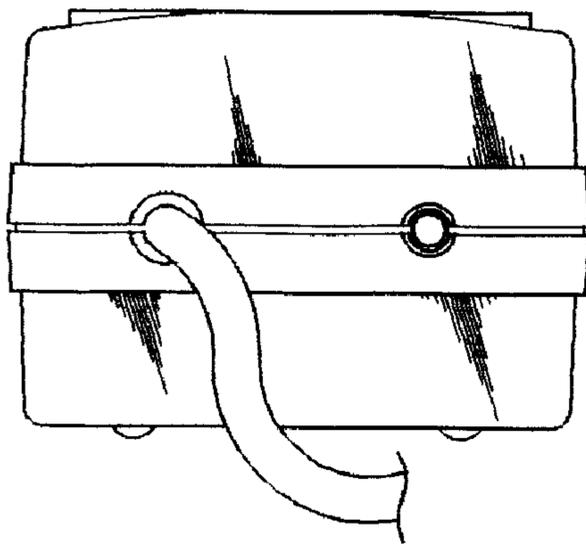


FIG. 5

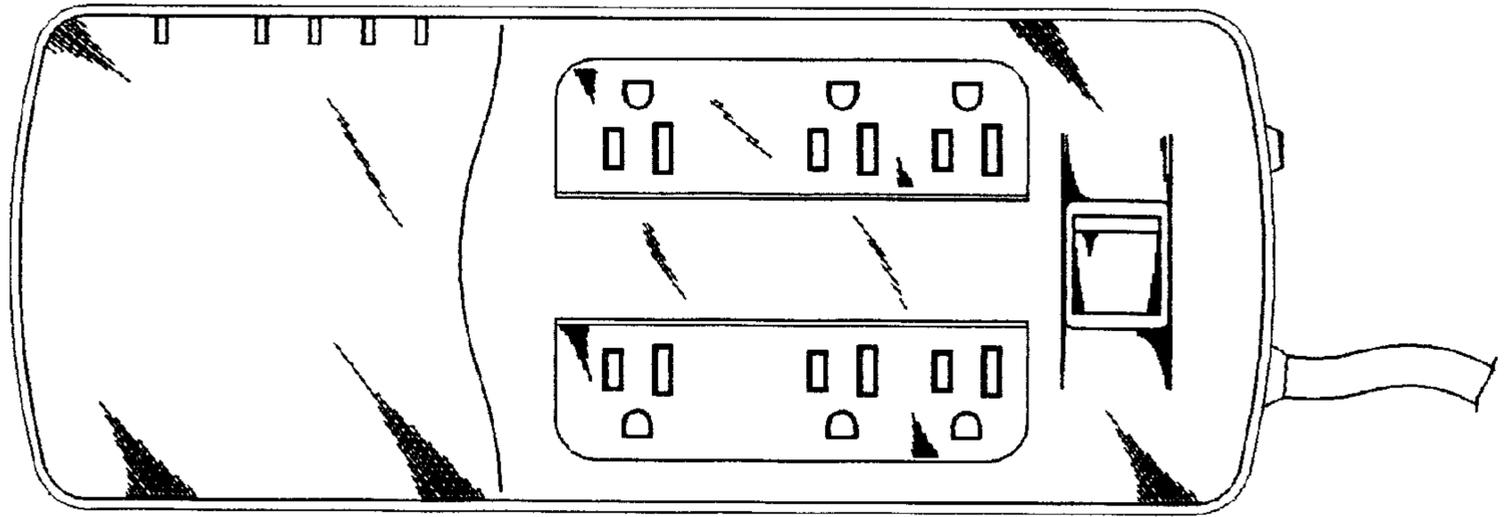


FIG. 6

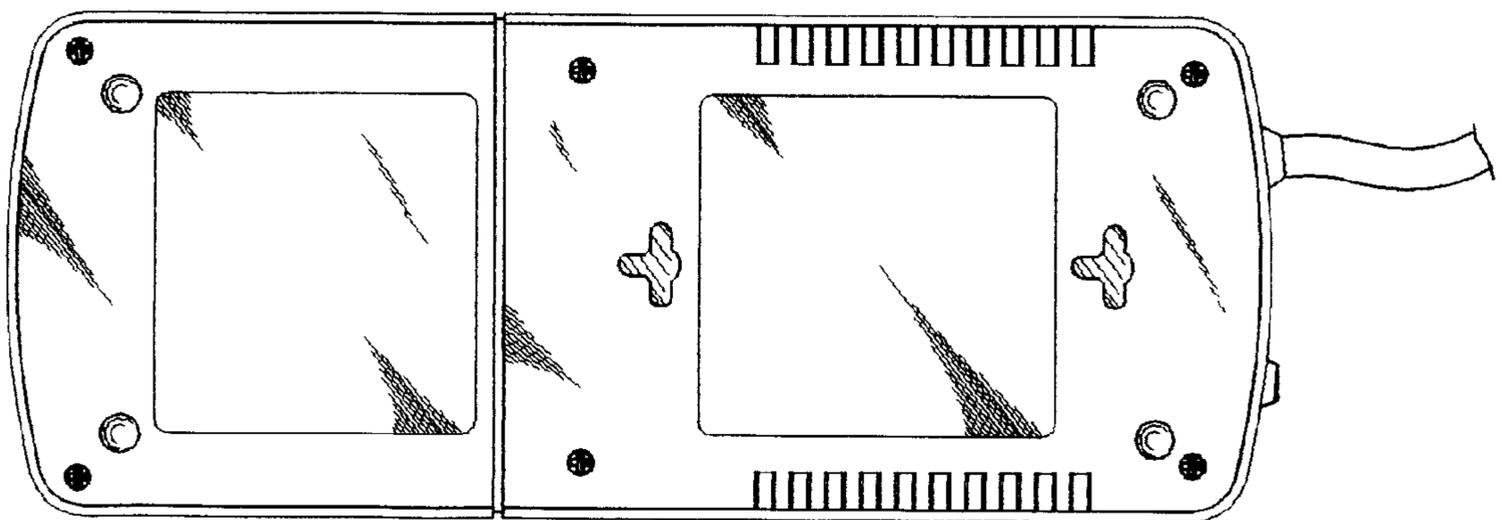


FIG. 7