



US00D421736S

United States Patent [19] Bogard

[11] Patent Number: Des. 421,736

[45] Date of Patent: ** Mar. 21, 2000

[54] PICK-UP TRUCK LIGHTWEIGHT CARGO COVER

[76] Inventor: Donald E. Bogard, 22204 Dolphin Ct., Dearborn Heights, Mich. 48127

[**] Term: 14 Years

[21] Appl. No.: 29/103,919

[22] Filed: Apr. 26, 1999

[51] LOC (6) Cl. 12-16

[52] U.S. Cl. D12/401

[58] Field of Search D12/401; 296/101, 296/100.1-100.9, 225; 160/32-33, 36, 133

[56] **References Cited**

U.S. PATENT DOCUMENTS

D. 310,987	10/1990	Law et al.	D12/401
D. 329,998	10/1992	Sutton et al.	D12/401
D. 343,602	1/1994	Brown	D12/401
D. 350,108	8/1994	Blanchard	D12/401
D. 365,080	12/1995	Loughlin	D12/401
D. 403,292	12/1998	Bogard	D12/401
3,489,456	1/1970	Klanke	296/100.1
4,615,557	10/1986	Robinson	296/100.1
4,789,197	12/1988	Lewis	296/100.1
5,595,417	1/1997	Thoman et al.	296/100.1
5,620,040	4/1997	Swanner	296/100.1 X
5,632,522	5/1997	Gaitan et al.	296/100.1

Primary Examiner—Doris V. Coles
Assistant Examiner—Stacia Cadmus
Attorney, Agent, or Firm—Alex Rhodes

[57] **CLAIM**

The ornamental design for a pick-up truck lightweight cargo cover, as shown and described.

DESCRIPTION

FIG. 1 is a plan view of a cargo cover as mounted in a closed position on a pick-up truck, showing my new design

FIG. 2 is a side view of the cargo cover as mounted in the closed position on the pick-up truck.

FIG. 3 is a rear view of the cargo cover as mounted in the closed position on the pick-up truck.

FIG. 4 is an enlarged plan view of the cover;

FIG. 5 is an enlarged front view of the cover;

FIG. 6 is an enlarged rear view of the cover;

FIG. 7 is an enlarged left side view of the cover;

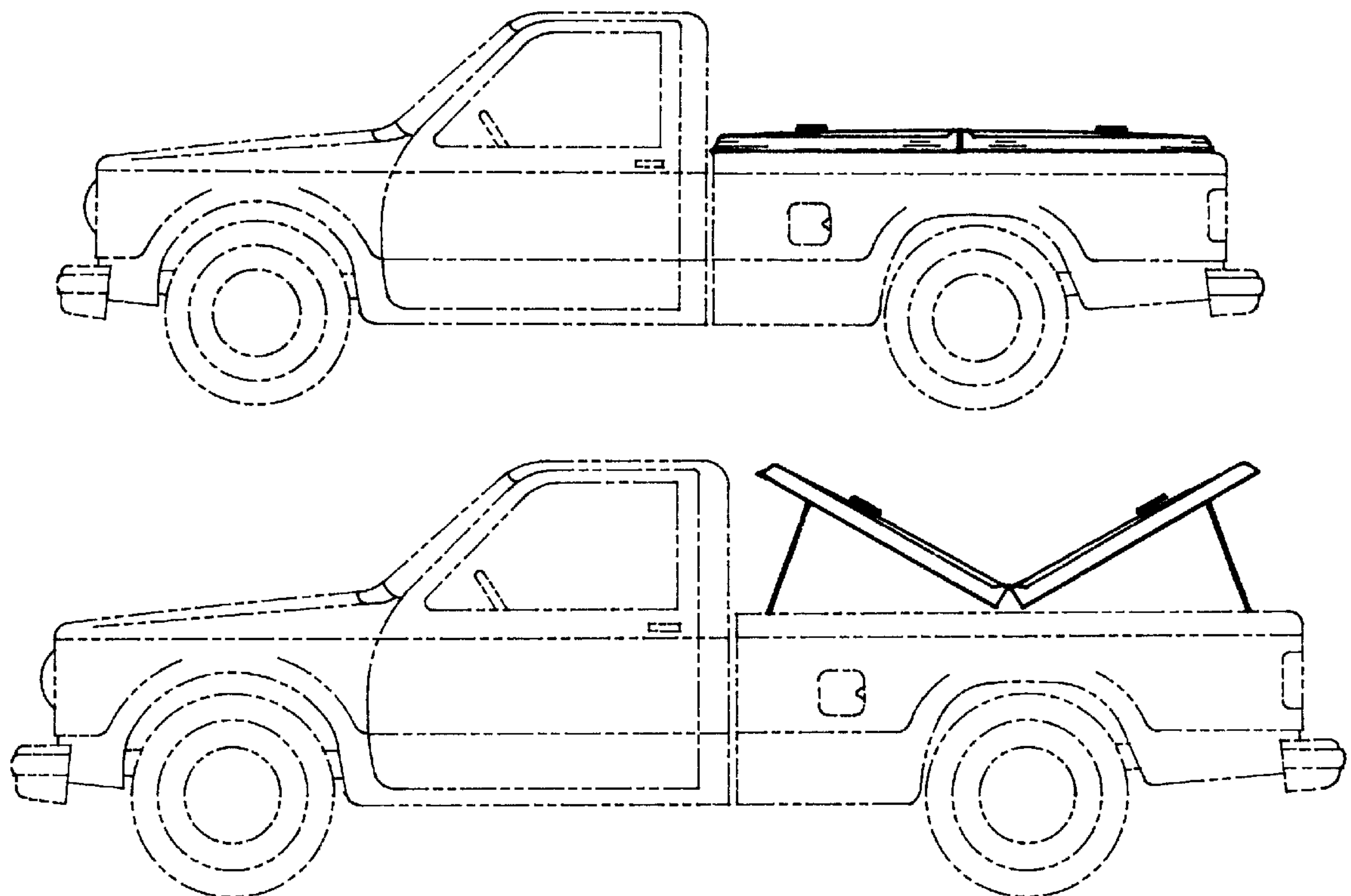
FIG. 8 is an enlarged right side view of the cover; and

FIG. 9 is an enlarged bottom view of the cover; and,

FIG. 10 is a side view of the cargo cover as mounted on the pick-up truck with the front and rear panels of the cover shown in partially open positions.

The broken line showing of environment in the drawings is for illustrative purposes only and forms no part of the claimed design.

1 Claim, 4 Drawing Sheets



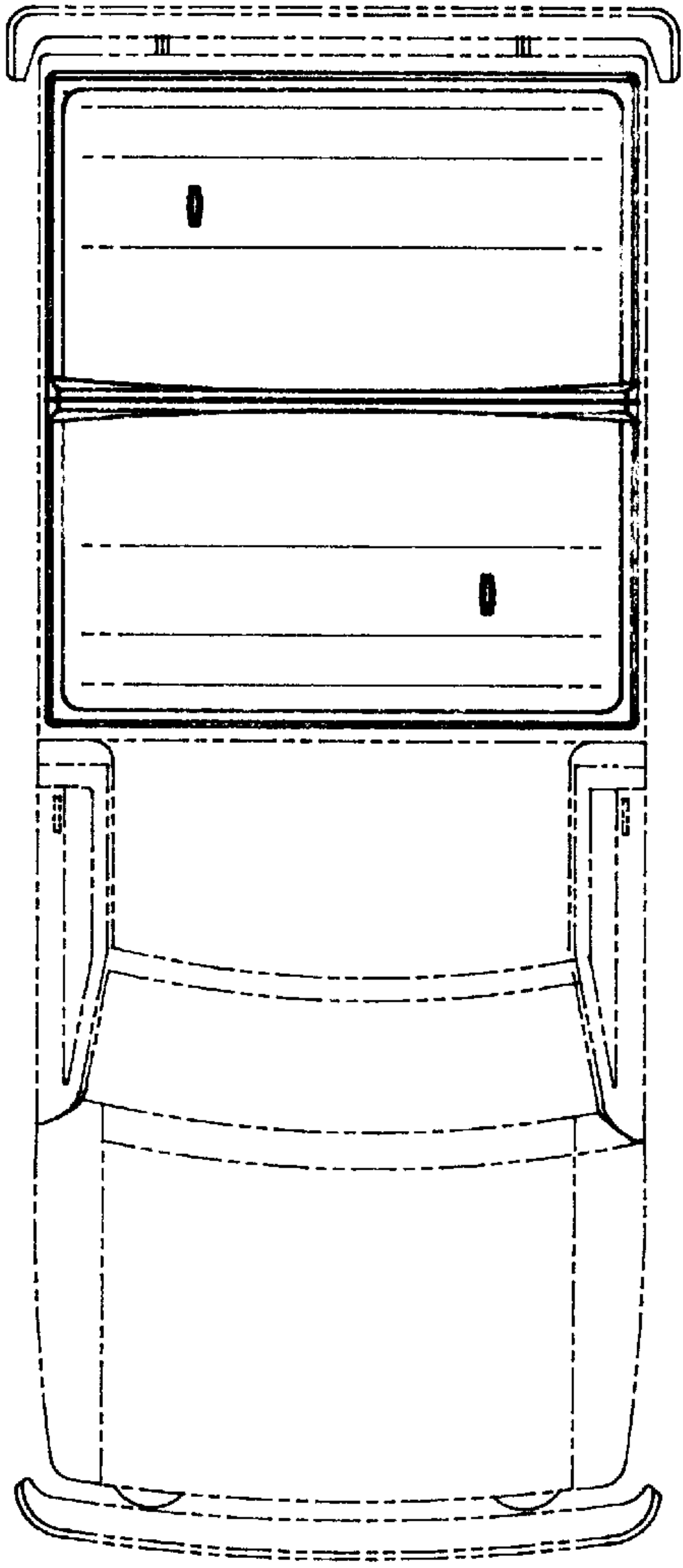


FIG. 1

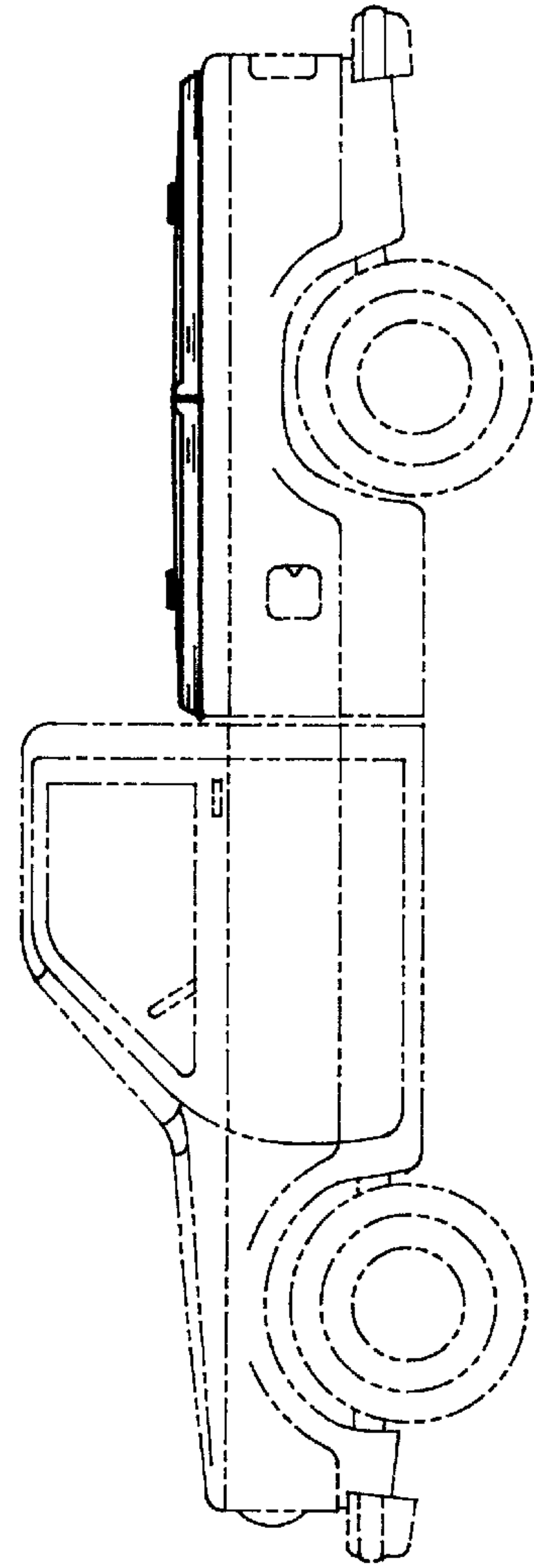


FIG. 2

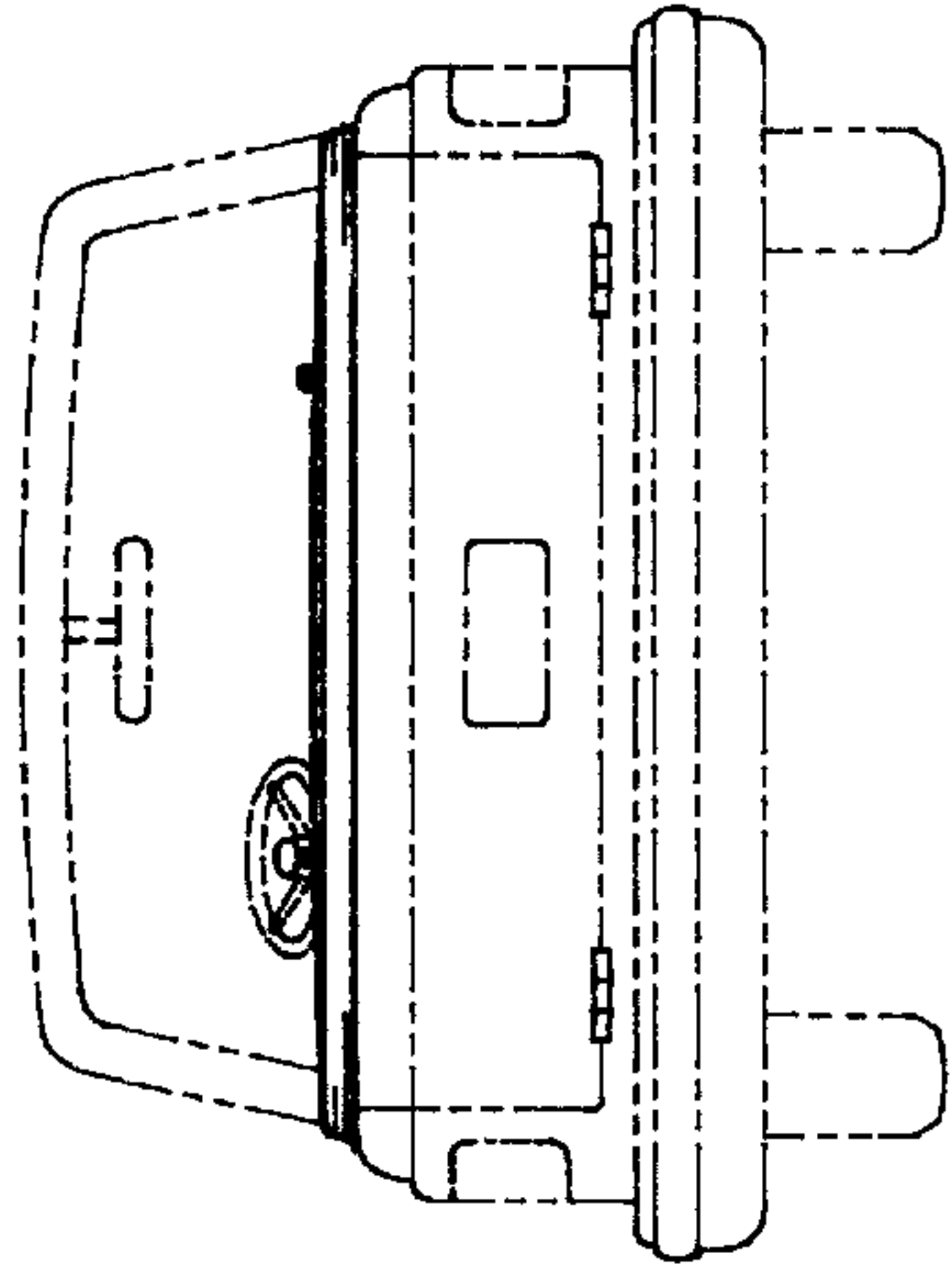


FIG. 3

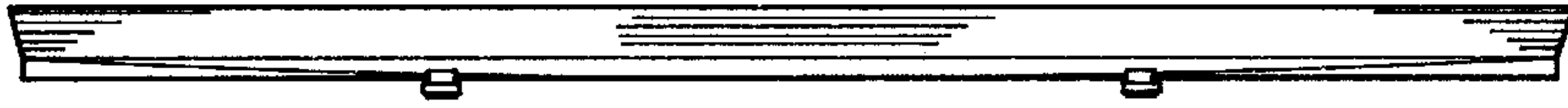


FIG. 6

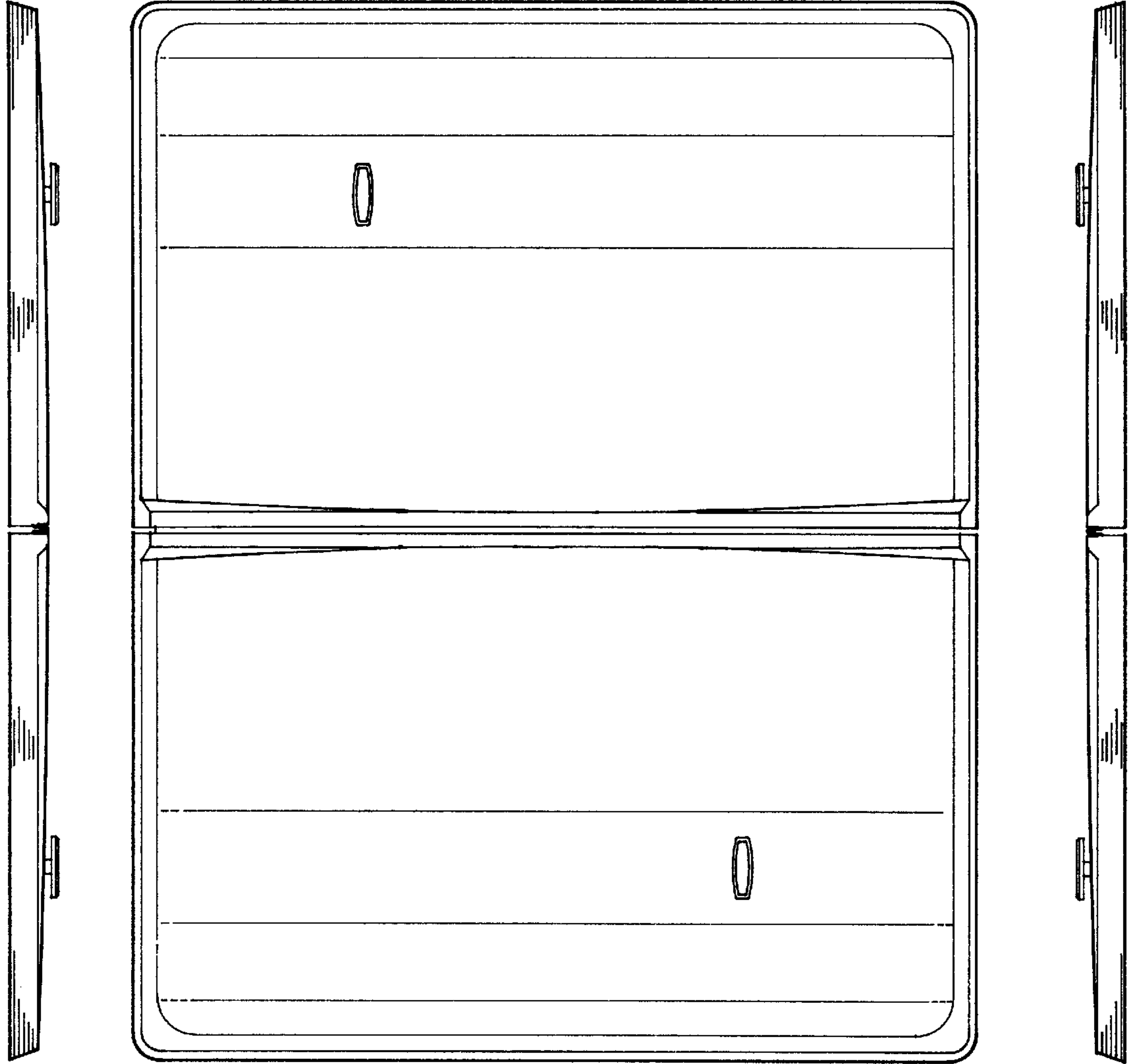


FIG. 4

FIG. 8

FIG. 7

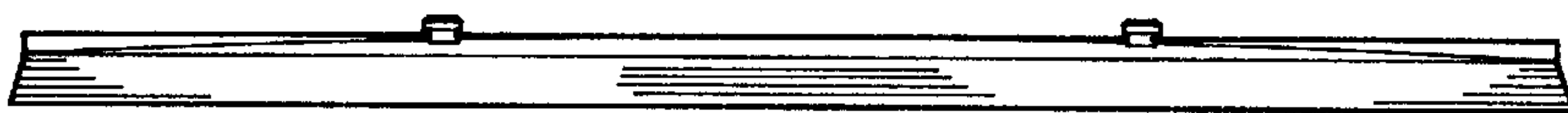


FIG. 5

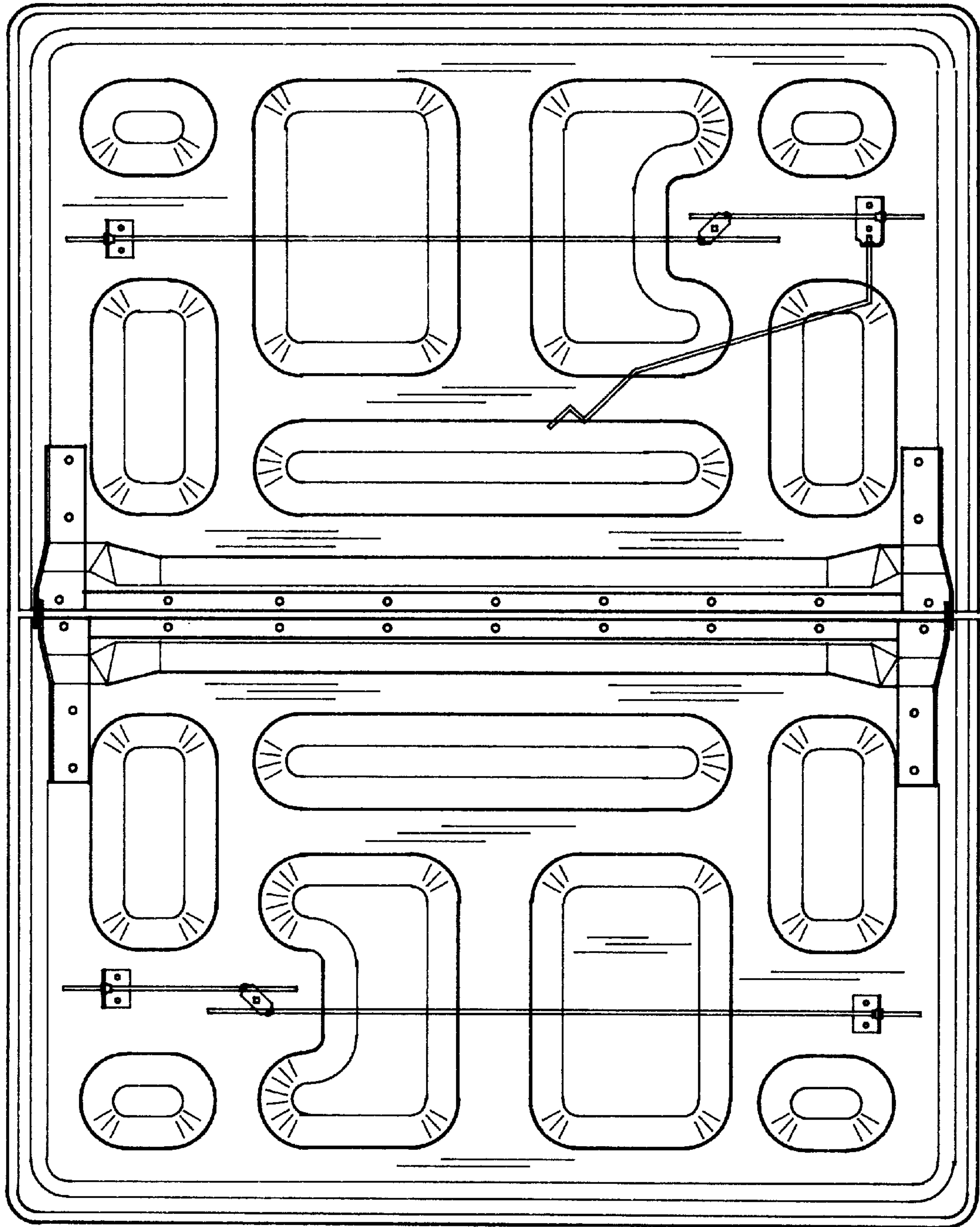


FIG. 9

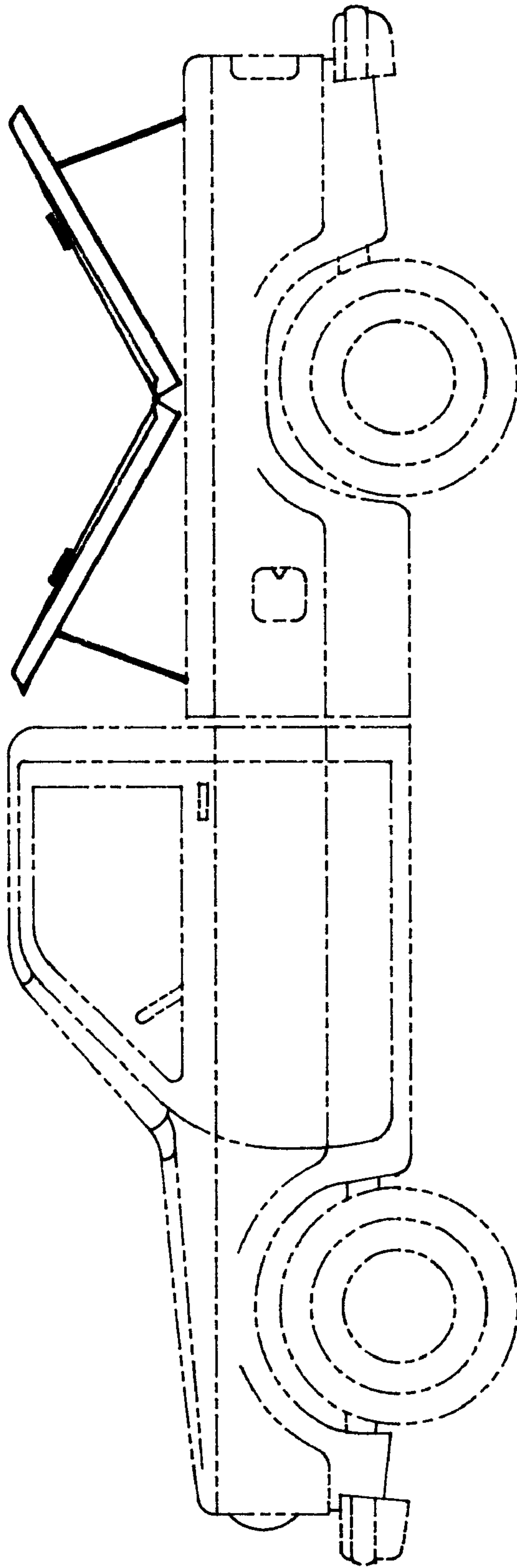


FIG. 10