



US00D421735S

United States Patent [19]
Gagnon

[11] **Patent Number: Des. 421,735**

[45] **Date of Patent: ** Mar. 21, 2000**

[54] **ALL TERRAIN WHEEL FOR A WHEELCHAIR**

D. 350,523 9/1994 Mobius D12/209
D. 375,286 11/1996 Abbott D12/209
D. 389,112 1/1998 Chung D12/209

[76] Inventor: **Brian Gagnon**, 4311 NW. 64th Ave.,
Coral Springs, Fla. 33067

Primary Examiner—Doris V. Coles
Assistant Examiner—Stacia Sinuik
Attorney, Agent, or Firm—Robert M. Downey, P.A.

[**] Term: **14 Years**

[21] Appl. No.: **29/082,069**

[57] **CLAIM**

[22] Filed: **Jan. 14, 1998**

The ornamental design for an all terrain wheel for a wheelchair, as shown and described.

[51] **LOC (6) Cl.** **12-16**

[52] **U.S. Cl.** **D12/209**

[58] **Field of Search** D12/204–213,
D12/131, 133; 301/64.1, 65, 37.1

DESCRIPTION

[56] **References Cited**

U.S. PATENT DOCUMENTS

- D. 197,841 3/1964 Deaver D12/209
- D. 212,941 12/1968 Van Wisen D12/209
- D. 277,661 2/1985 Cafaro et al. D12/211
- D. 302,264 7/1989 Soederberg D12/209
- D. 304,815 11/1989 Jones D12/211 X
- D. 307,572 5/1990 De Lespinay D12/211
- D. 336,886 6/1993 Mikawa D12/211

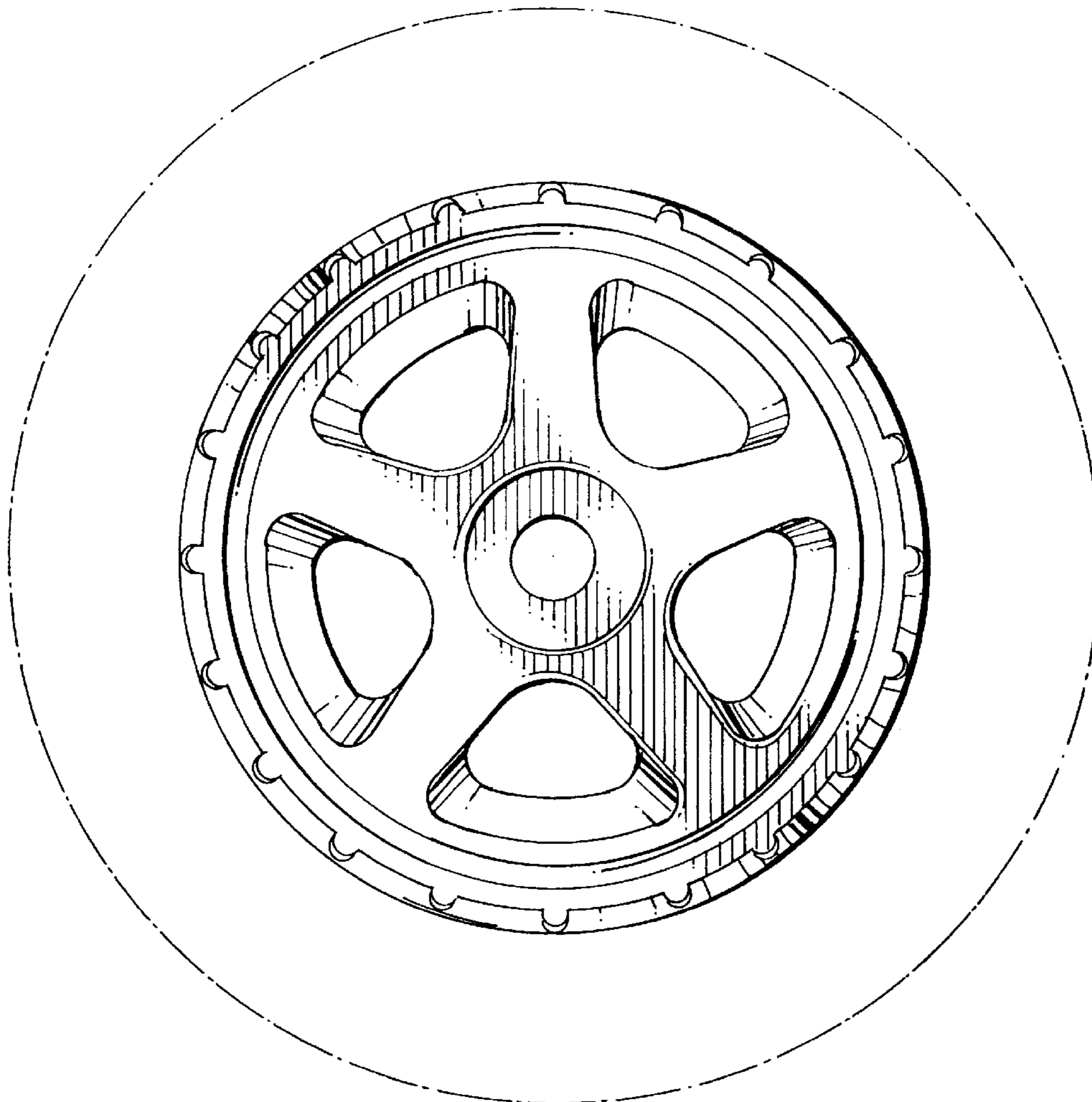
FIG. 1 is a front elevational view of an all terrain wheel for a wheelchair showing my new design, wherein a tire fitted to the all terrain wheel is indicated in broken lines;

FIG. 2 is a top plan view of the all terrain wheel of FIG. 1, with the tire shown in broken lines, the bottom plan view, left end elevational view and right end elevational view being identical thereto; and,

FIG. 3 is a rear elevational view thereof.

The broken line showing of environment is for illustrative purposes only and forms no part of the claimed design.

1 Claim, 2 Drawing Sheets



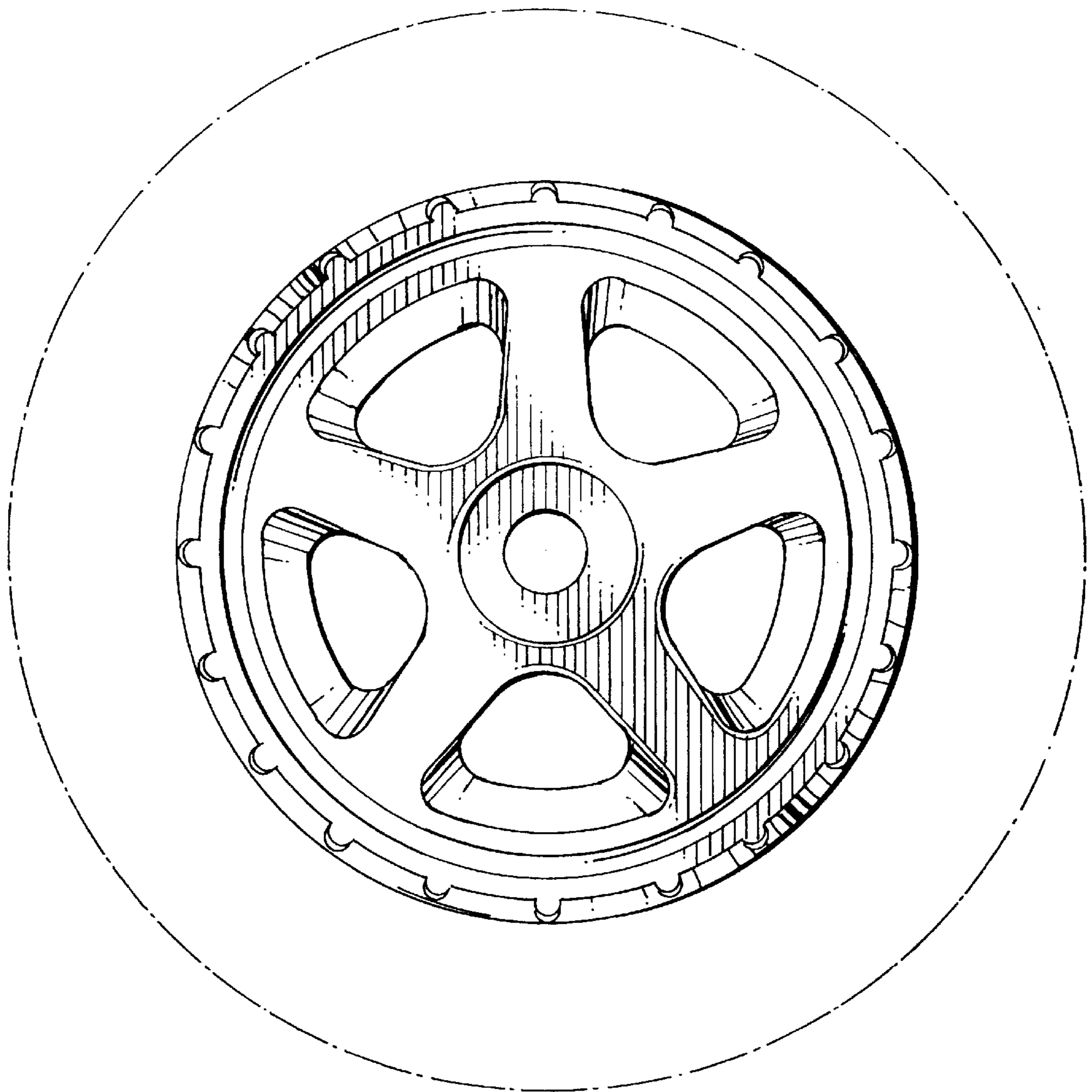


FIG. 1

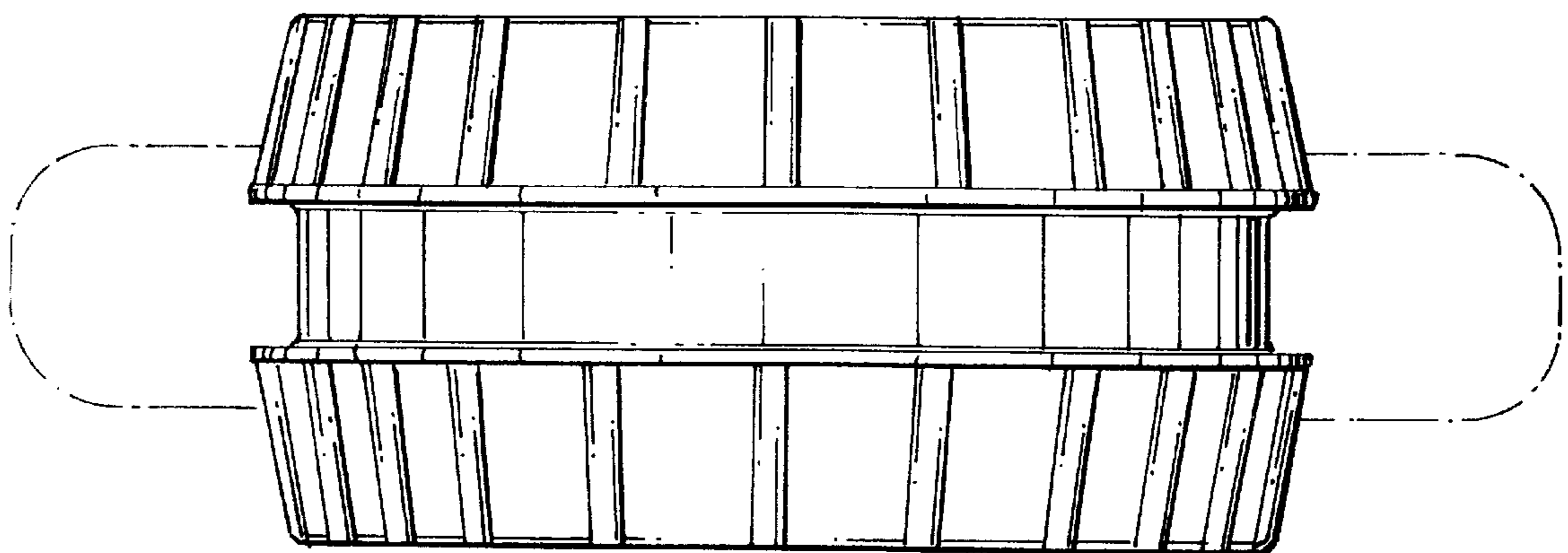


FIG. 2

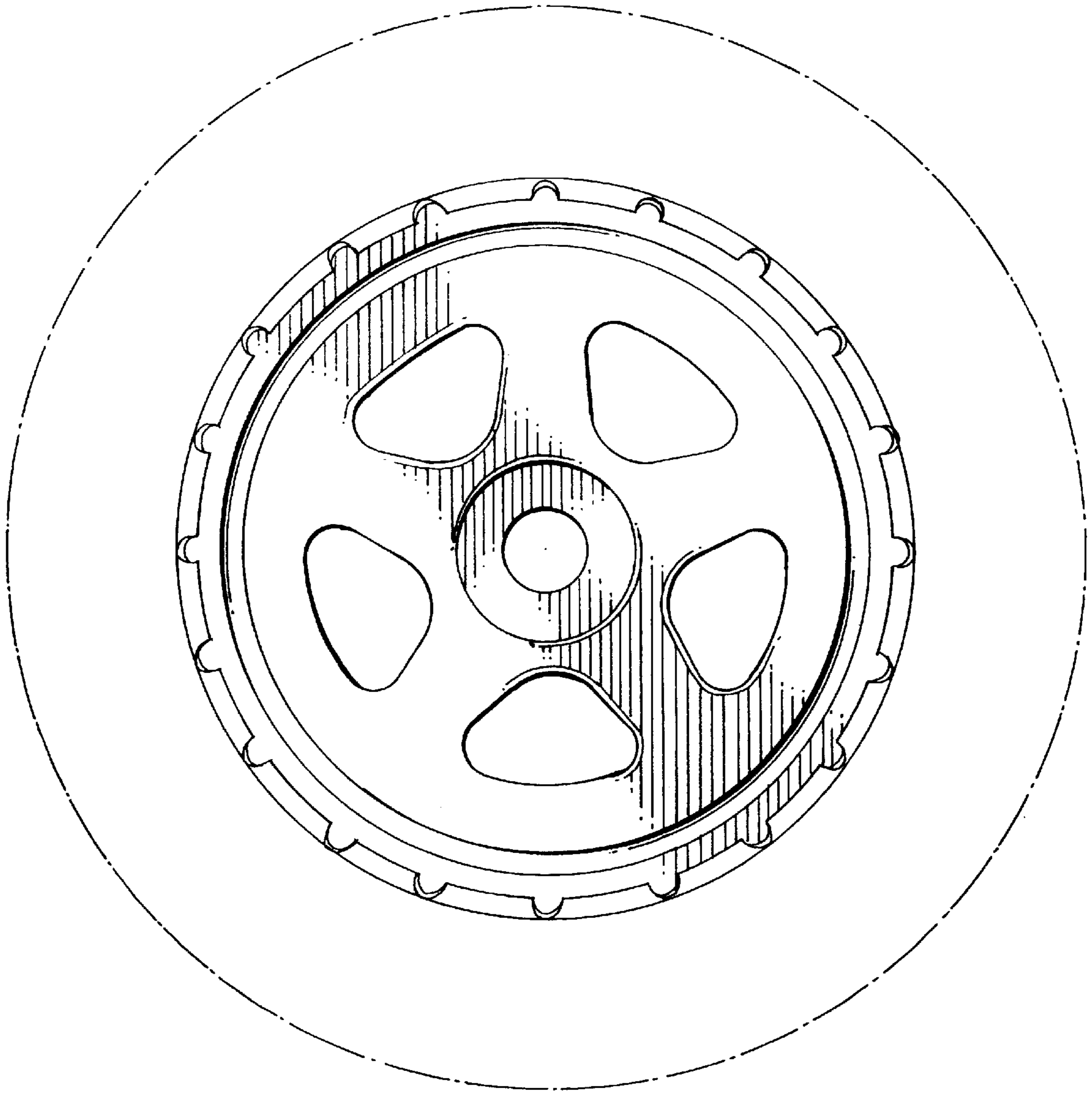


FIG. 3