



US00D421727S

United States Patent [19]

Pierson et al.

[11] Patent Number: **Des. 421,727**

[45] Date of Patent: **** Mar. 21, 2000**

[54] **DOORBELL BUTTON**

D. 404,673 1/1999 Gordon et al. D10/118

[76] Inventors: **Theodore Pierson; Thomas Gordon,**
both of P.O. Box 4758, Seattle, Wash.
98104

Primary Examiner—Marcus A. Jackson

[**] Term: **14 Years**

[57] **CLAIM**

The ornamental design for a doorbell button, as shown and described.

[21] Appl. No.: **29/104,707**

[22] Filed: **May 11, 1999**

DESCRIPTION

[51] **LOC (6) Cl.** **10-05**

FIG. 1 is a section view.

[52] **U.S. Cl.** **D10/116**

FIG. 2 is a front view.

[58] **Field of Search** D10/116, 118,
D10/120, 121; 340/384.1, 384.3, 384.4,
384.5, 384.6, 384.7

FIG. 3 is a side view, with the opposite side being a mirror image thereof;

FIG. 4 is a rear view; and,

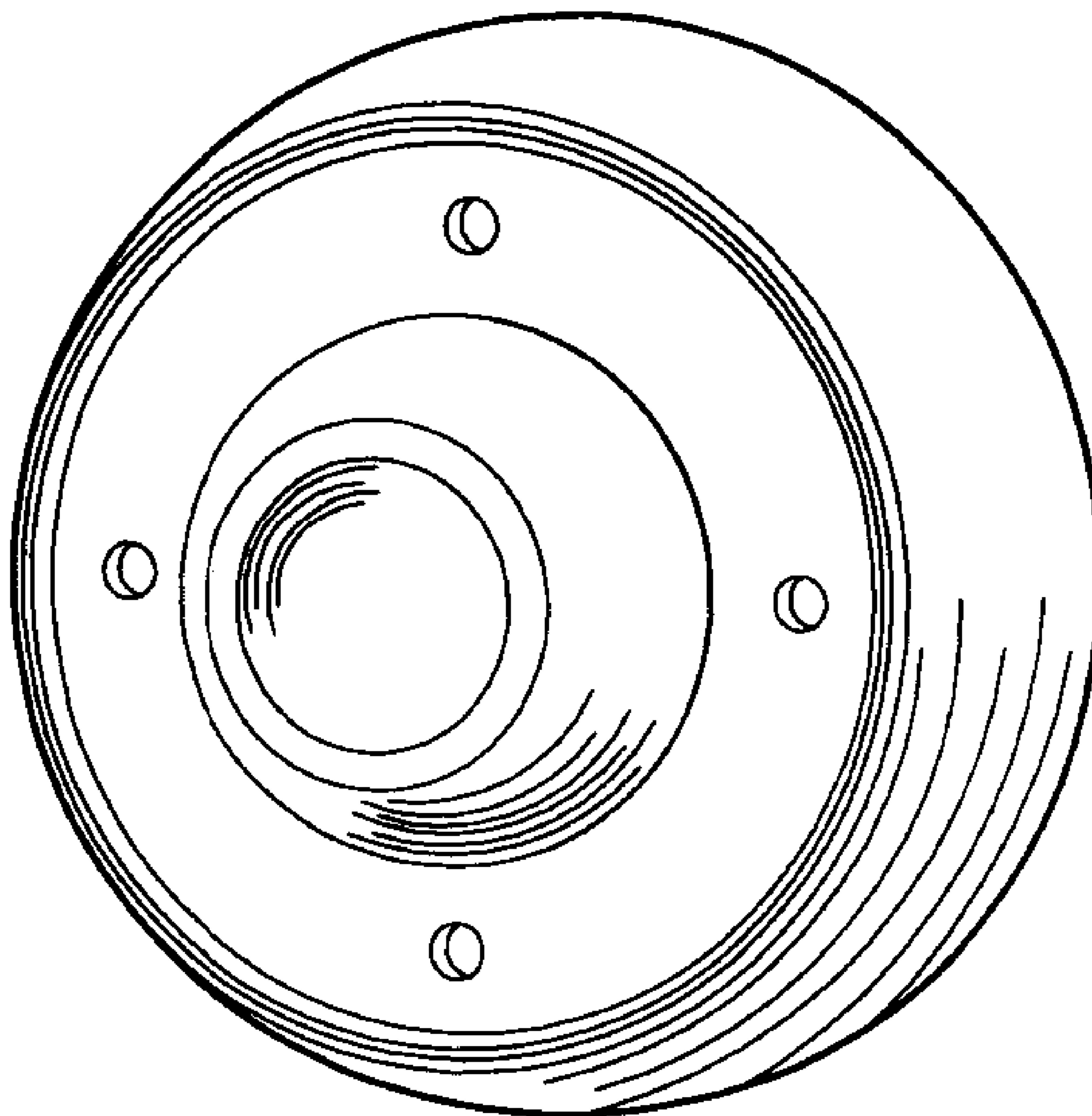
FIG. 5 is a perspective view.

[56] **References Cited**

U.S. PATENT DOCUMENTS

D. 339,760 9/1993 Zucero et al. D10/118

1 Claim, 1 Drawing Sheet



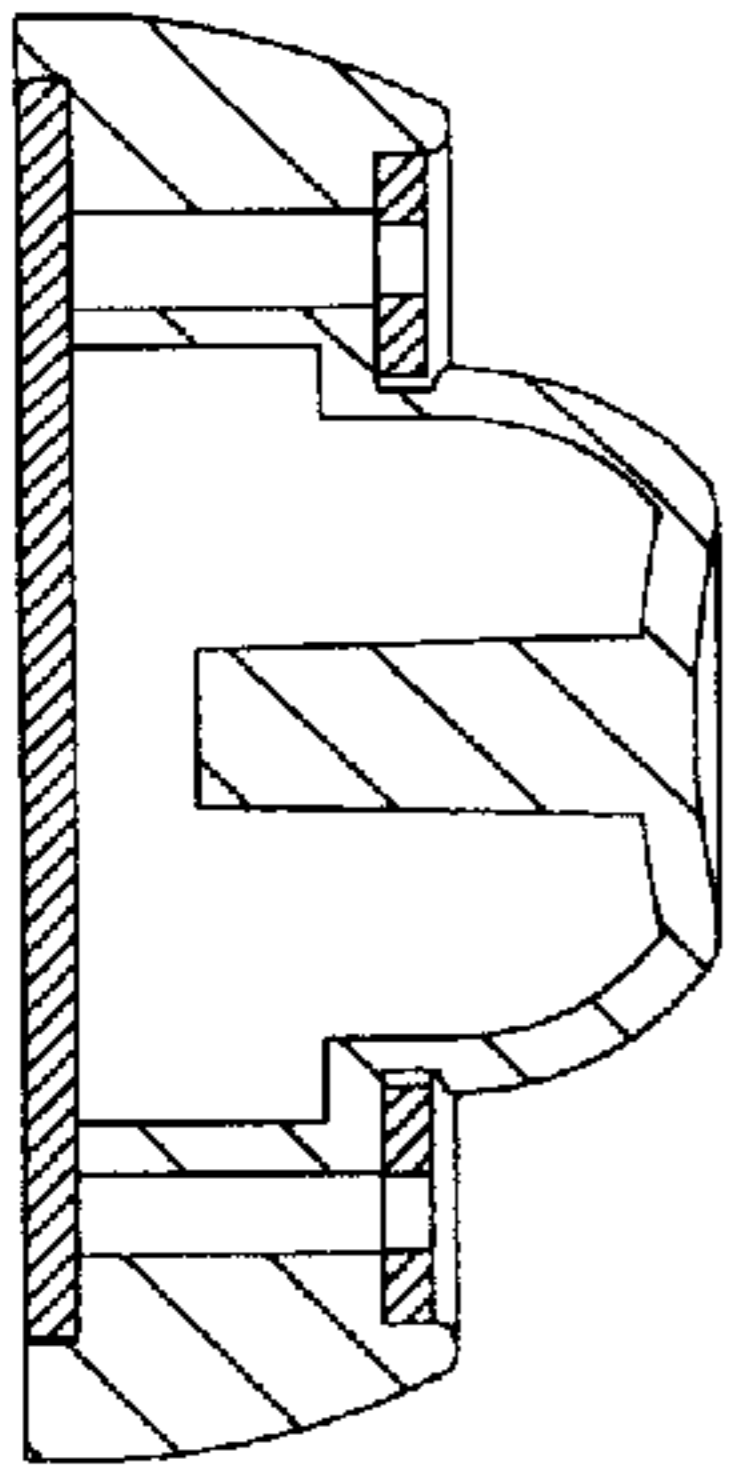


FIG. 1

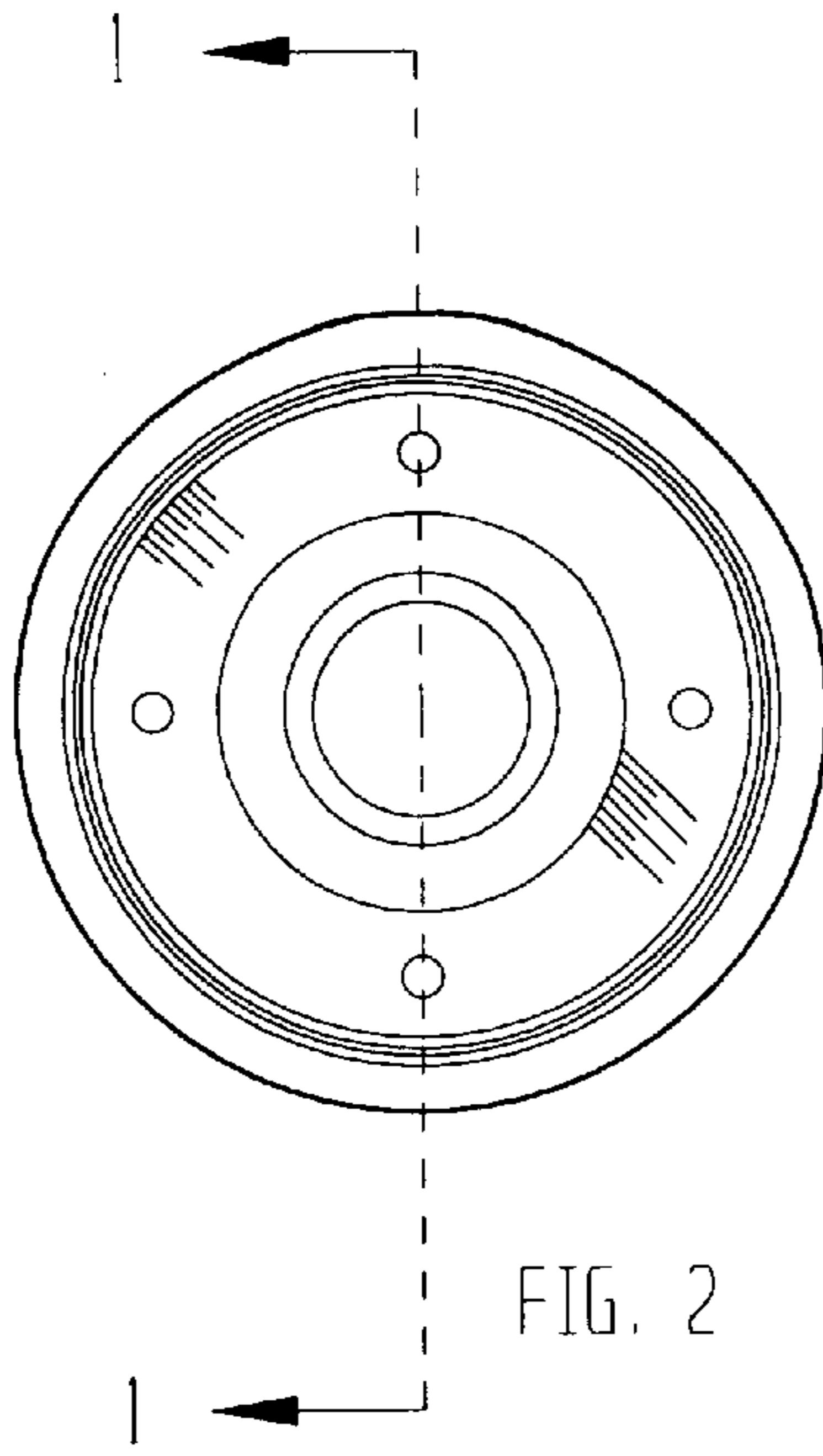


FIG. 2

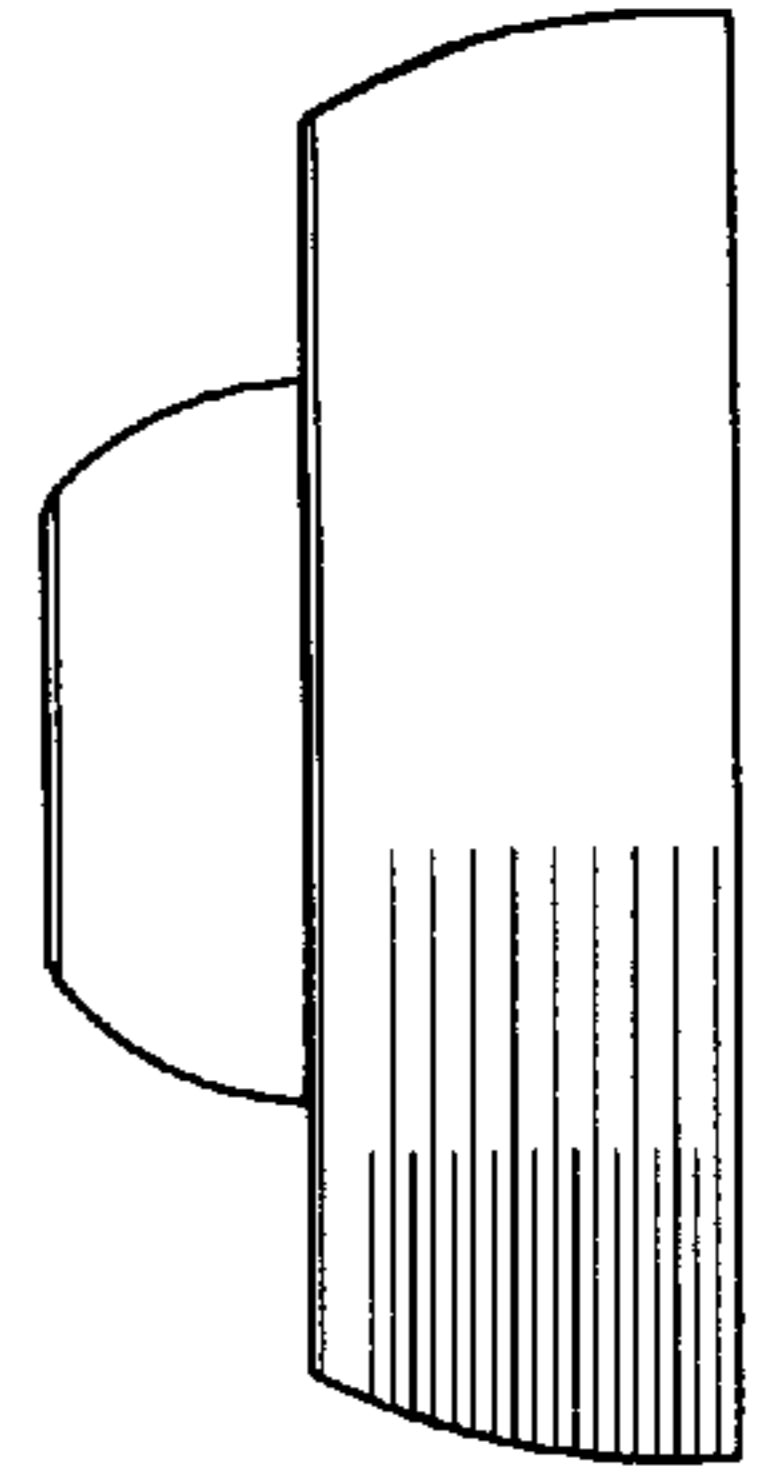


FIG. 3

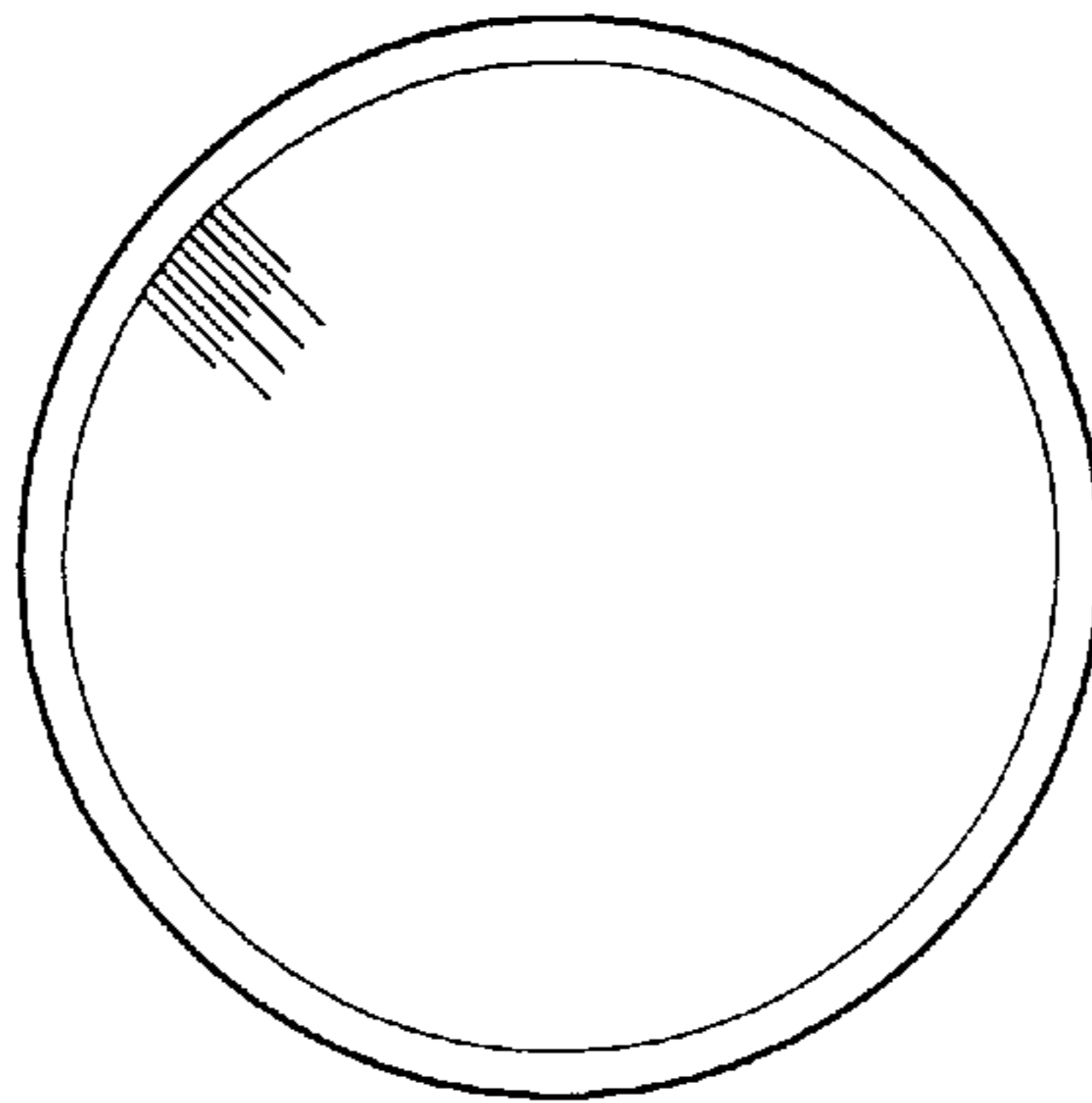


FIG. 4

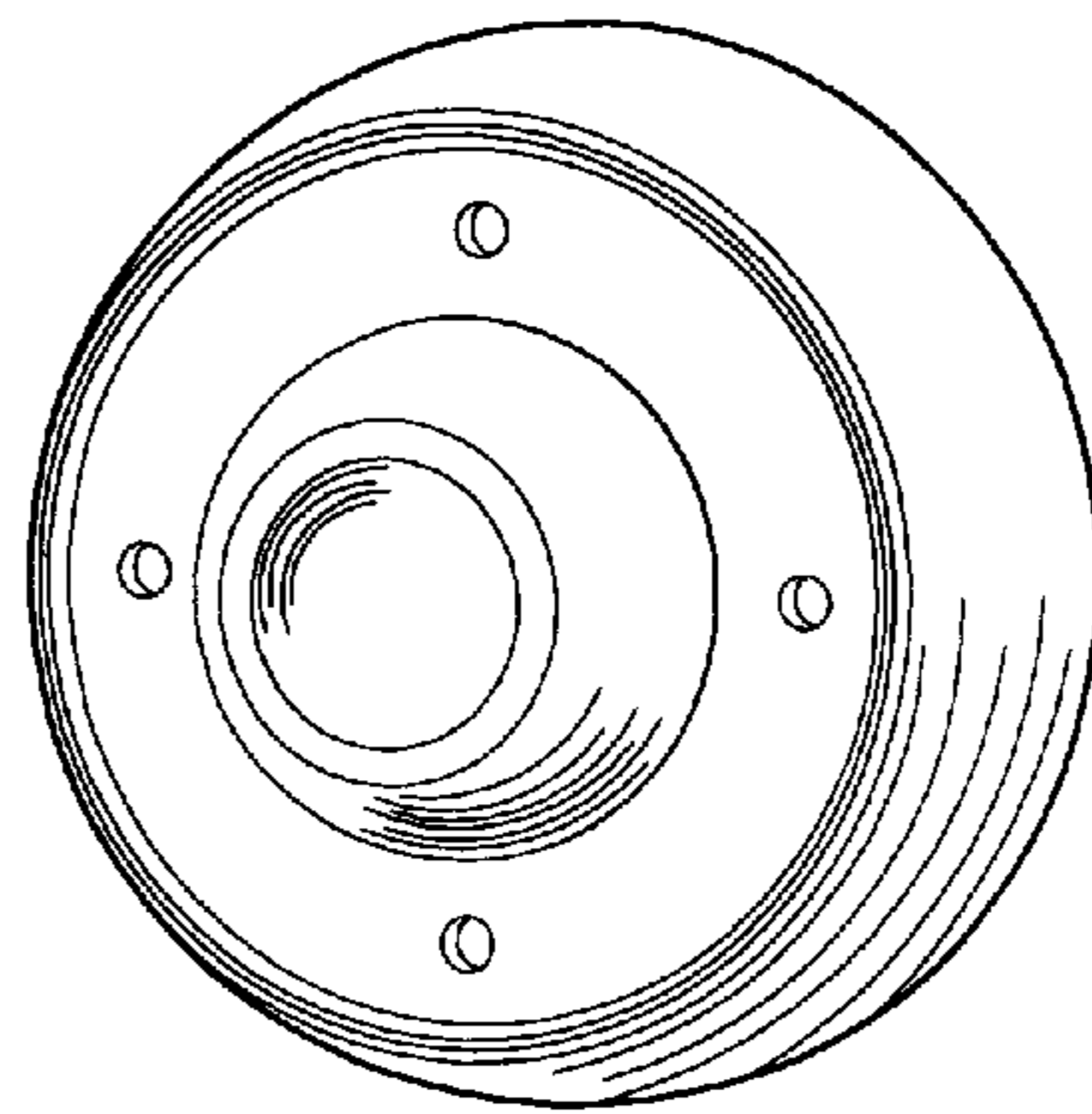


FIG. 5