



US00D421723S

# United States Patent [19]

Krauss et al.

[11] Patent Number: Des. 421,723

[45] Date of Patent: \*\* Mar. 21, 2000

[54] WATCH CASING AND BEZEL

D. 402,210 12/1998 Sang ..... D10/30

[75] Inventors: Aurelie E. Krauss, Danbury; John T. Houlihan, Southbury, both of Conn.

### OTHER PUBLICATIONS

Hong Kong Enterprise—Nov. 1981—p. 8—watch at right.  
Vogue—Apr. 15, 1969—p. 116—watch at right.

[73] Assignee: Timex Corporation, Middlebury, Conn.

Primary Examiner—Nelson C. Holtje  
Attorney, Agent, or Firm—Carmody & Torrance, LLP

[\*\*] Term: 14 Years

### [57] CLAIM

[21] Appl. No.: 29/097,931

The ornamental design for a “watch casing and bezel,” as shown and described.

[22] Filed: Dec. 17, 1998

[51] LOC (6) Cl. .... 10-02

### DESCRIPTION

[52] U.S. Cl. .... D10/30; D10/38

[58] Field of Search ..... D10/1-40, 122-132;  
368/280-282, 276-277, 28-30, 285, 239-242,  
82-84, 41-44

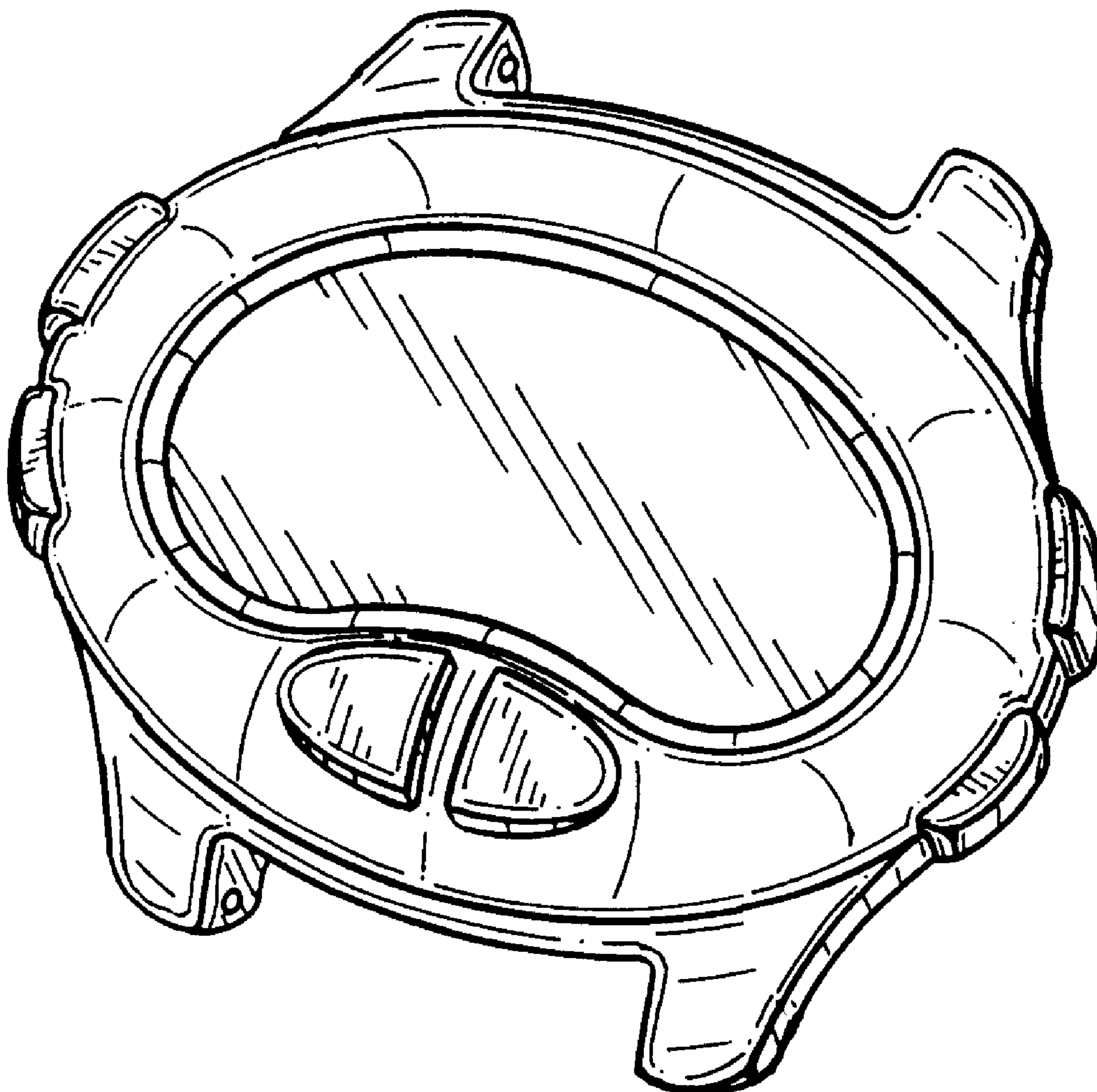
FIG. 1 is a perspective view of a watch casing and bezel showing our new design;  
FIG. 2 is a left side elevational view thereof;  
FIG. 3 is a top plan view thereof;  
FIG. 4 is a right side elevational view thereof;  
FIG. 5 is a front elevational view thereof;  
FIG. 6 is a rear elevational view thereof; and,  
FIG. 7 is a bottom plan view.

### [56] References Cited

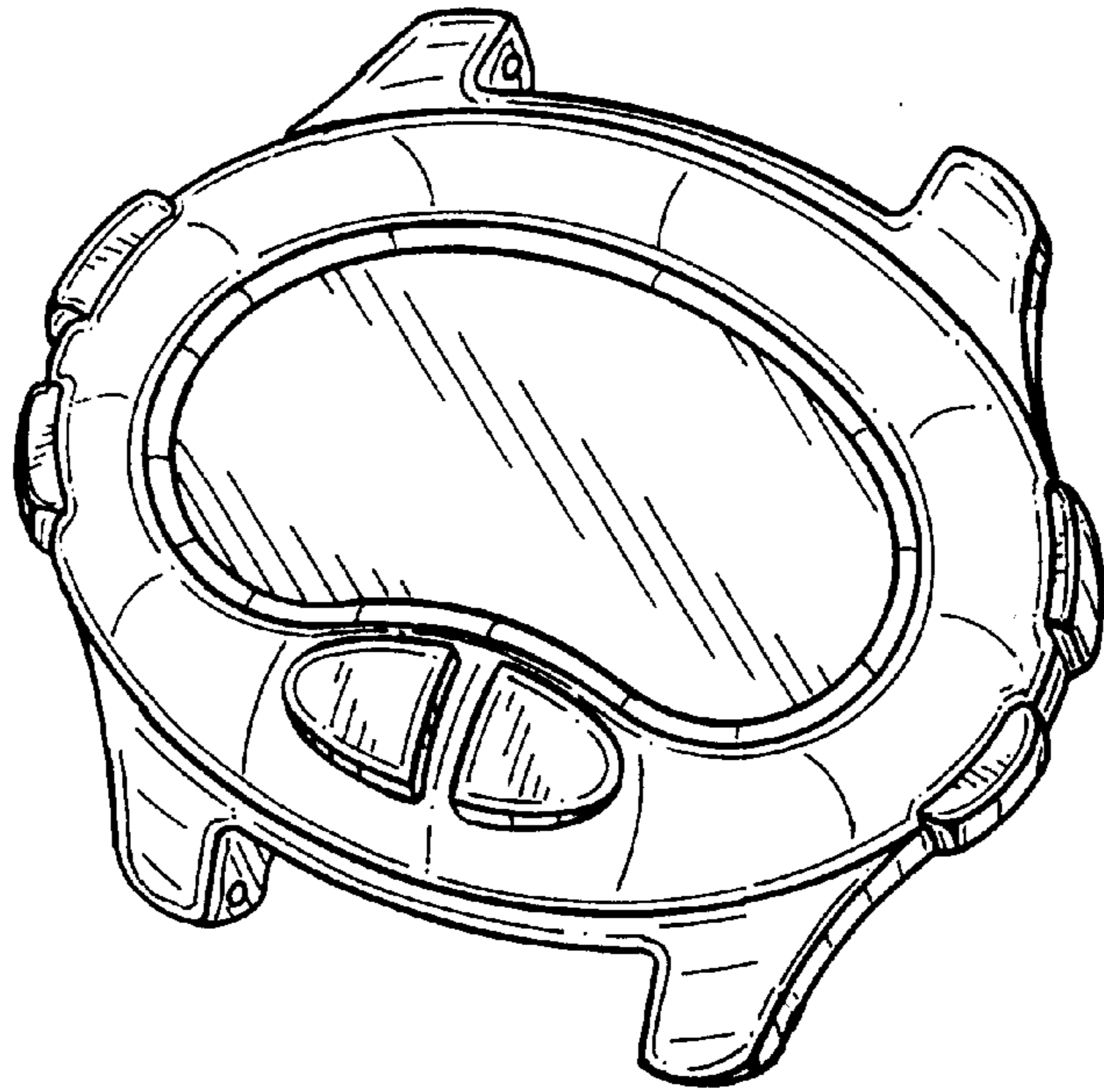
#### U.S. PATENT DOCUMENTS

- D. 380,391 7/1997 Osit ..... D10/30
- D. 386,694 11/1997 Houlihan ..... D10/30
- D. 392,195 3/1998 Riley ..... D10/30

1 Claim, 2 Drawing Sheets



*FIG. 1*



*FIG. 7*

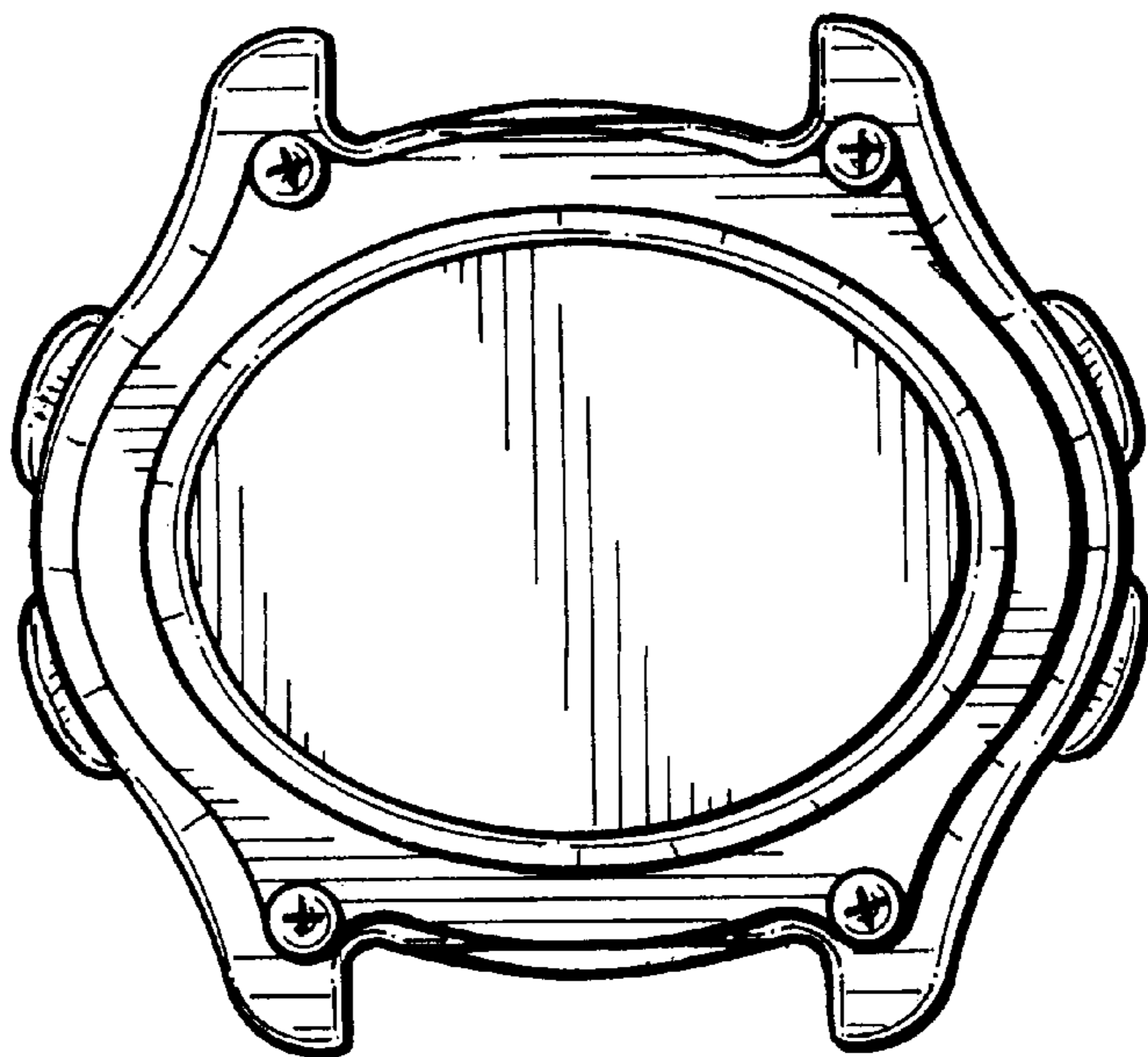


FIG. 2

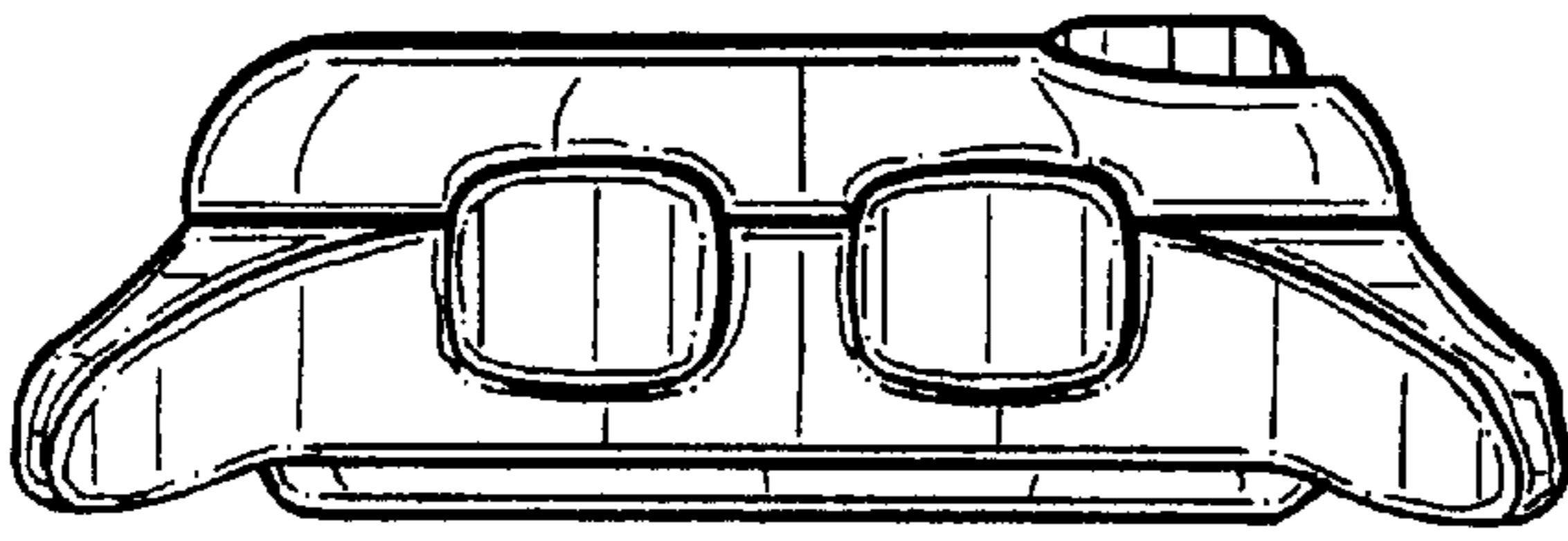


FIG. 3

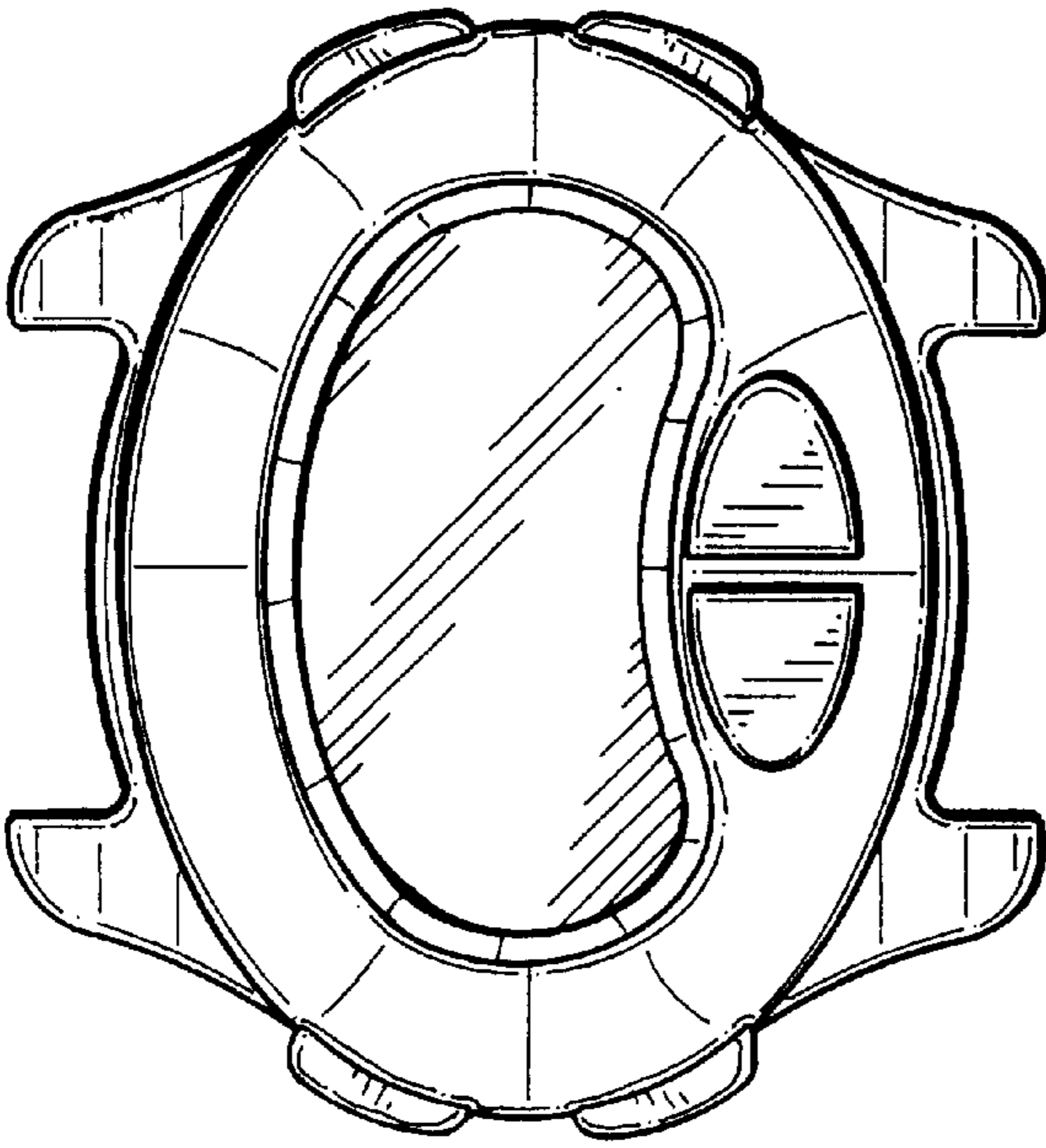


FIG. 4

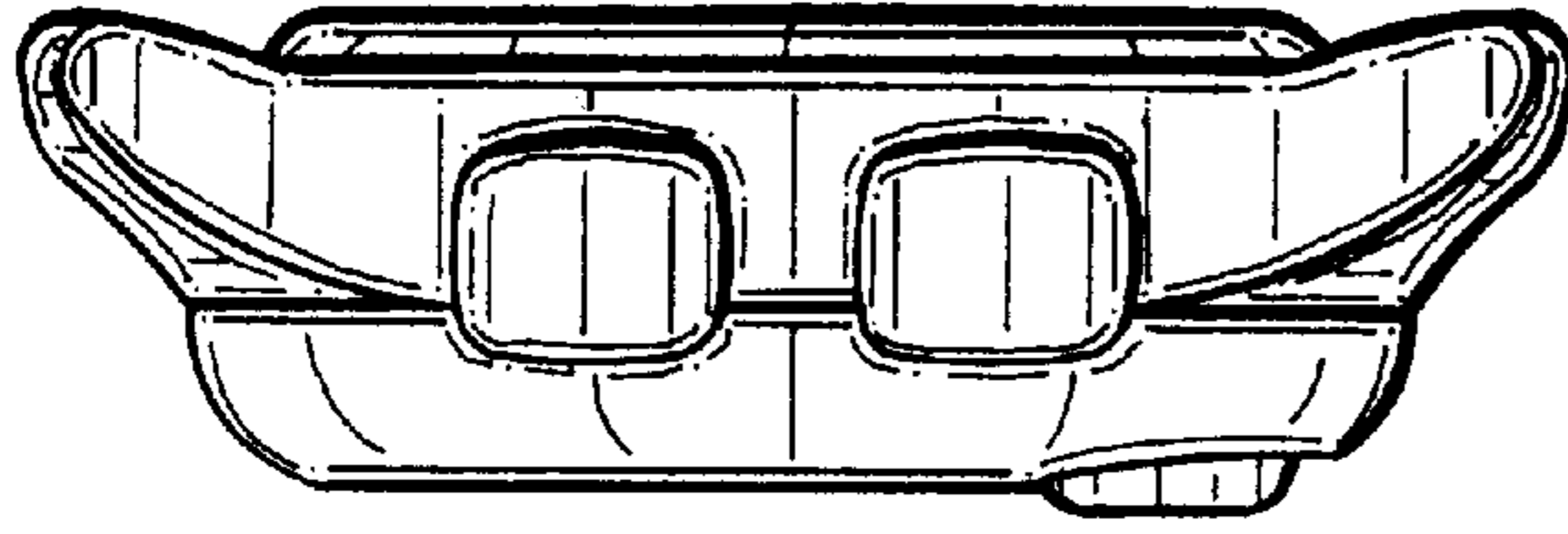


FIG. 5

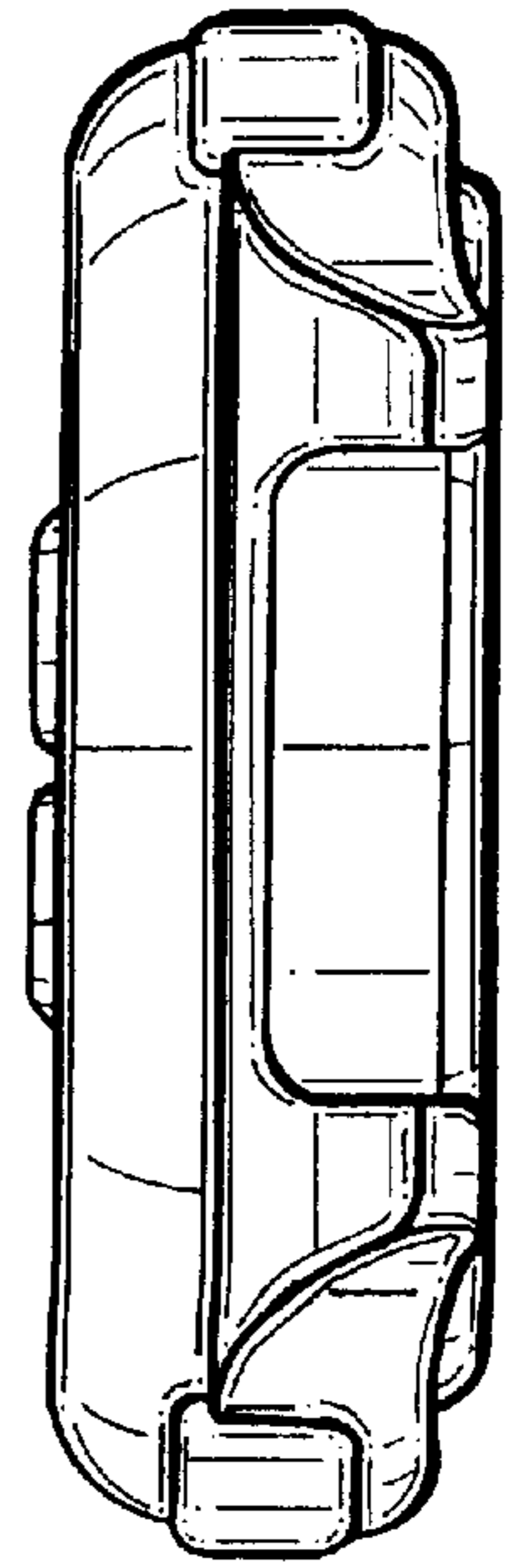


FIG. 6

