



US00D421722S

United States Patent [19] Chang

[11] **Patent Number: Des. 421,722**

[45] **Date of Patent: ** Mar. 21, 2000**

[54] **ROCKING CLOCK**

2,749,704 6/1956 Heikkila .

[75] Inventor: **Eddie Chang**, Kowloon, The Hong Kong Special Administrative Region of the People's Republic of China

Primary Examiner—Nelson C. Holtje
Attorney, Agent, or Firm—Smith, Gambrell & Russell, LLP

[73] Assignee: **Man Nin Shing Company Limited**, Hong Kong, The Hong Kong Special Administrative Region of the People's Republic of China

[57] **CLAIM**

The ornamental design for a rocking clock, as shown and described.

[**] Term: **14 Years**

DESCRIPTION

[21] Appl. No.: **29/105,174**

FIG. 1 is a front perspective view of a rocking clock showing my new design;

[22] Filed: **May 19, 1999**

FIG. 2 is a front view thereof, and bottom view is the same as the top one;

[51] **LOC (6) Cl.** **10-01**

FIG. 3 is a right side view thereof;

[52] **U.S. Cl.** **D10/26**

FIG. 4 is a top plan view thereof;

[58] **Field of Search** D10/1-40, 122-132;
368/276-277, 285, 316-317

FIG. 5 is a rear view thereof;

FIG. 6 is a left side view thereof; and,

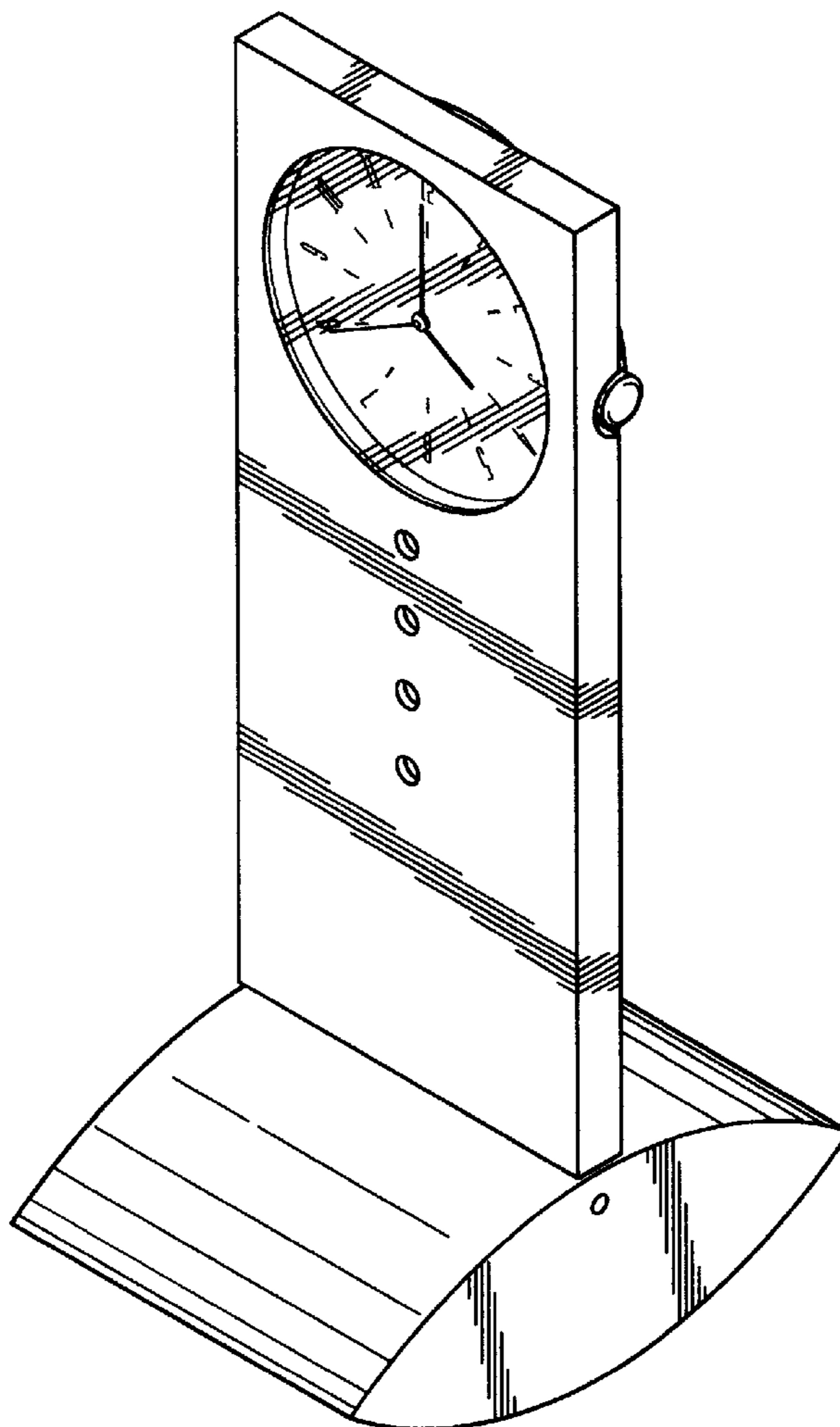
FIG. 7 is a bottom plan view thereof.

[56] **References Cited**

U.S. PATENT DOCUMENTS

D. 345,925 4/1994 Peersmann D10/26

1 Claim, 3 Drawing Sheets



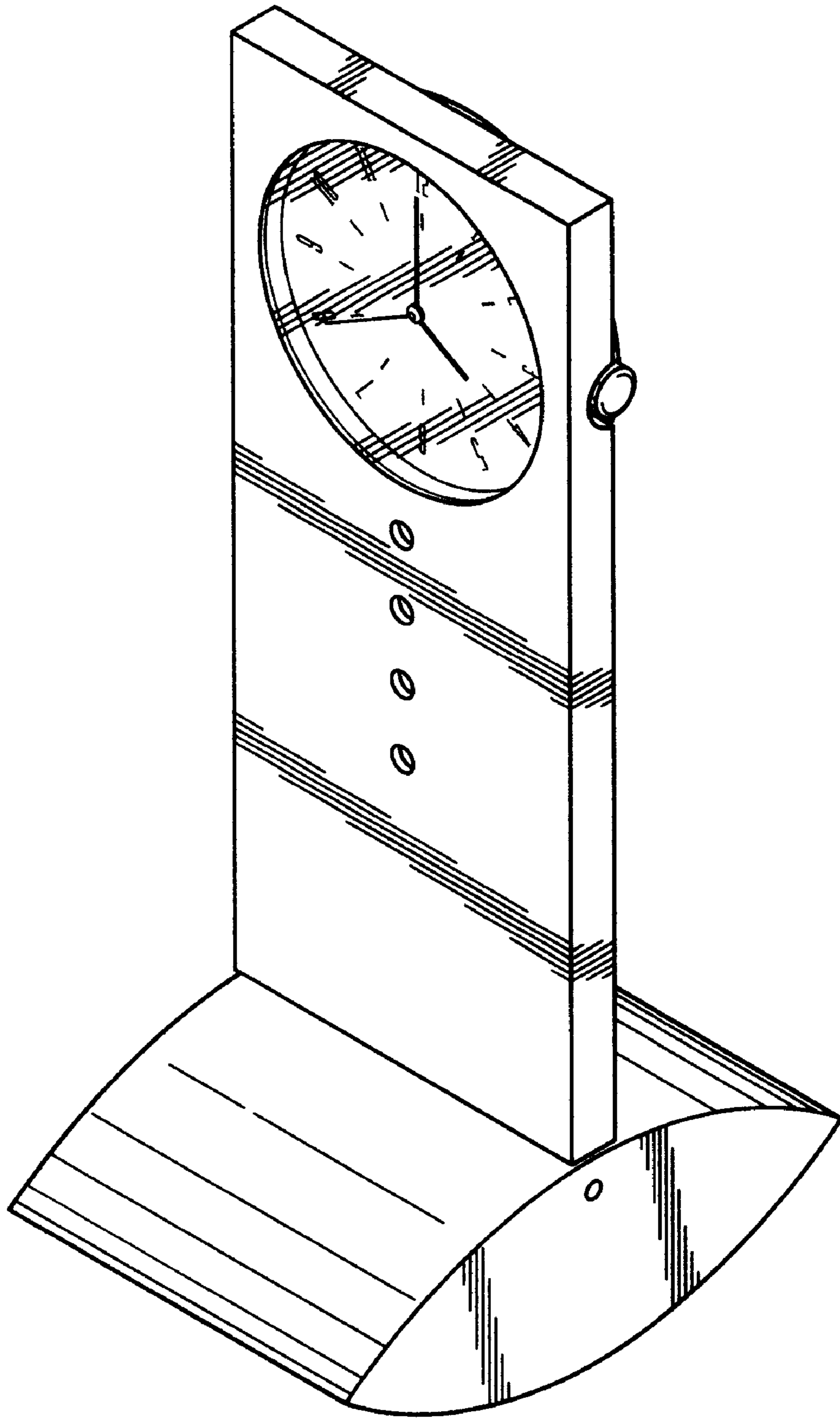


FIG. 1

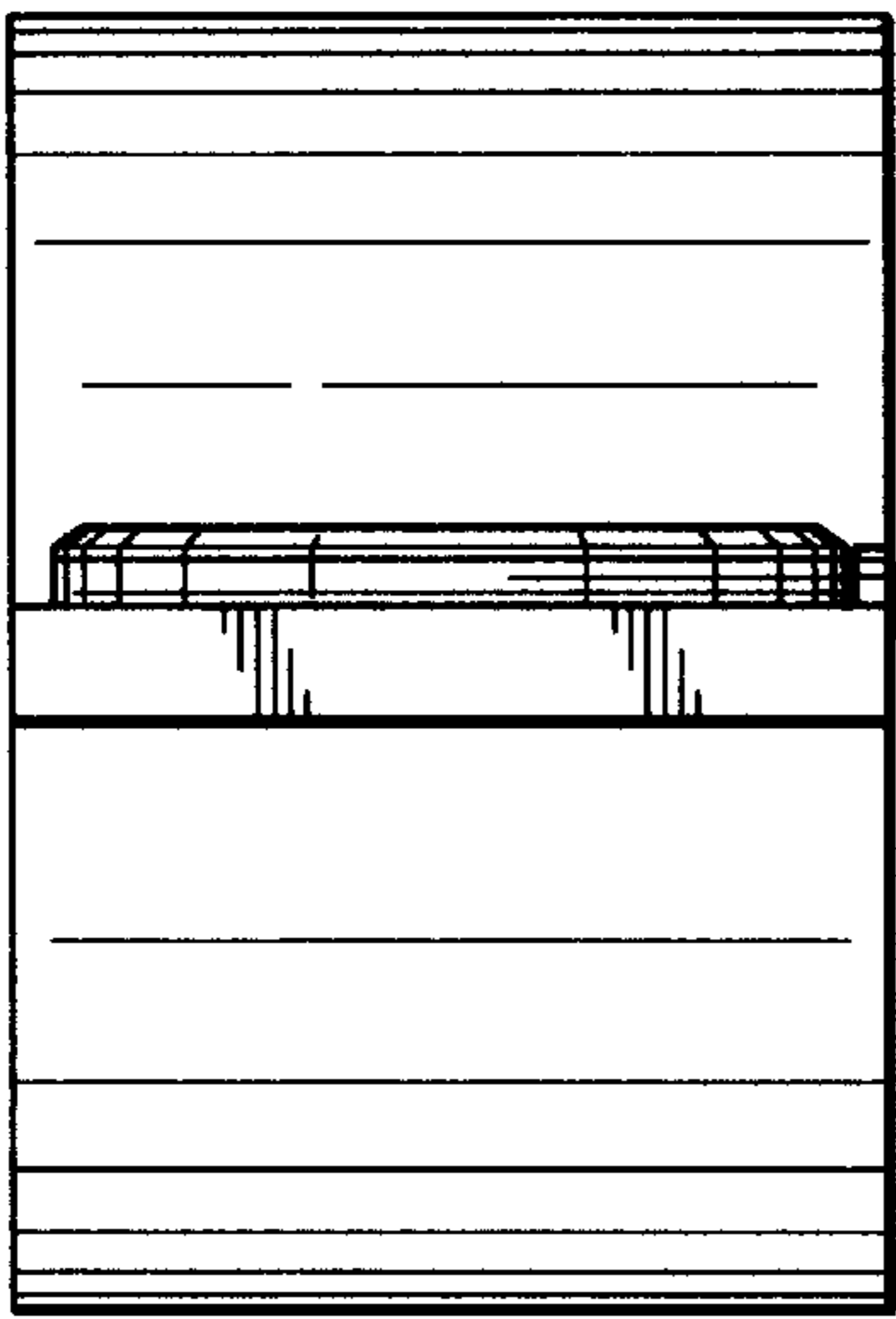


FIG. 4

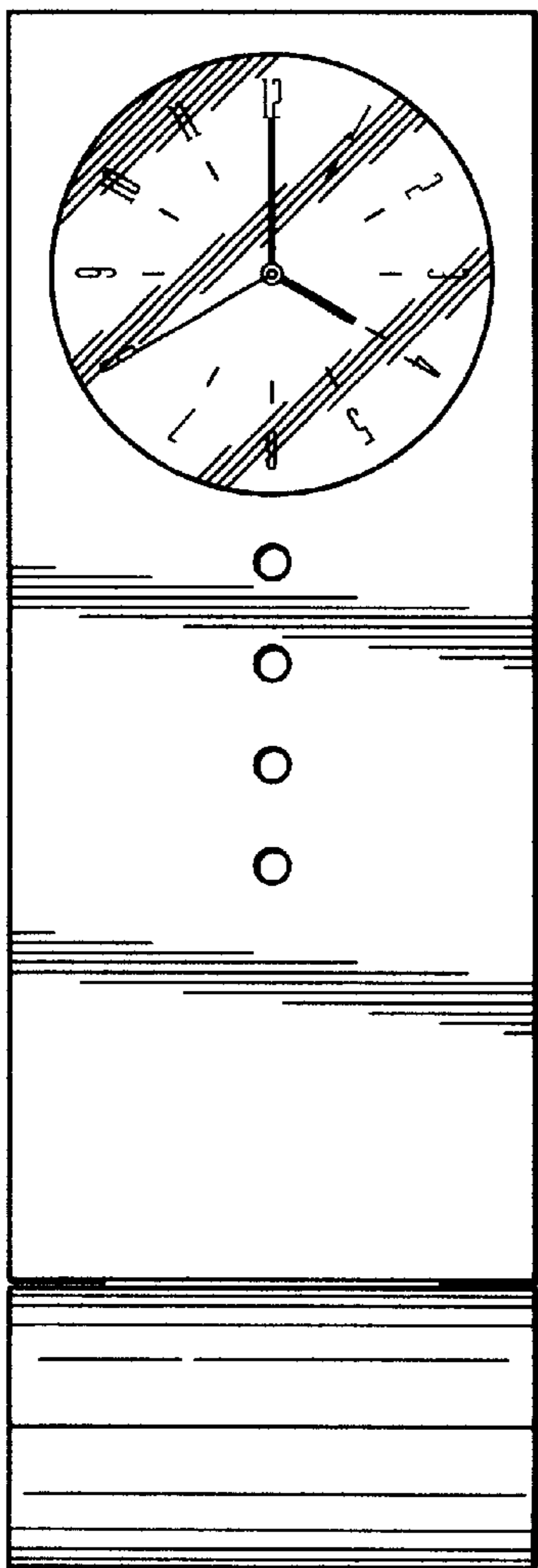


FIG. 2

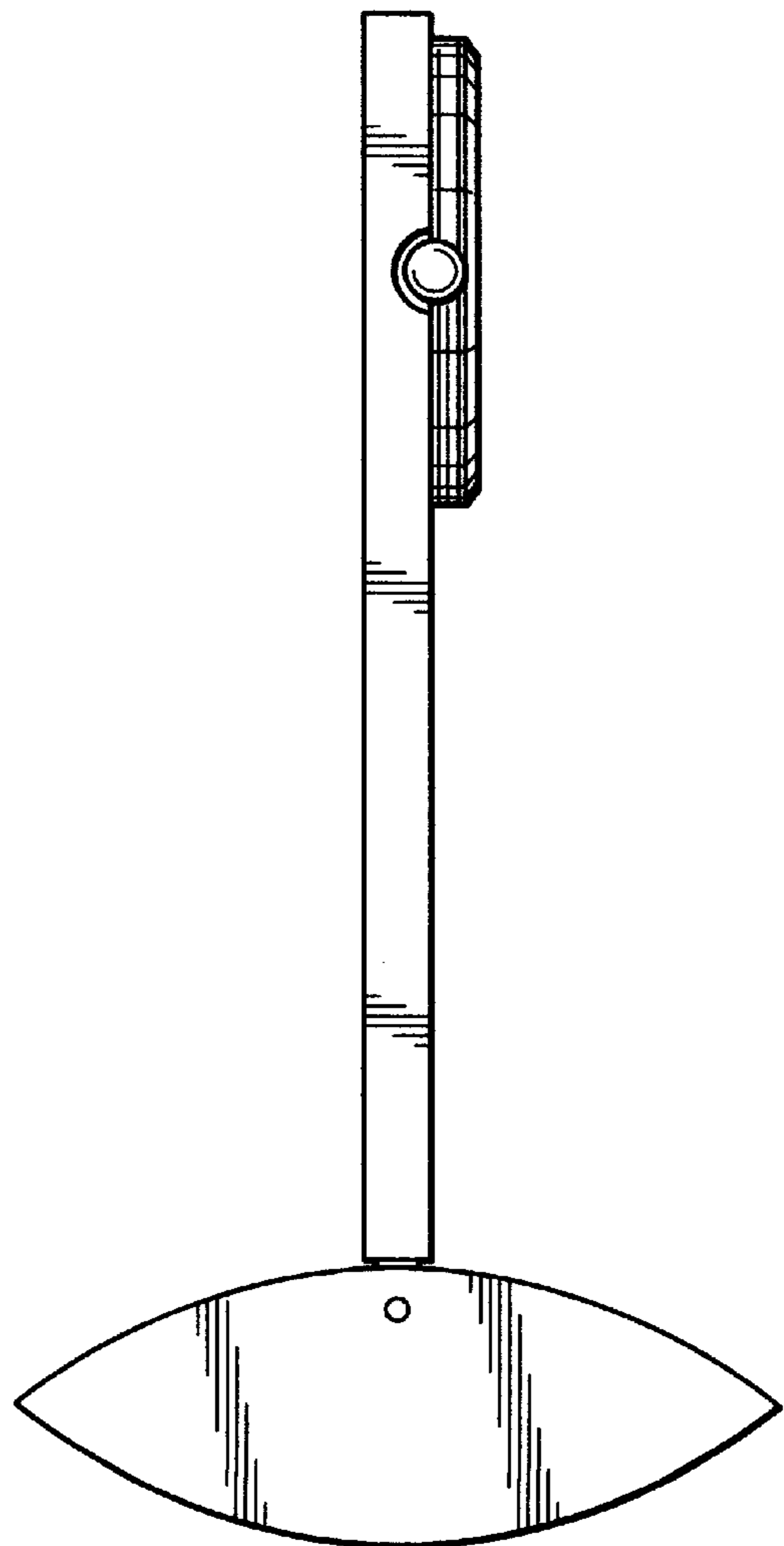


FIG. 3

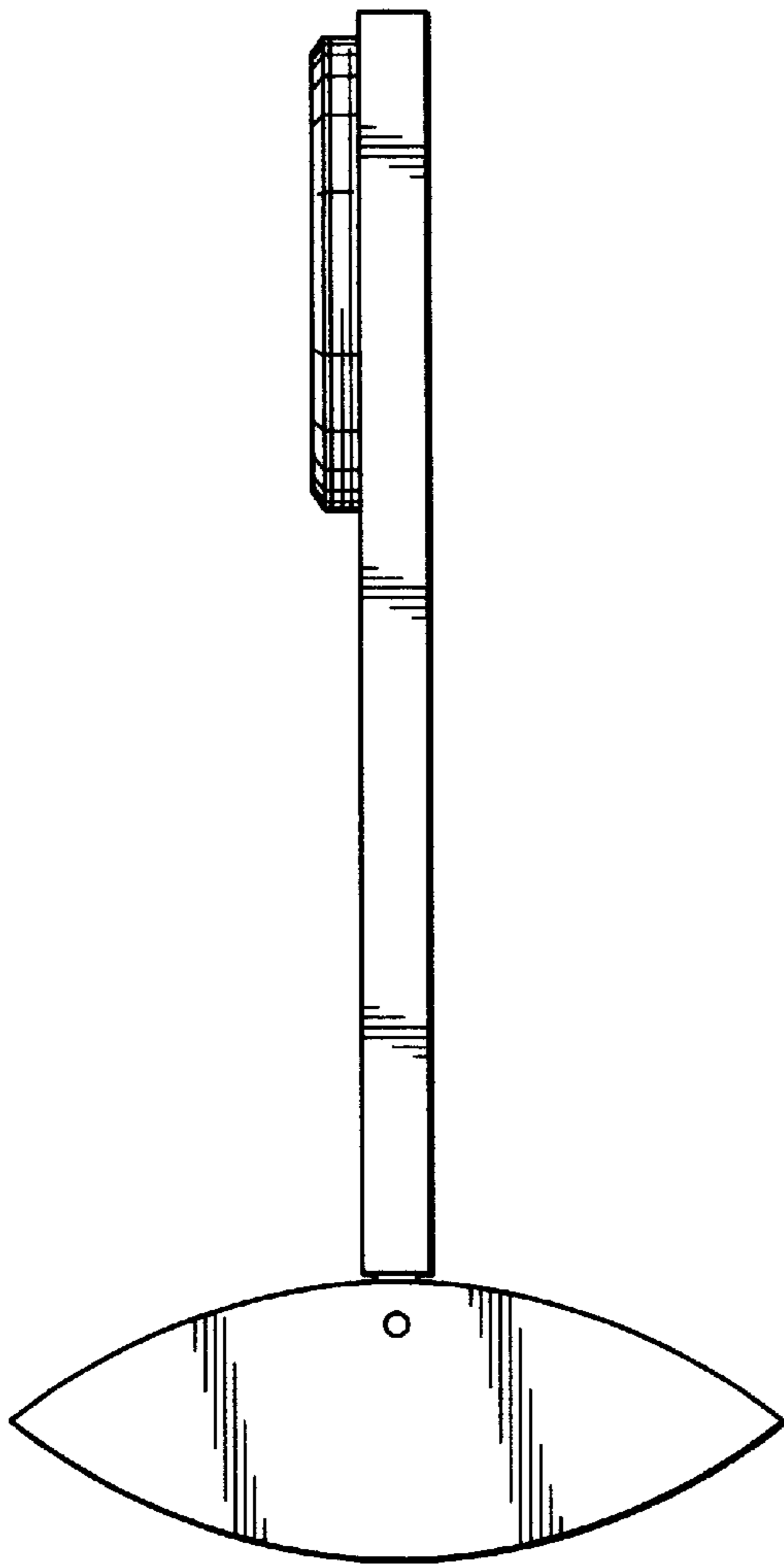


FIG. 6

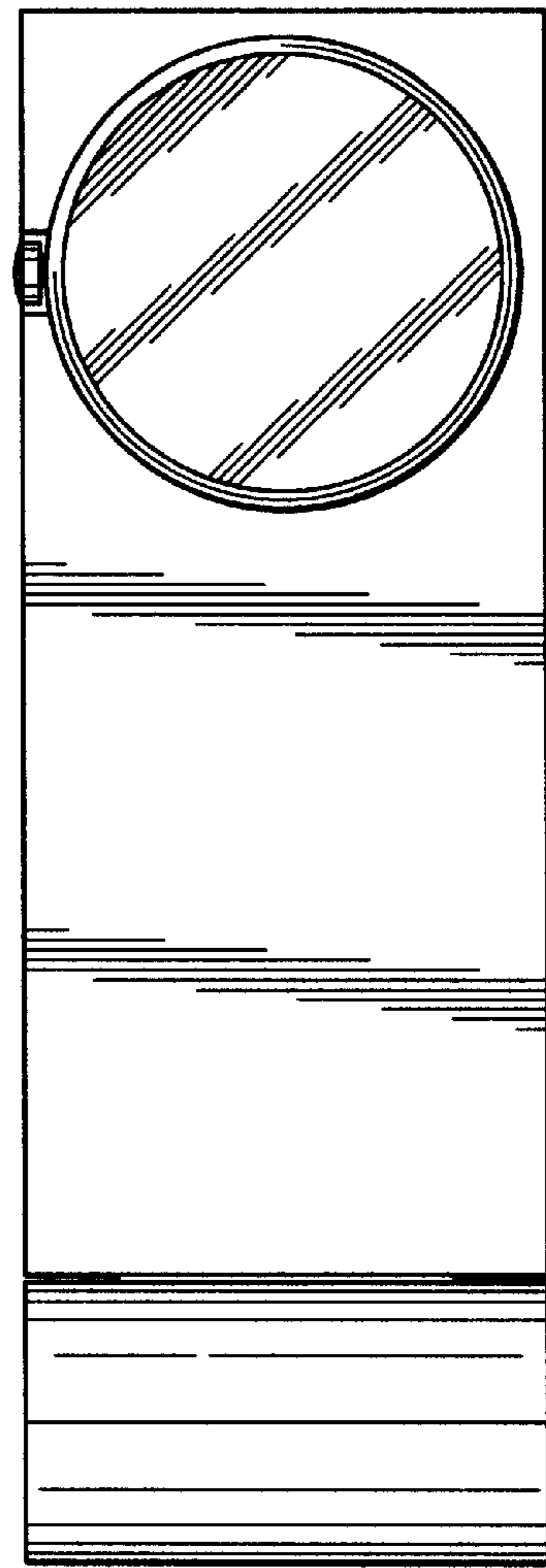


FIG. 5

FIG. 7

