



US00D421715S

United States Patent [19]
Won

[11] **Patent Number: Des. 421,715**

[45] **Date of Patent: ** Mar. 21, 2000**

[54] **HOLDING CLAMP FOR THE WIRES OF A SOCKET**

5,331,725 7/1994 Chou 24/545

Primary Examiner—Holly Baynham

[76] Inventor: **Jen-Chen Won**, P.O. Box 96-405,
Taipei 106, Taiwan

[57] **CLAIM**

[**] Term: **14 Years**

The ornamental design holding clamp for the wires of a socket, as shown.

[21] Appl. No.: **29/107,086**

DESCRIPTION

[22] Filed: **Jun. 24, 1999**

FIG. 1 is a perspective view of holding clamp for the wires of a socket showing my new design; the broken lines are for environmental purposes only and form no part of the claimed design;

[51] **LOC (6) Cl.** **08-08**

[52] **U.S. Cl.** **D8/395**

[58] **Field of Search** D8/356, 394-396;
174/135, 72 A; 24/130, 115 R, 129 A, 336,
339

FIG. 2 is a perspective view;

FIG. 3 is a front elevational view;

FIG. 4 is a rear elevational view;

FIG. 5 is a top plan view;

FIG. 6 is a bottom plan view;

FIG. 7 is a left side elevational view; and,

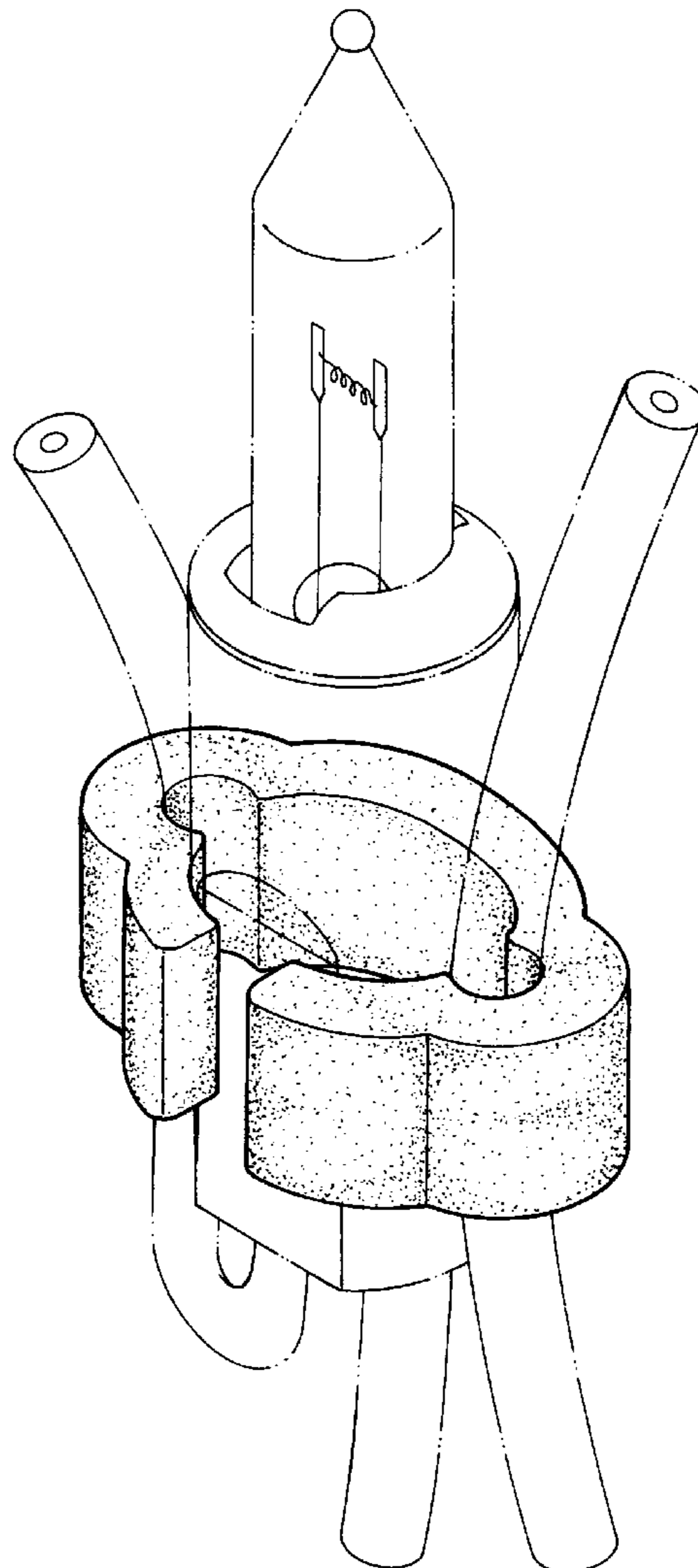
FIG. 8 is a right side elevational view.

[56] **References Cited**

U.S. PATENT DOCUMENTS

D. 389,050 1/1998 Li D8/395
4,406,042 9/1983 McPhee 24/130

1 Claim, 3 Drawing Sheets



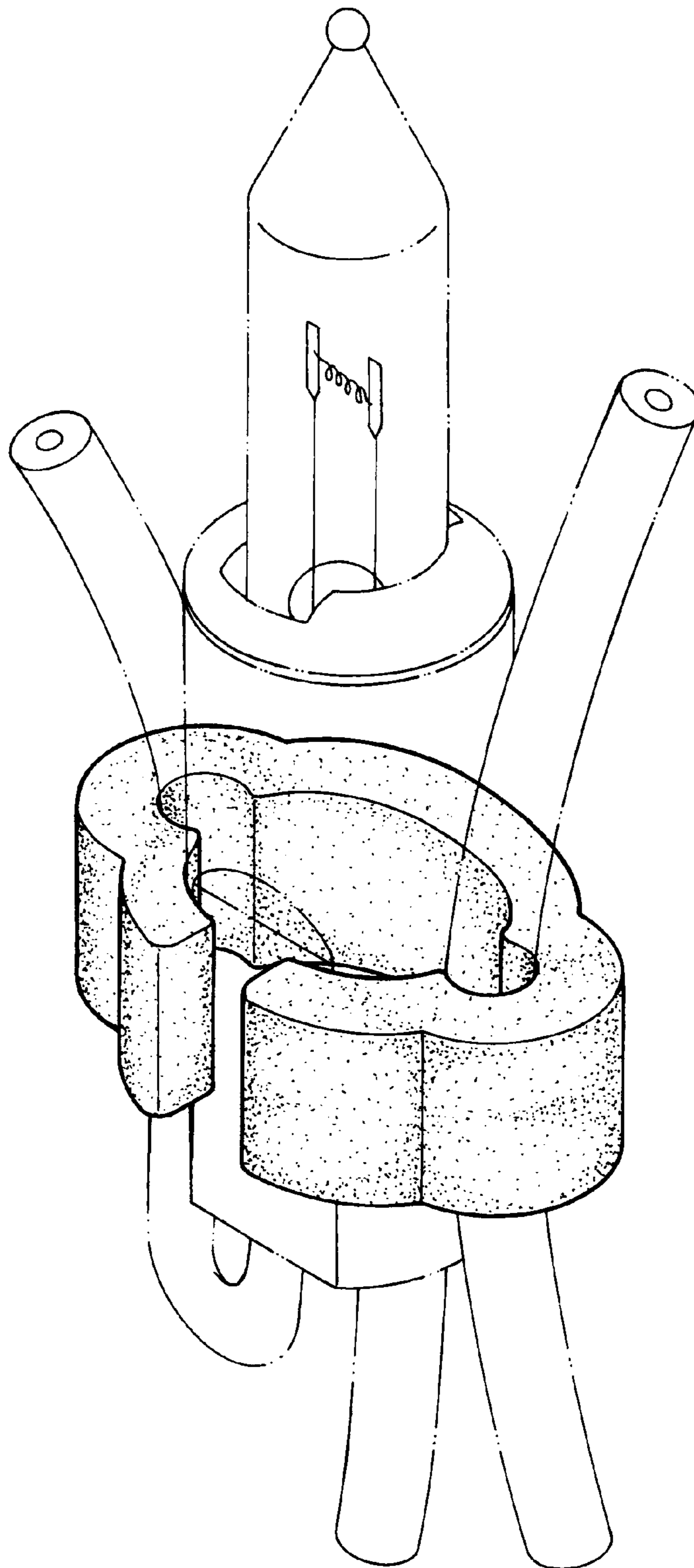


FIG. 1

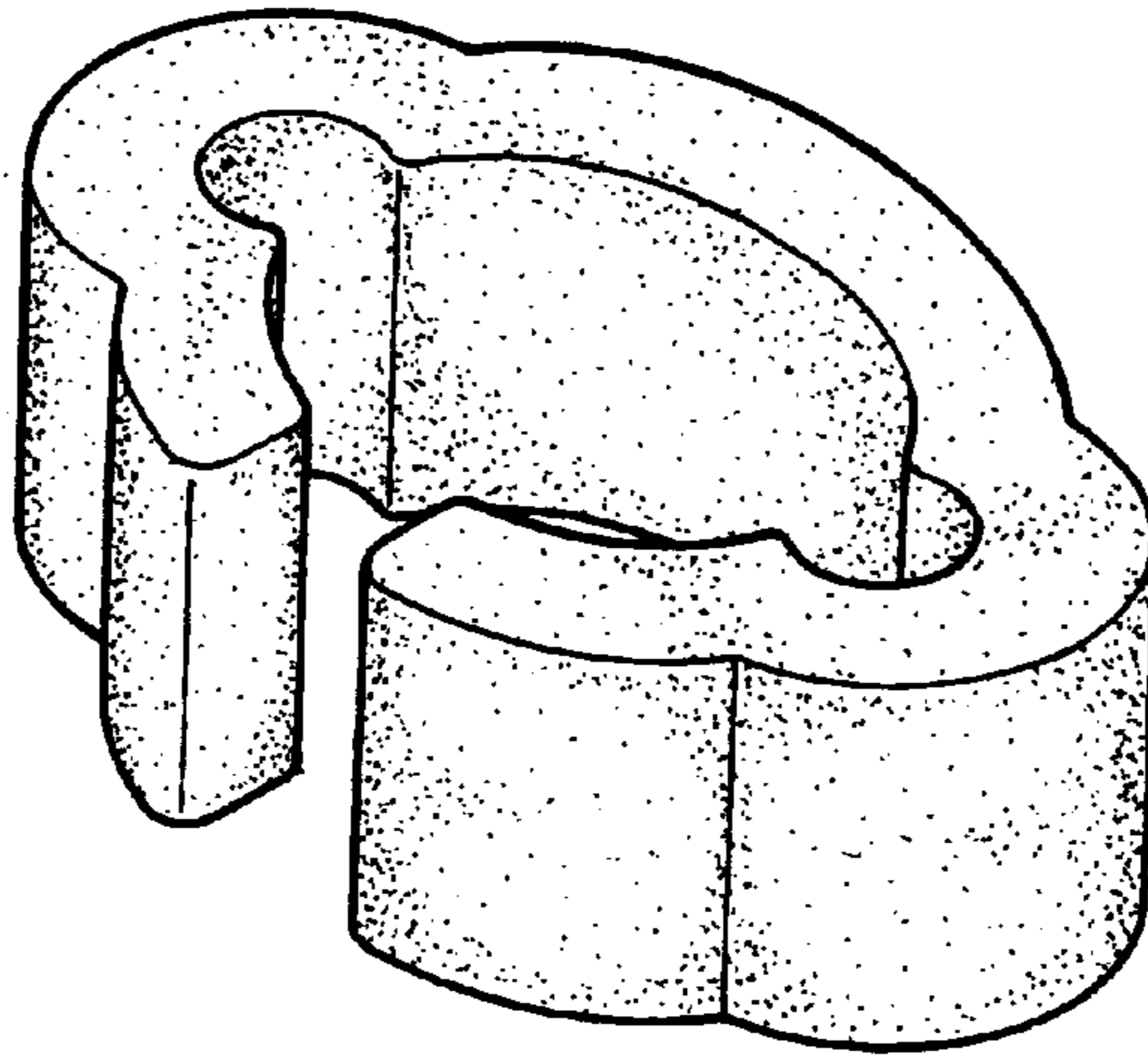


FIG. 2

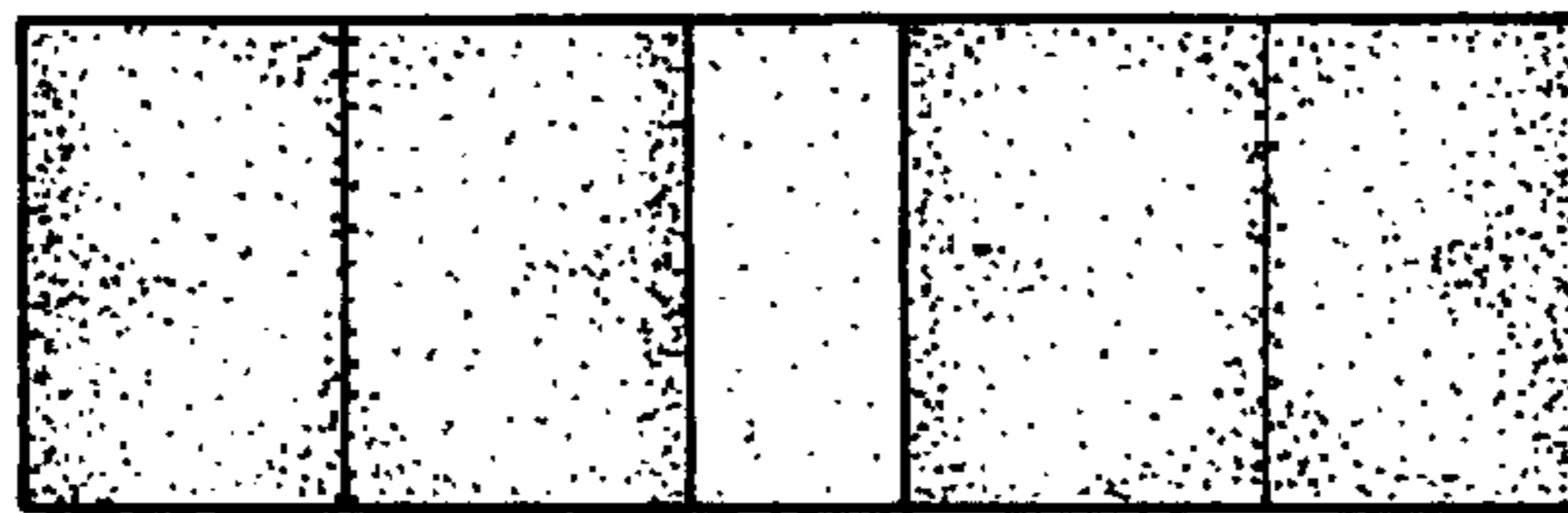


FIG. 3

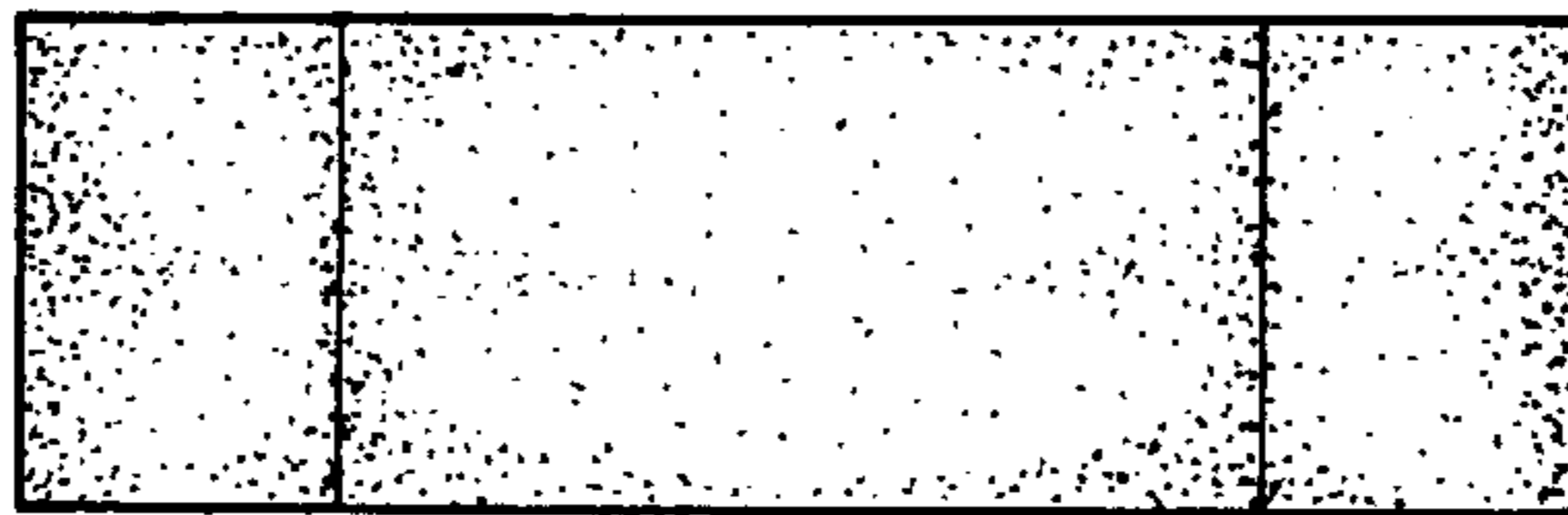


FIG. 4

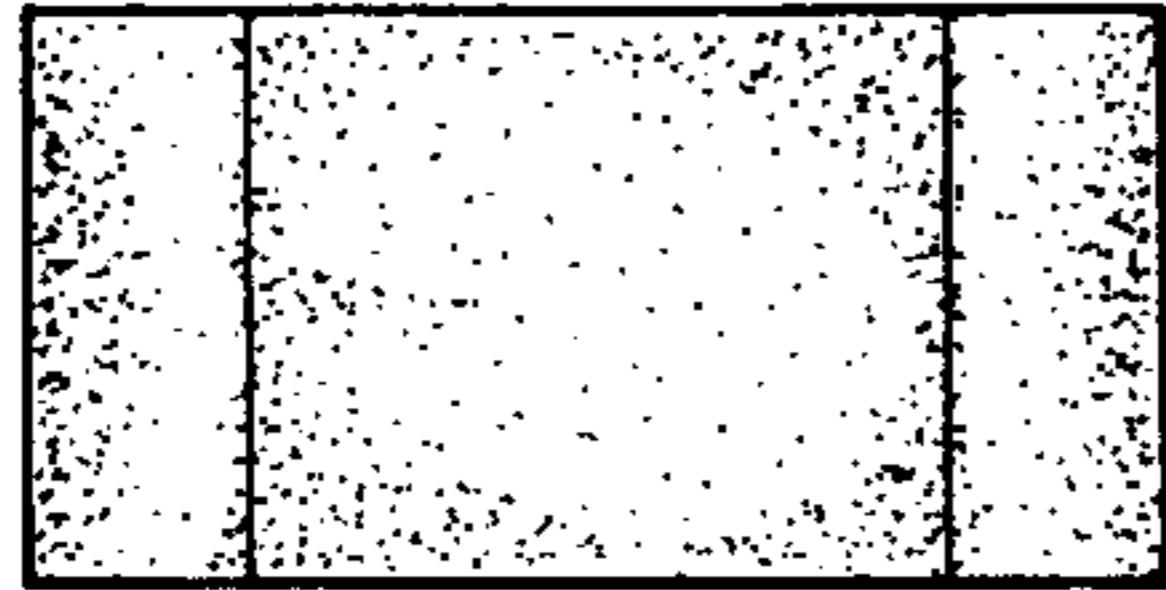


FIG. 5

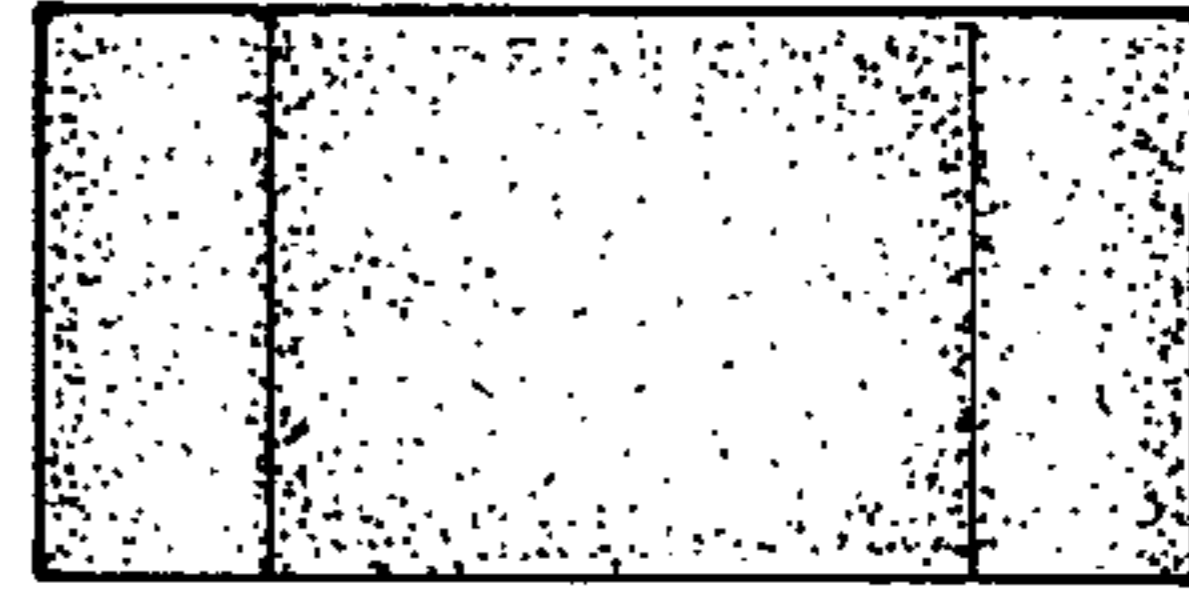


FIG. 6

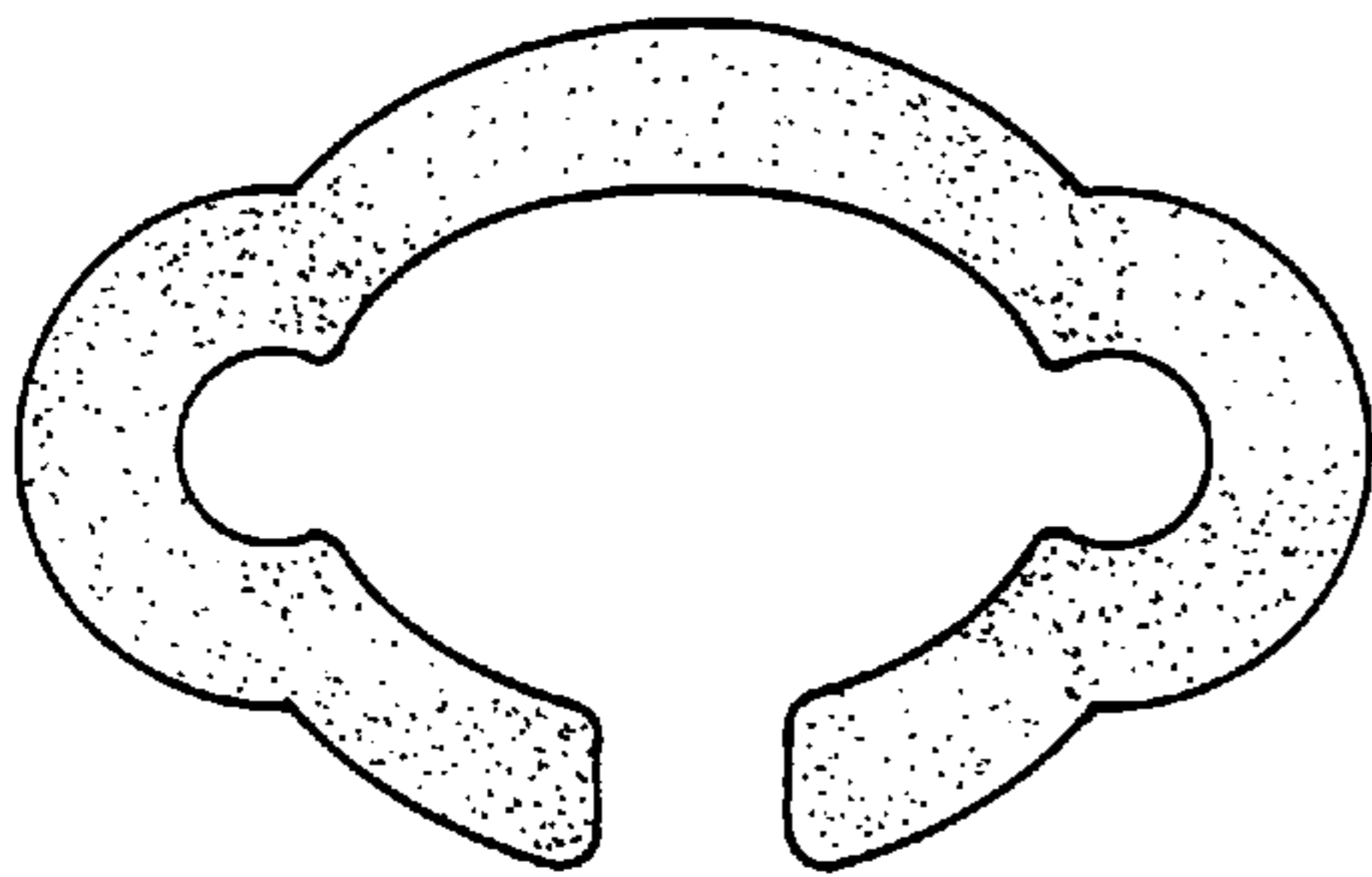


FIG. 7

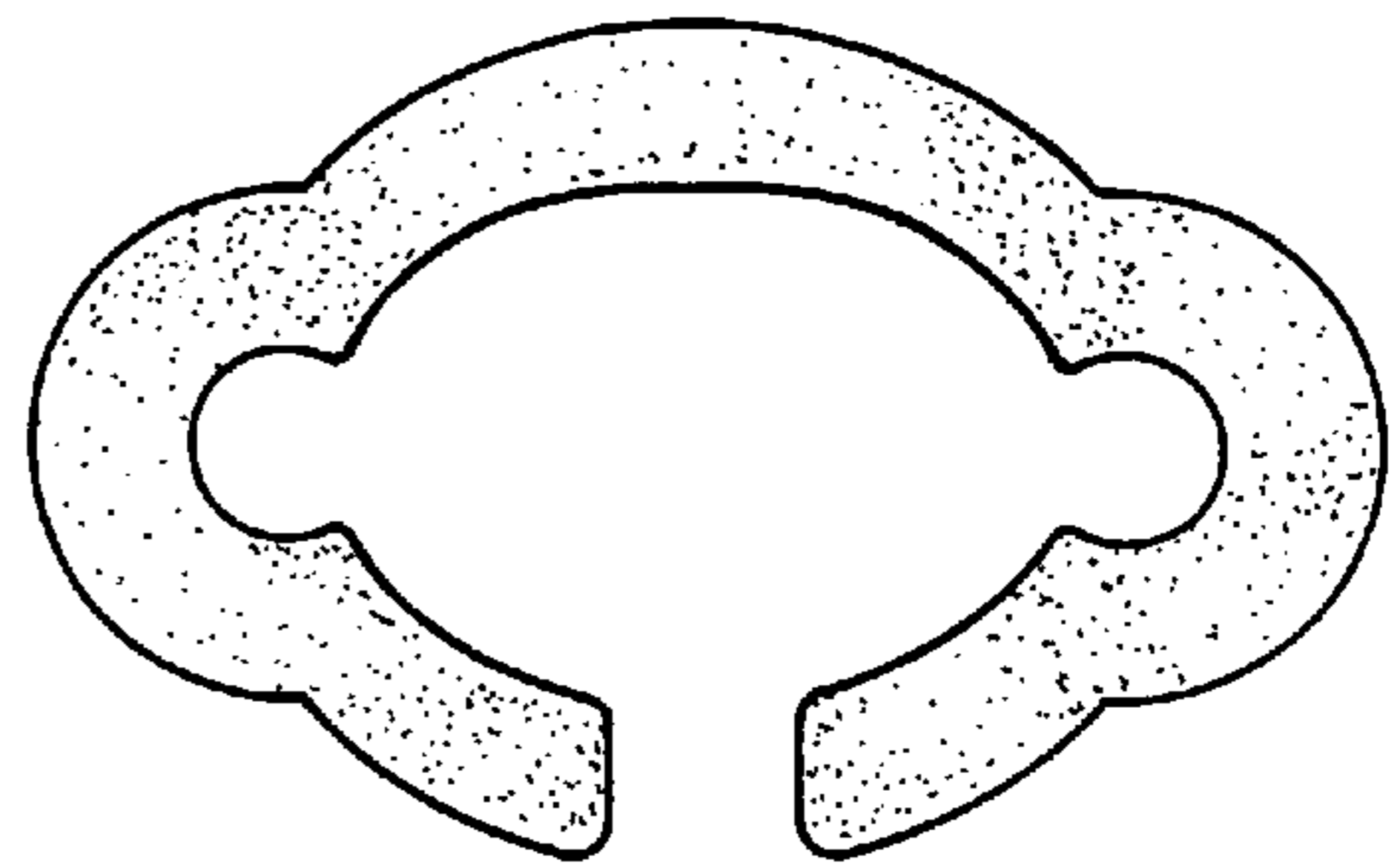


FIG. 8