



US00D421714S

United States Patent [19]
Moscovitch et al.

[11] **Patent Number: Des. 421,714**
[45] **Date of Patent: ** Mar. 21, 2000**

[54] **CATCH**

[75] Inventors: **Jerry Moscovitch**, 59 Cowan Avenue,
Toronto, Ontario, Canada, M6K 2N1;
Tri N’Guyen, Nepean, Canada

[73] Assignee: **Jerry Moscovitch**, Toronto, Canada

[**] Term: **14 Years**

[21] Appl. No.: **29/090,531**

[22] Filed: **Jul. 10, 1998**

[51] **LOC (6) Cl.** **08-05**

[52] **U.S. Cl.** **D8/373; D8/331**

[58] **Field of Search** **D8/330, 331, 343,**
D8/342, 354, 349, 373; 248/309.1, 317,
201, 313, 214

[56] **References Cited**

U.S. PATENT DOCUMENTS

D. 310,478	9/1990	Lang	D8/373
D. 357,405	4/1995	Philippi	D8/373
4,467,925	8/1984	Ratzloff et al.	248/214 X
5,733,414	3/1998	Remmers	248/201
5,792,994	9/1998	Akahane	248/309.1 X

Primary Examiner—Susan J. Lucas
Assistant Examiner—Jennifer Rivard

[57] **CLAIM**

The ornamental design for a catch, as shown and described.

DESCRIPTION

FIG. 1 is a perspective view from above and to one side of a catch showing my design;

FIG. 2 is a perspective view from below and to an opposite side of the catch;

FIG. 3 is a back elevation view of the catch;

FIG. 4 is a front elevation view of the catch;

FIG. 5 is a left side elevation view of the catch;

FIG. 6 is a top plan view of the catch;

FIG. 7 is a bottom plan view of the catch;

FIG. 8 is a perspective view from above and to one side of a second embodiment of the catch showing my design;

FIG. 9 is a perspective view from below and to an opposite side of the second embodiment of the catch;

FIG. 10 is a back elevation view of the second embodiment of the catch;

FIG. 11 is a front elevation view of the second embodiment of the catch;

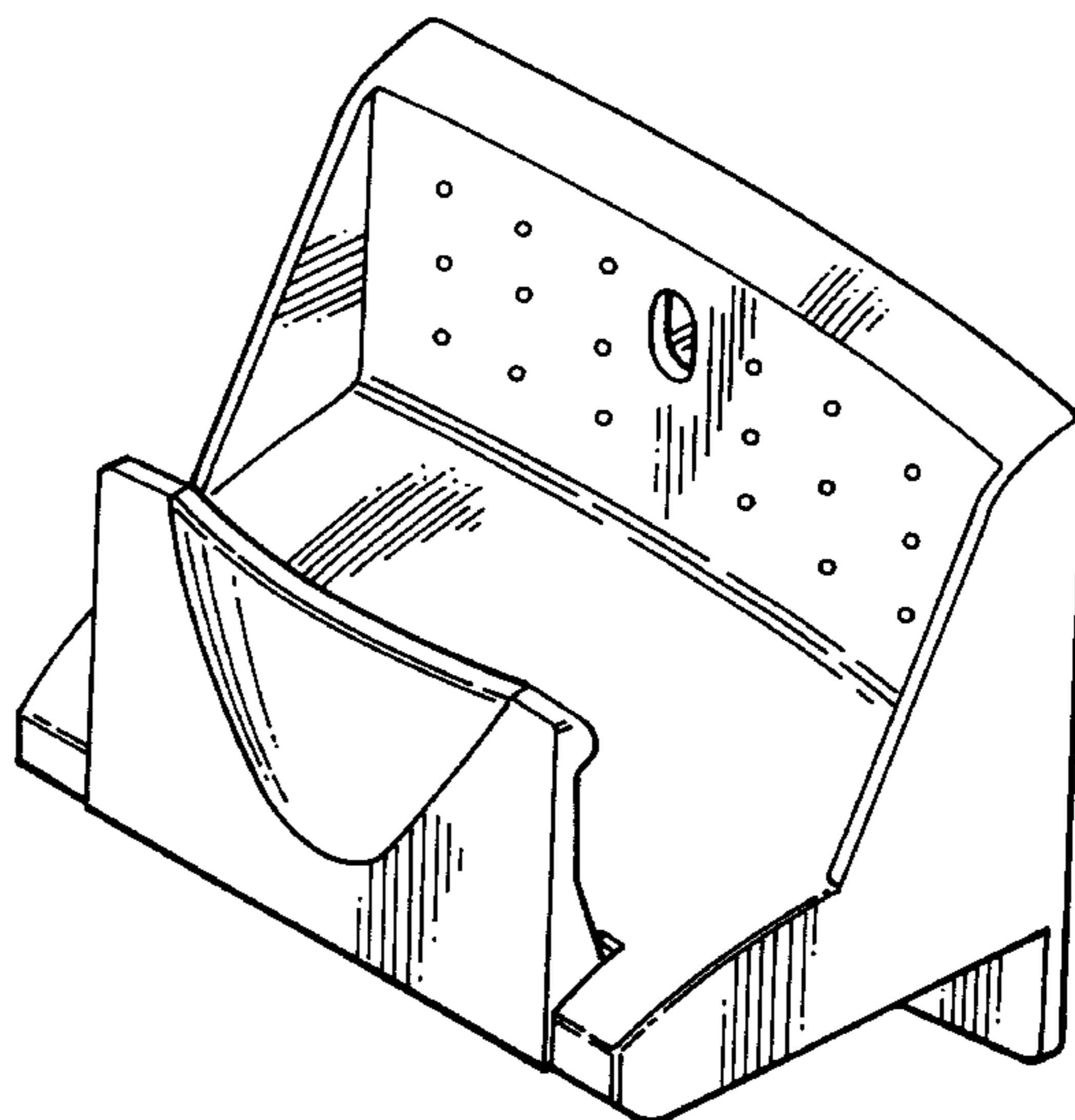
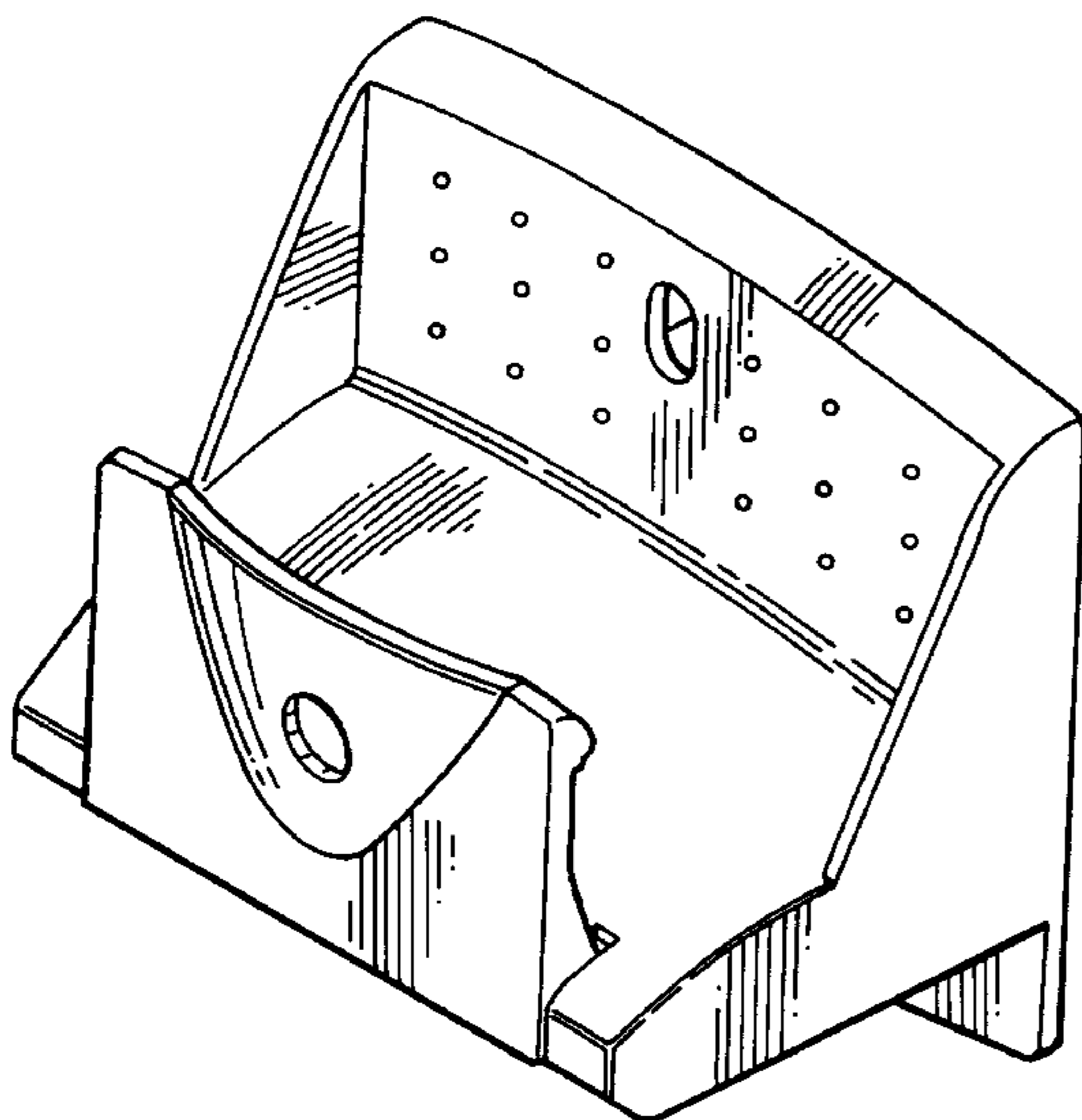
FIG. 12 is a left side elevation view of the second embodiment of the catch;

FIG. 13 is a top plan view of the second embodiment of the catch; and,

FIG. 14 is a bottom plan view of the second embodiment of the catch.

Each of the catches shown in the attached drawings is symmetric about a vertical plane extending centrally through the front and back of the catch.

1 Claim, 6 Drawing Sheets



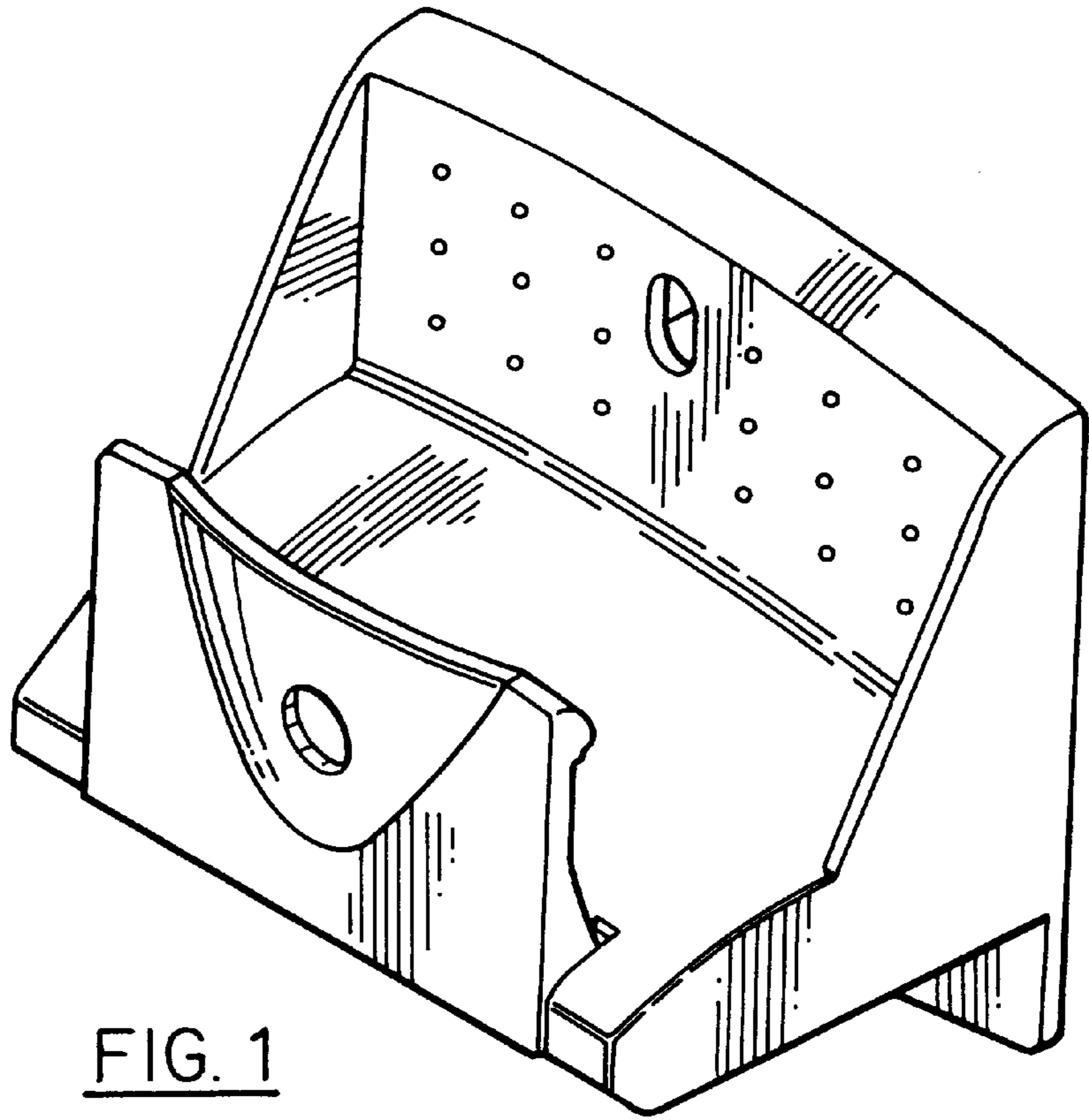


FIG. 1

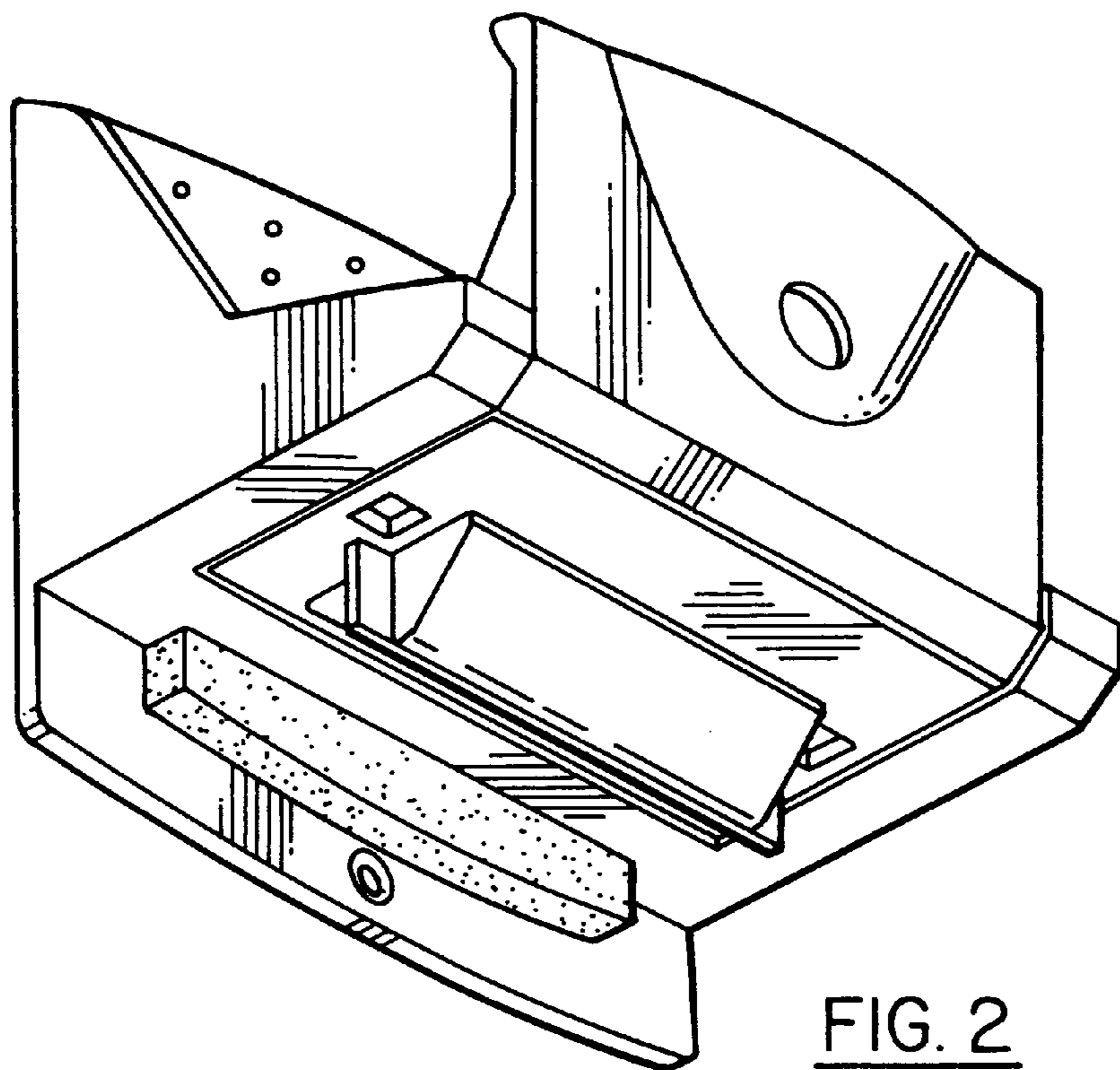


FIG. 2

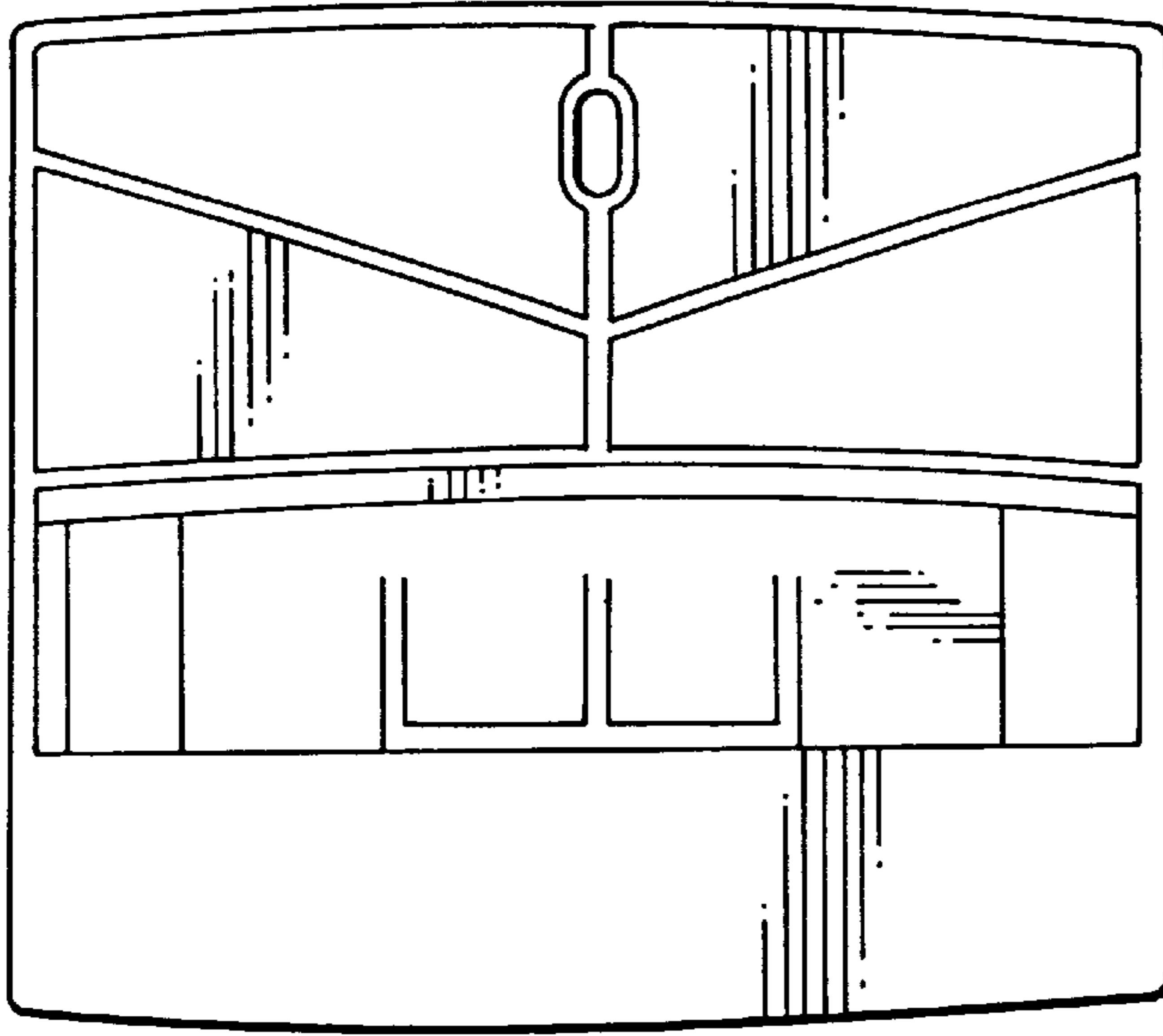


FIG. 3

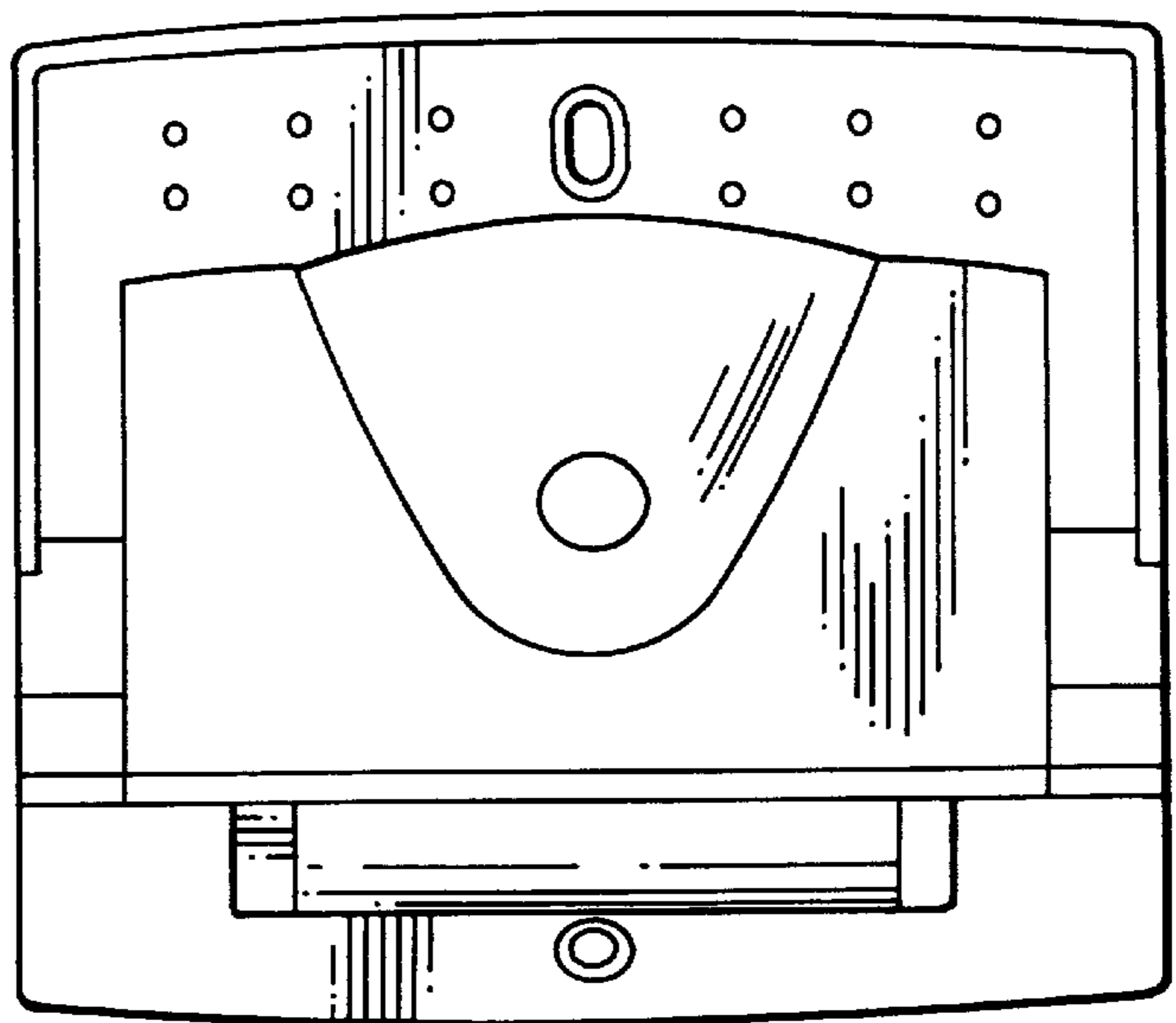


FIG. 4

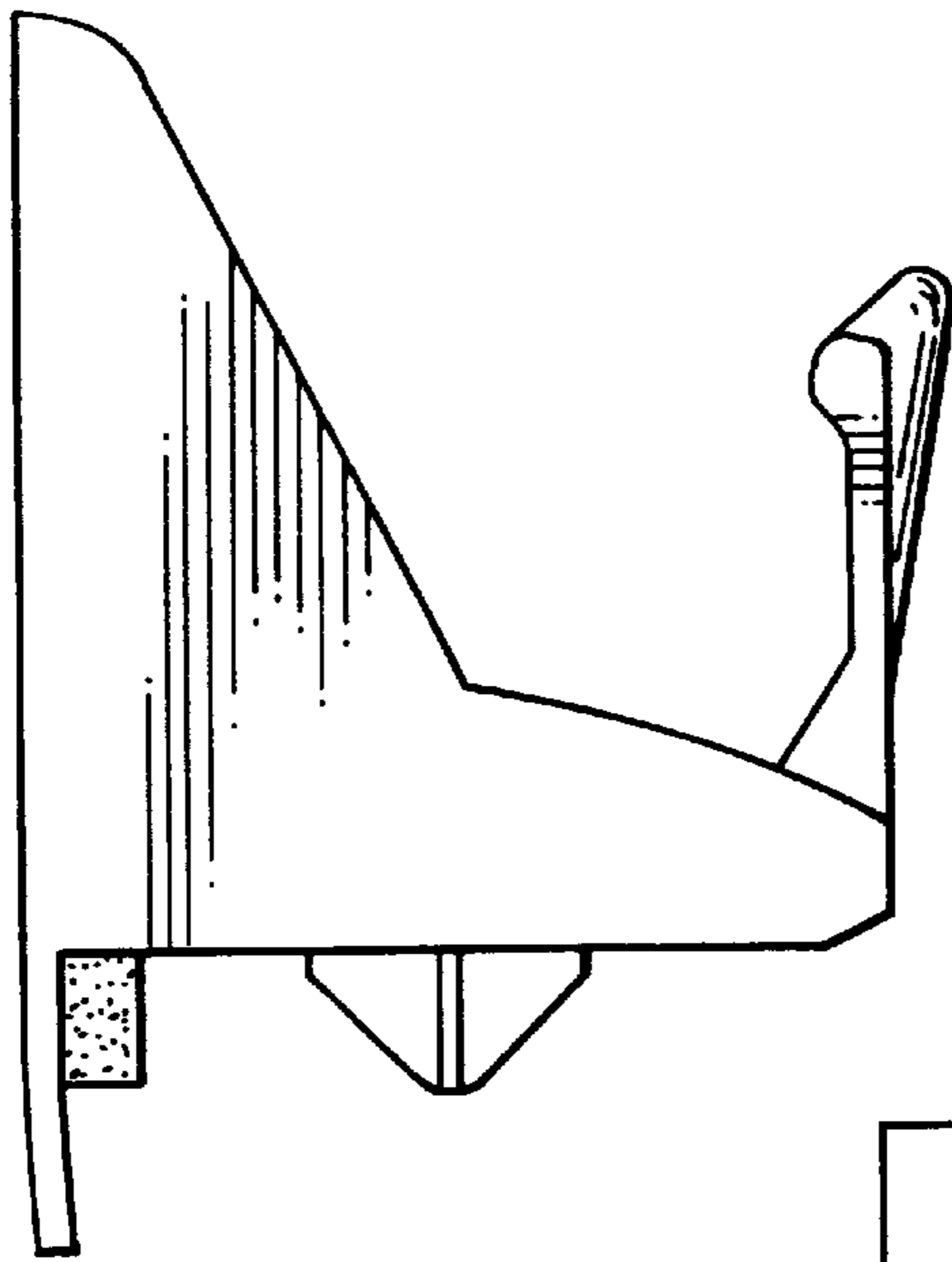


FIG. 5

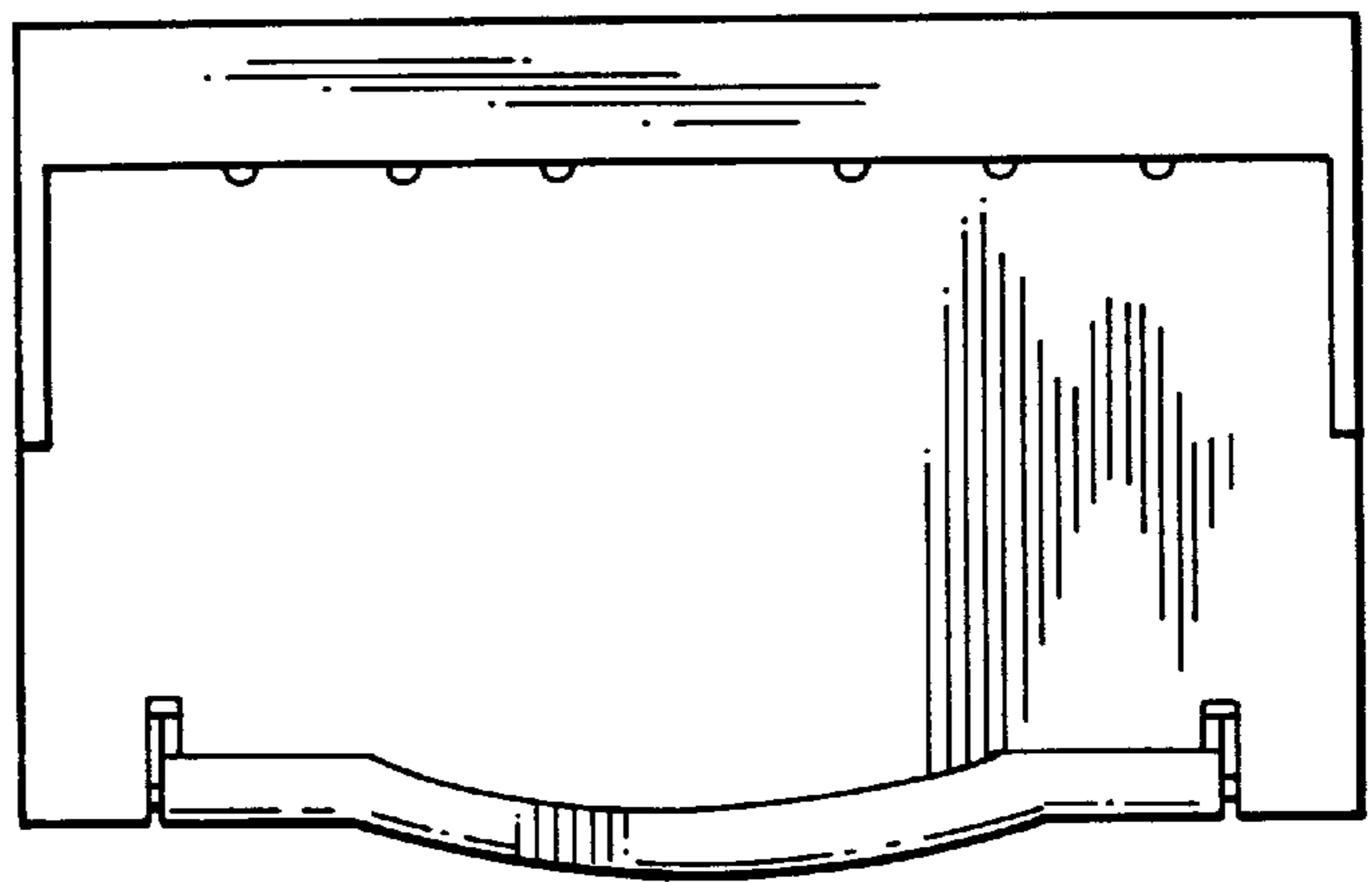


FIG. 6

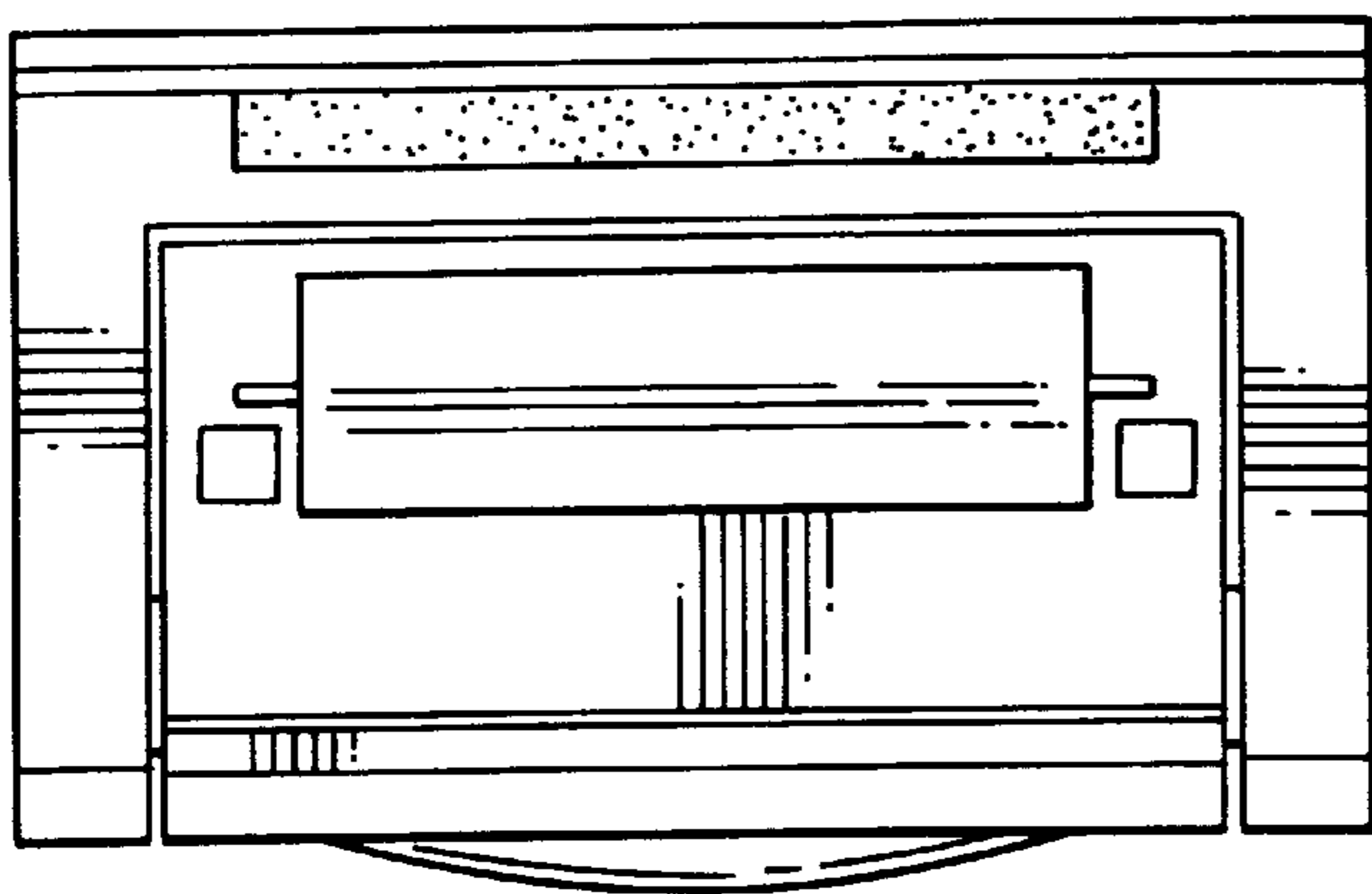
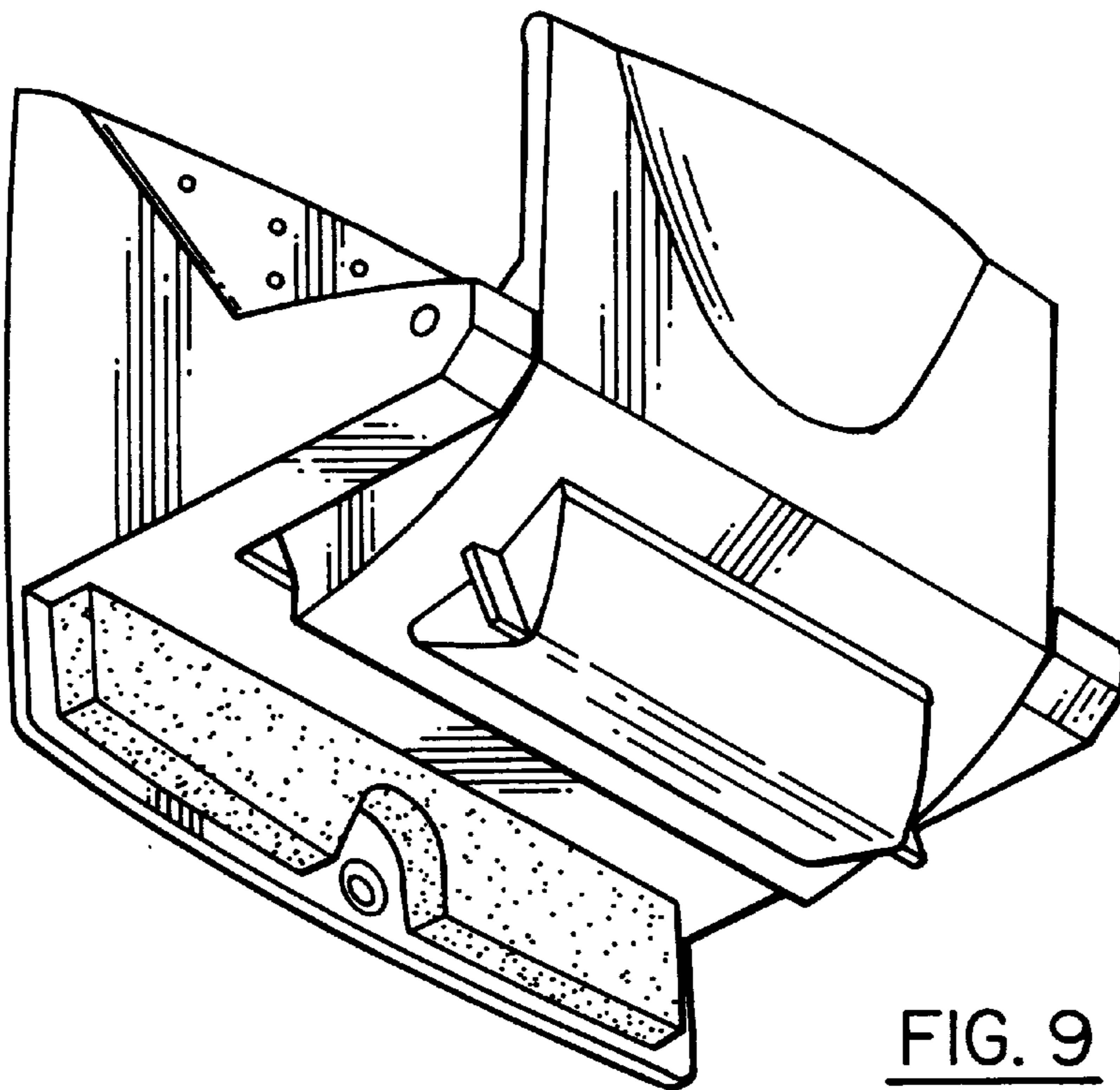
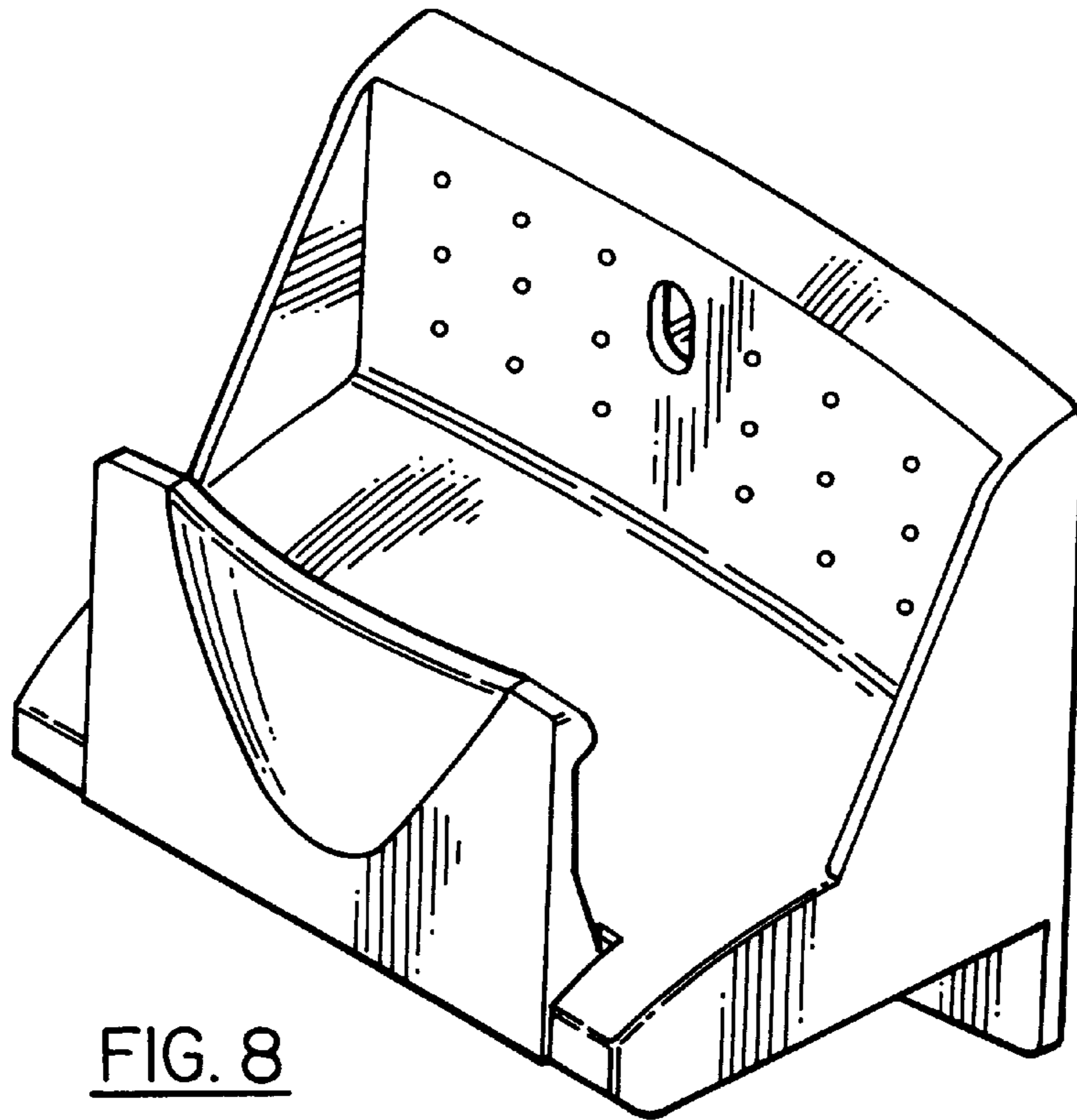


FIG. 7



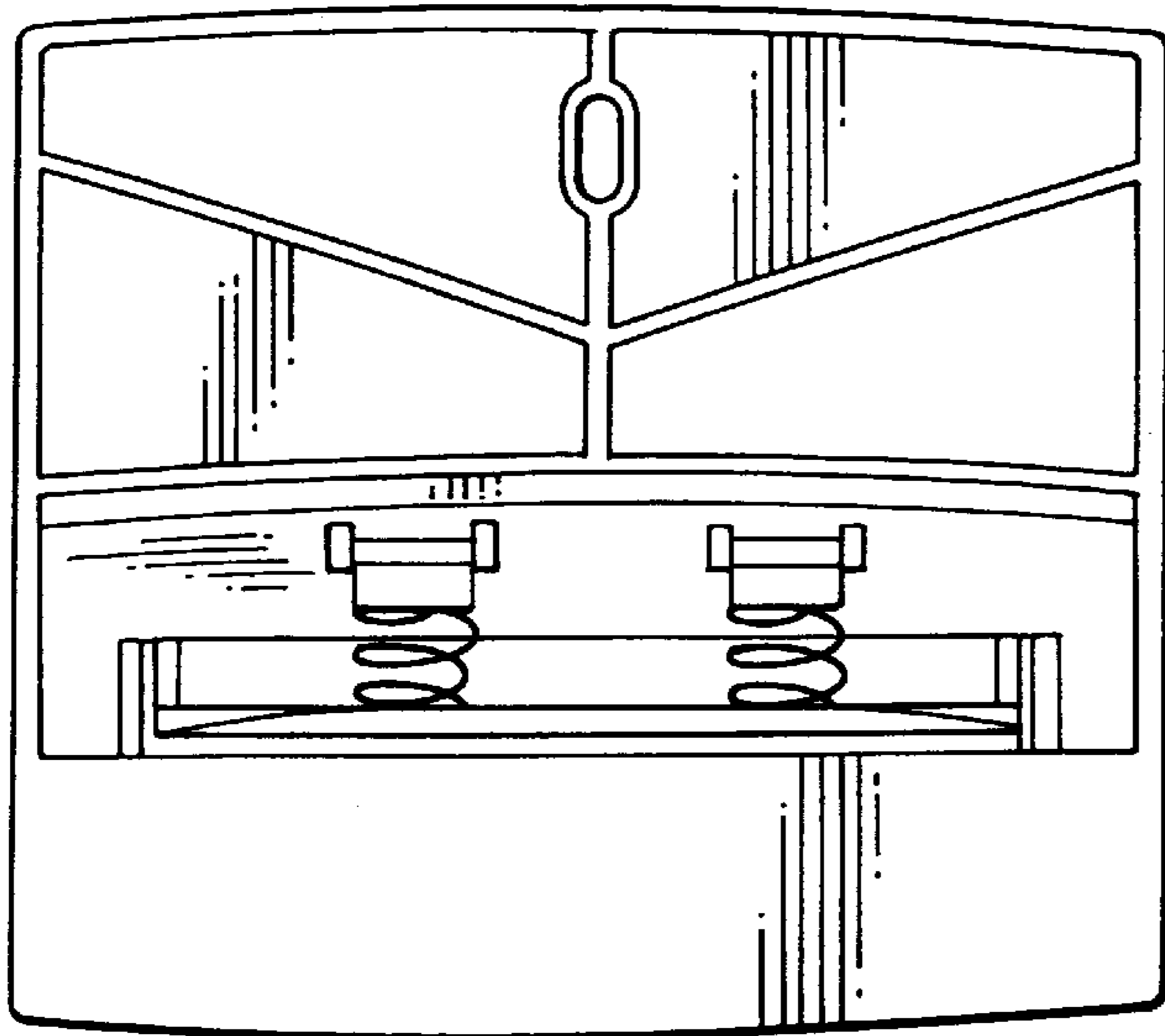


FIG. 10

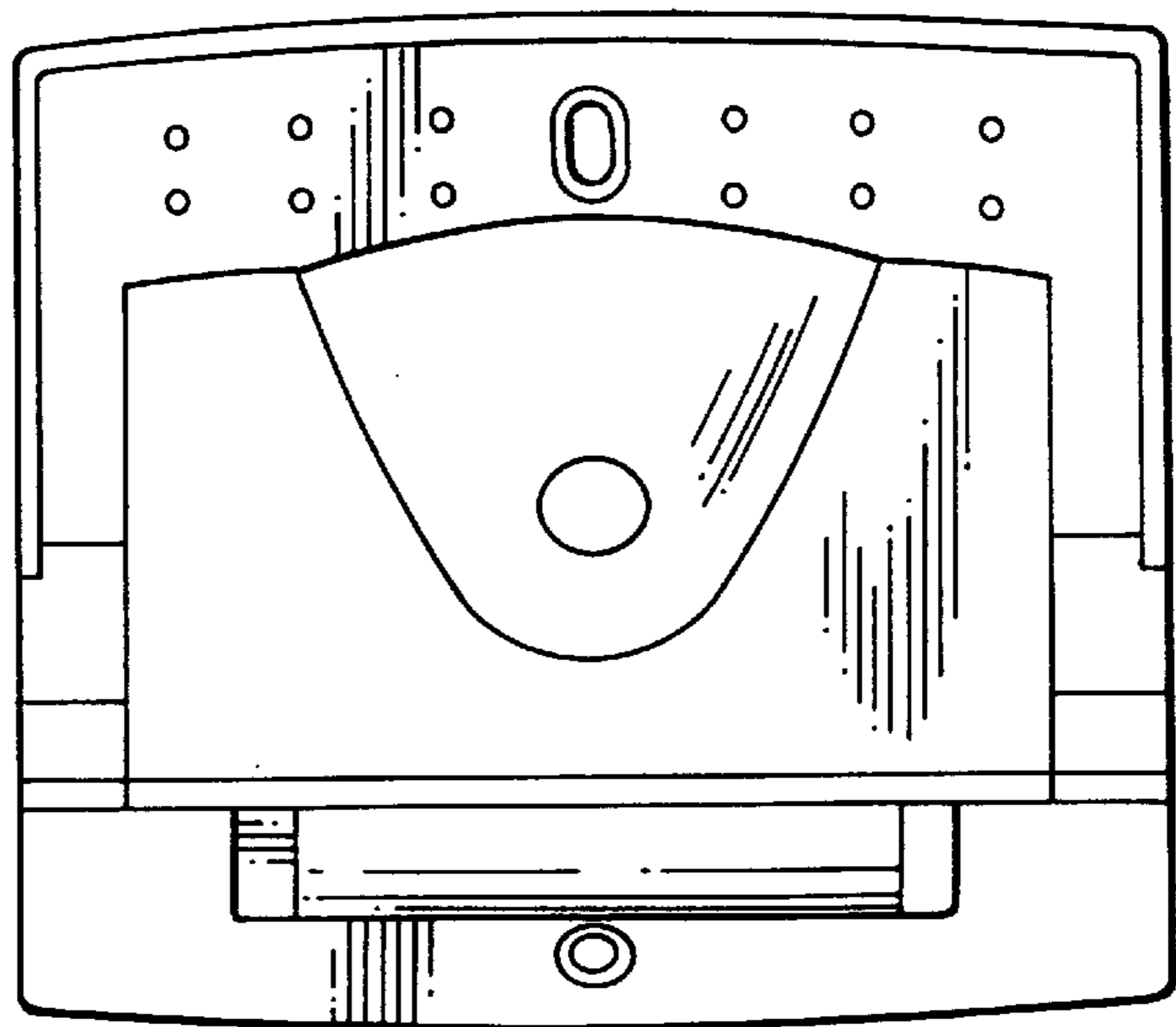


FIG. 11

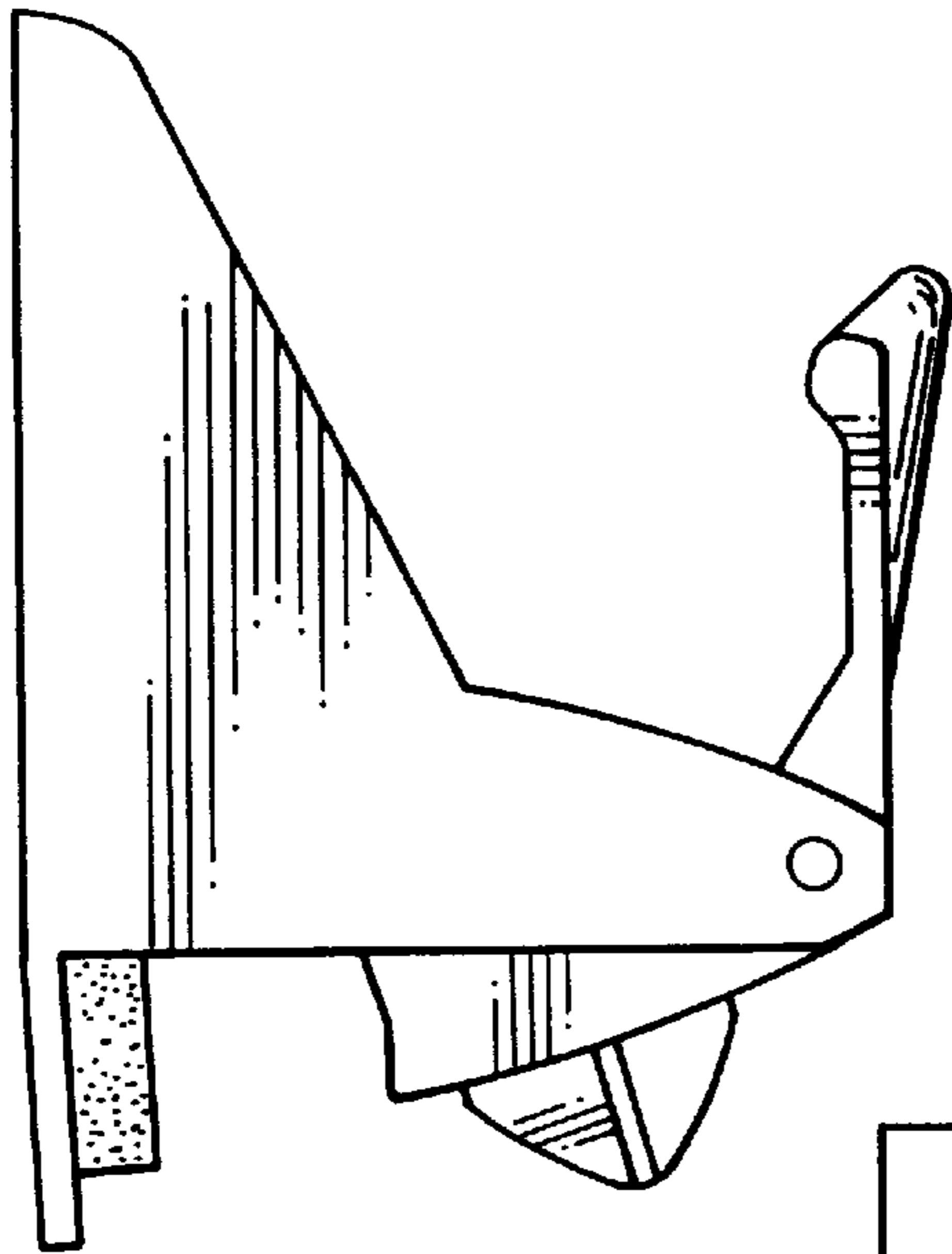


FIG. 12

FIG. 13

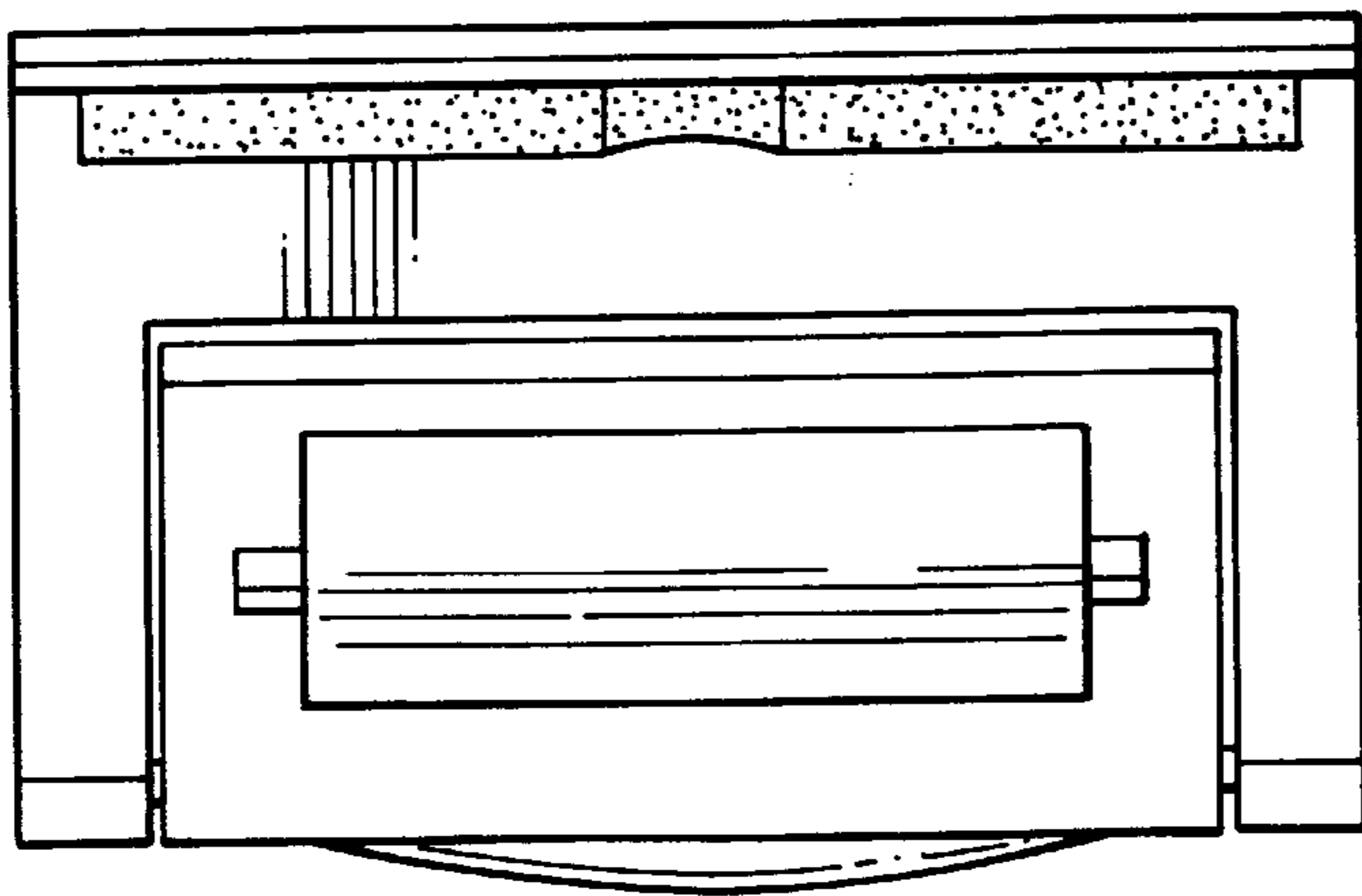
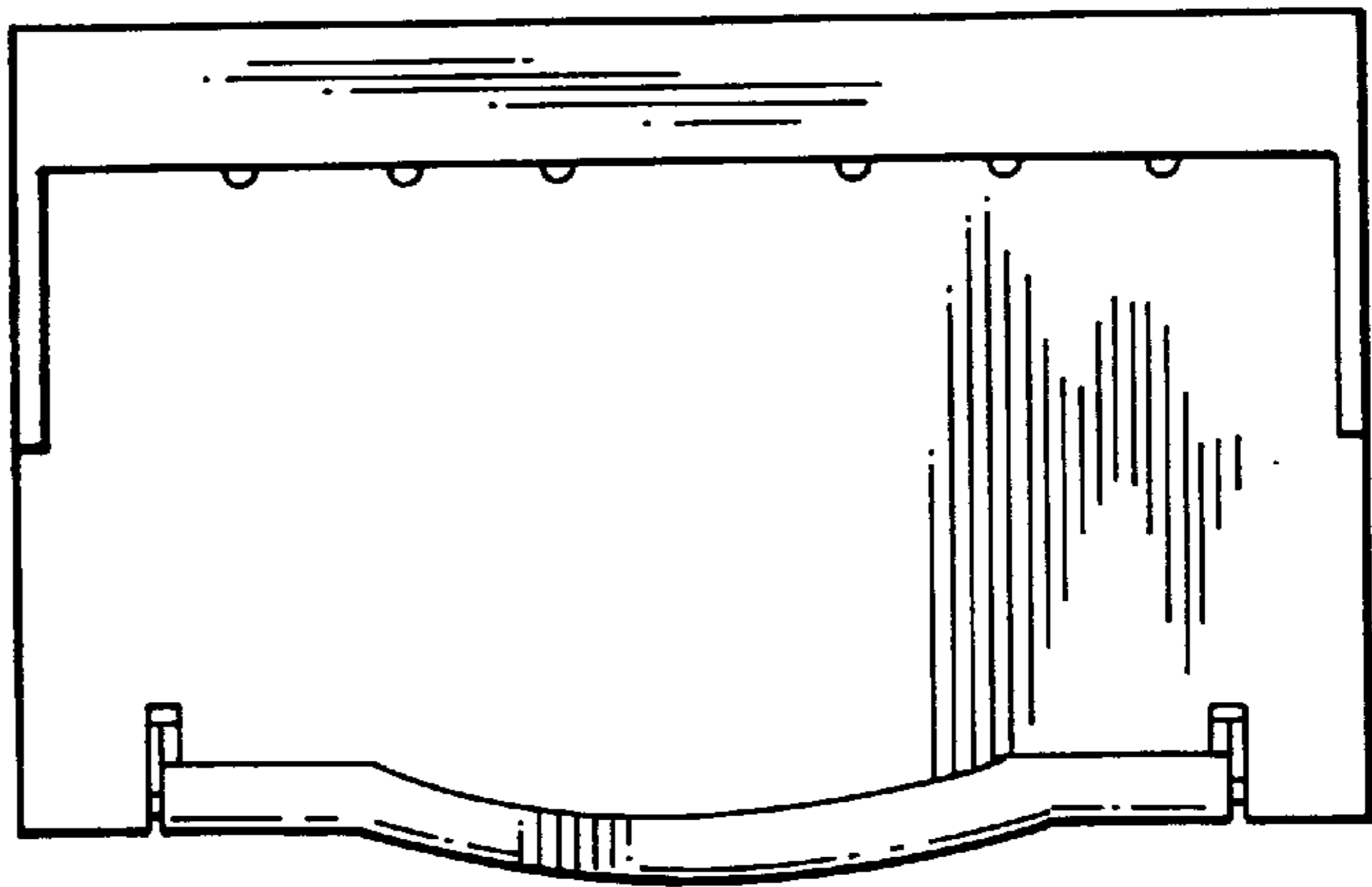


FIG. 14