



US00D421710S

United States Patent [19] Hajek

[11] **Patent Number: Des. 421,710**

[45] **Date of Patent: ** Mar. 21, 2000**

[54] **SCREW-IN BRANCH HOLDING BRACKET**

5,628,487 5/1997 Huber 248/314

[76] Inventor: **Michael L. Hajek**, 26555 130th St.,
Staples, Minn. 56479

Primary Examiner—Holly Baynham
Attorney, Agent, or Firm—Mackall, Crouse & Moore, PLC

[**] Term: **14 Years**

[57] **CLAIM**

[21] Appl. No.: **29/099,292**

The ornamental design for a screw-in branch holding bracket, as shown and described.

[22] Filed: **Jan. 19, 1999**

DESCRIPTION

[51] **LOC (6) Cl.** **08-05**

FIG. 1 is a left side elevational view showing my new design of a screw-in branch holding bracket;

[52] **U.S. Cl.** **D8/363**; D8/1

FIG. 2 is a right side view;

[58] **Field of Search** D8/1, 363, 354,
D8/349; 47/42-43; 258/538

FIG. 3 is a top plan view;

FIG. 4 is a bottom plan view;

FIG. 5 is a front plan view;

FIG. 6 is a rear plan view; and,

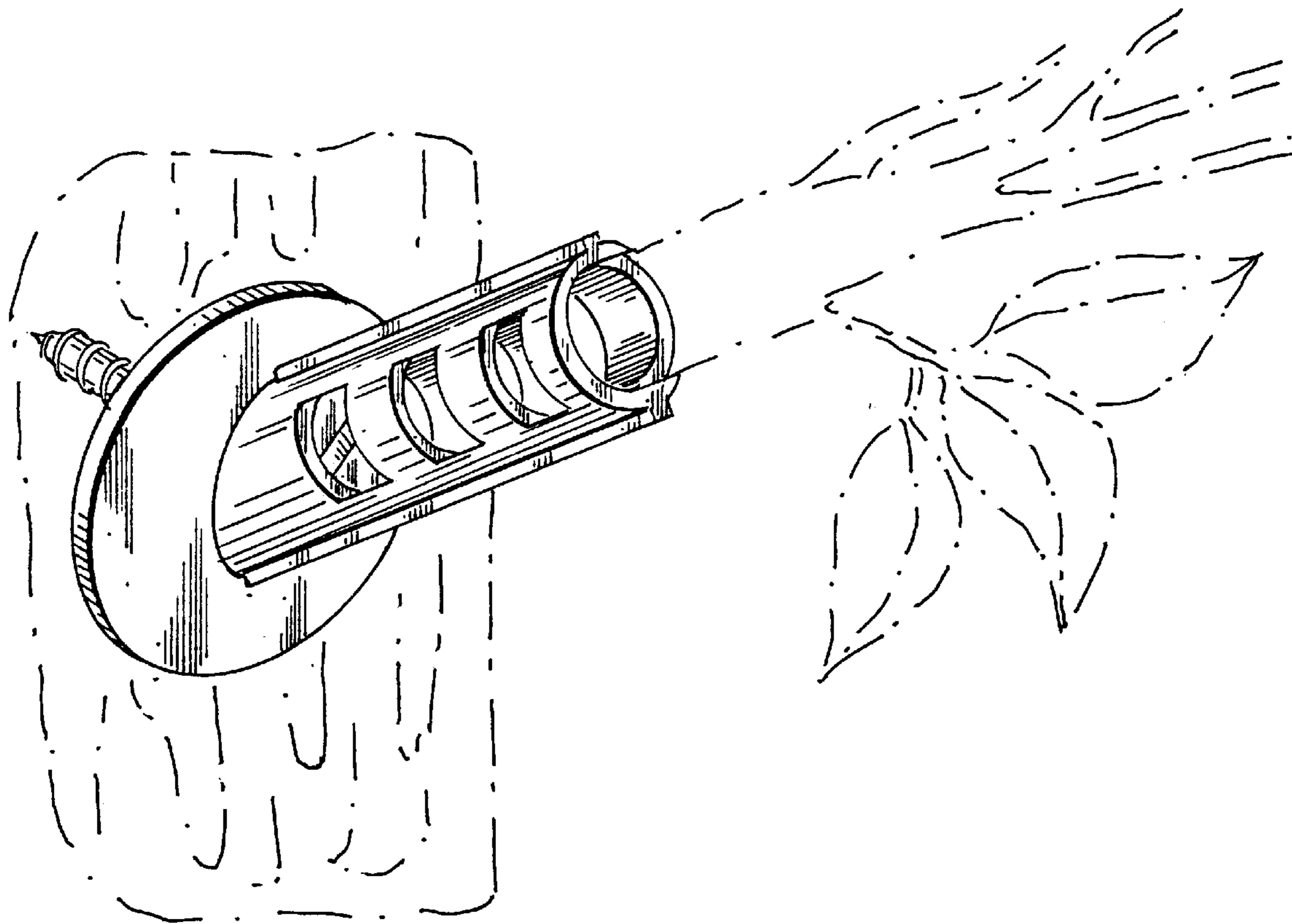
FIG. 7 is a front elevational view with the broken line showing of partial branches and leaves being for illustrative purposes only and forming no part of the claimed design.

[56] **References Cited**

U.S. PATENT DOCUMENTS

D. 354,889	1/1995	Diedrick	D8/1
2,126,457	8/1938	East	248/538
2,311,495	2/1943	Krause	248/538
2,941,767	6/1960	Mogey	47/43 X

1 Claim, 2 Drawing Sheets



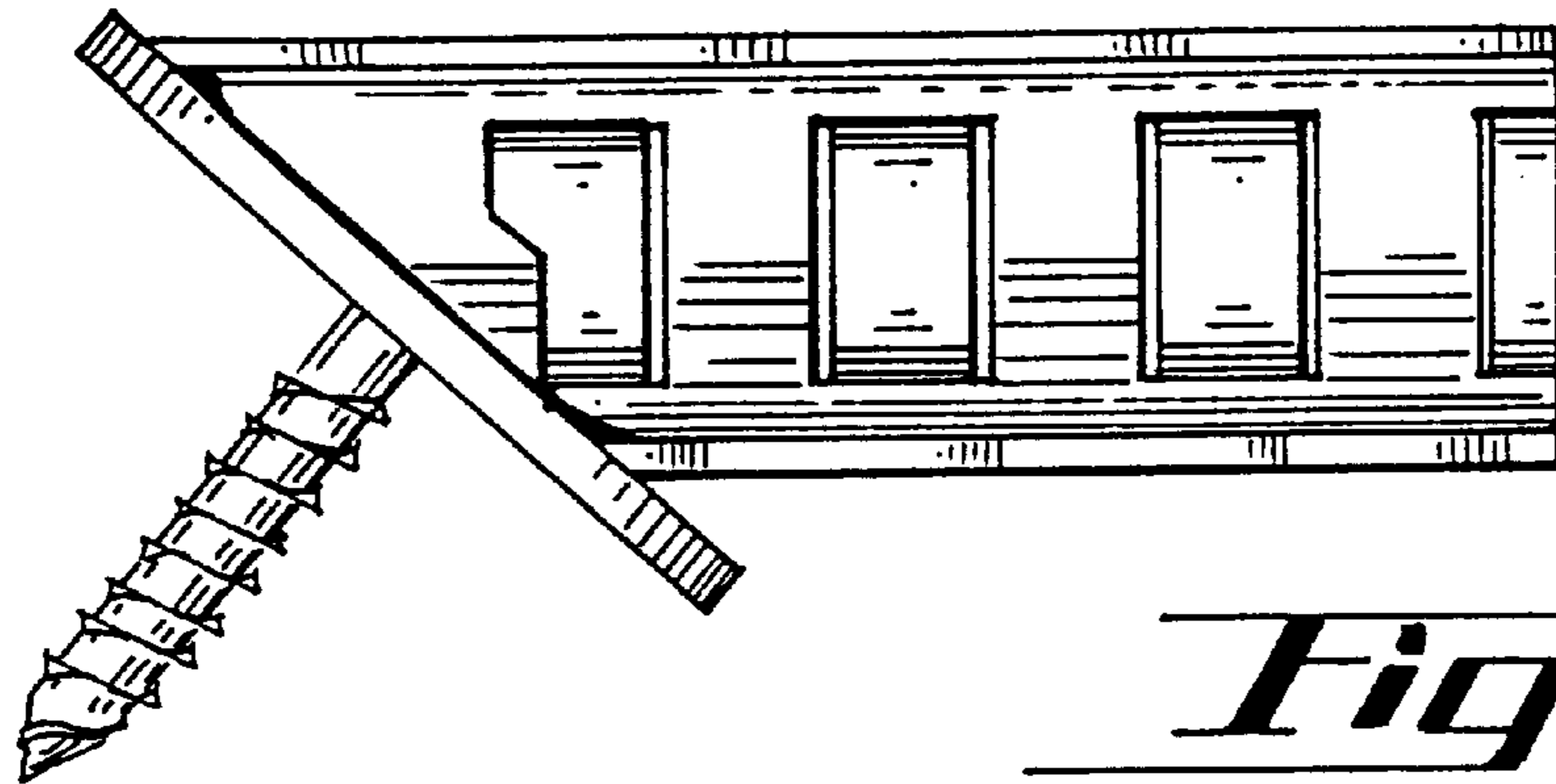


Fig. 1.

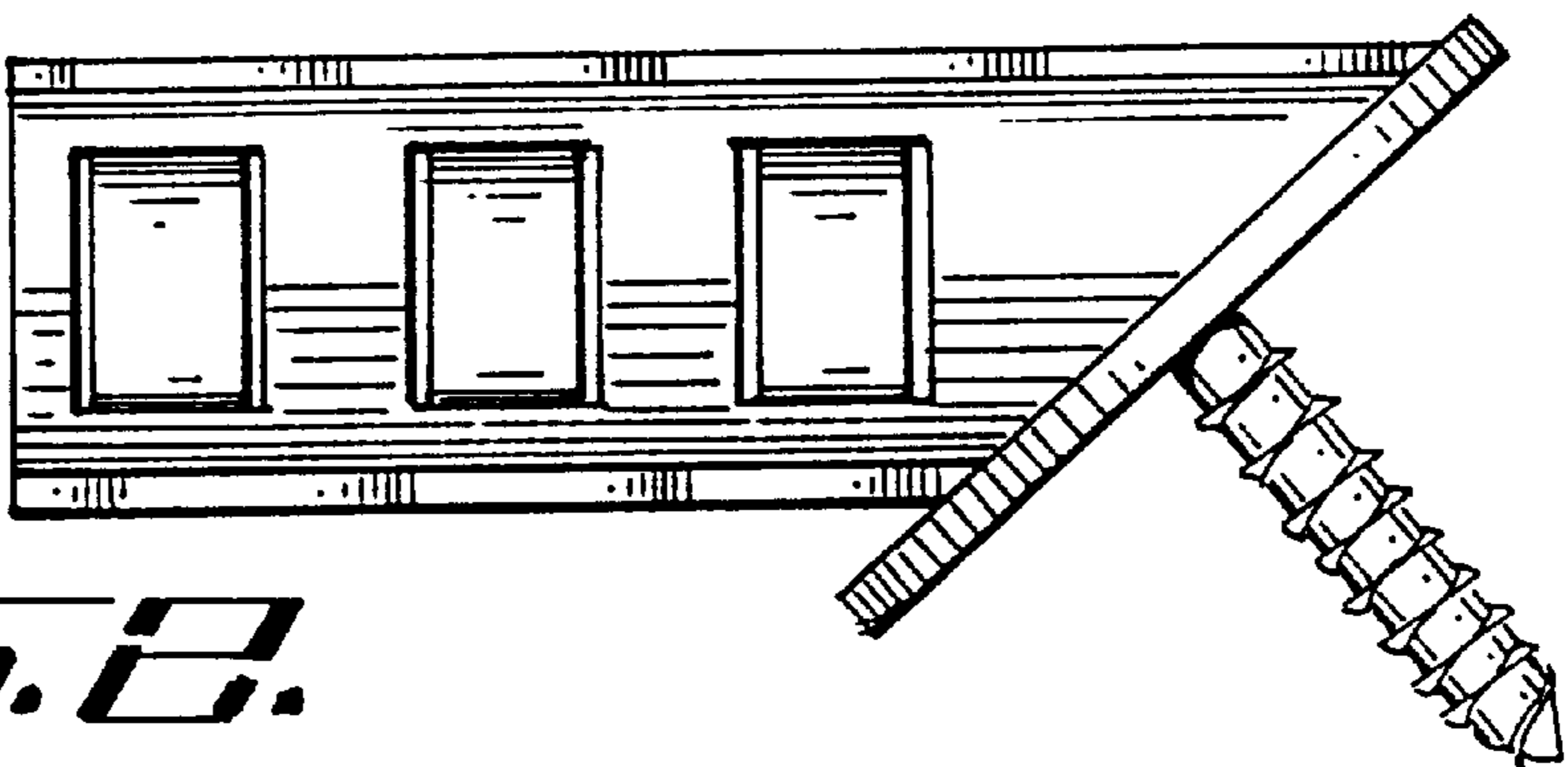


Fig. 2.

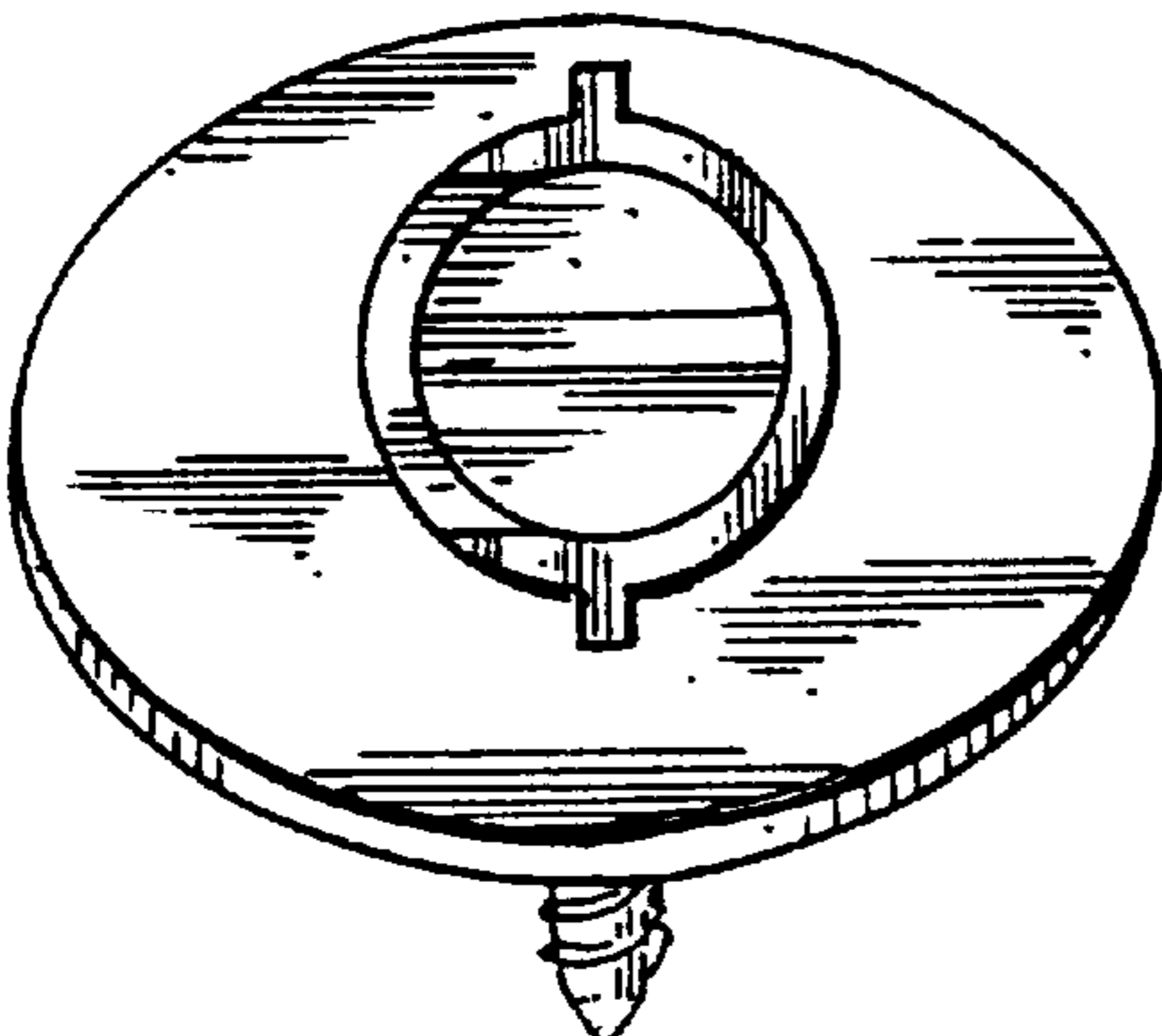


Fig. 3.

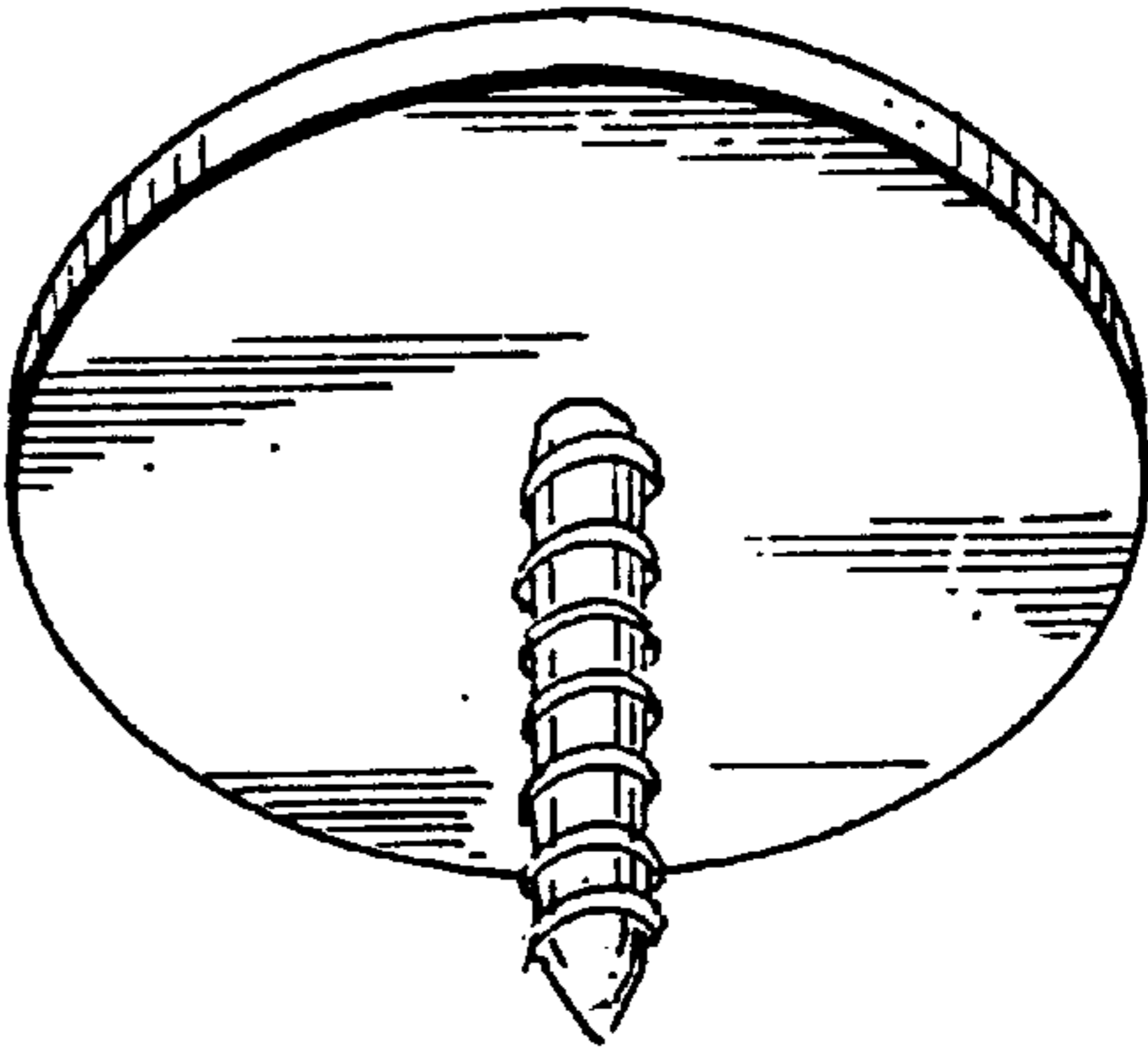


Fig. 4.

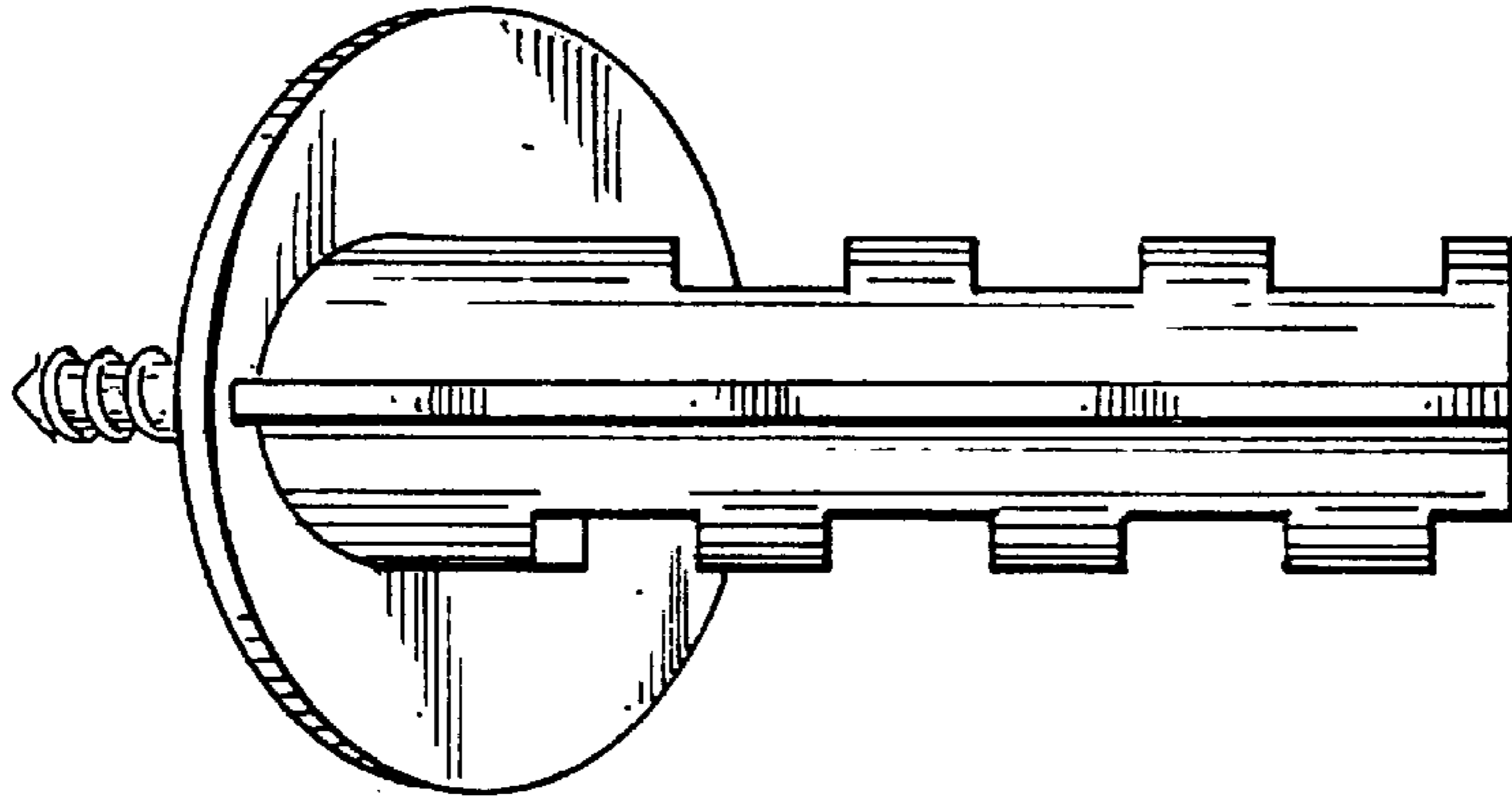


Fig. 5.

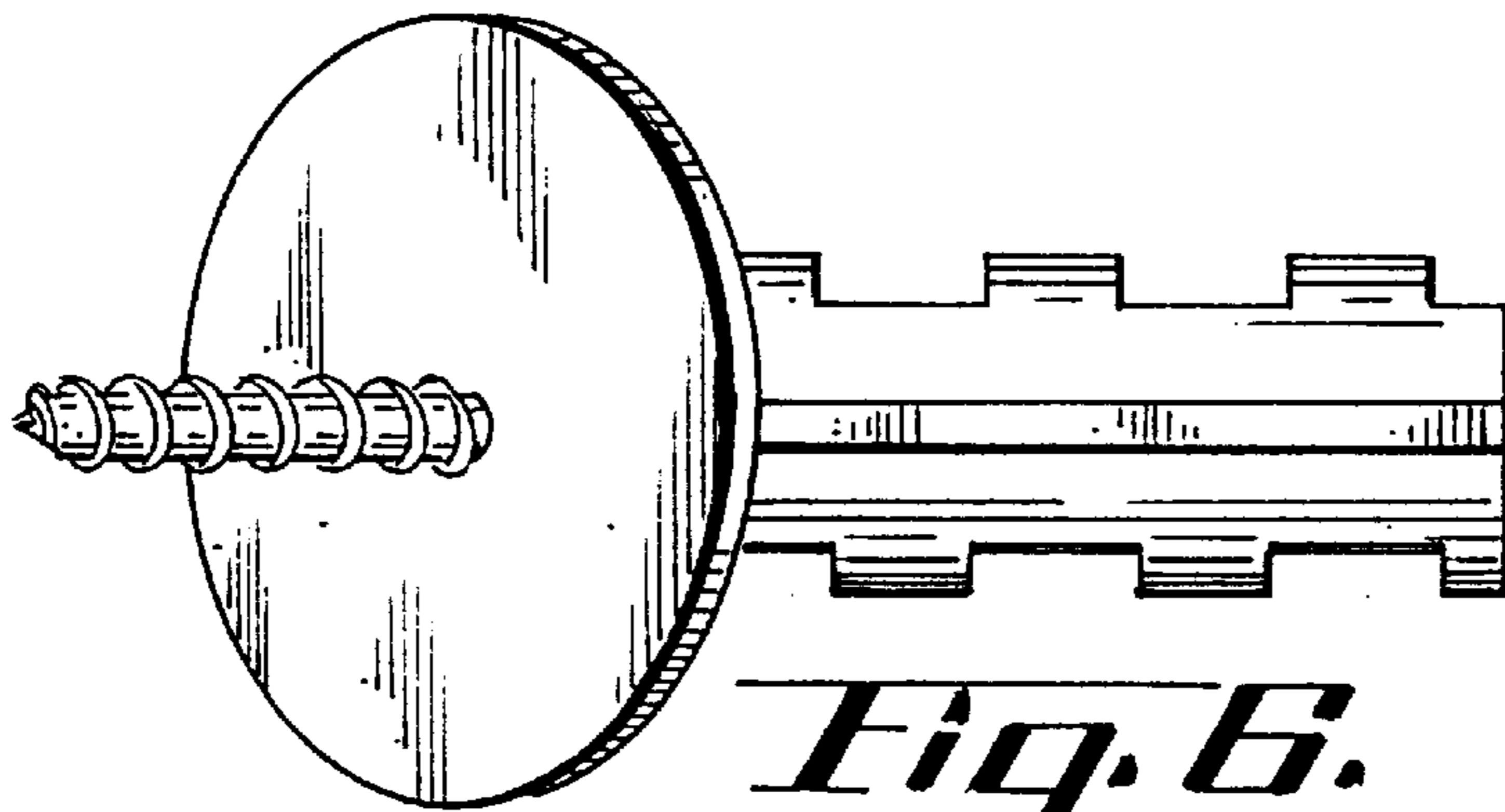


Fig. 6.

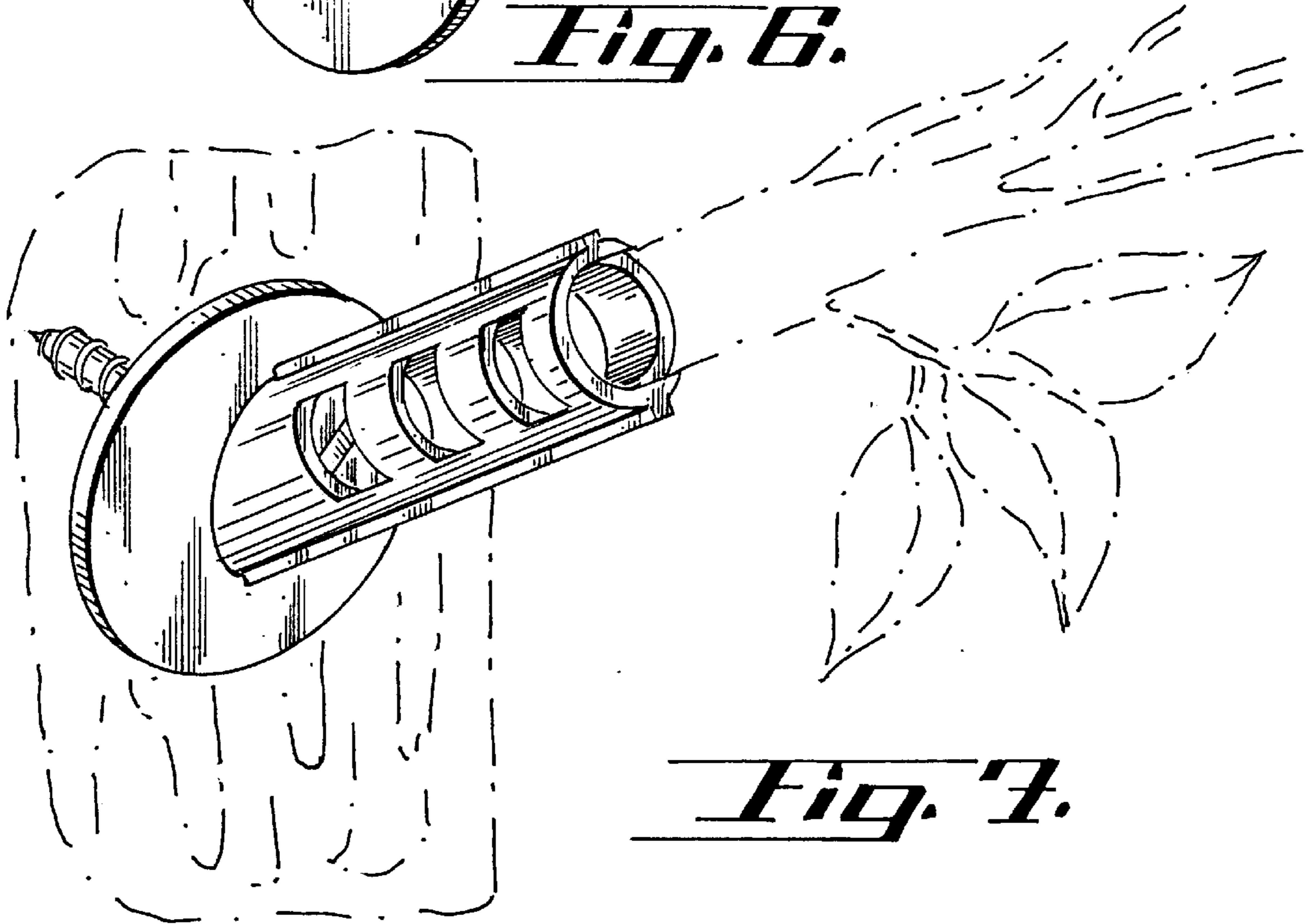


Fig. 7.