



US00D421708S

**United States Patent** [19]  
**Kuhnke**

[11] **Patent Number: Des. 421,708**

[45] **Date of Patent: \*\* \*Mar. 21, 2000**

[54] **QUICK RELEASE POST BASE**

[75] Inventor: **Gerry Kuhnke**, Plover, Wis.

[73] Assignee: **Gamber Johnson**, Stevens Point, Wis.

[\*] Notice: This patent is subject to a terminal disclaimer.

[\*\*] Term: **14 Years**

[21] Appl. No.: **29/101,477**

[22] Filed: **Mar. 4, 1999**

**Related U.S. Application Data**

[62] Division of application No. 29/097,917, Dec. 17, 1998.

[51] **LOC (6) Cl.** ..... **08-05**

[52] **U.S. Cl.** ..... **D8/349**

[58] **Field of Search** ..... D6/495; D8/354;  
108/150; 248/346.01, 188.1, 182.2, 545;  
D25/133, 109; 52/514, 296

[56] **References Cited**

**U.S. PATENT DOCUMENTS**

- D. 221,616 8/1971 Hollander .
- D. 230,235 2/1974 Green et al. .
- D. 295,730 5/1988 Blackburn .
- D. 297,370 8/1988 Foster, Jr. .... D25/133
- D. 315,997 4/1991 Bales et al. .
- D. 334,314 3/1993 Milton .
- 3,167,291 1/1965 Maquire ..... 248/188.1
- 3,392,848 7/1968 McConnell et al. .
- 3,564,984 2/1971 Alexander .
- 4,603,829 8/1986 Koike et al. .
- 5,337,989 8/1994 Apple .
- 5,427,406 6/1995 Zushi et al. .
- 5,688,030 11/1997 McAnally et al. .

**FOREIGN PATENT DOCUMENTS**

- 2260914 6/1974 Germany .

*Primary Examiner*—Holly Baynham  
*Attorney, Agent, or Firm*—Oblon, Spivak, McClelland, Maier & Neustadt, P.C.

[57] **CLAIM**

The ornamental design for quick release post base, as shown and described.

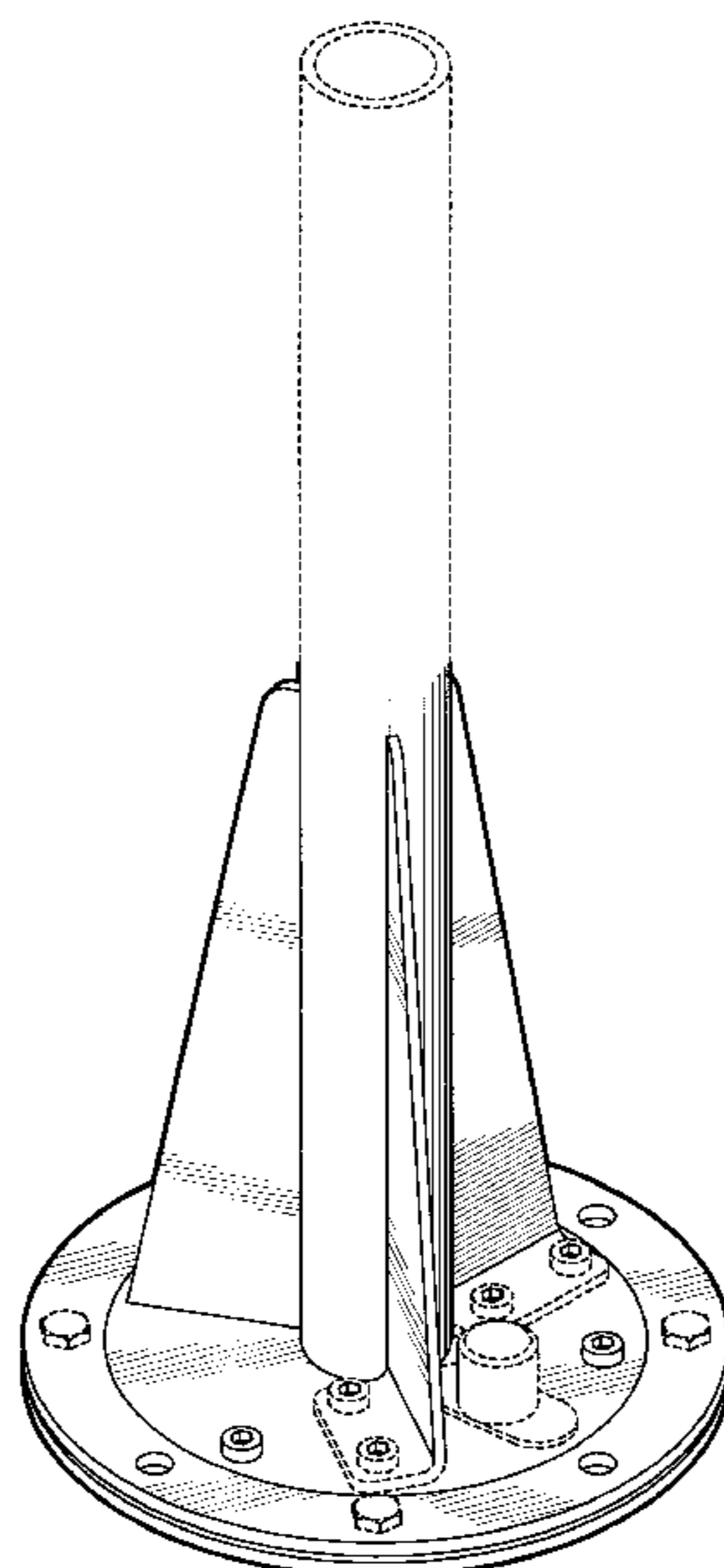
**DESCRIPTION**

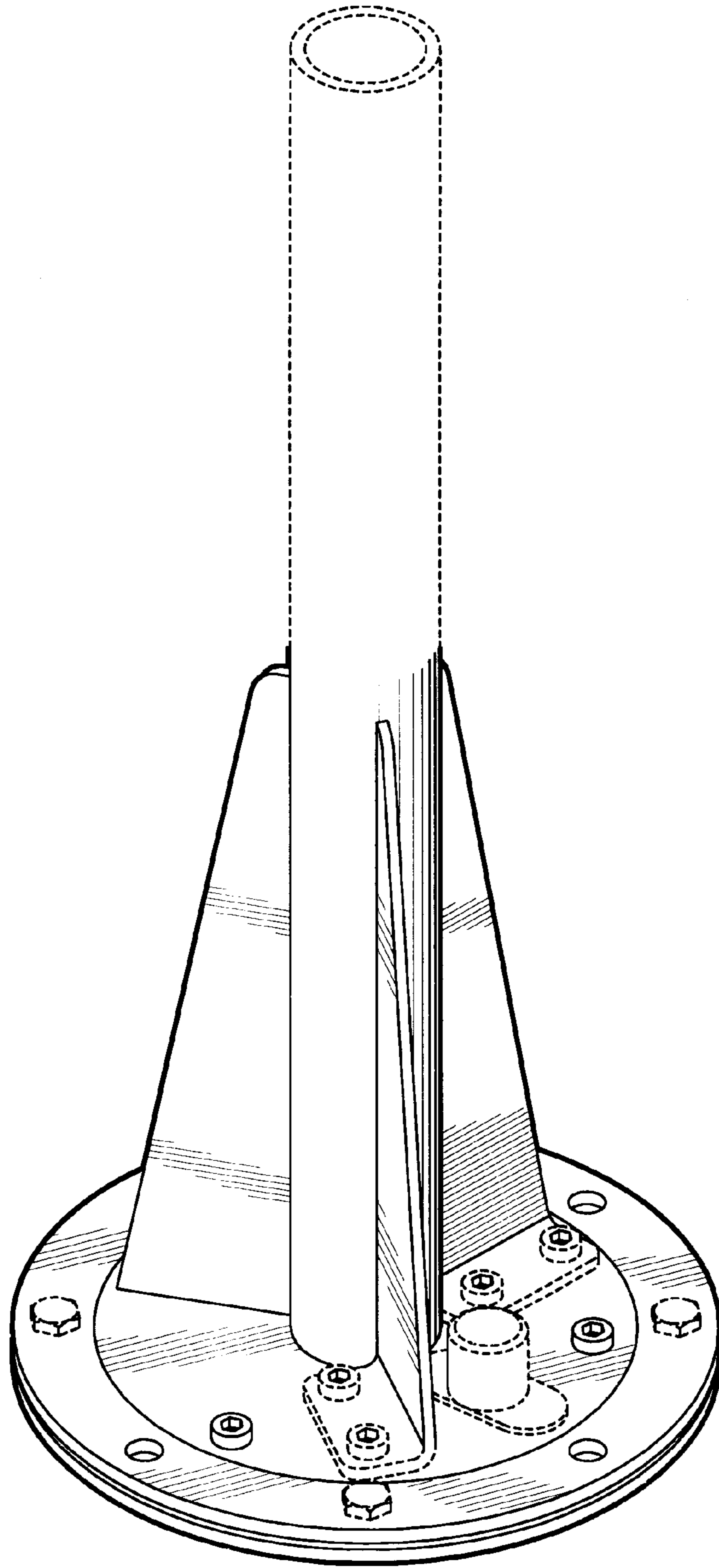
FIG. 1 is a top and front perspective view of quick release post base, embodying our new design;  
 FIG. 2 is a front elevational view thereof;  
 FIG. 3 is a left side elevational view thereof;  
 FIG. 4 is a right side elevational view thereof;  
 FIG. 5 is a top plan view thereof;  
 FIG. 6 is a bottom, front and right side elevational view thereof;  
 FIG. 7 is a top and front perspective view of the base portion of the quick release post base;  
 FIG. 8 is a front elevational view thereof;  
 FIG. 9 is a left side elevational view thereof;  
 FIG. 10 is a right side elevational view thereof;  
 FIG. 11 is a top plan view thereof;  
 FIG. 12 is a bottom, front and right side perspective view thereof;  
 FIG. 13 is a top and front perspective view of the post portion of the quick release post base;  
 FIG. 14 is a front elevational view thereof;  
 FIG. 15 is a left side elevational view thereof;  
 FIG. 16 is a right side elevational view thereof;  
 FIG. 17 is a top plan view thereof; and,  
 FIG. 18 is a bottom, front and right side perspective view thereof.

The features shown in phantom lines in FIGS. 1–18 are shown for illustrative purposes only and form no part of the claimed design.

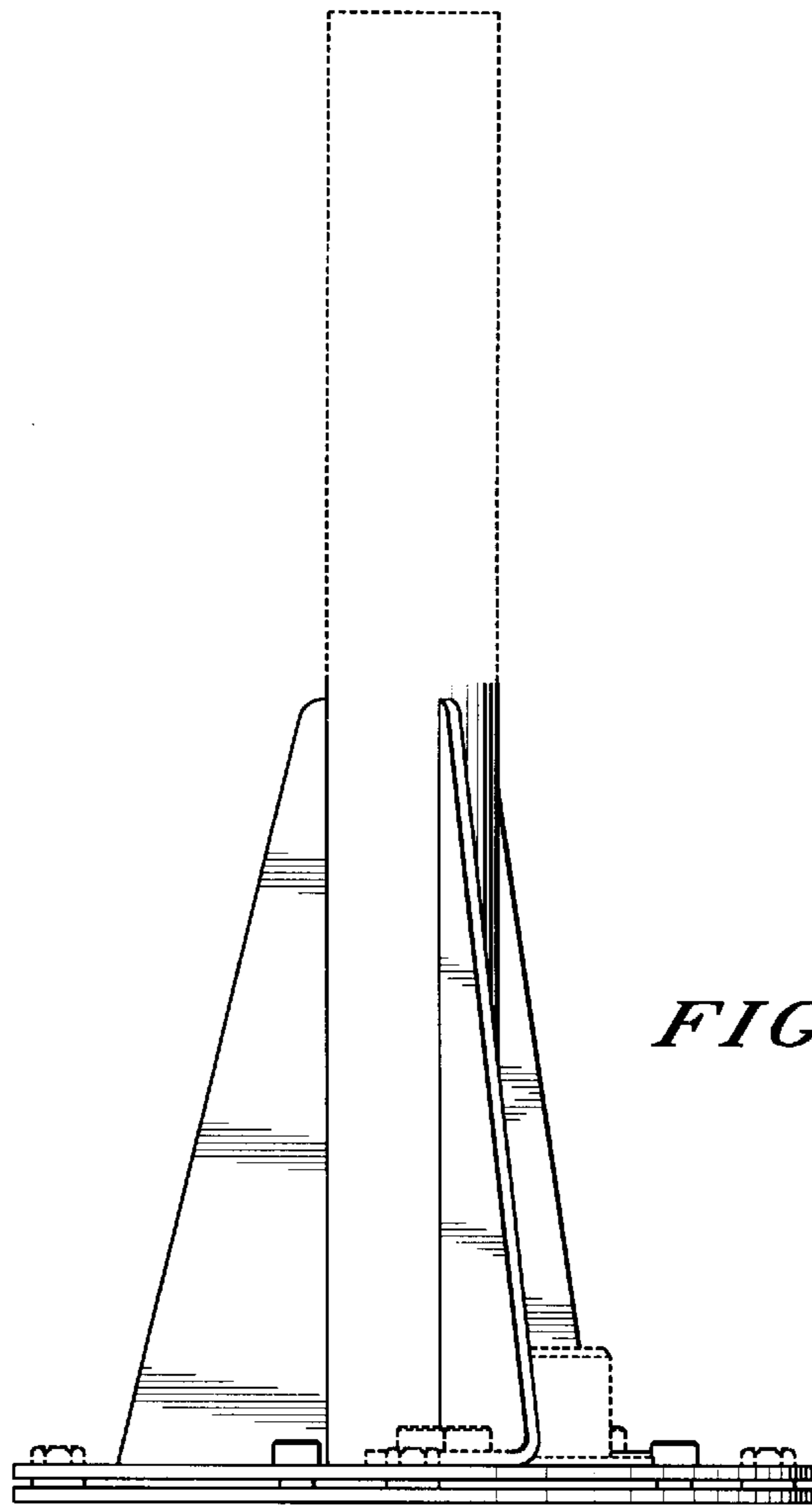
The elements of the claimed design are shown separately for clarification of illustration.

**1 Claim, 10 Drawing Sheets**

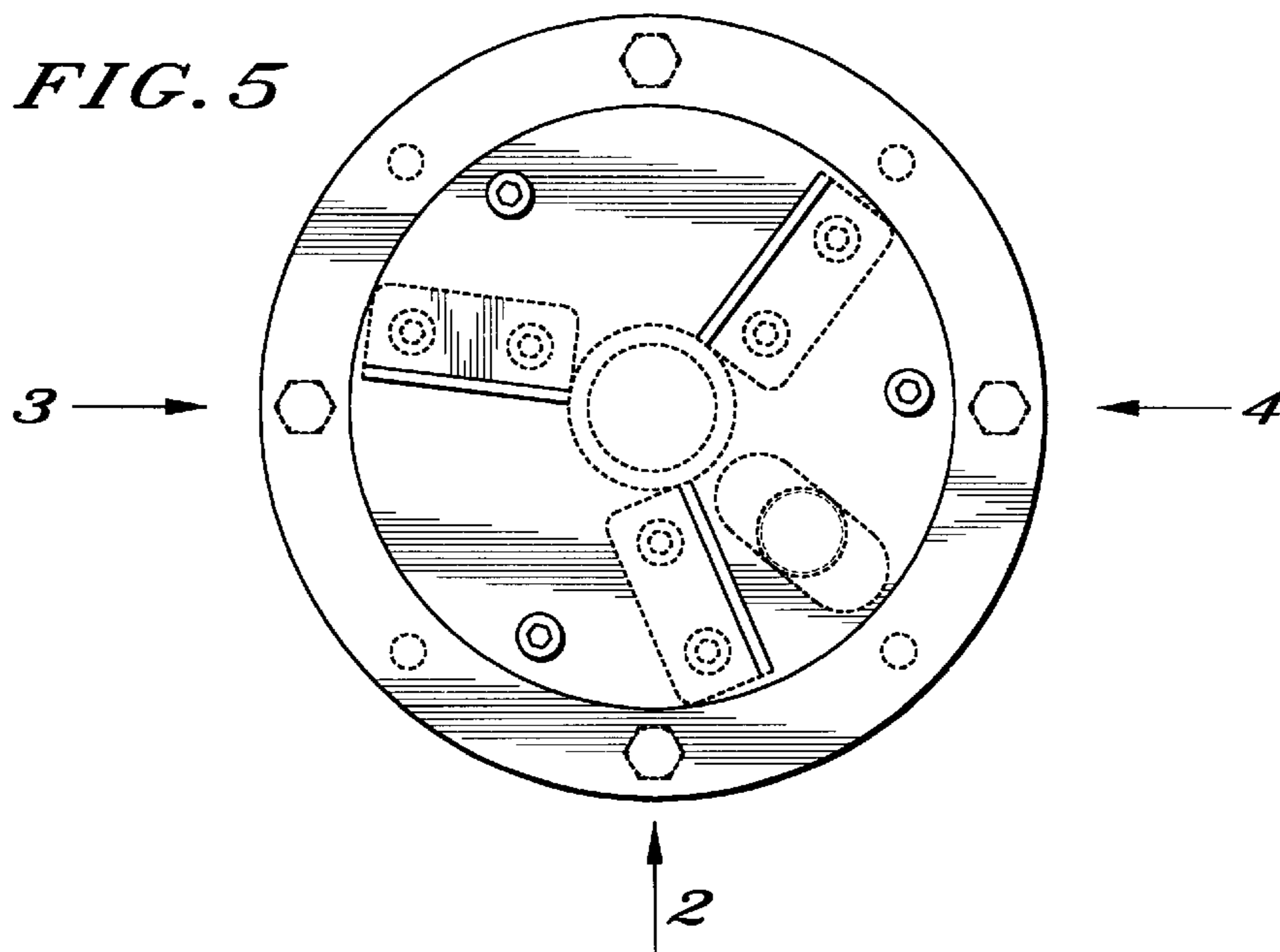




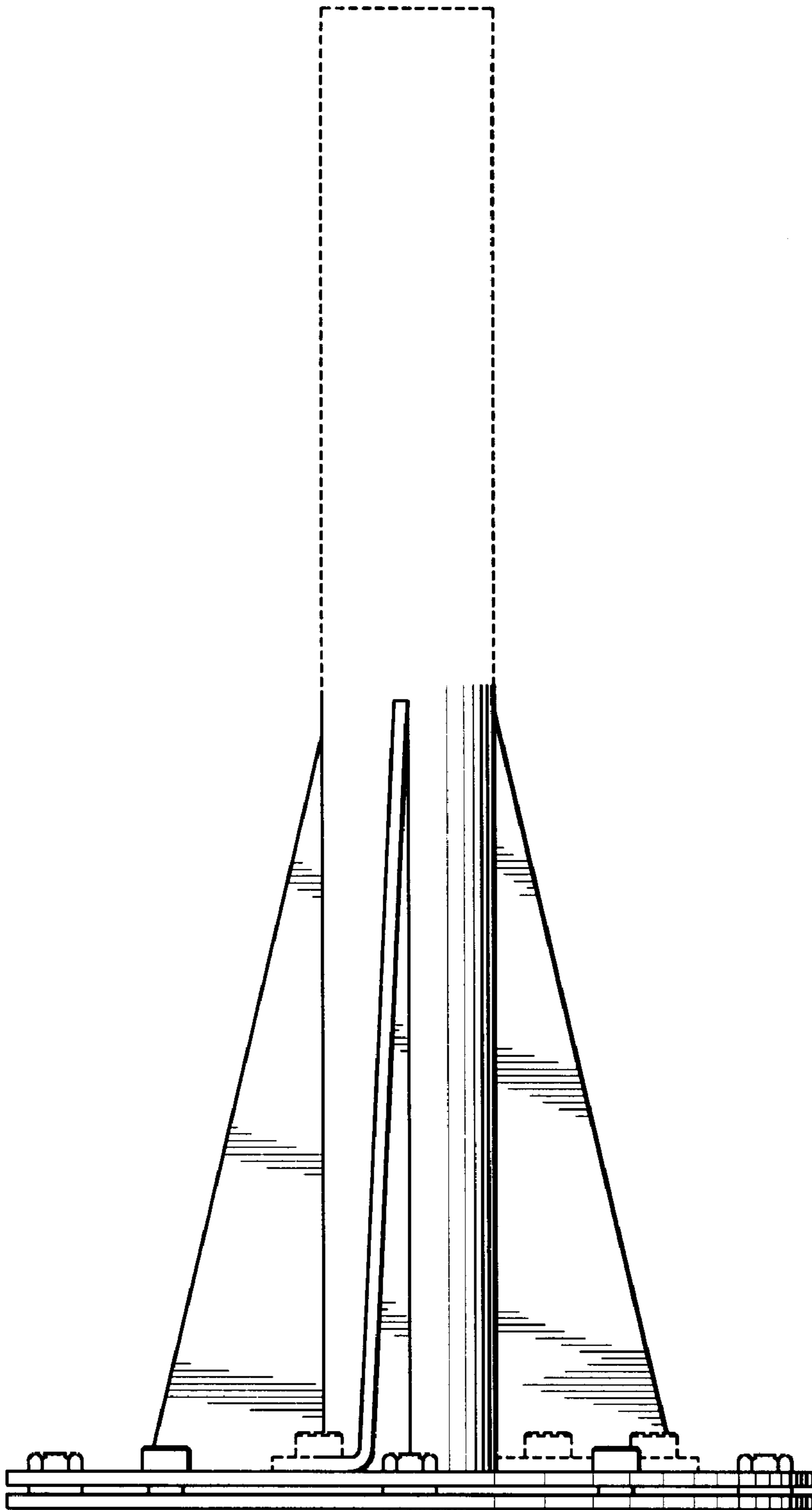
*FIG. 1*



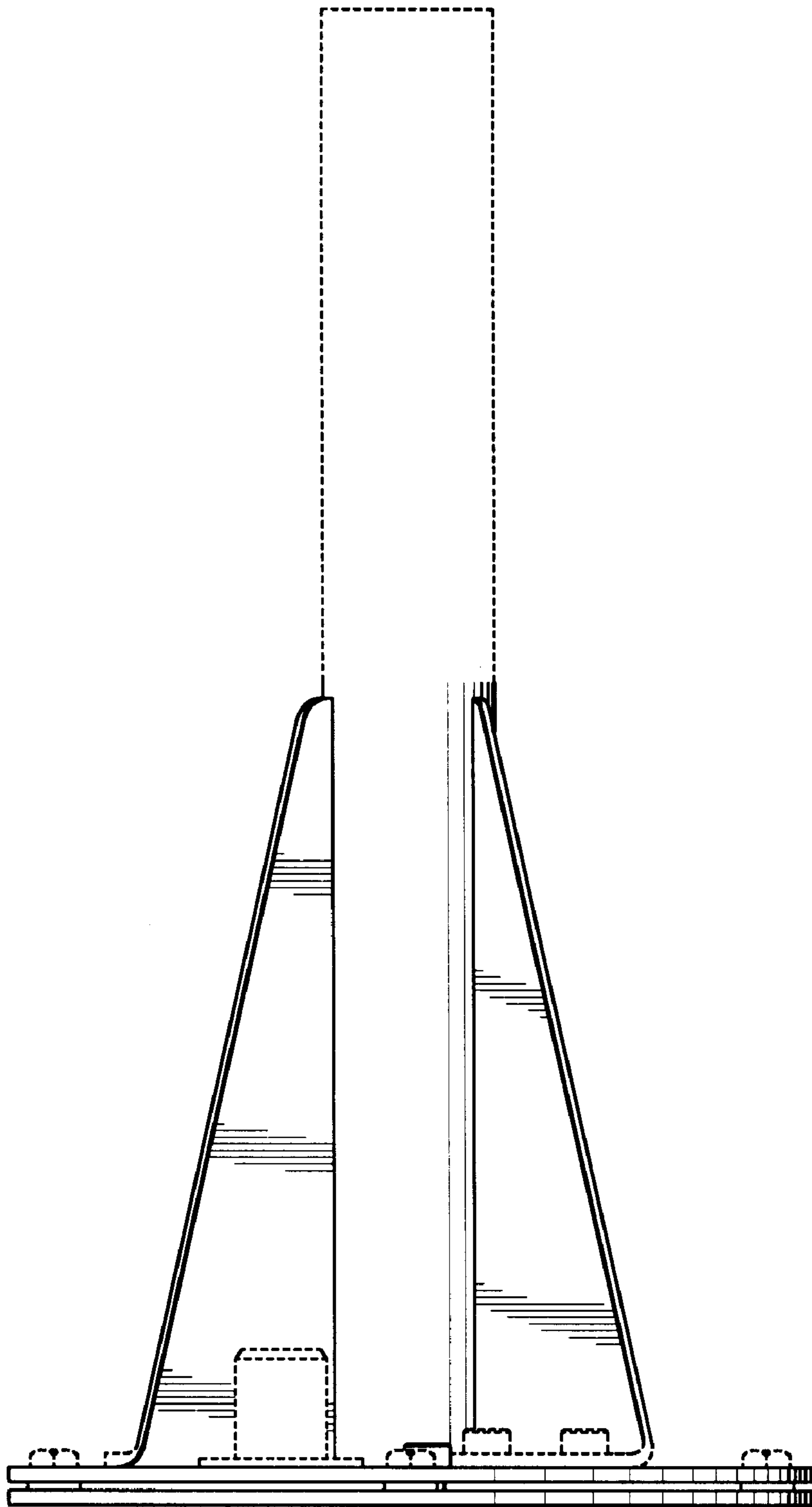
*FIG. 2*



*FIG. 5*



*FIG. 3*



*FIG. 4*

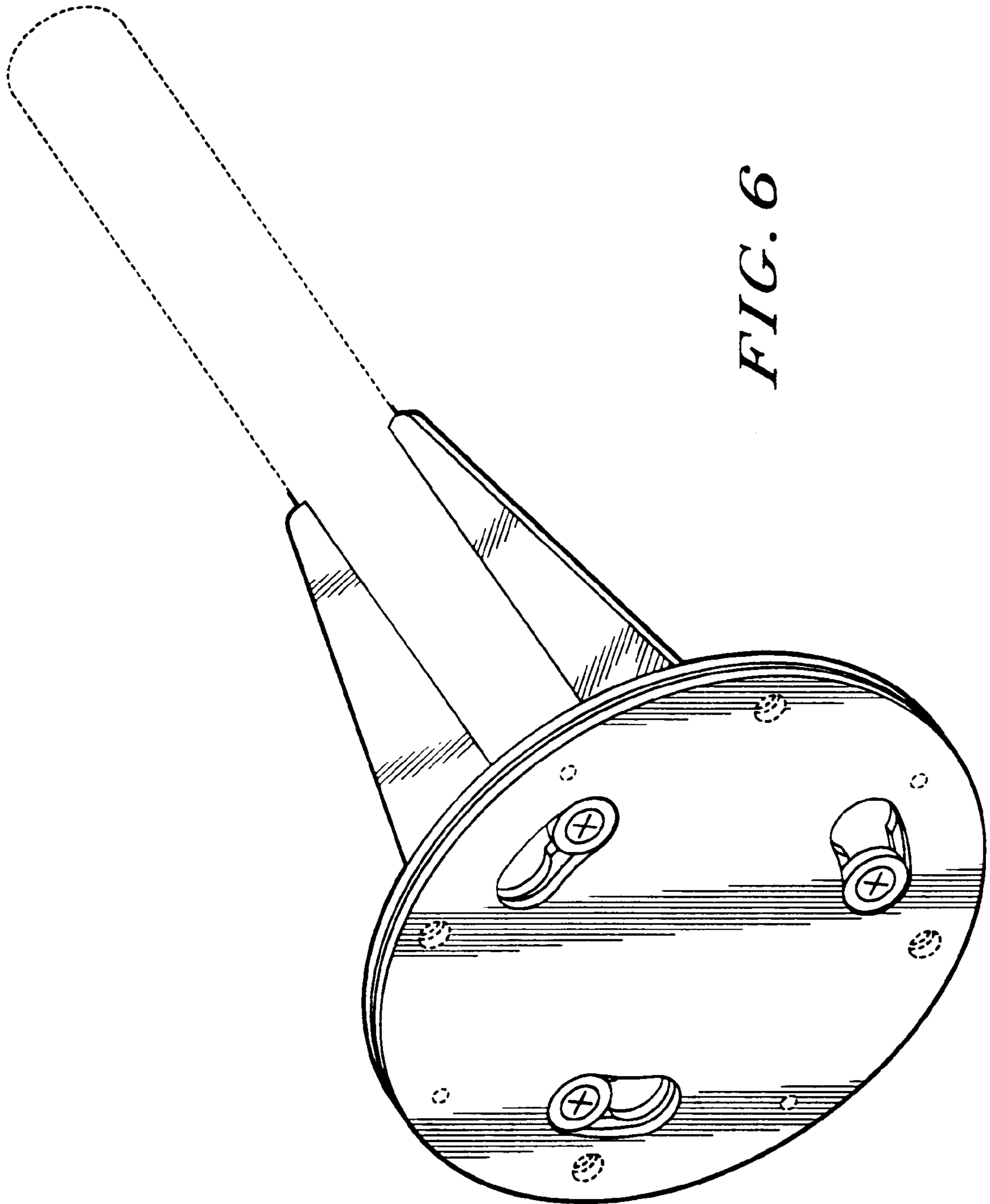


FIG. 6

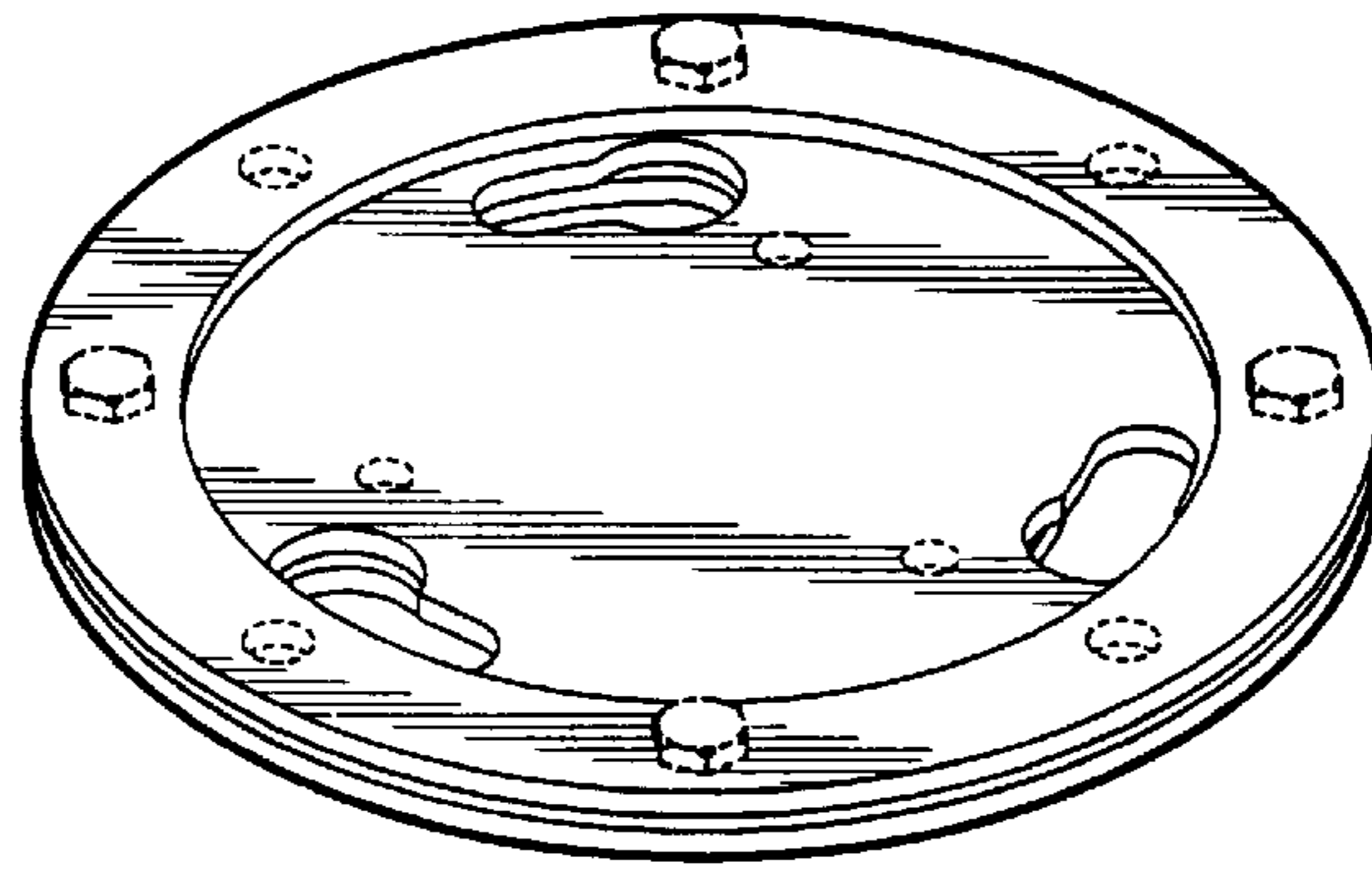


FIG. 7



FIG. 8



FIG. 9



FIG. 10

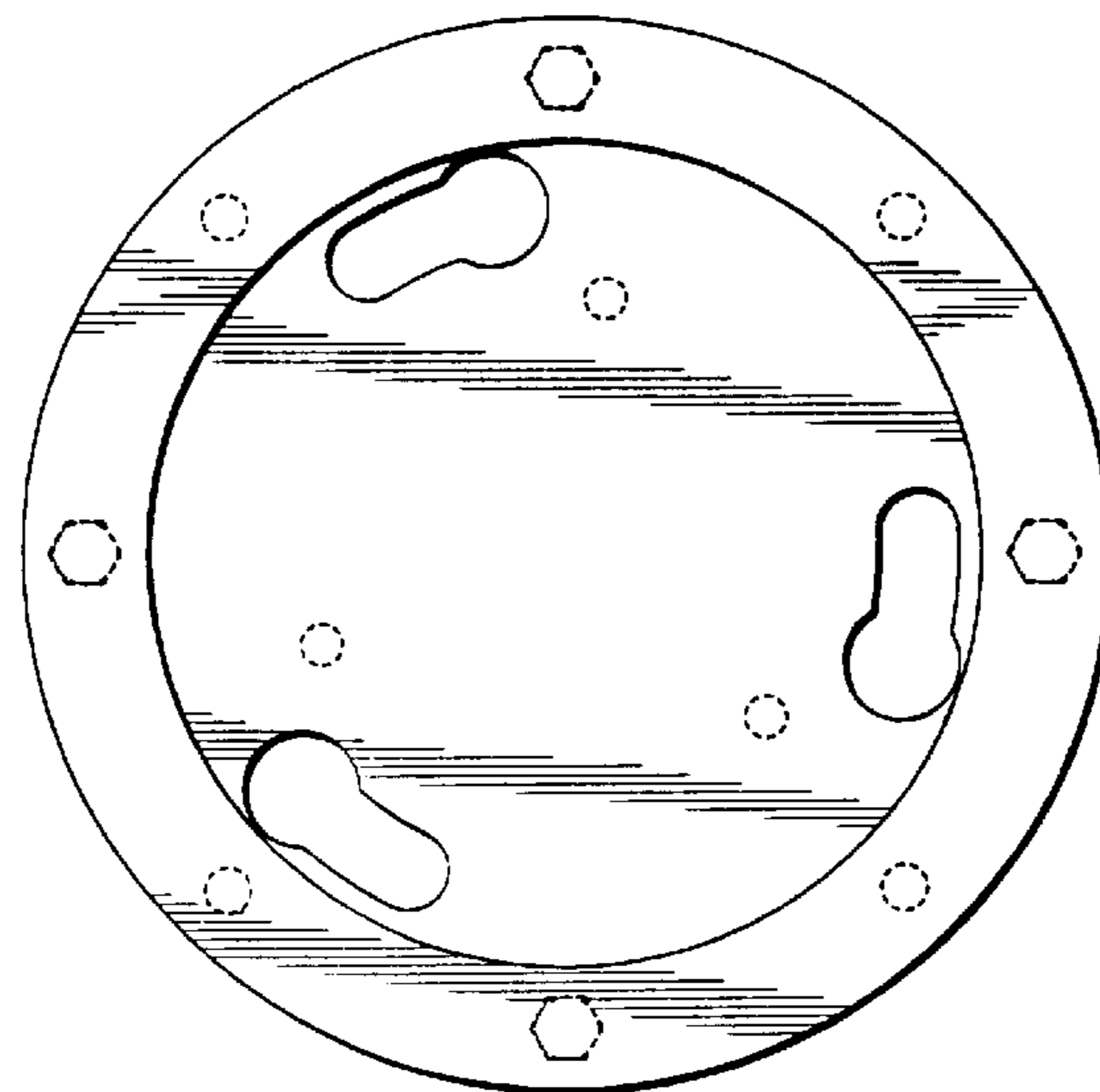
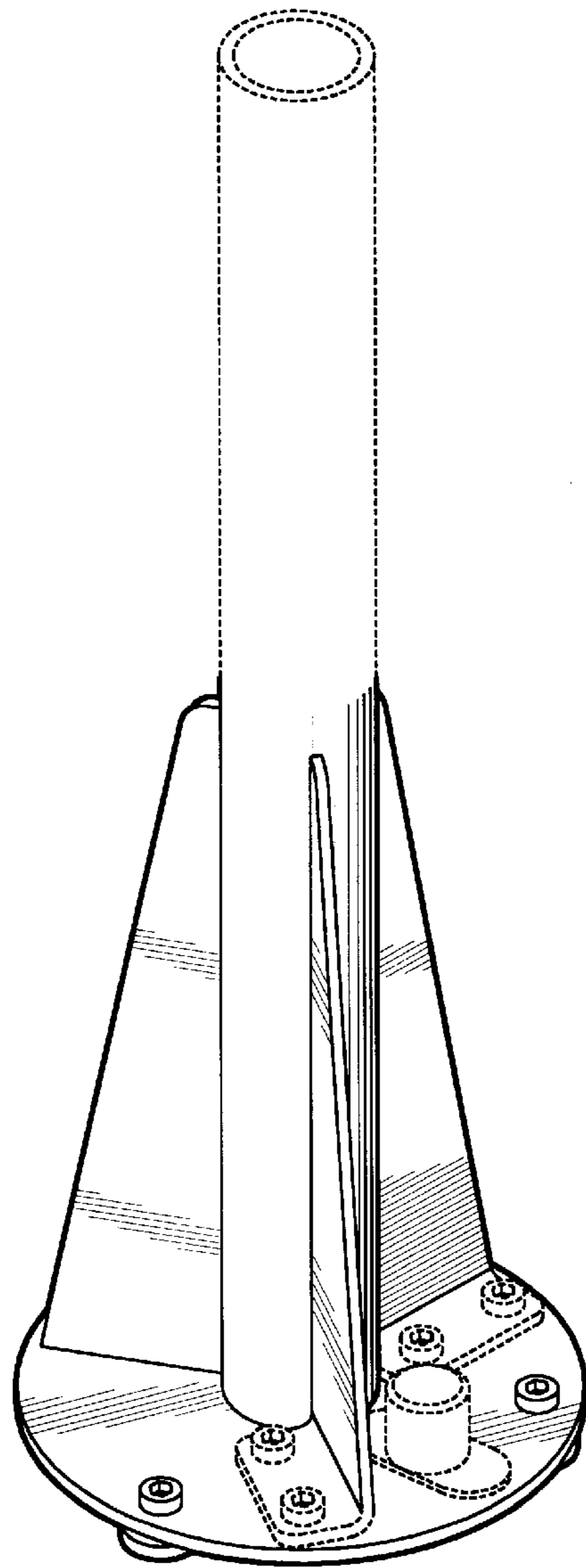
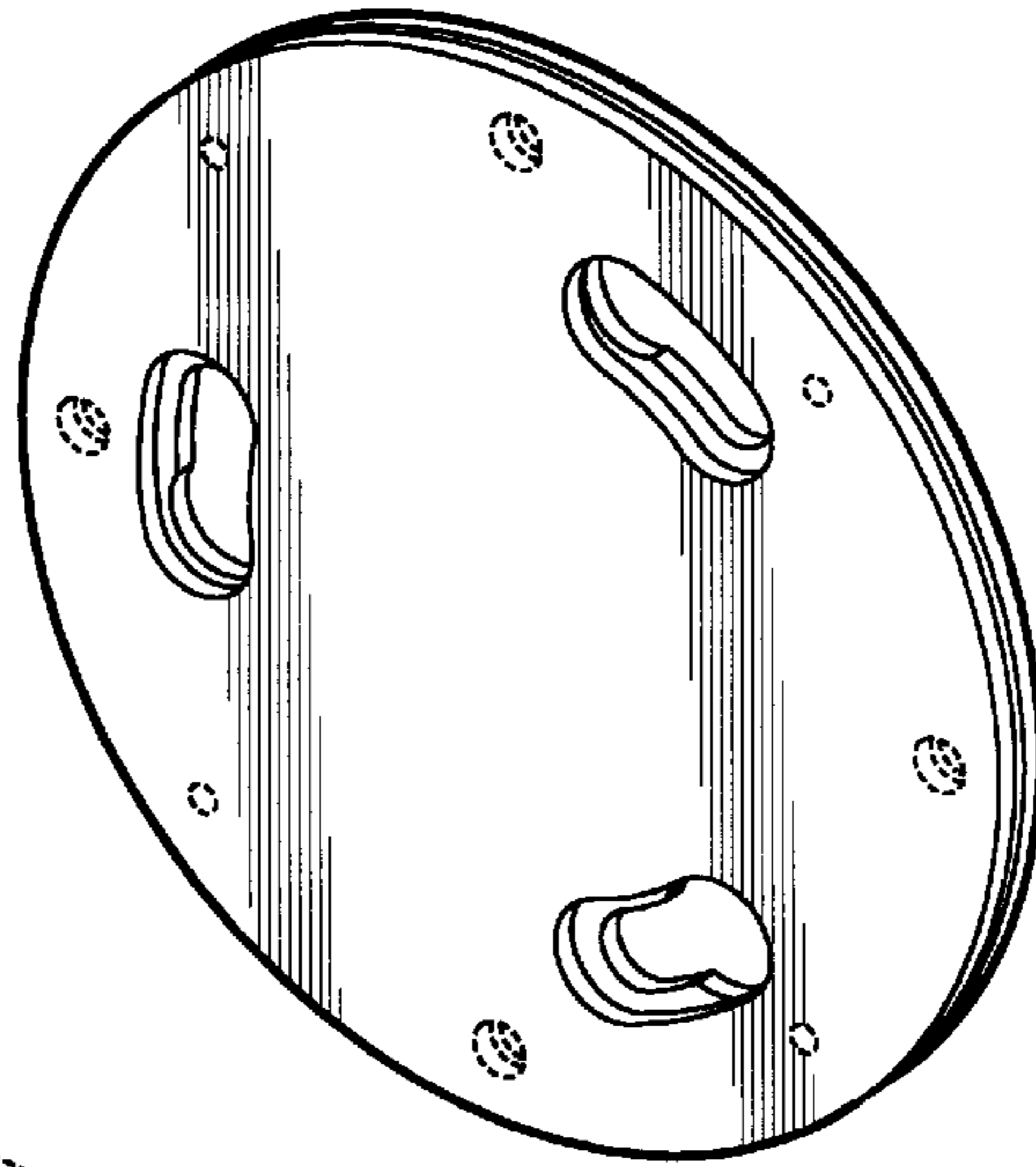


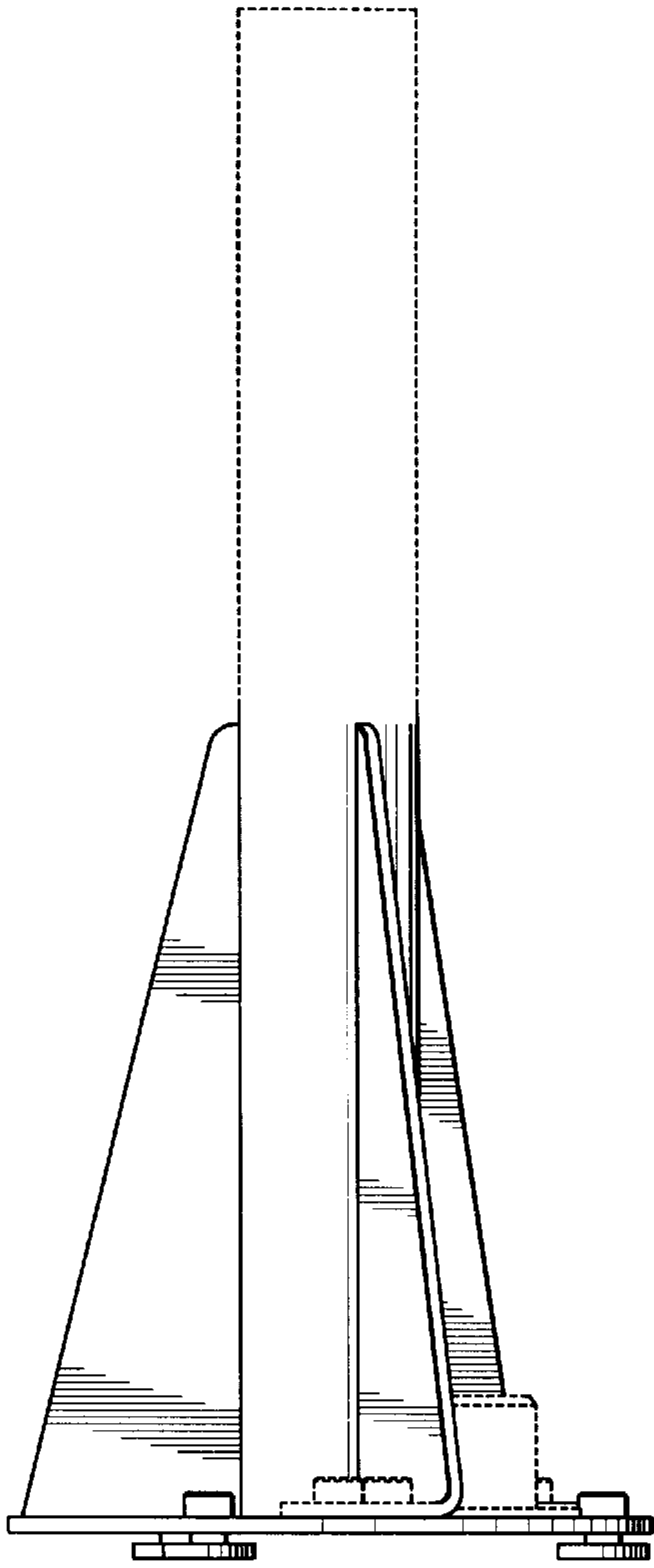
FIG. 11

*FIG. 12*

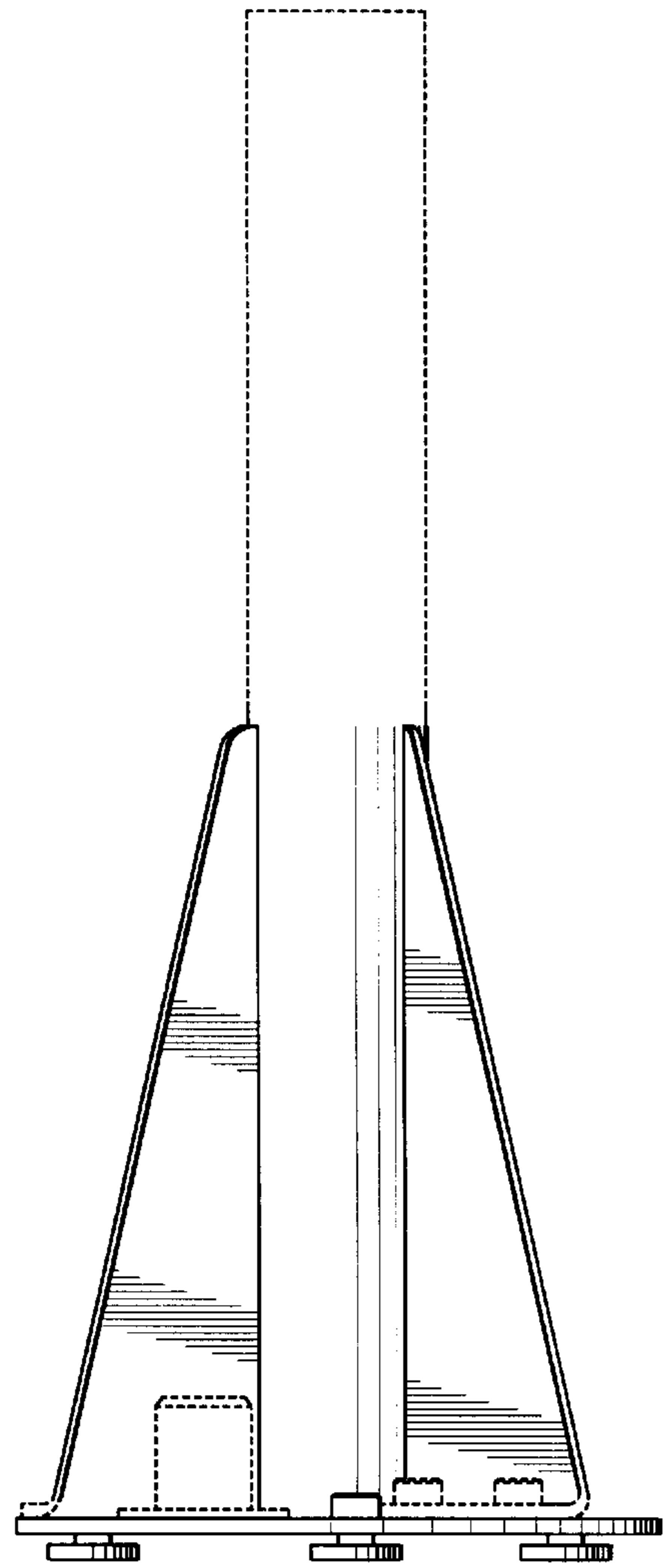


*FIG. 13*

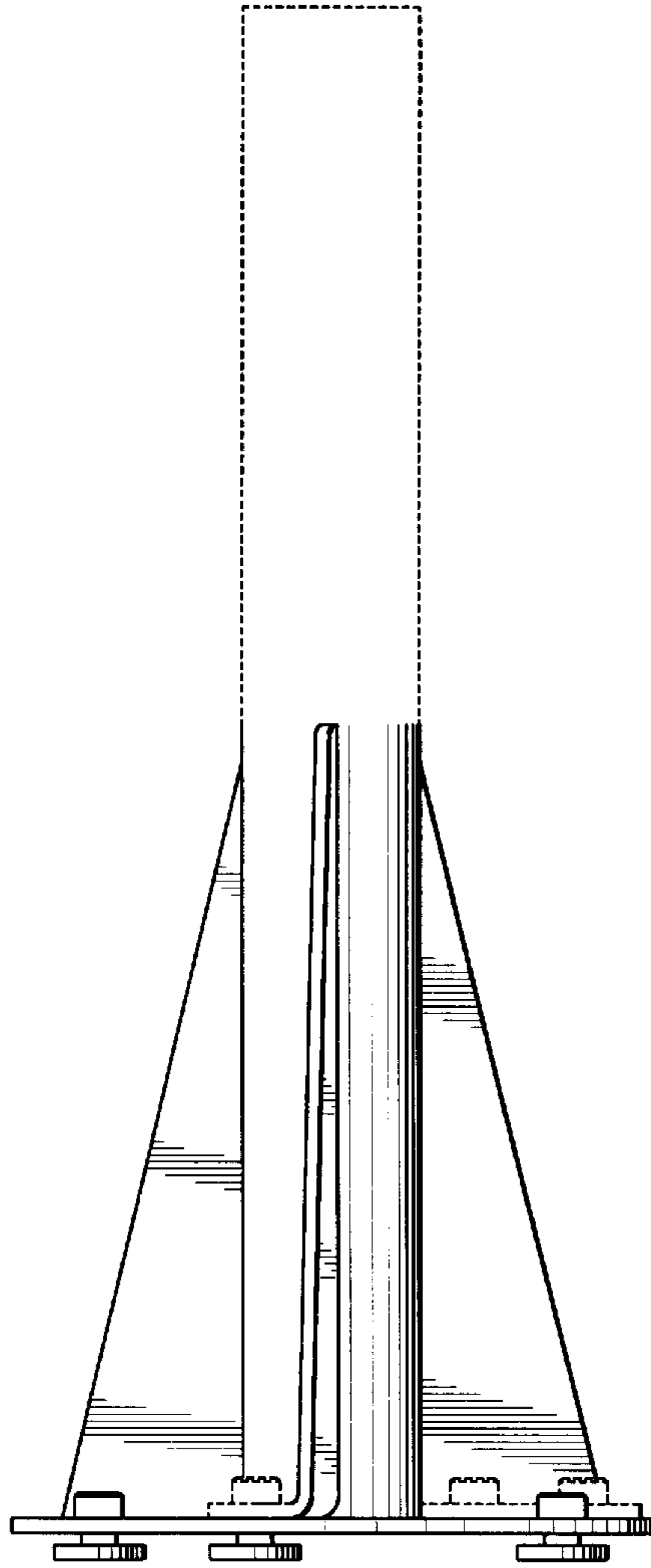




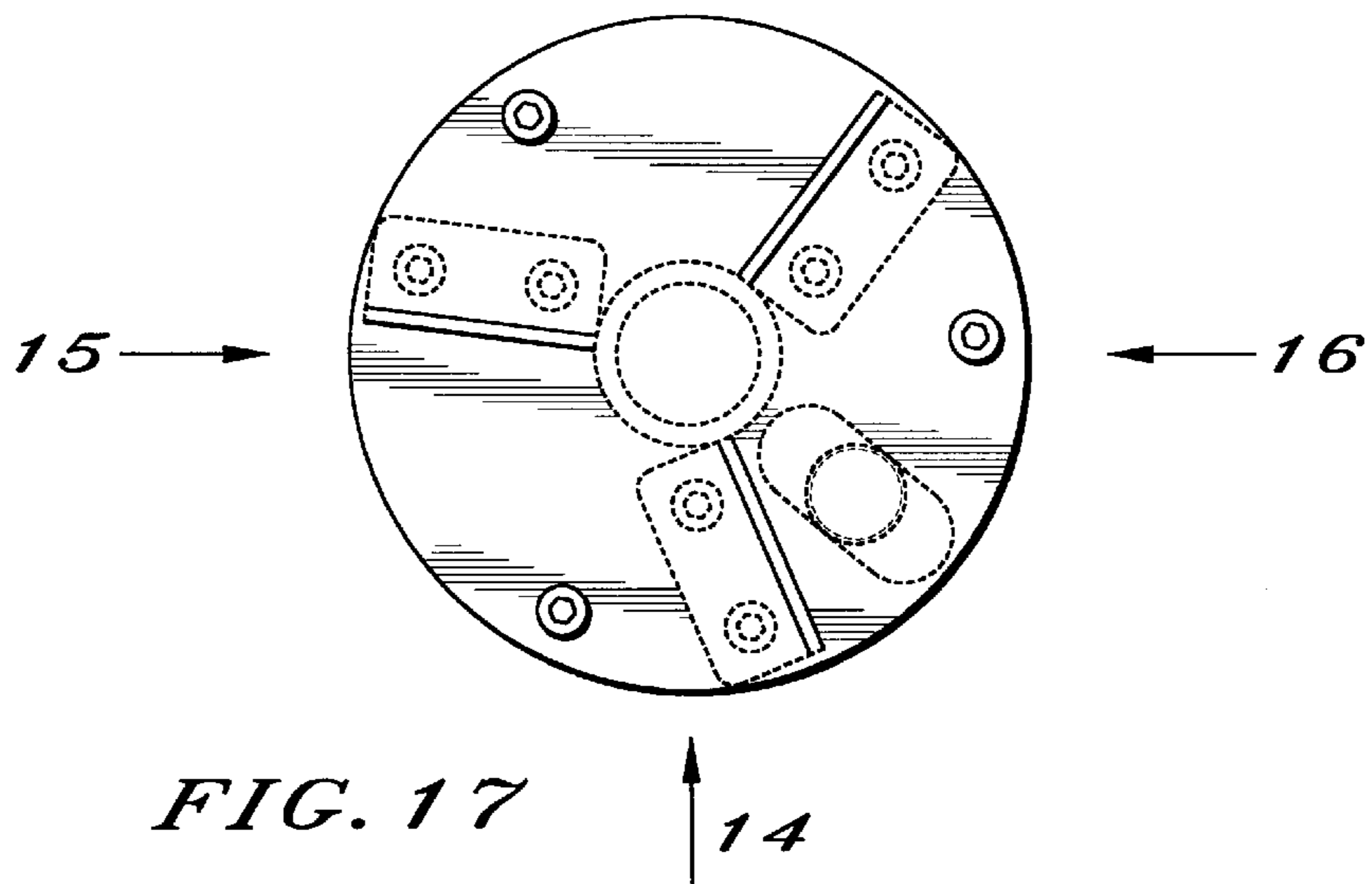
*FIG. 14*



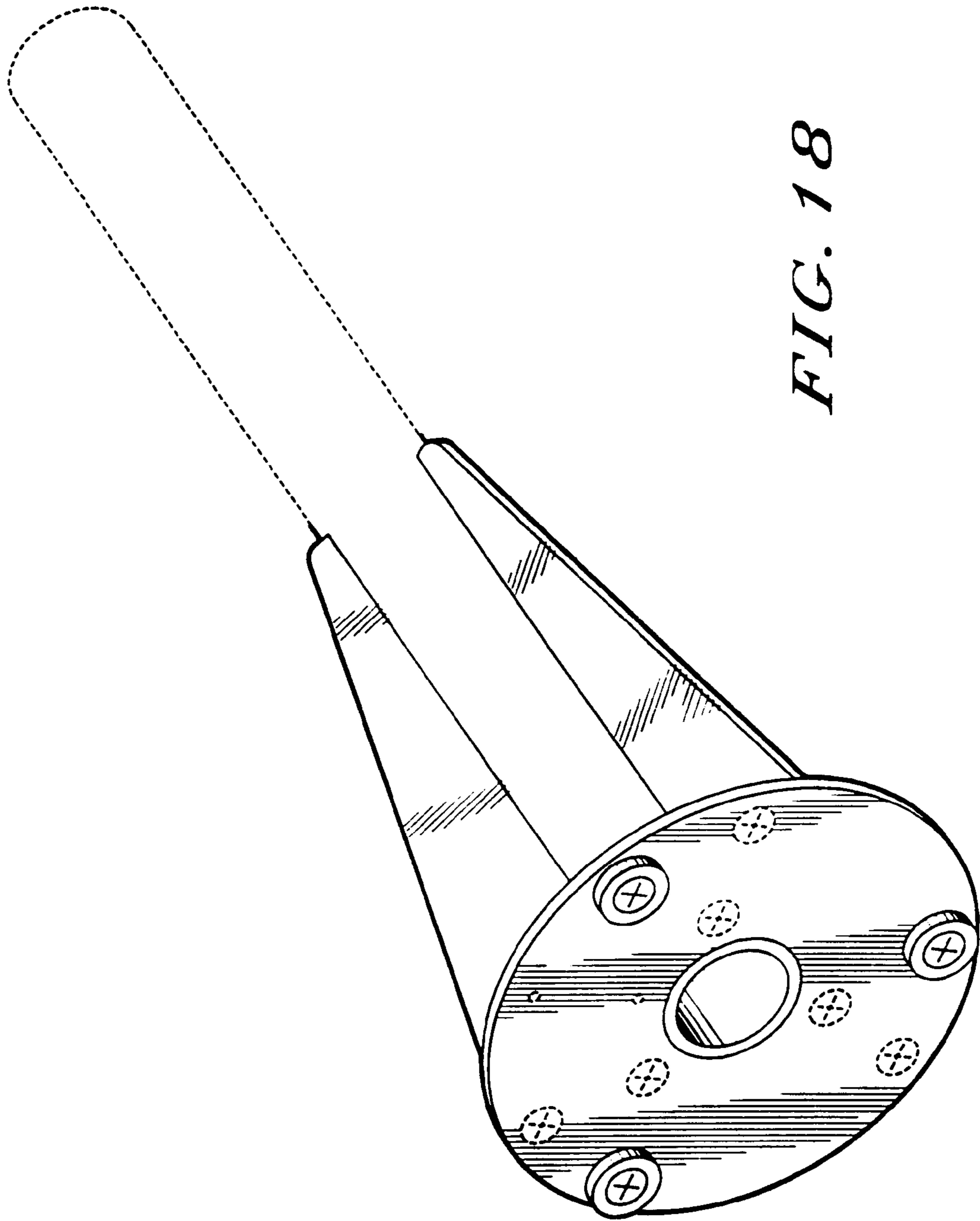
*FIG. 16*



*FIG. 15*



*FIG. 17*



*FIG. 18*