



US00D421703S

United States Patent [19]

[11] **Patent Number: Des. 421,703**

Isaksen

[45] **Date of Patent: ** Mar. 21, 2000**

[54] **COVER WITH EXHAUSTING ATTACHMENT FOR ENGINE DRIVEN HAND TOOL**

5,411,433 5/1995 Keller 451/451
5,766,062 6/1998 Edling 451/451

[75] Inventor: **Bjarne Isaksen, Alings, Sweden**

Primary Examiner—Alan P. Douglas
Assistant Examiner—Jennifer Rivard
Attorney, Agent, or Firm—Dvorak & Orum

[73] Assignee: **ToolBox Woodworking Sweden AB, Alingsås, Sweden**

[57] **CLAIM**

[**] Term: **14 Years**

I claim the ornamental design for the cover with exhausting attachment for engine driven hand tool, as shown and described.

[21] Appl. No.: **29/093,570**

[22] Filed: **Sep. 14, 1998**

DESCRIPTION

[51] **LOC (6) Cl. 08-03**

[52] **U.S. Cl. D8/70**

[58] **Field of Search D8/400, 499, 14, D8/70; 451/451, 455, 452, 457**

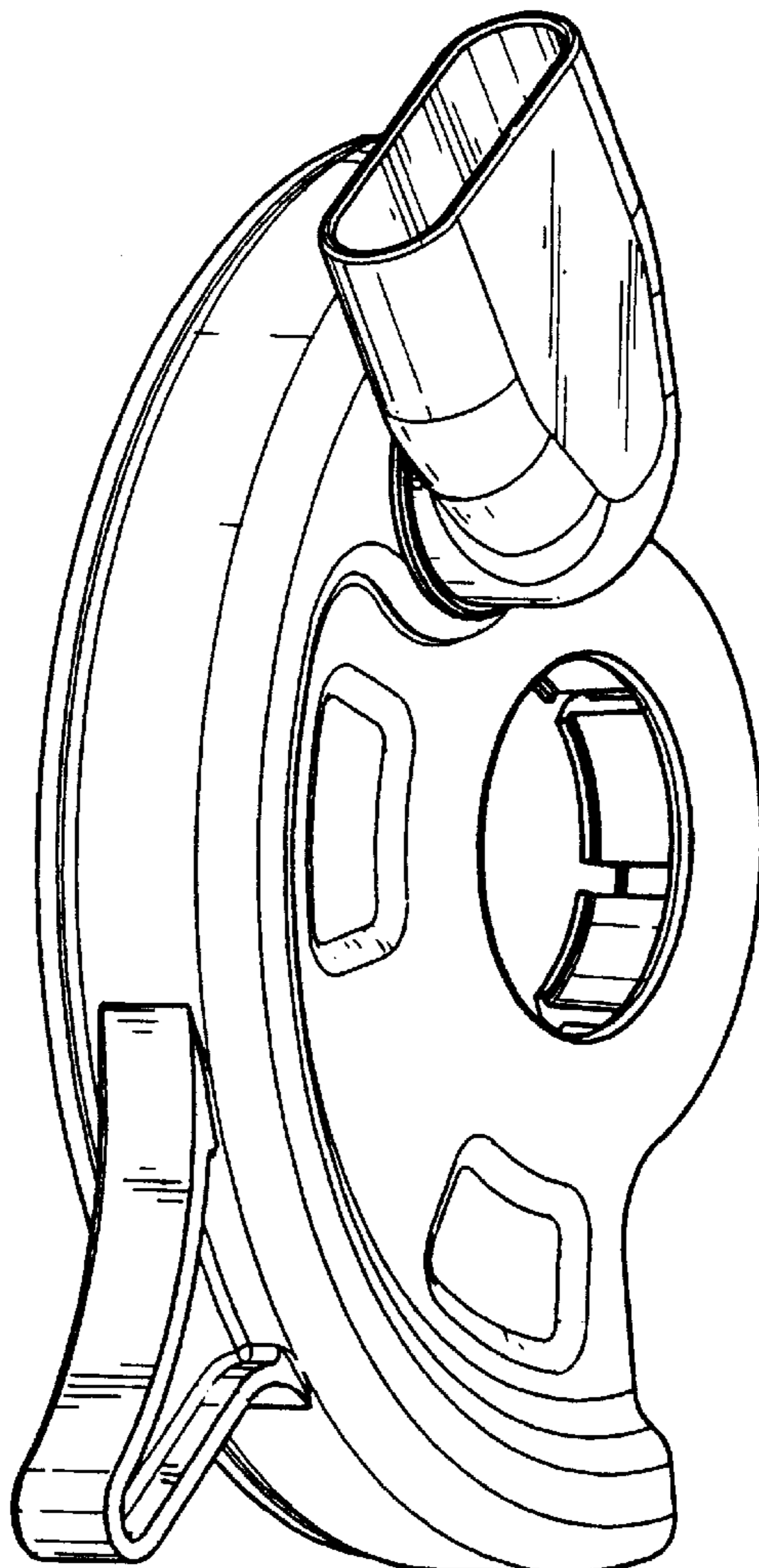
FIG. 1 is a perspective view of the cover with exhausting attachment for engine driven hand tool thereof;
FIG. 2 is a bottom plan view thereof;
FIG. 3 is a perspective view thereof;
FIG. 4 is a top plan view thereof;
FIG. 5 is a rear elevational view thereof;
FIG. 6 is a side elevational view thereof;
FIG. 7 is a front elevational view thereof; and,
FIG. 8 is a side elevational view thereof.

[56] **References Cited**

U.S. PATENT DOCUMENTS

D. 334,331	3/1993	Kikuchi	D8/70
D. 344,879	3/1994	Chan	D8/70
D. 400,417	11/1998	Moran, II	D8/70
4,905,424	3/1990	Nagashima et al.	451/452

1 Claim, 4 Drawing Sheets



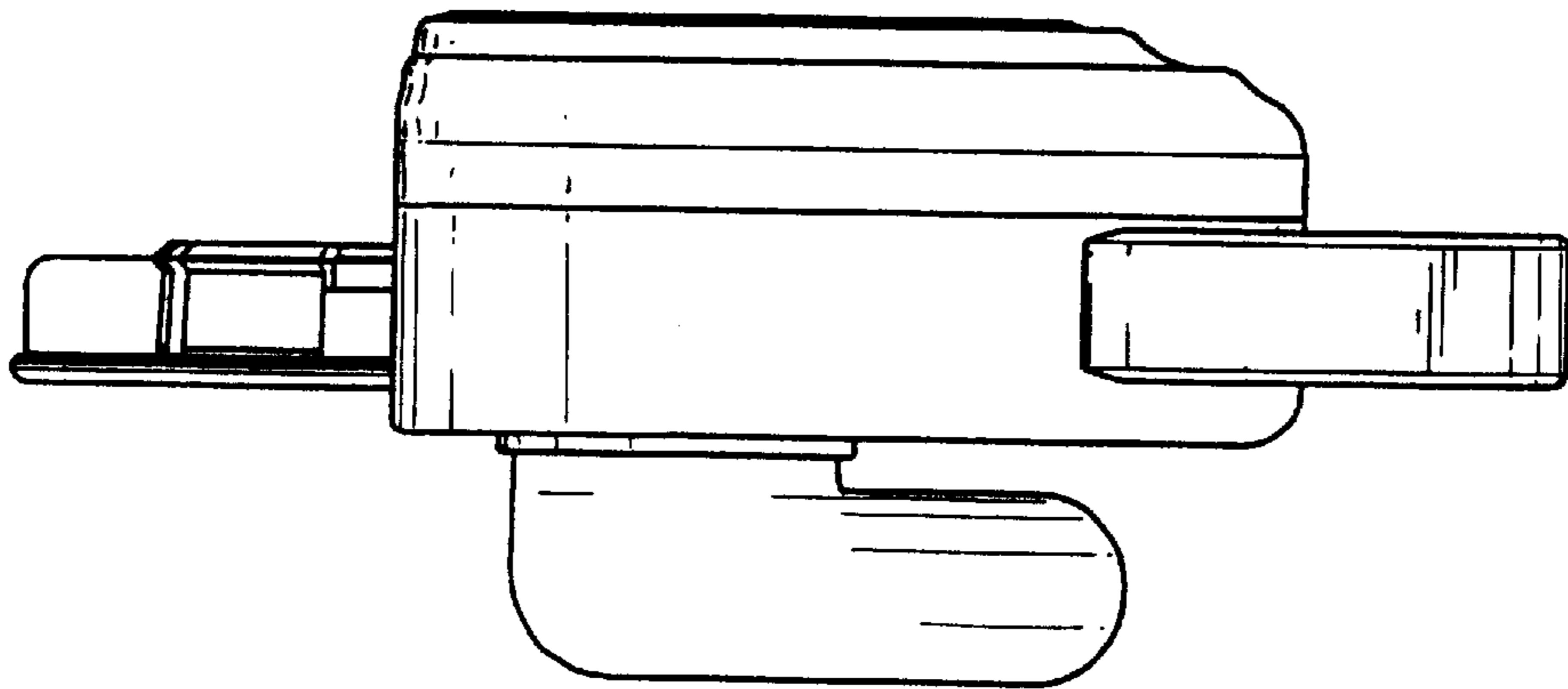


Figure 2

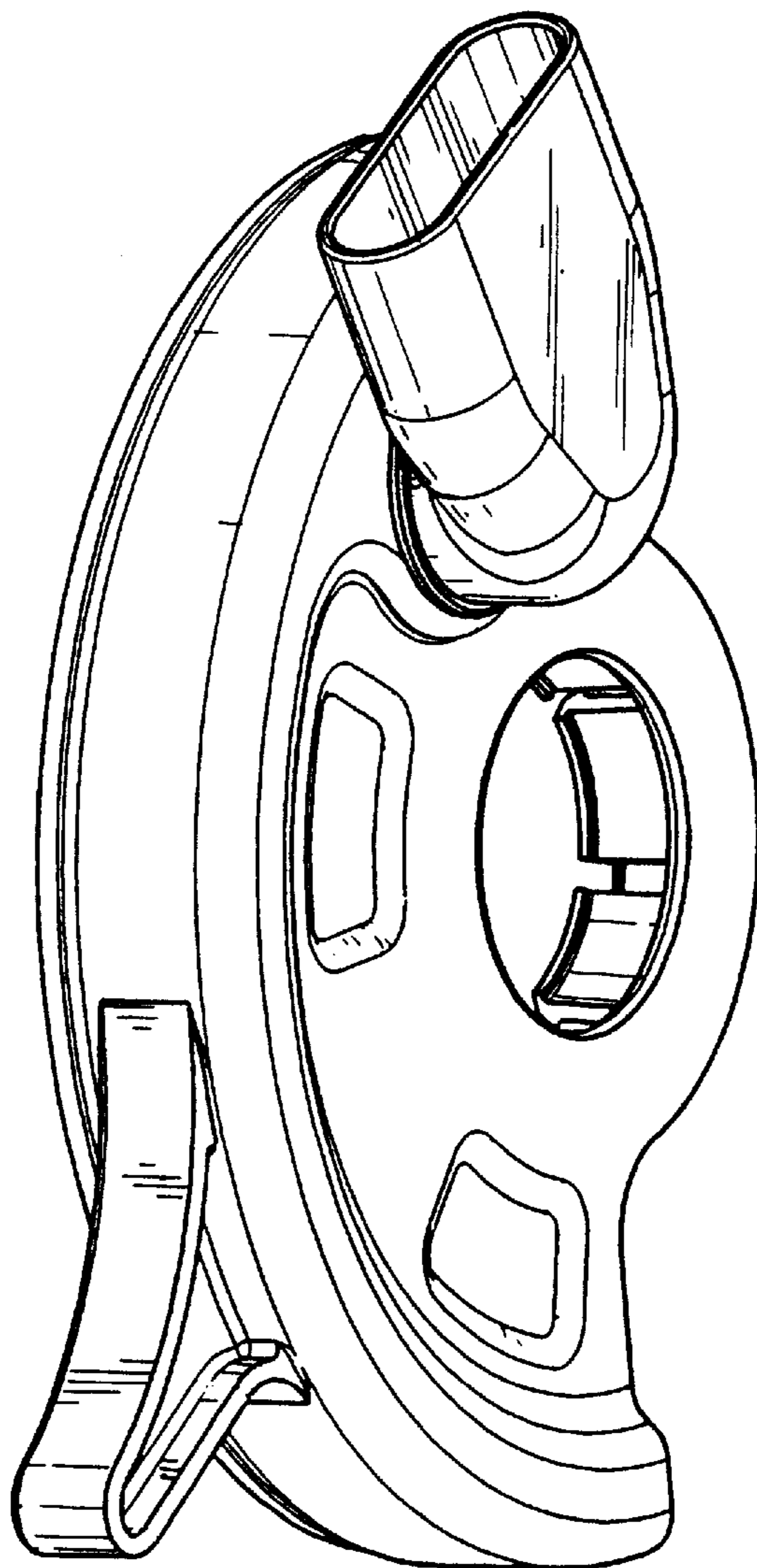


Figure 1

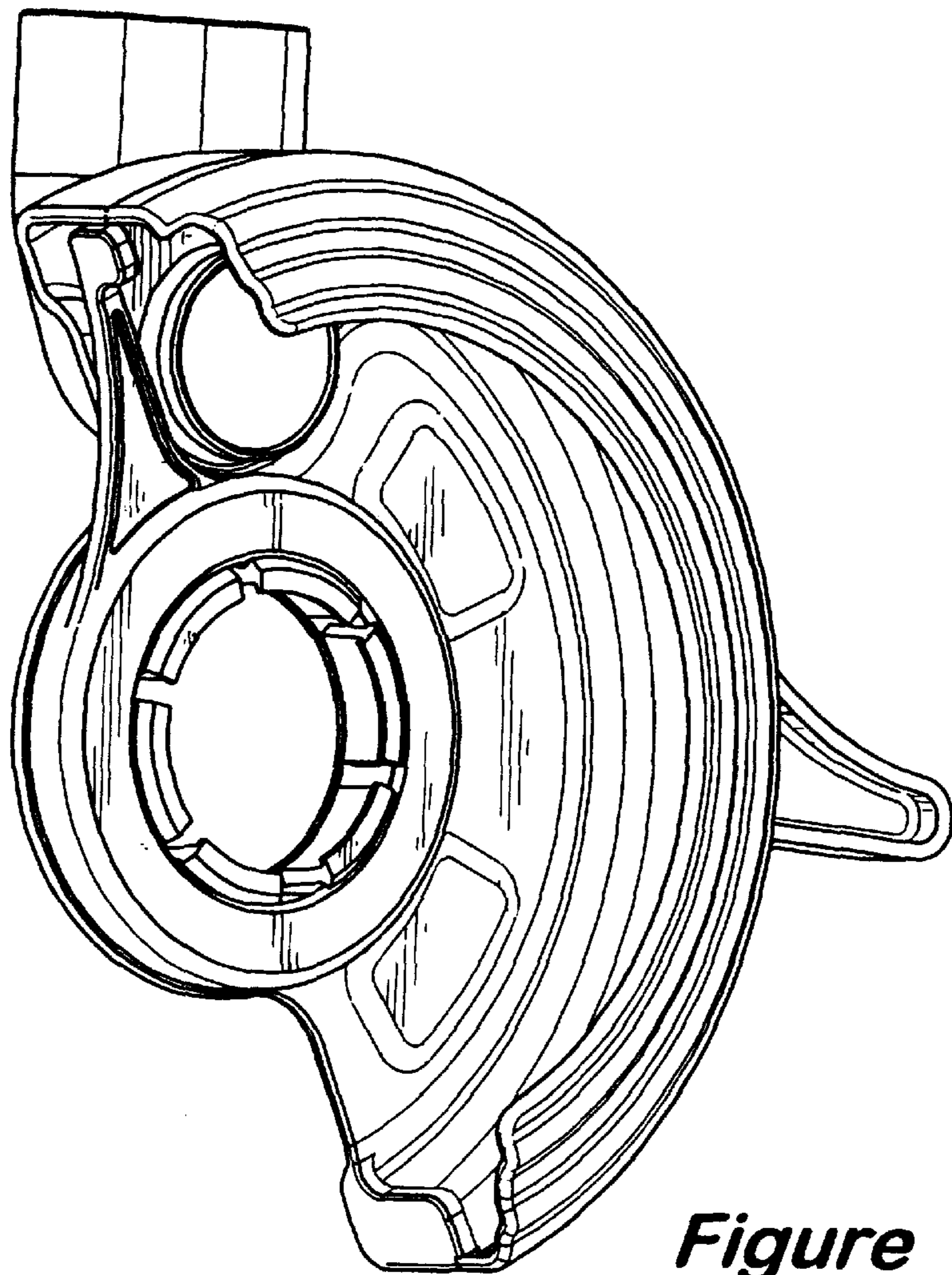


Figure 3

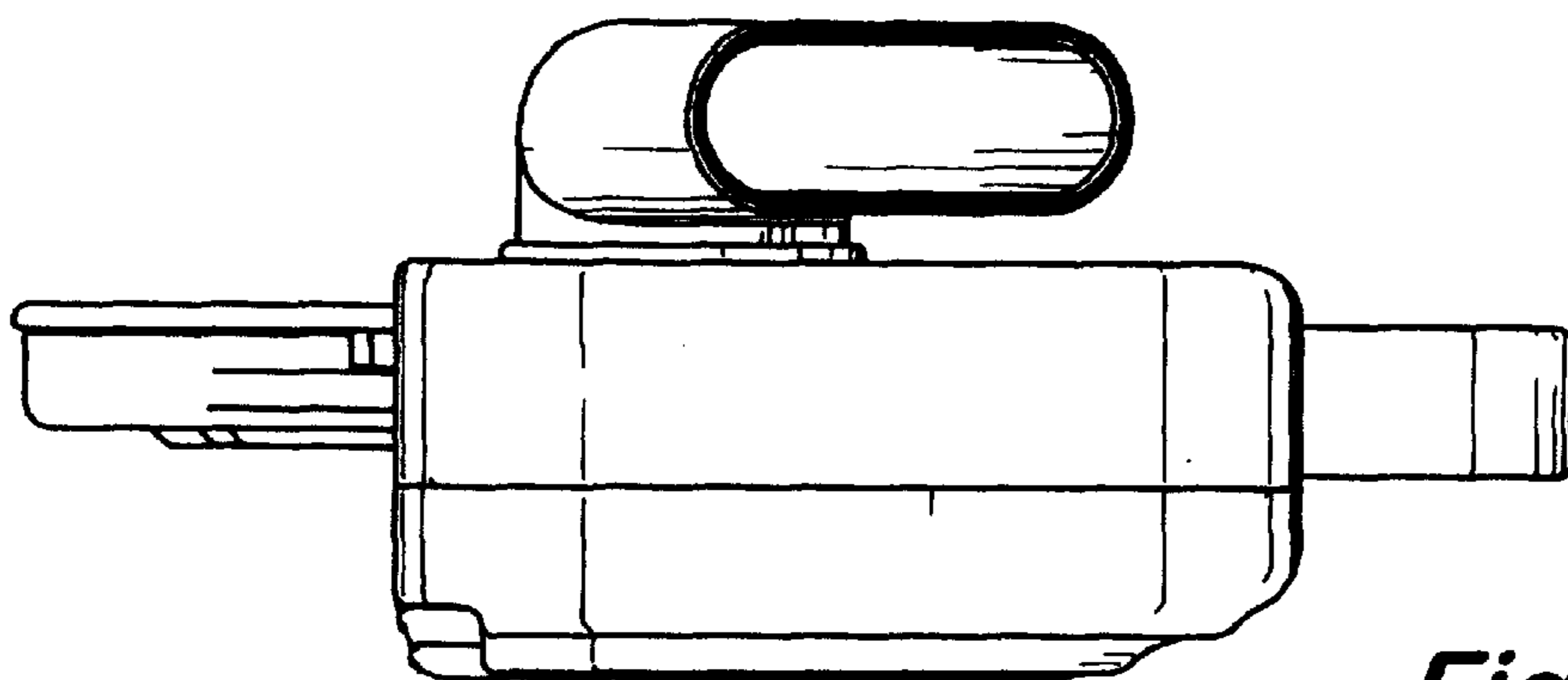


Figure 4

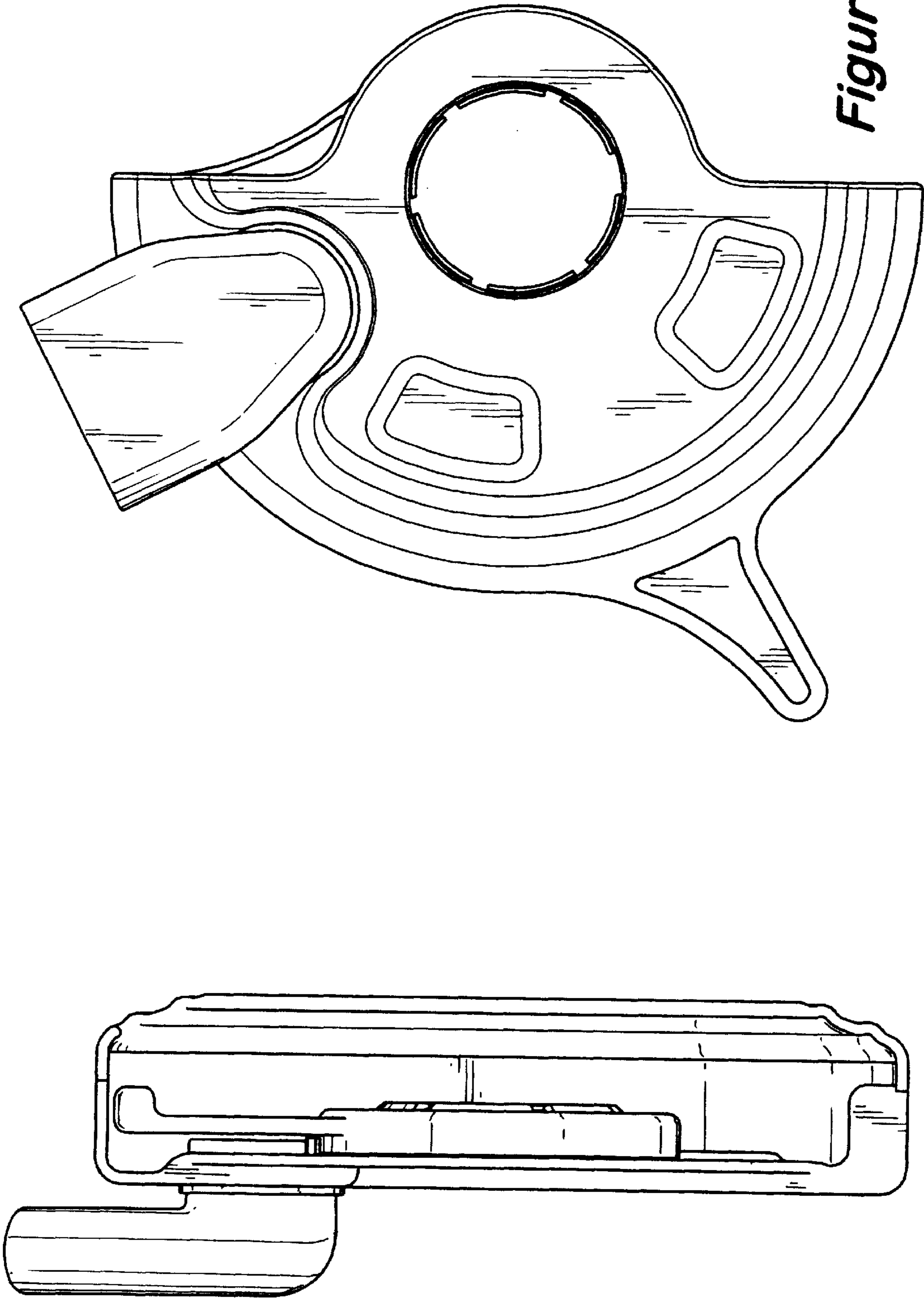


Figure 6

Figure 5

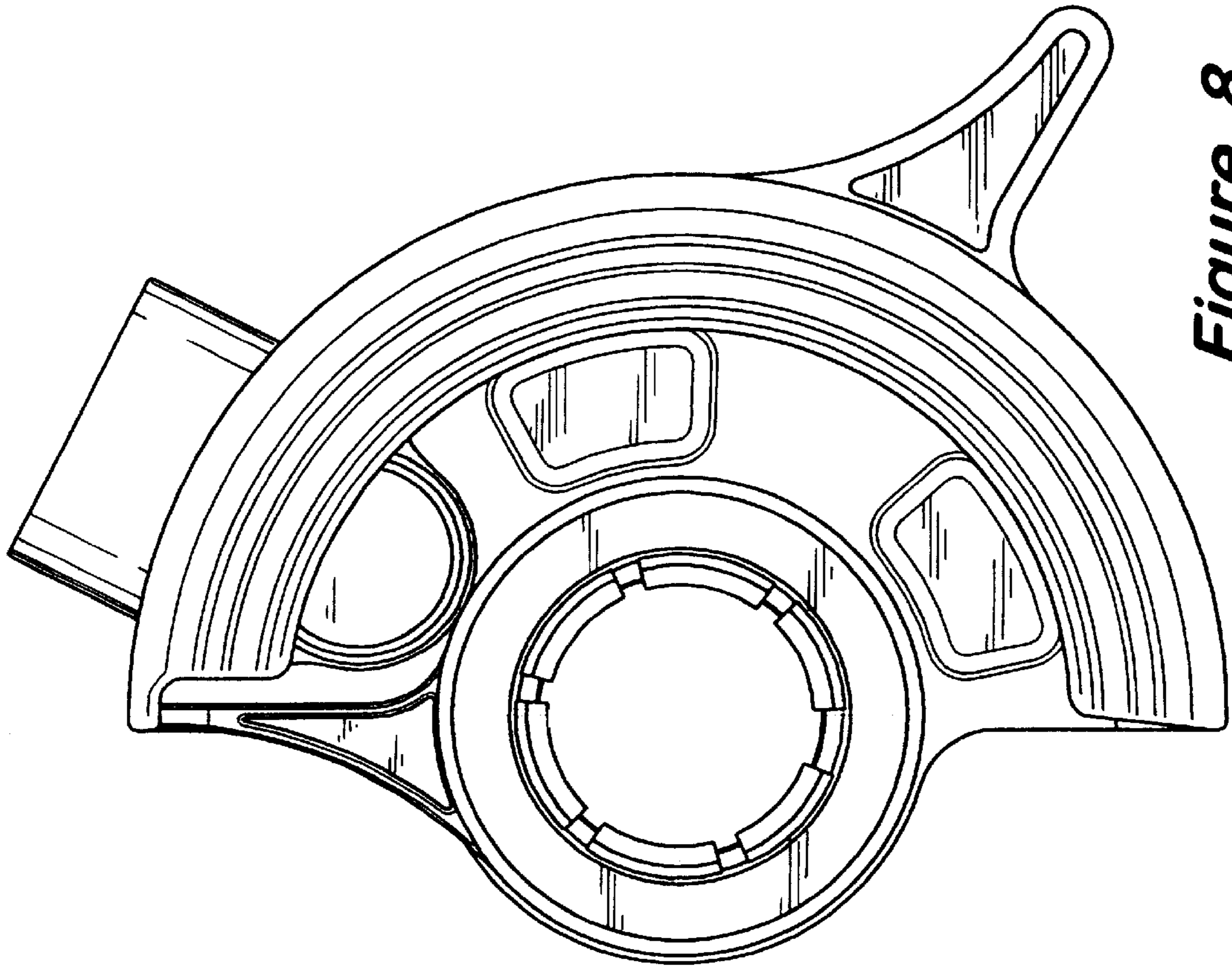


Figure 8

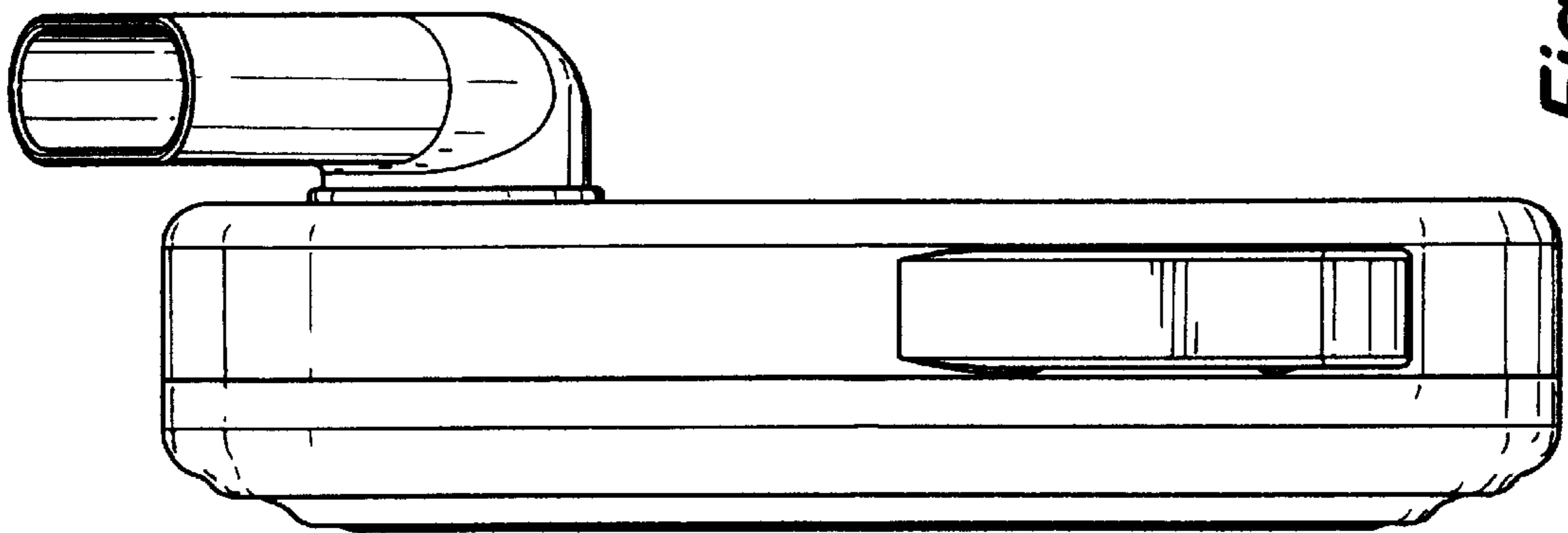


Figure 7