



US00D421702S

# United States Patent [19]

Sakai et al.

[11] Patent Number: **Des. 421,702**

[45] Date of Patent: **\*\* Mar. 21, 2000**

[54] **PORTABLE ELECTRIC CIRCULAR SAW**

[75] Inventors: **Masato Sakai; Akira Onose**, both of Hitachinaka, Japan

[73] Assignee: **Hitachi Koki Co., Ltd.**, Tokyo, Japan

[\*\*] Term: **14 Years**

[21] Appl. No.: **29/097,605**

[22] Filed: **Dec. 10, 1998**

### [30] Foreign Application Priority Data

Jun. 26, 1998 [JP] Japan ..... 10-18565

[51] **LOC (6) Cl.** ..... **08-03**

[52] **U.S. Cl.** ..... **D8/66**

[58] **Field of Search** ..... D8/66; 30/377, 30/387-391

### [56] References Cited

#### U.S. PATENT DOCUMENTS

D. 363,656 10/1995 Glerke ..... D8/66

D. 411,425 6/1999 Sugimoto et al. .... D8/66  
5,832,614 11/1998 Gallagher et al. .... 30/391  
5,850,698 12/1998 Hurn et al. .... 30/391

*Primary Examiner*—Antoine Duval Davis  
*Attorney, Agent, or Firm*—McDermott, Will & Emery

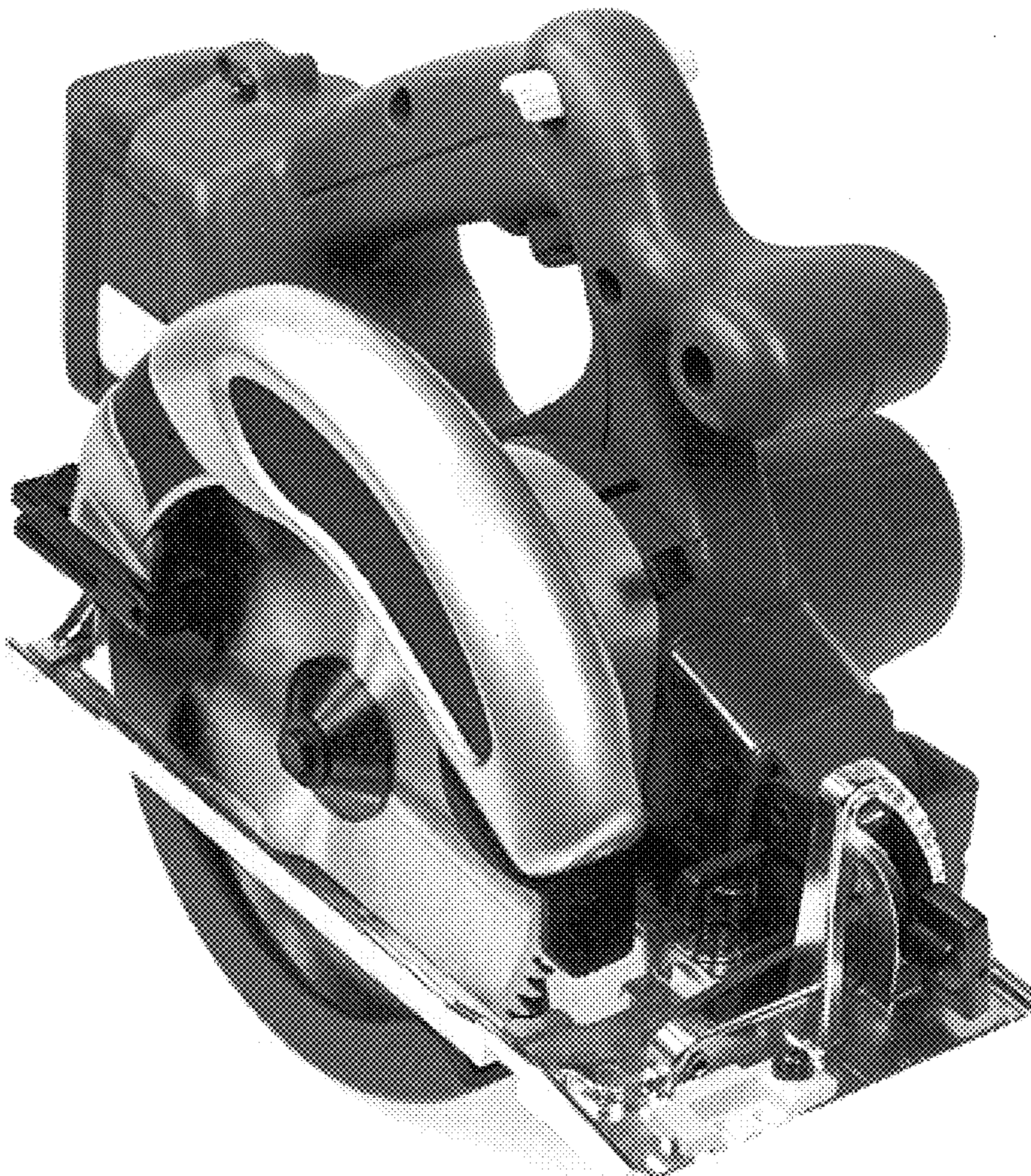
### [57] CLAIM

The ornamental design for a portable electric circular saw, as shown.

### DESCRIPTION

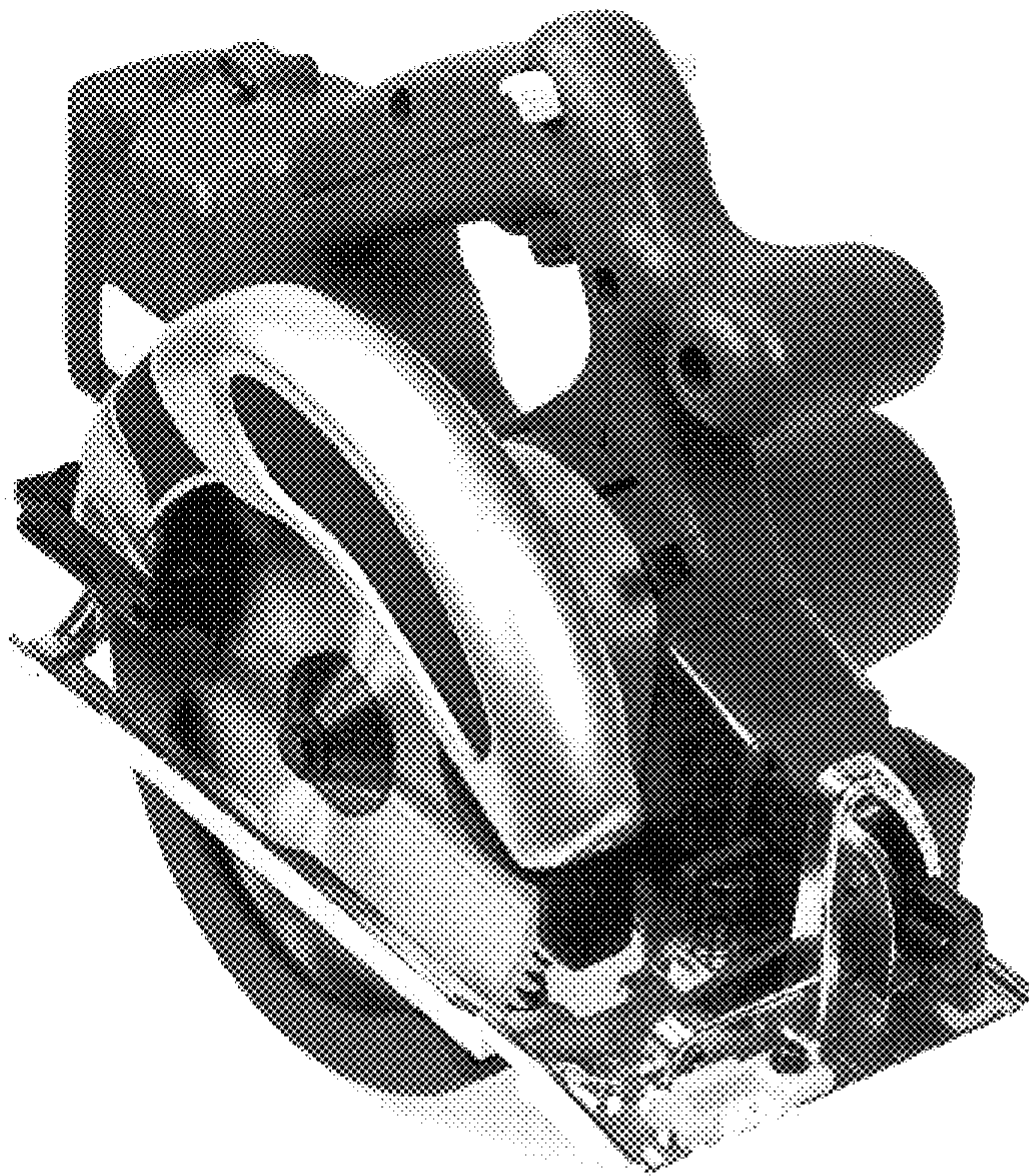
FIG. 1 is a photograph corresponding to a front right perspective view of the portable electric circular saw; FIG. 2 is a photograph corresponding to a front view thereof; FIG. 3 is a photograph corresponding to a top view thereof; FIG. 4 is a photograph corresponding to a bottom view thereof; FIG. 5 is a photograph corresponding to a right side view thereof; FIG. 6 is a photograph corresponding to a left side view thereof; and, FIG. 7 is a photograph corresponding to a rear view thereof.

**1 Claim, 4 Drawing Sheets**

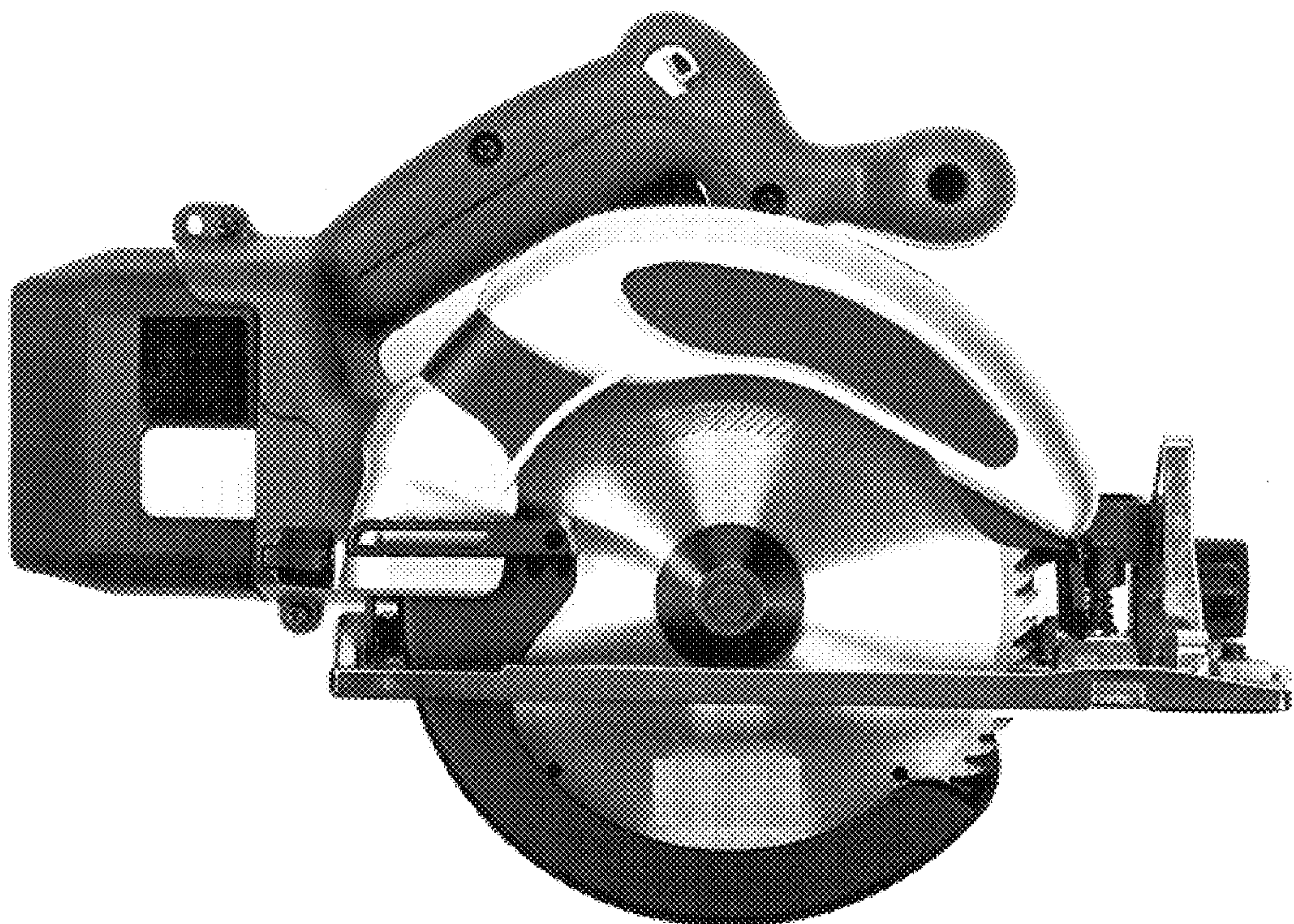




*FIG. 1*

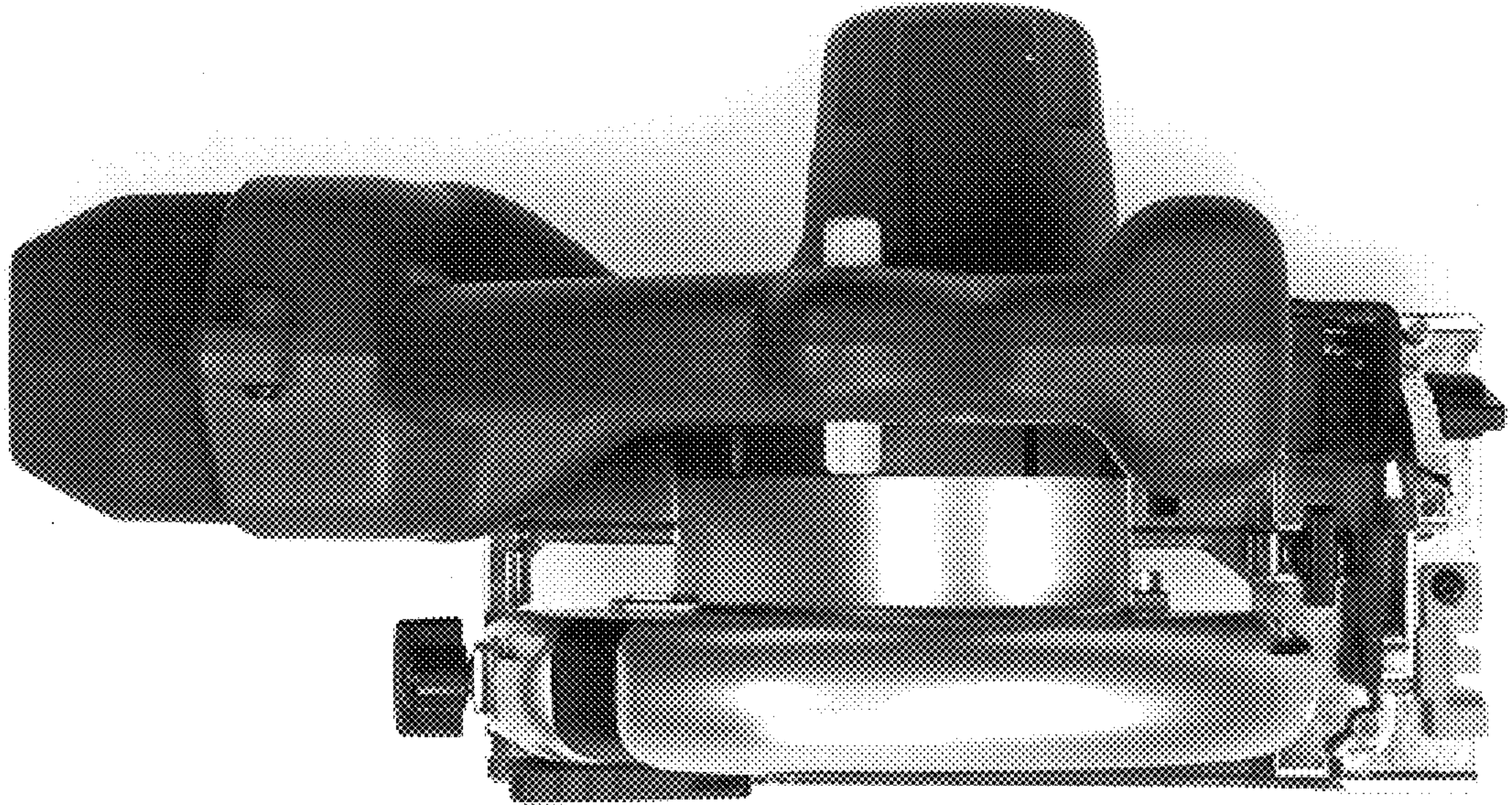


*FIG. 2*

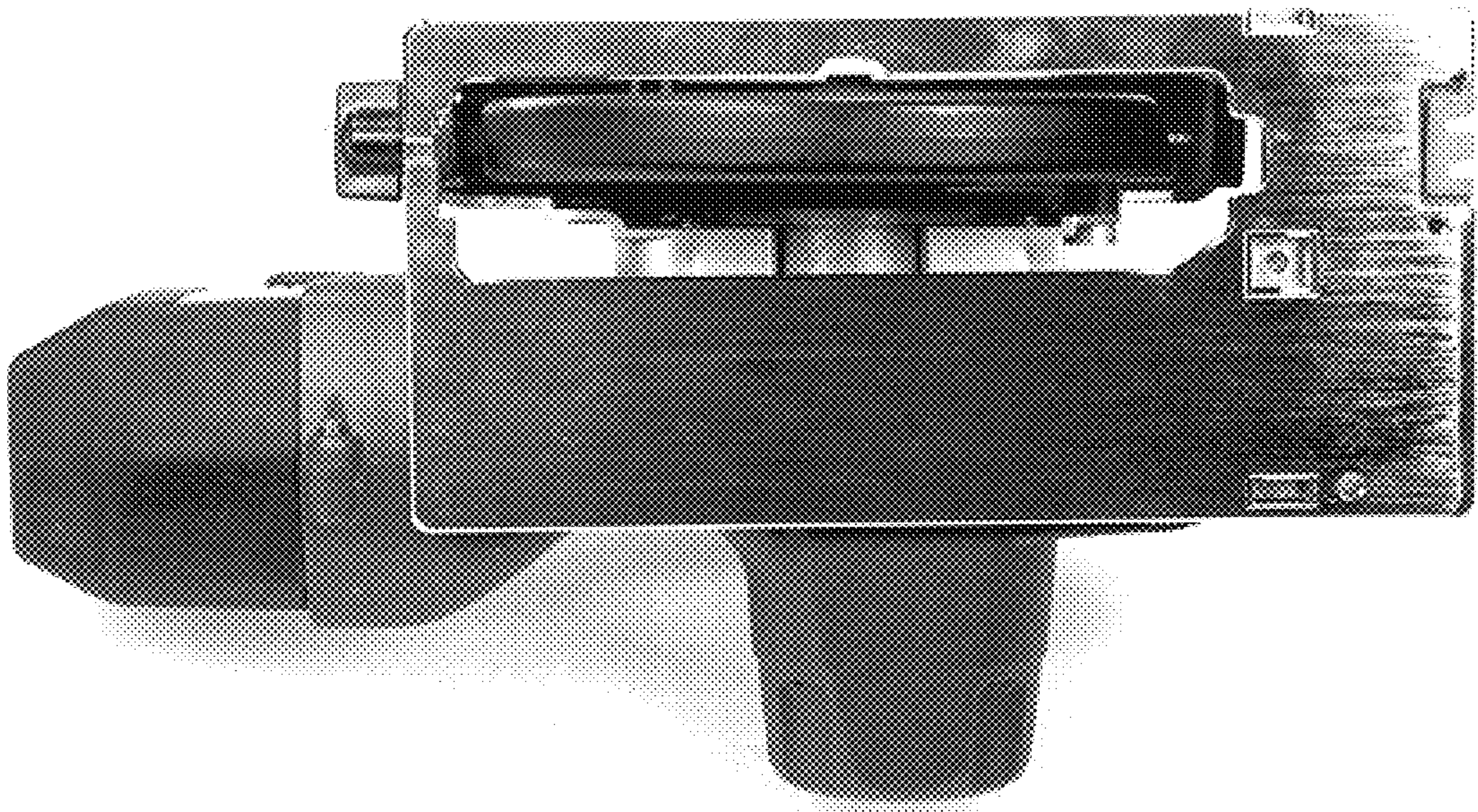




*FIG. 3*

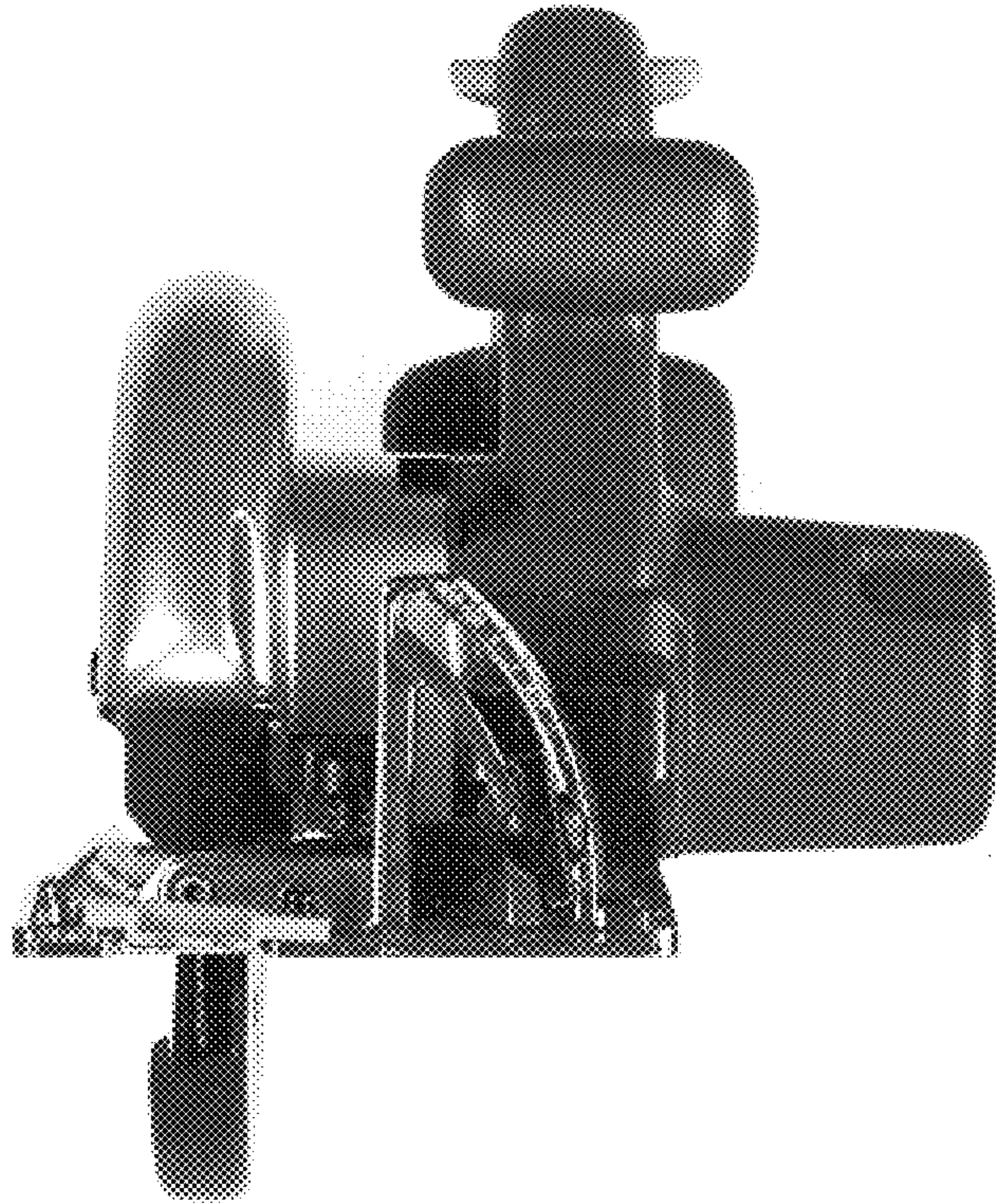


*FIG. 4*

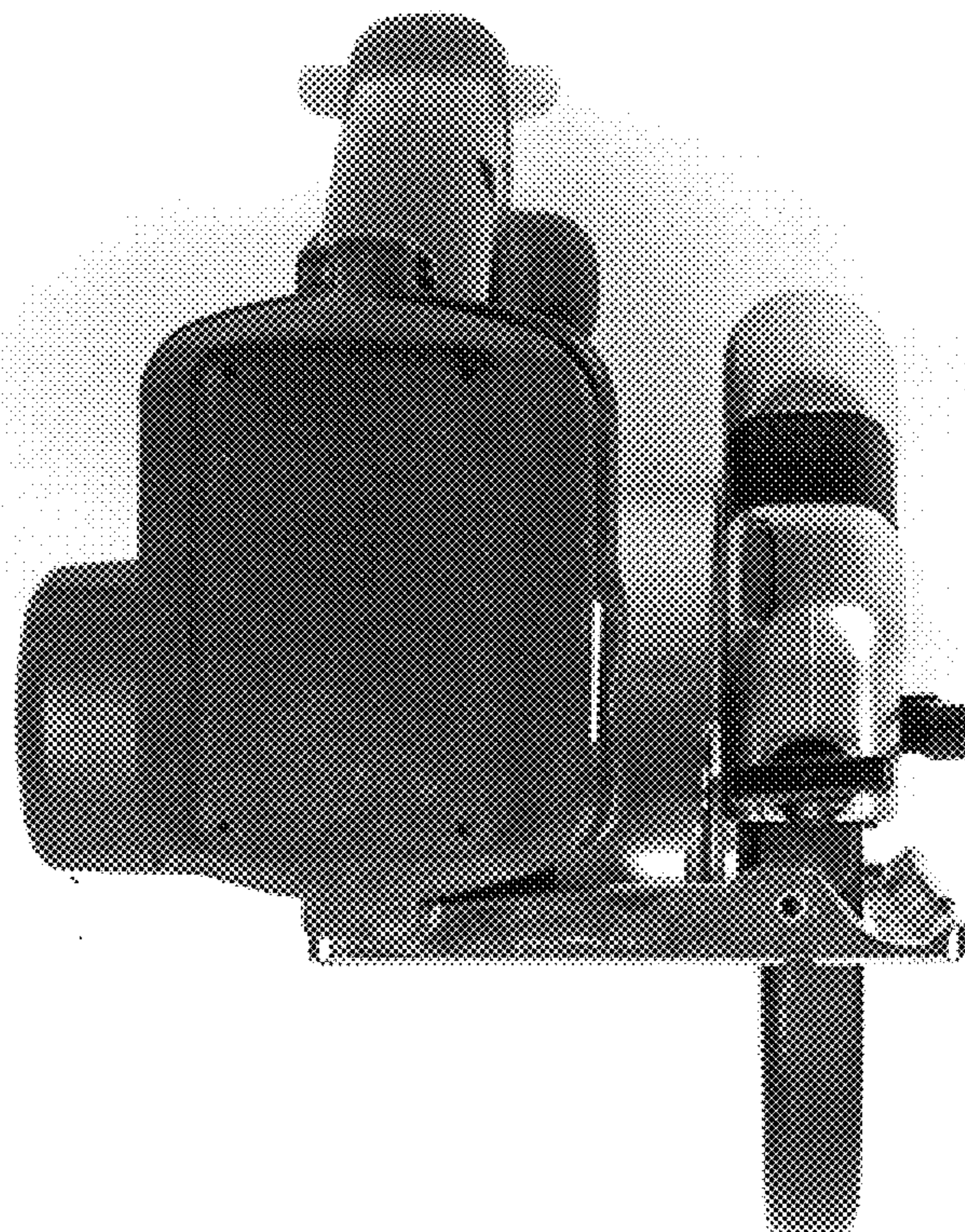




*FIG. 5*



*FIG. 6*





*FIG. 7*

