



US00D421694S

United States Patent [19] Kitabayashi et al.

[11] **Patent Number: Des. 421,694**
[45] **Date of Patent: ** Mar. 21, 2000**

[54] **GAS COOKTOP**

[75] Inventors: **Joey Kitabayashi**, La Mirada; **Robert A. Lewis**, Alta Loma; **Michael Markowich**, Upland, all of Calif.; **Carl H. Adams**, Paradise Valley, Ariz.

[73] Assignee: **Distinctive Applicances, Inc.**, Pasadena, Calif.

[**] Term: **14 Years**

[21] Appl. No.: **29/086,668**

[22] Filed: **Apr. 17, 1998**

[51] **LOC (6) Cl. 07-02**

[52] **U.S. Cl. D7/346**

[58] **Field of Search** D7/339-349, 402-409; D23/415, 417-419; 219/458, 460, 464, 538, 552; 126/39 J, 39 E, 40, 39 R, 211, 214 R, 214 A, 214 C; 431/247

[56] **References Cited**

U.S. PATENT DOCUMENTS

D. 174,998 6/1955 Sandin D7/346

D. 193,232 7/1962 Brown D7/346
D. 289,487 4/1987 Schultz D7/346
D. 343,336 1/1994 Falk D7/407
D. 372,630 8/1996 Lewis et al. D7/346
3,044,459 7/1962 Brown 126/39 H

Primary Examiner—Ruth McInroy
Attorney, Agent, or Firm—Lyon & Lyon LLP

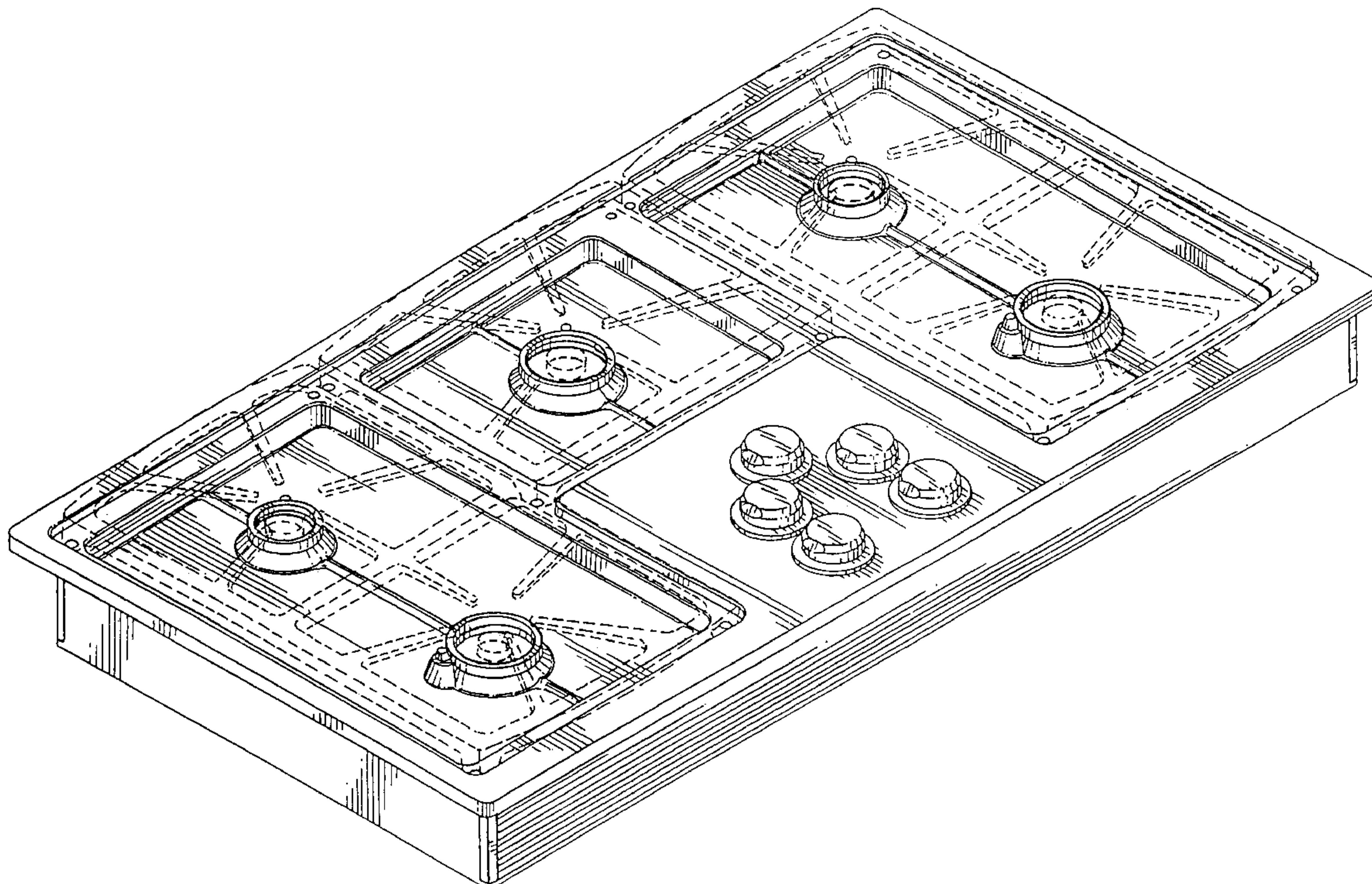
[57] **CLAIM**

The ornamental design for a gas cooktop, as shown and described.

DESCRIPTION

FIG. 1 is a perspective view of a gas cooktop showing our new design, the conventional grates shown in broken lines are for illustrative purposes only and form no part of the claimed design;
FIG. 2 is a top plan view thereof;
FIG. 3 is a right side elevation view thereof, the left side being a mirror image; and,
FIG. 4 is a front elevation view thereof, the rear view being a mirror image.

1 Claim, 3 Drawing Sheets



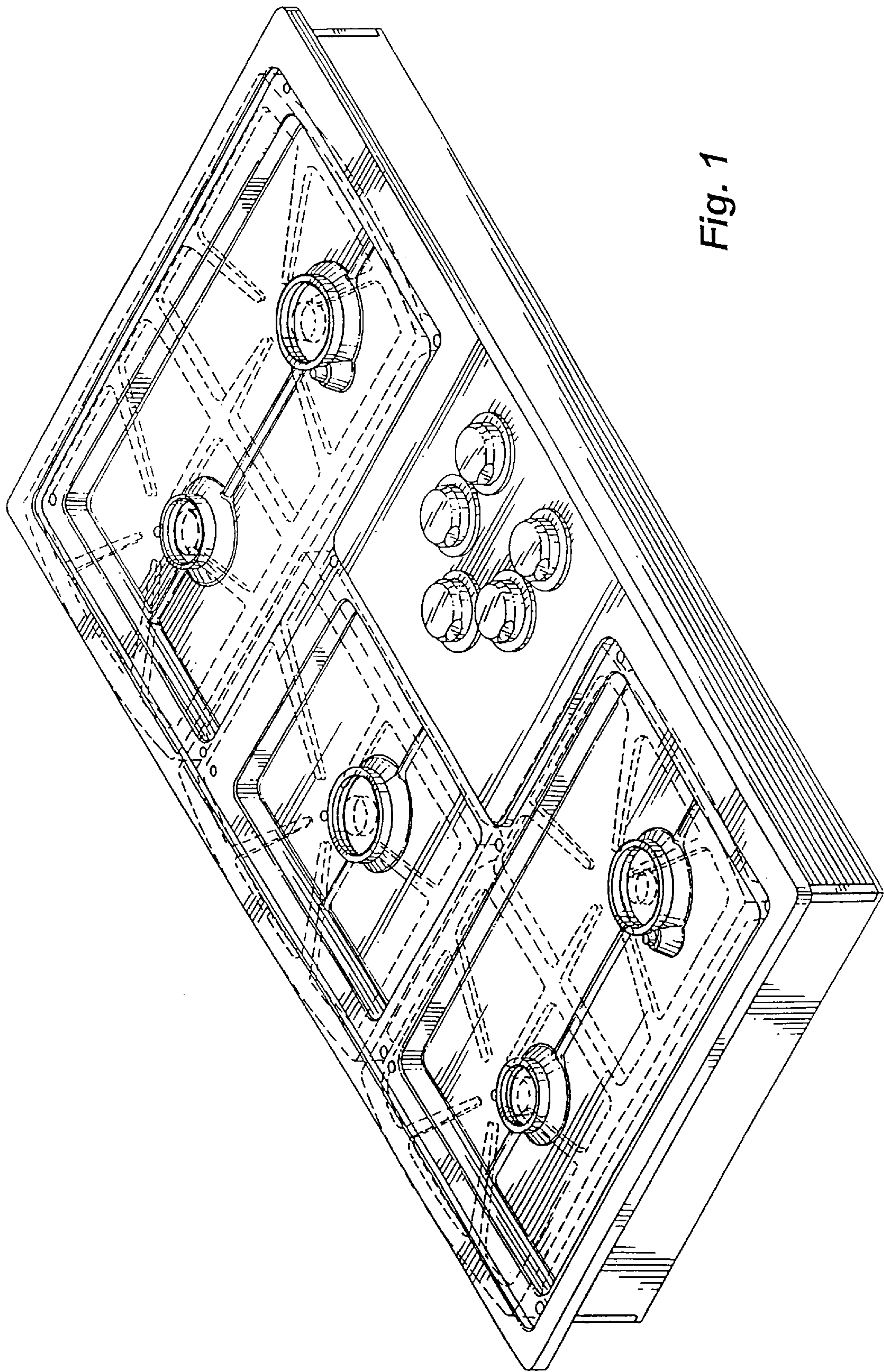


Fig. 1

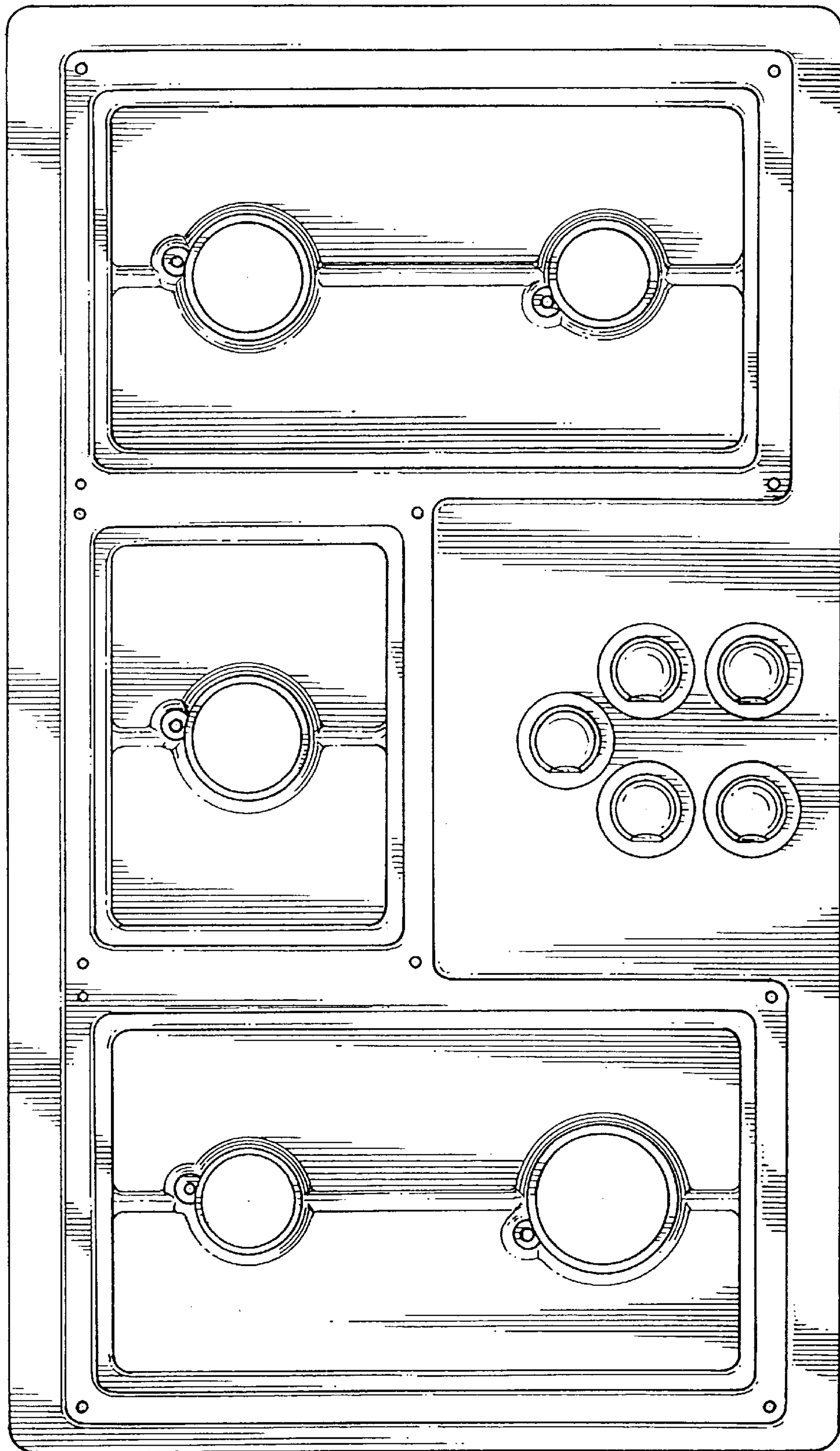


Fig. 2

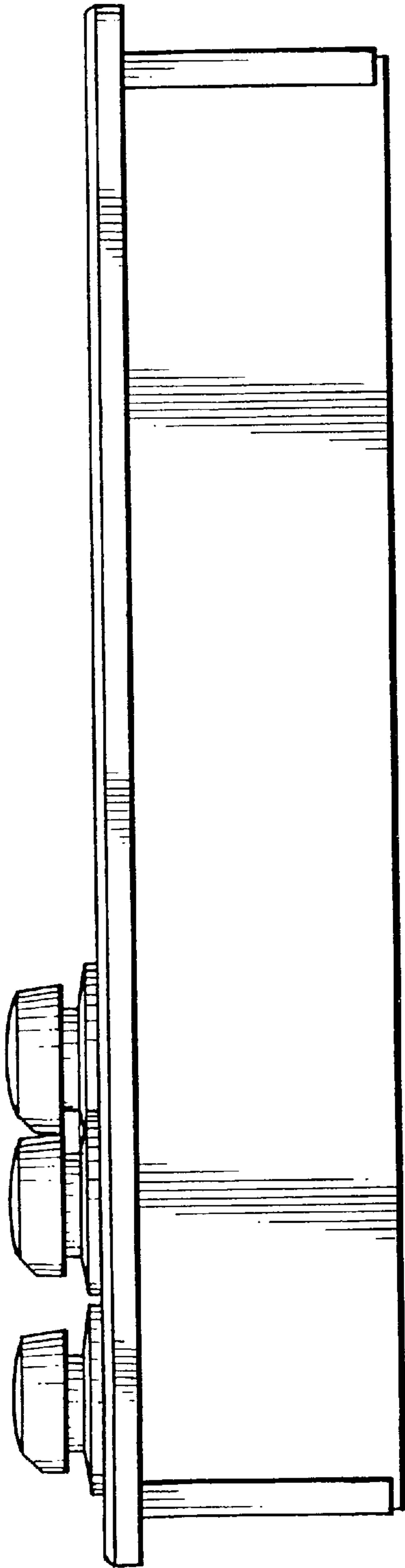


Fig. 3

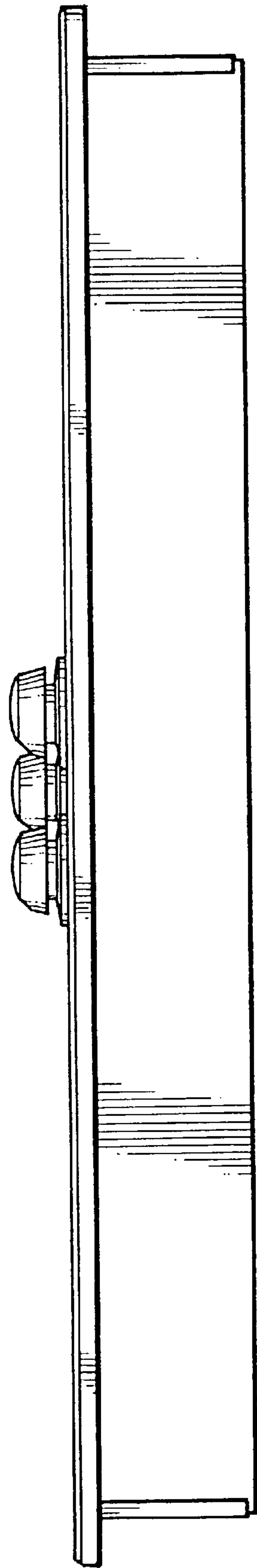


Fig. 4