



US00D421692S

United States Patent [19]

[11] **Patent Number: Des. 421,692**

Wojtowicz et al.

[45] **Date of Patent: ** Mar. 21, 2000**

[54] **POLE CADDY**

D. 382,751 8/1997 Andrus D6/525
D. 388,642 1/1998 Winter D6/525
D. 394,968 6/1998 Gottwald D6/524 X

[75] Inventors: **Paul Wojtowicz**, Downingtown, Pa.;
James A. Hofman, Hockessin, Del.

Primary Examiner—Brian N. Vinson
Attorney, Agent, or Firm—Edgar A. Zarins; Lloyd D. Doigan

[73] Assignee: **Zenith Products Corp.**, New Castle, Del.

[**] Term: **14 Years**

[57] CLAIM

[21] Appl. No.: **29/104,148**

The ornamental design for a pole caddy, as shown and described.

[22] Filed: **Apr. 29, 1999**

DESCRIPTION

[51] **LOC (6) Cl.** **07-07**

[52] **U.S. Cl.** **D6/525; D6/570**

[58] **Field of Search** D6/524, 525, 553,
D6/559, 560, 561, 562, 567, 569, 570;
211/86-89, 90, 126, 134.1, 128

FIG. 1 is a top and front perspective view of a pole caddy showing our new design;
FIG. 2 is an enlarged front elevational view thereof;
FIG. 3 is an enlarged left side elevational view thereof, the right side being a mirror image of that shown;
FIG. 4 is an enlarged top plan view thereof; and,
FIG. 5 is an enlarged bottom plan view thereof.

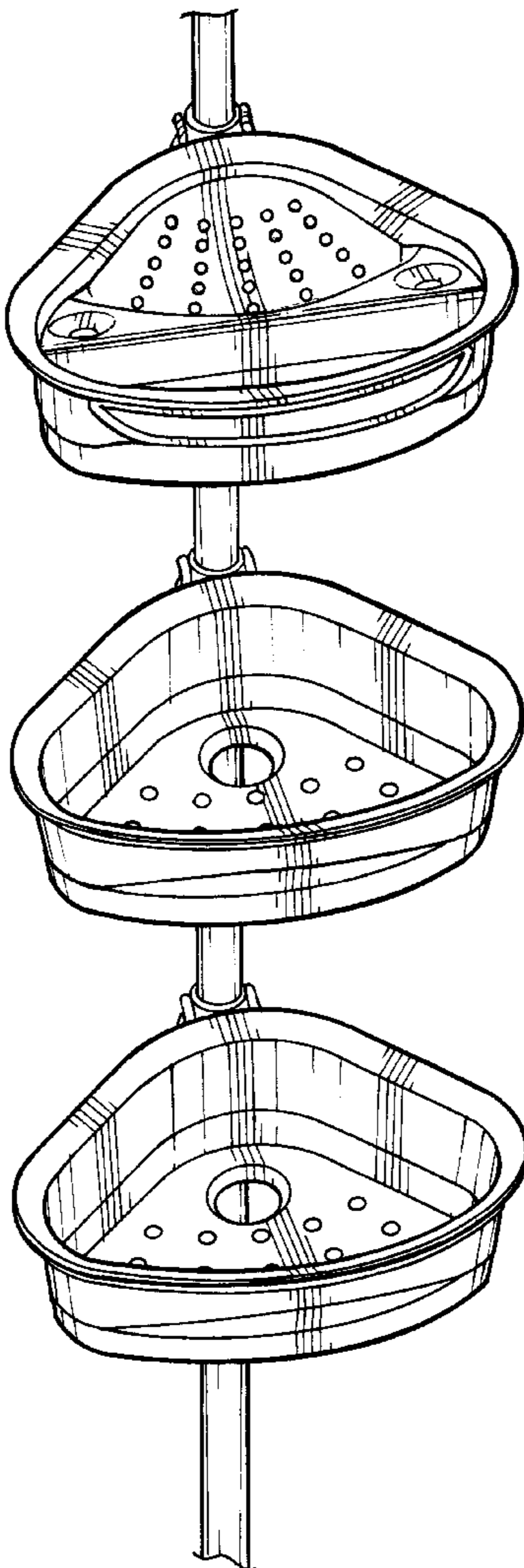
[56] References Cited

The pole is shown broken-away in the views to indicated indeterminate length.

U.S. PATENT DOCUMENTS

D. 351,751 10/1994 Brightbill et al. D6/525
D. 364,767 12/1995 McLinden D6/525
D. 379,412 5/1997 Hampshire D6/562 X

1 Claim, 4 Drawing Sheets



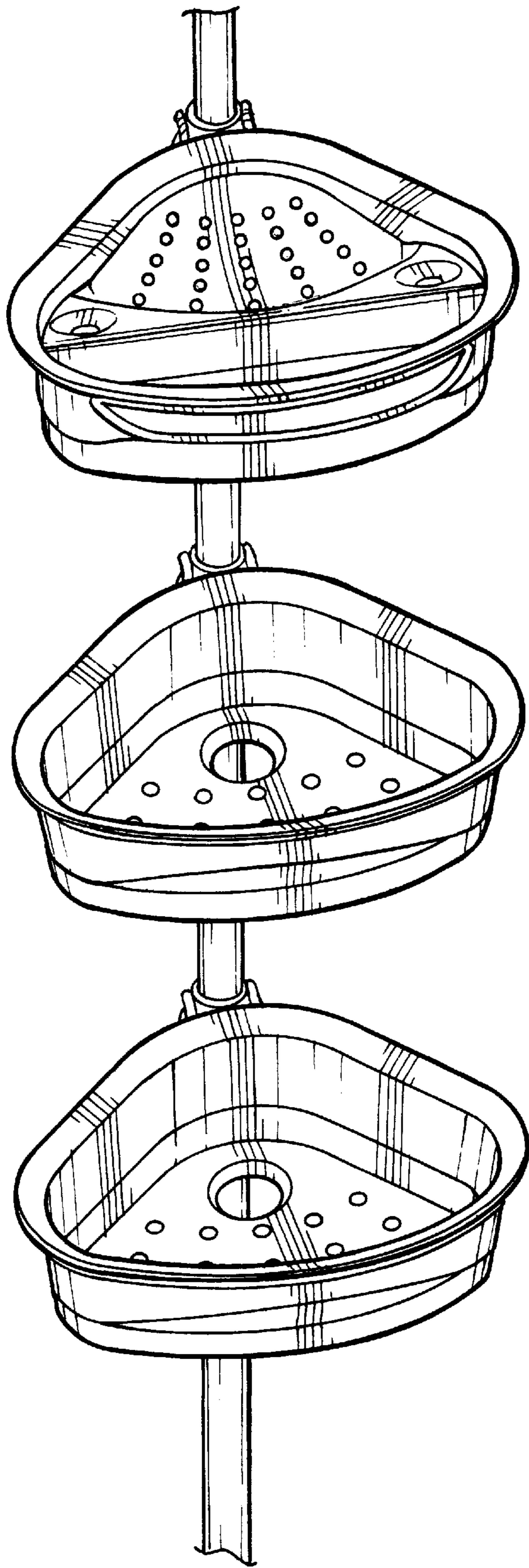


Fig-1

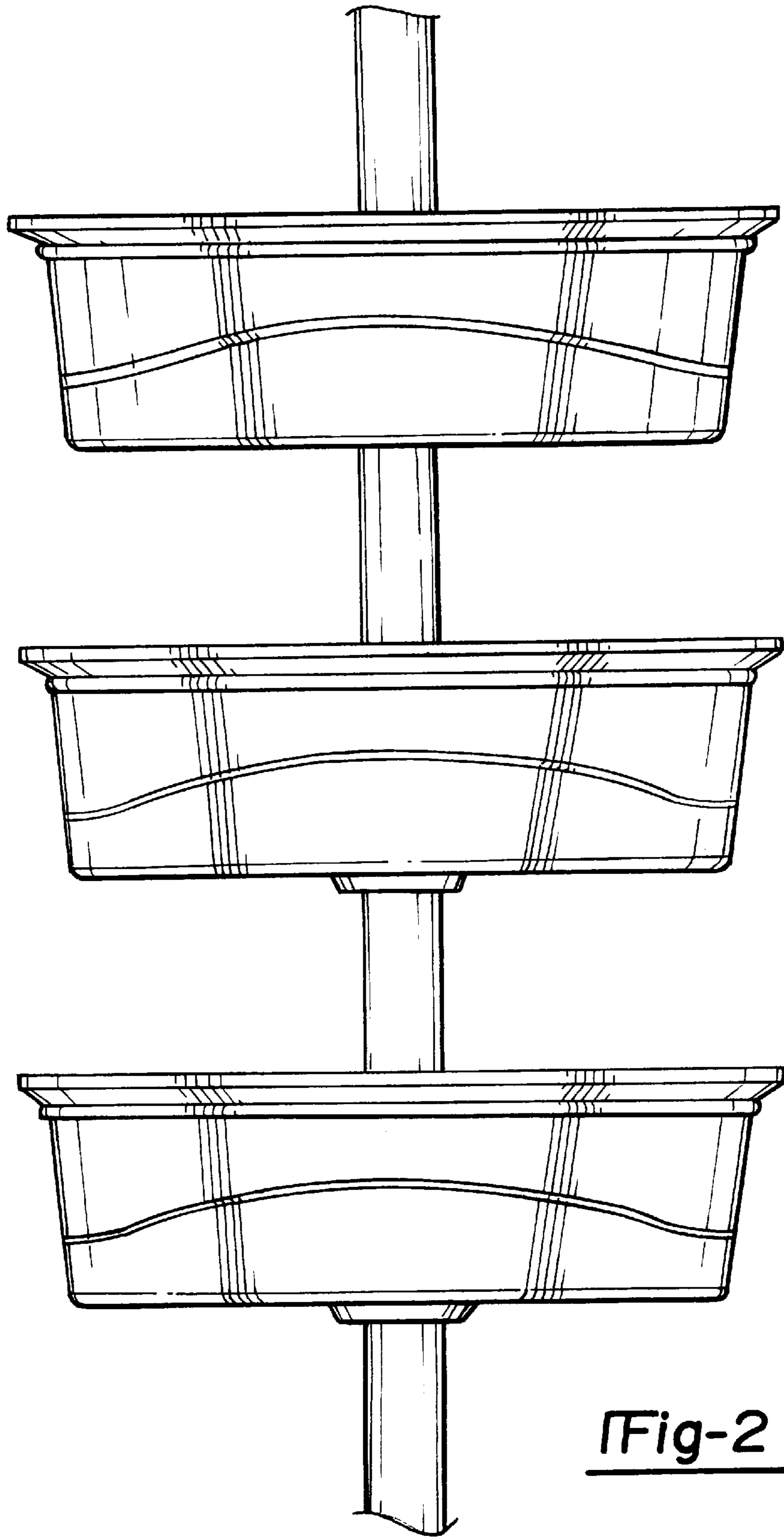


Fig-2

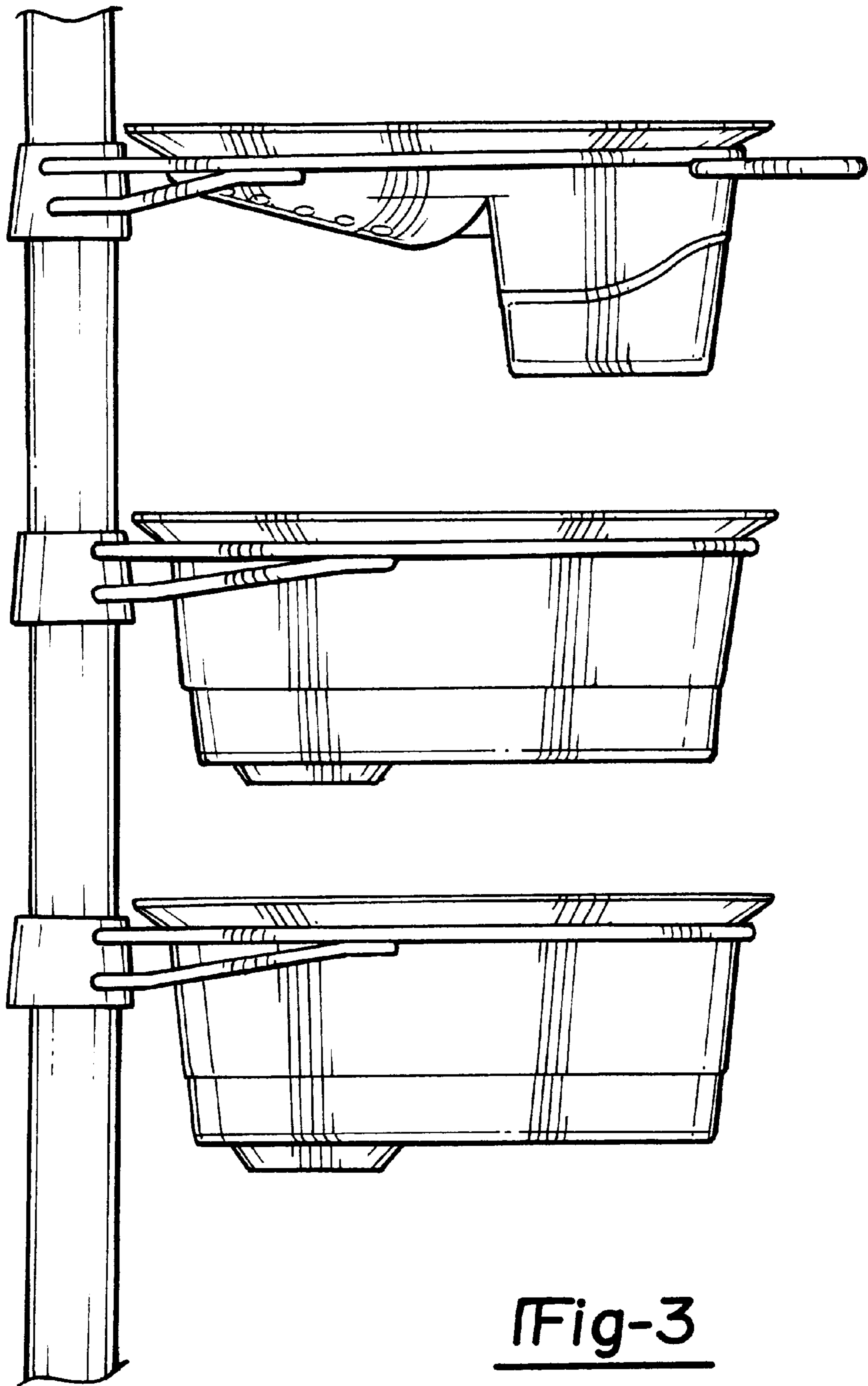


Fig-3

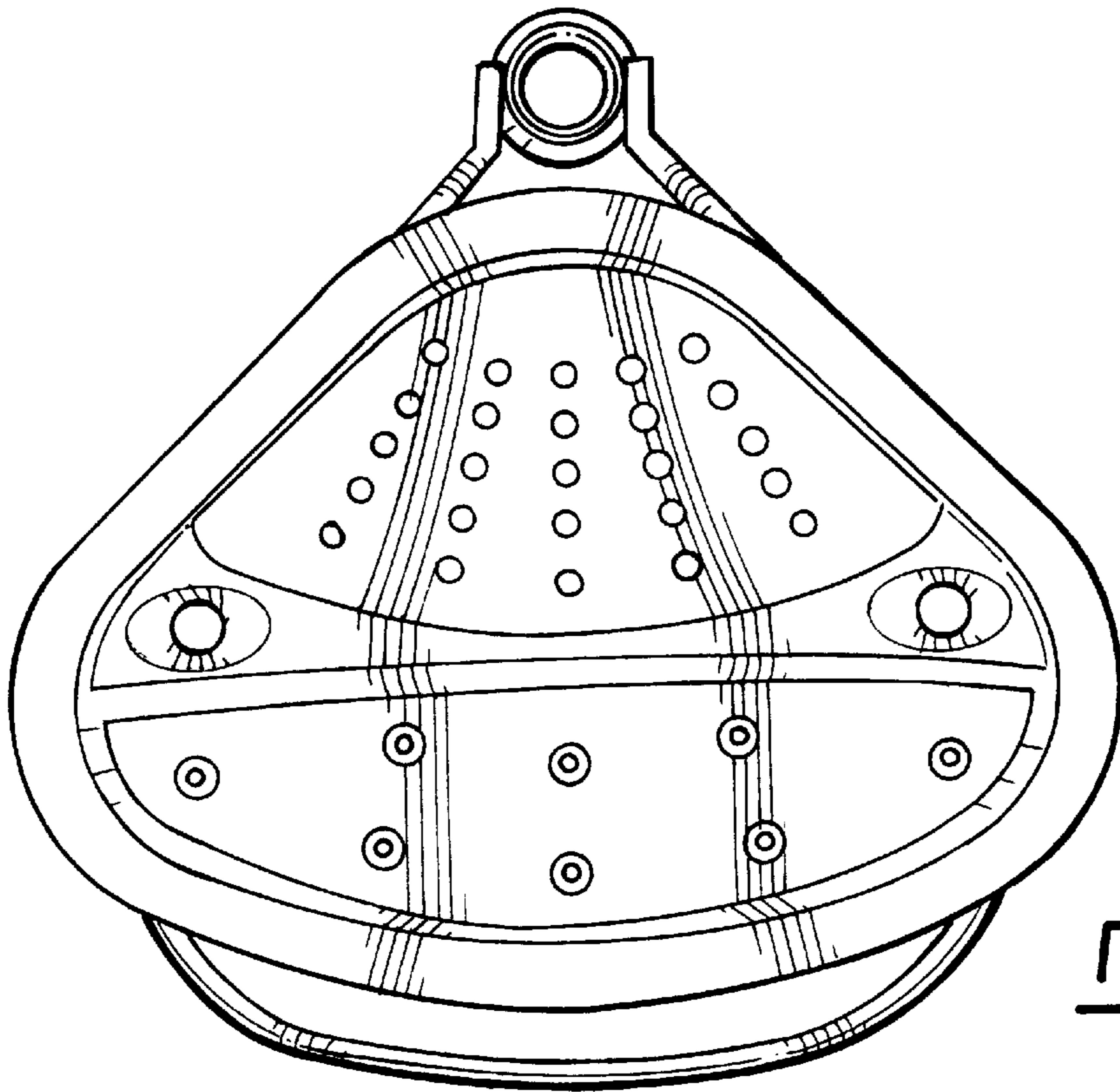


Fig-4

Fig-5

