



US00D421689S

United States Patent [19] Gesing

[11] **Patent Number: Des. 421,689**

[45] **Date of Patent: ** Mar. 21, 2000**

[54] **FURNITURE PANEL**

[76] Inventor: **Sahara-A. Gesing**, 2510 Valencia Ter.,
Charlotte, N.C. 28226

[**] Term: **14 Years**

[21] Appl. No.: **29/105,064**

[22] Filed: **May 17, 1999**

Related U.S. Application Data

[62] Division of application No. 29/078,024, Oct. 15, 1997, Pat.
No. Des. 415,633.

[51] **LOC (6) Cl.** **06-06**

[52] **U.S. Cl.** **D6/491; D6/492**

[58] **Field of Search** D6/480-489, 495,
D6/511, 436, 477; 108/153.1, 156, 157.1,
161, 91; 248/188, 188.1, 188.8

[56] References Cited

U.S. PATENT DOCUMENTS

D. 281,125 10/1985 Brown D6/477
D. 371,700 7/1996 Rosen D6/483

OTHER PUBLICATIONS

Ethan Allen c1992, p. 233, #7 table at bottom and center.
Thomasville Replicas 1800, p. 14, Jan. 1984.
Pennsylvania House, Jun. 1994, p. 134, cocktail table at
lower left, #17-1201.

Lazarus, Aug. 1992, front cover, table.

Thomasville, Replicas 11800, p. 24, Jan. 1984, table at top
left.

Primary Examiner—Janice E. Seeger
Attorney, Agent, or Firm—Kilpatrick Stockton LLP;
Charles W. Calkins; James J. Bindseil

[57] CLAIM

The ornamental design for a furniture panel, as shown and
described.

DESCRIPTION

FIG. 1 is a perspective view of the details of a furniture panel
of my new design;

FIG. 2 is a perspective view thereof in a first table;

FIG. 3 is a perspective view thereof in a second table;

FIG. 4 is a perspective view thereof in a third table;

FIG. 5 is a perspective view thereof in a fourth table;

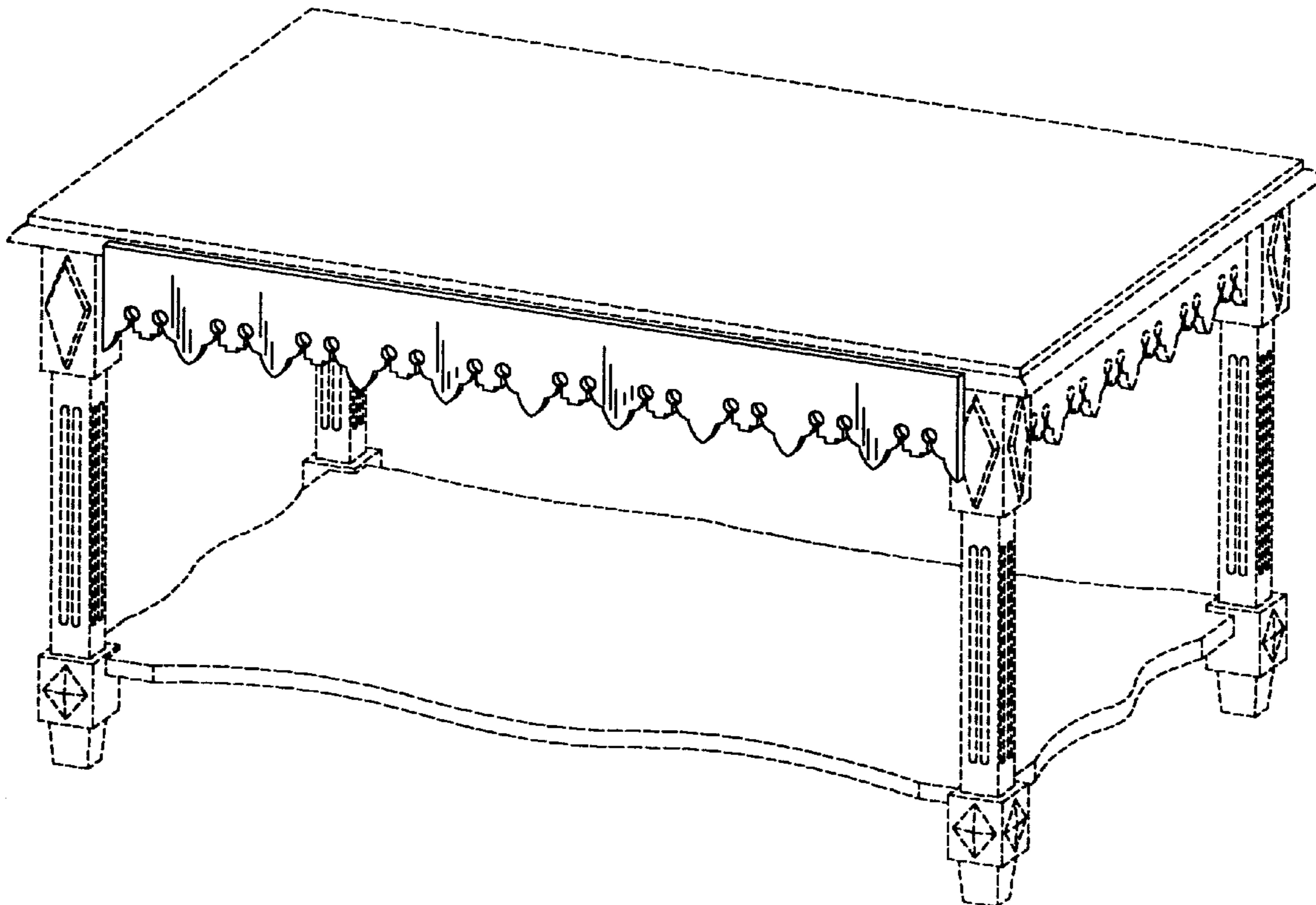
FIG. 6 is a perspective view thereof in a fifth table;

FIG. 7 is a perspective view thereof in a buffet table; and,

FIG. 8 is a perspective view thereof in a rack.

The broken lines in FIGS. 1-8 are for illustrative purposes
only and form no part of the claimed design.

1 Claim, 4 Drawing Sheets



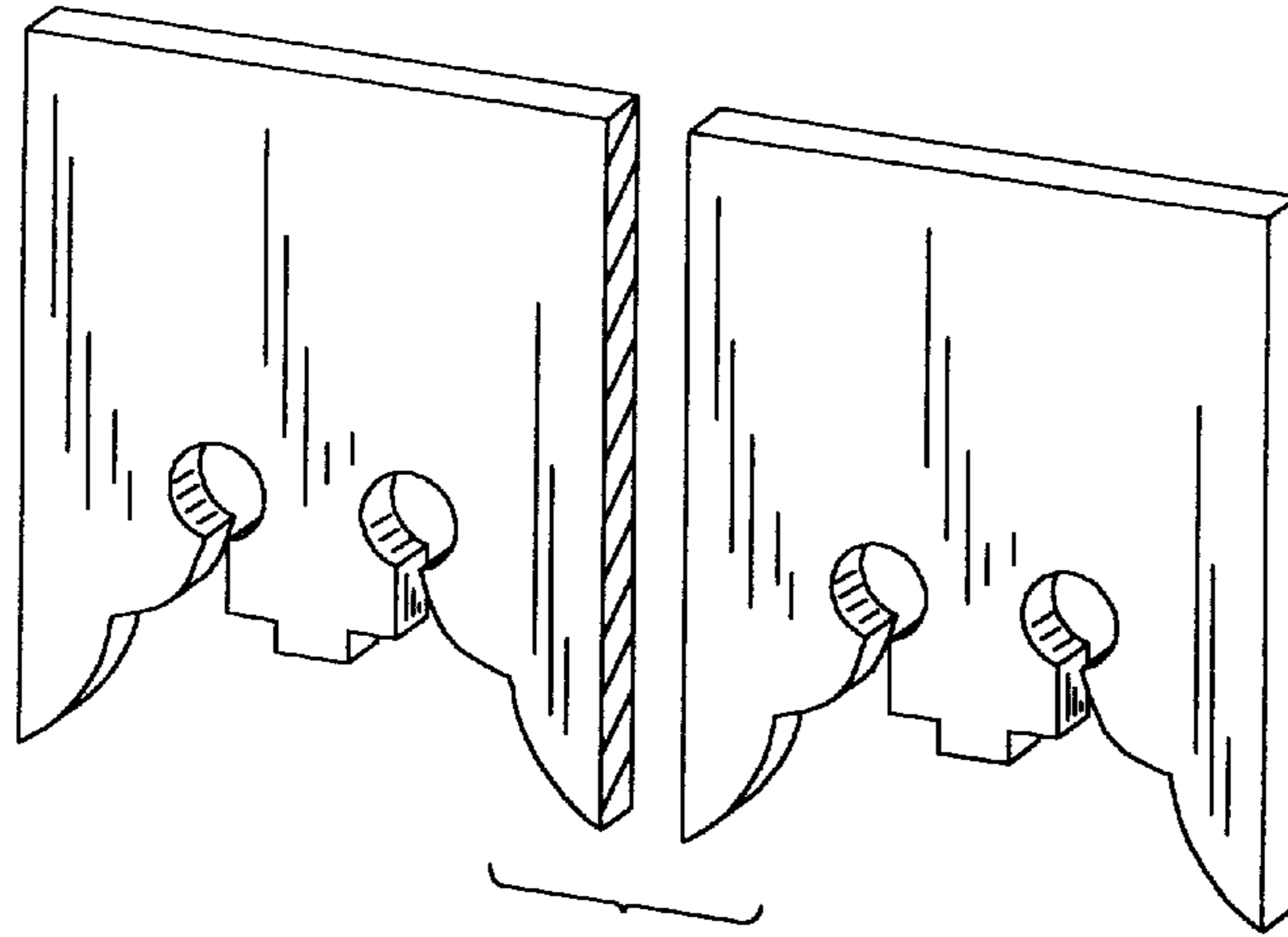


FIG. 1

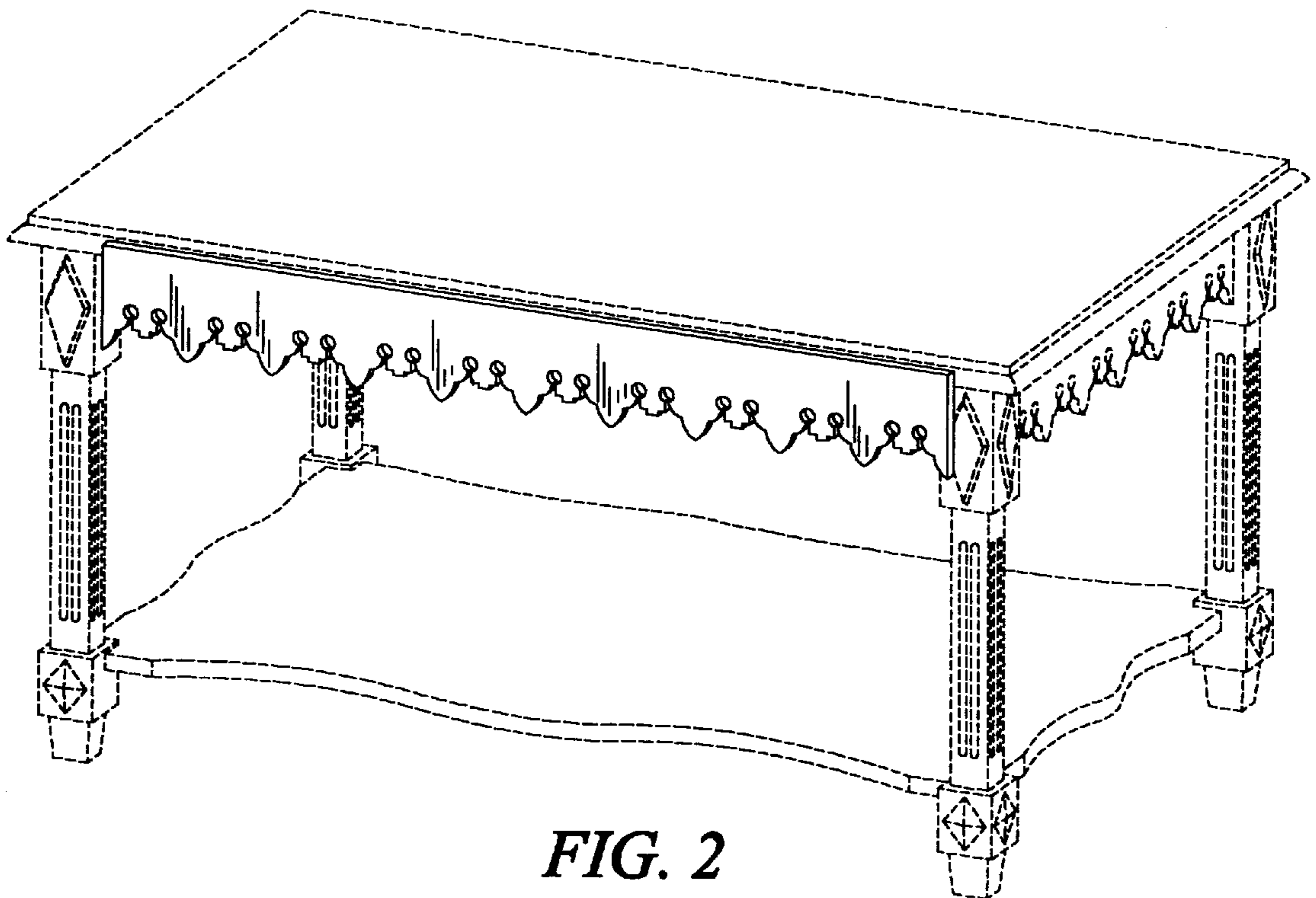


FIG. 2

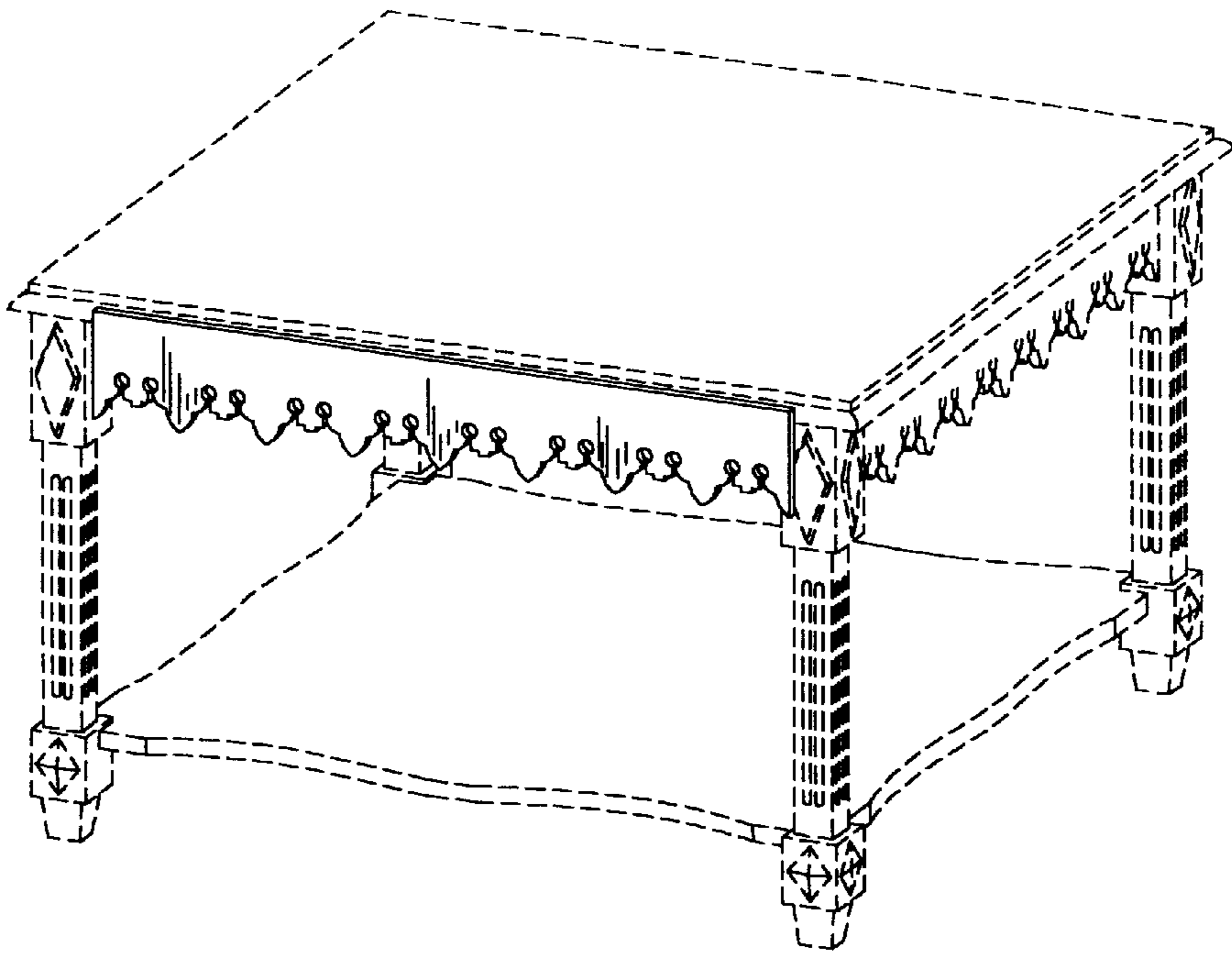


FIG. 3

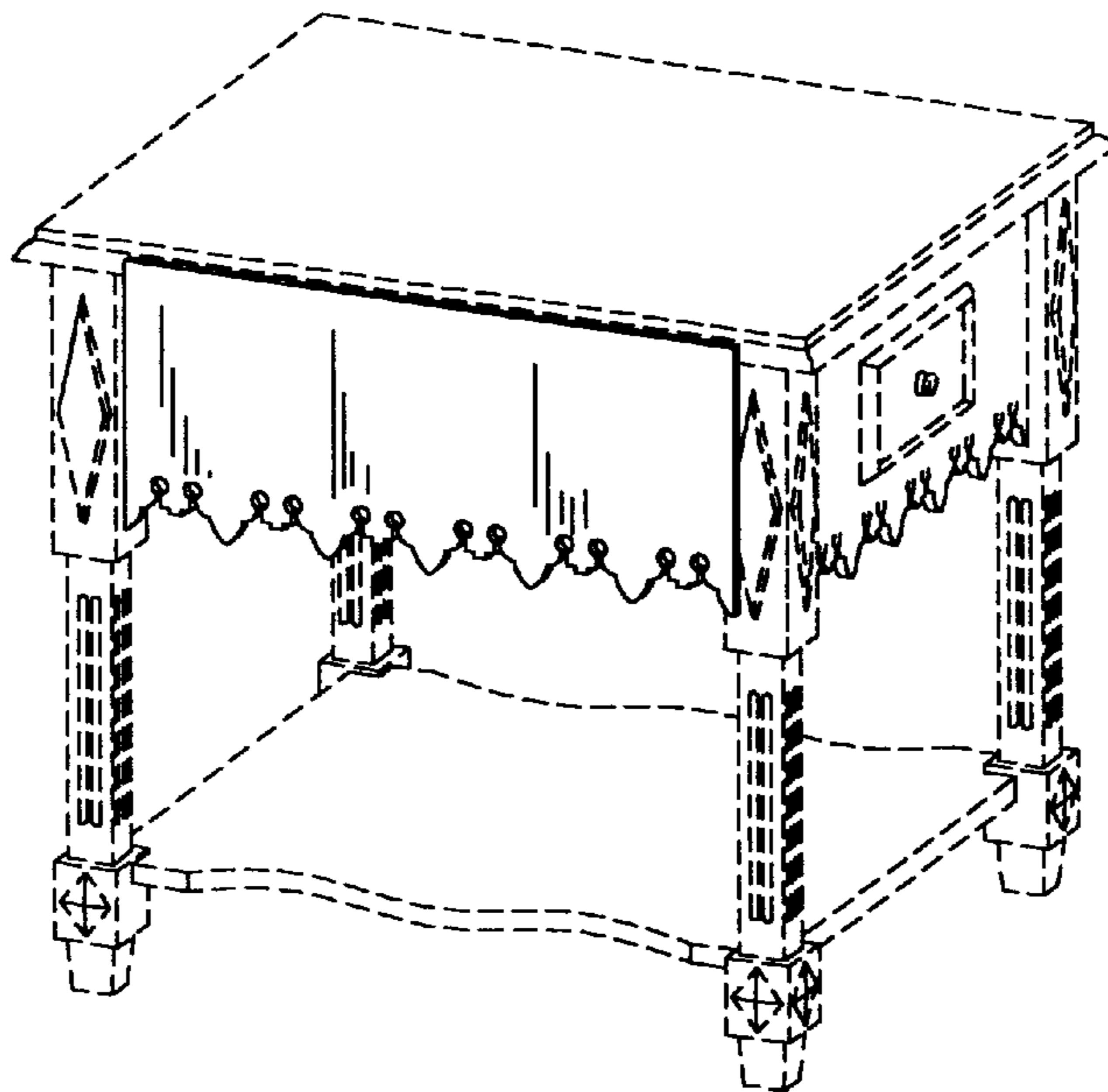


FIG. 4

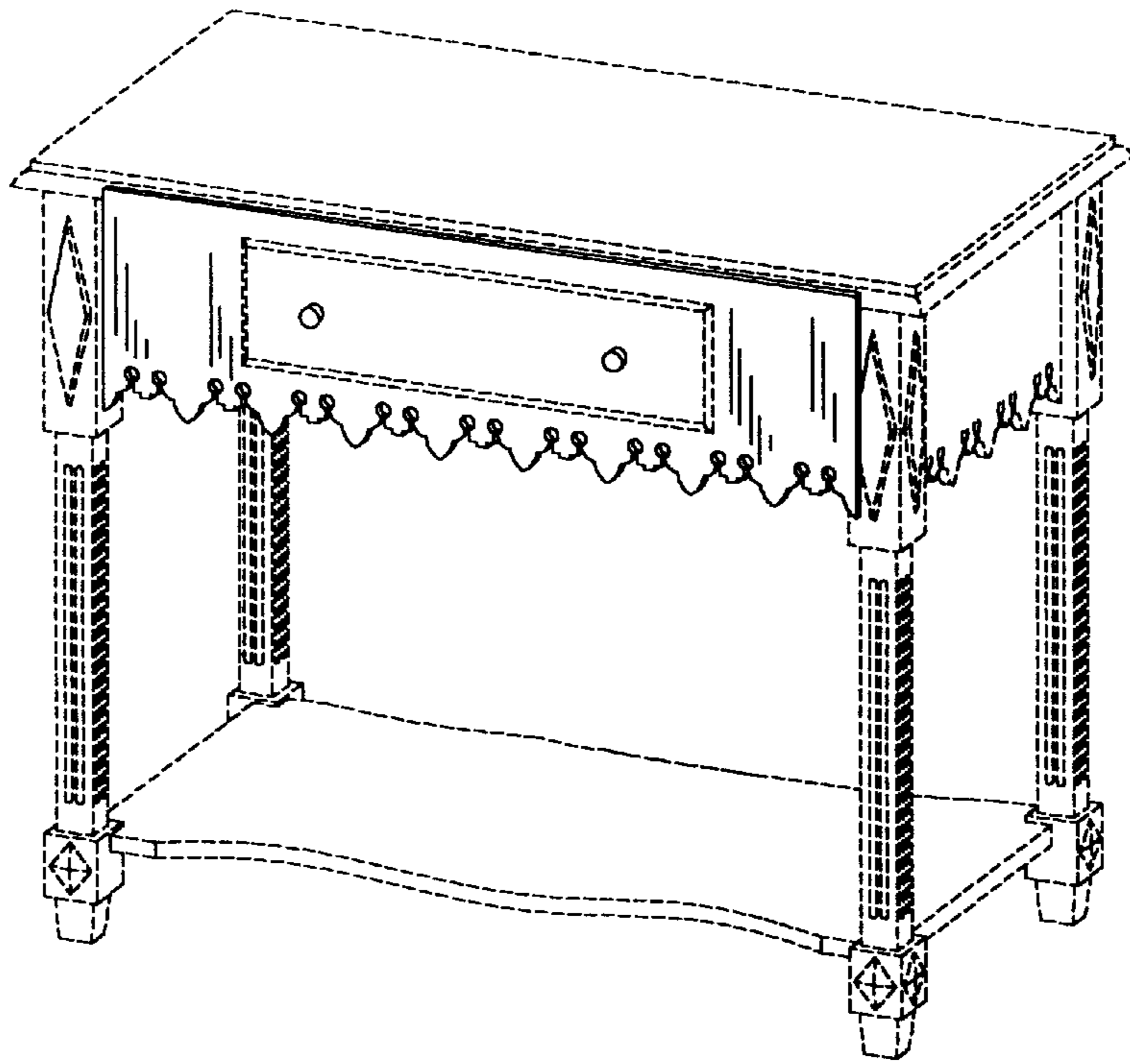


FIG. 5

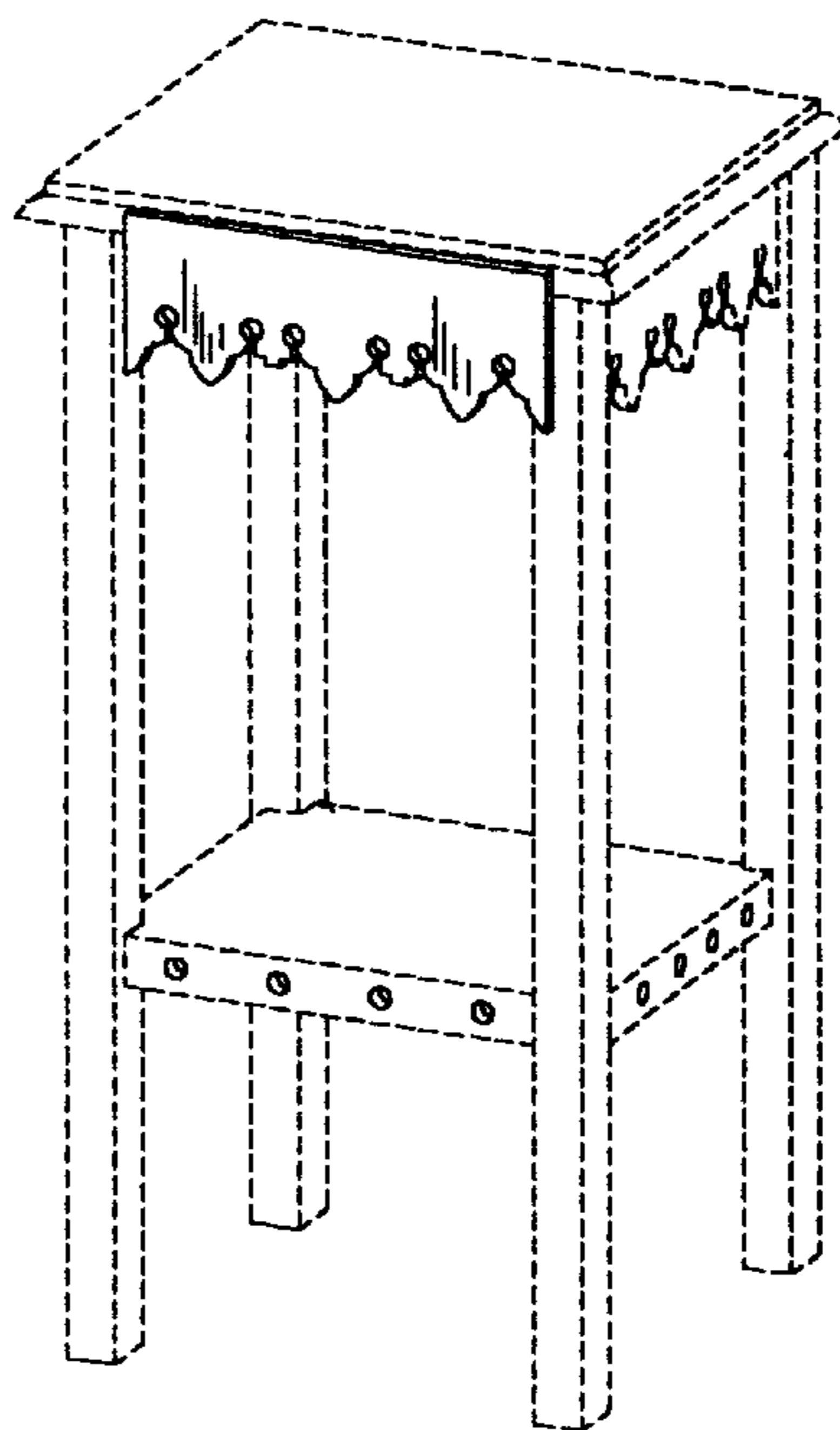


FIG. 6

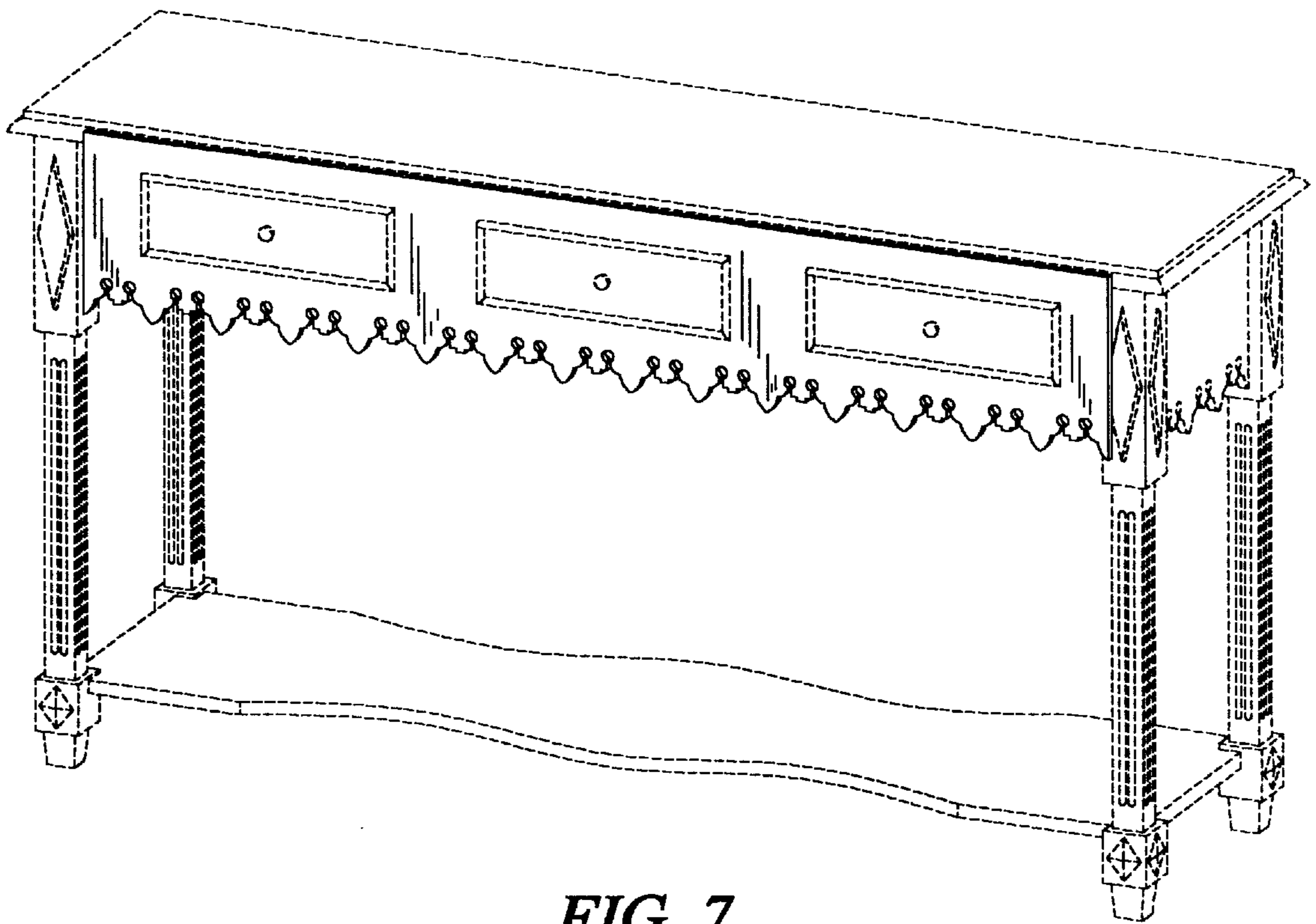


FIG. 7

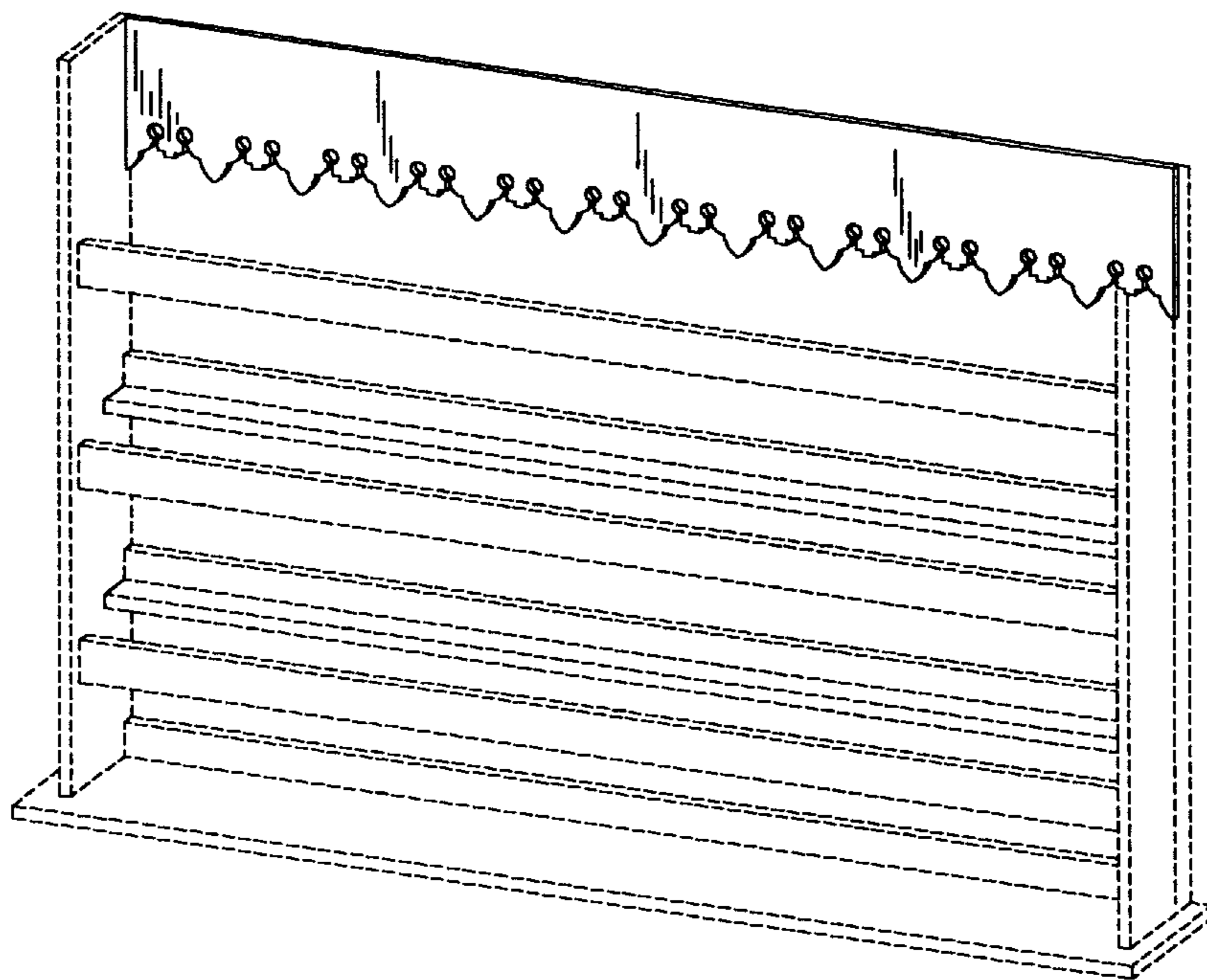


FIG. 8