



US00D421682S

# United States Patent [19] Rowan

[11] **Patent Number: Des. 421,682**

[45] **Date of Patent: \*\* Mar. 21, 2000**

[54] **PICTURE FRAME**

[76] **Inventor: Paul Rowan**, 2358 Midland Ave., Toronto, Ontario, Canada, M1S 1P8

[\*\*] **Term: 14 Years**

[21] **Appl. No.: 29/112,626**

[22] **Filed: Oct. 22, 1999**

[51] **LOC (6) Cl. .... 06-07**

[52] **U.S. Cl. .... D6/301**

[58] **Field of Search** ..... D6/300-314; D20/10, D20/40; 40/700, 711, 714, 716, 723, 729, 732, 735, 745, 747, 765, 768, 769, 771, 780, 790, 798

[56] **References Cited**

### U.S. PATENT DOCUMENTS

D. 271,359	11/1983	Le .	
D. 279,146	6/1985	McCaffrey .	
D. 280,363	9/1985	Wisecup, Jr. .	
D. 296,957	8/1988	Gordon et al. .	
D. 339,238	9/1993	Hamilton .	
D. 346,068	4/1994	White .	
623,253	4/1899	McDonald .....	40/735
882,710	3/1908	Pearsall .	
886,840	5/1908	Mueller .	
1,802,999	4/1931	Budd .	
2,169,290	8/1939	Rossi .....	40/765
3,178,844	4/1965	Christian .	
4,165,573	8/1979	Richards .	
4,794,714	1/1989	Weisgerber .	
5,367,802	11/1994	Rosenberg .	

### OTHER PUBLICATIONS

Burnes of Boston, 1984, p. 23, #5552 frame at top right.  
Exposures, Winter 1995, p. 14, frame at top left.  
Exposures, Winter 1995, p. 14, picture frame, item 4, top left corner of page, p. 33, bottom of page, Item I, Collectors' Wood Frames.

Exposures, Winter 1990, p. 61, picture frame, Item L, top left corner of page.

Gifts and Decorative Accessories, Feb. 1985, p. 195, Walnut Square Plate Frame, bottom right of page.

Burnes of Boston 1984 Catalog, p. 19, item 6190, picture frames, center right of page, p. 25, item 5450 picture frames, bottom right of page.

Spencer's Catalog, 1967, p. 24, Album-Paperweight, Hardwood, Brass-Plated Frames.

Burnes of Boston, 1984 Catalog, p. 14, item 8931, top right of page, picture frames.

Gifts and Decorative Accessories, May 1978, p. 69, center left of page, four pictures diamond shape frame.

*Primary Examiner*—Janice E. Seeger

[57] **CLAIM**

The ornamental design for a picture frame, as shown and described.

### DESCRIPTION

FIG. 1 is a perspective view of a picture frame showing my new design;

FIG. 2 is a front view thereof;

FIG. 3 is top view thereof, the bottom view being identical;

FIG. 4 is a left side view thereof, the right side view being identical;

FIG. 5 is a perspective view of a second embodiment of a picture frame showing my new design;

FIG. 6 is a front view thereof;

FIG. 7 is a top view thereof, the bottom and side views being identical; and,

FIG. 8 is a left side view thereof, the right side view being identical.

The rear view of each embodiment forms no part of the claimed design. The broken lines shown in FIGS. 1, 3, 4, 5, 7 and 8 represent environmental subject matter and form no part of the claimed design.

**1 Claim, 4 Drawing Sheets**

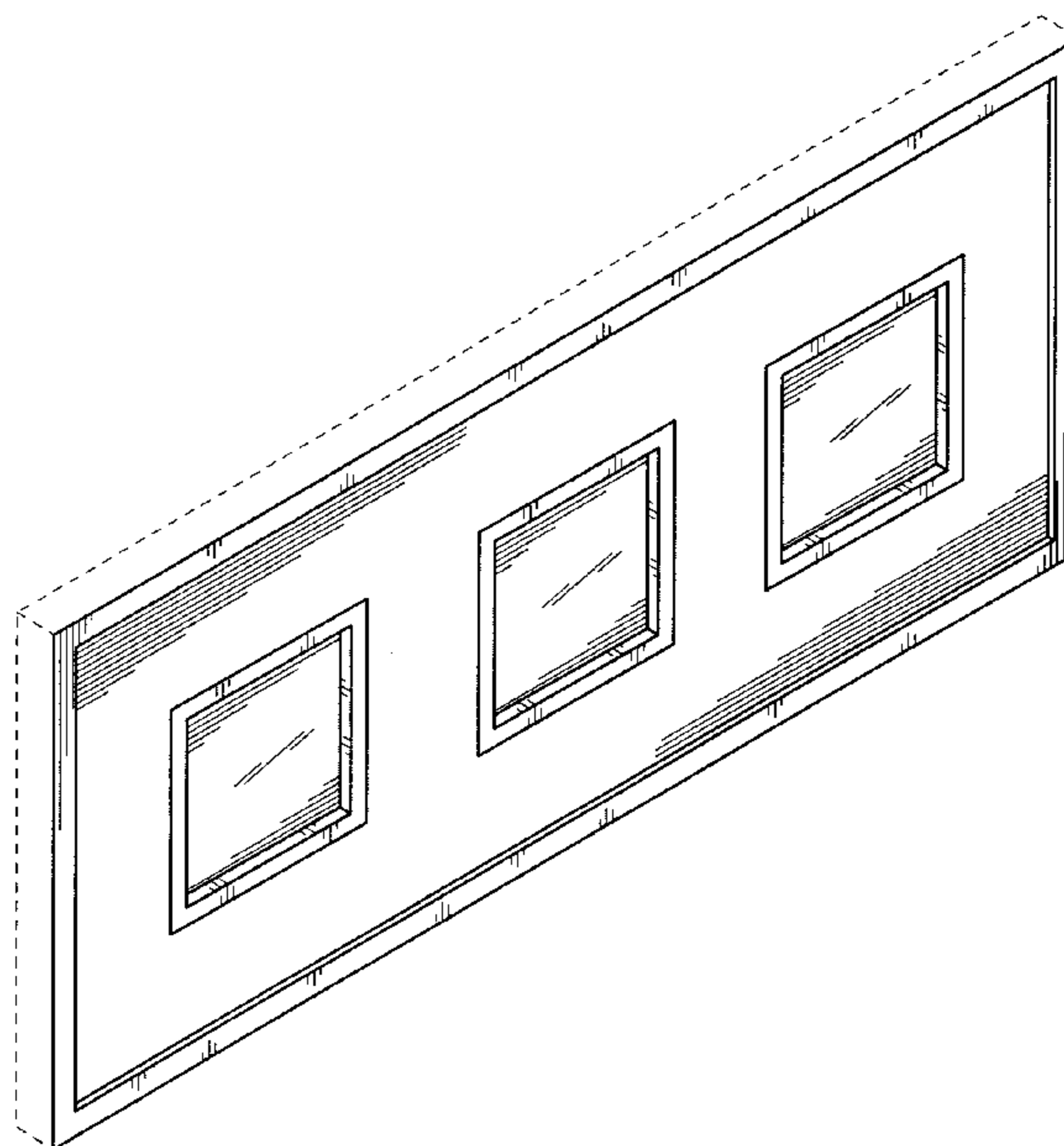


FIG. 1

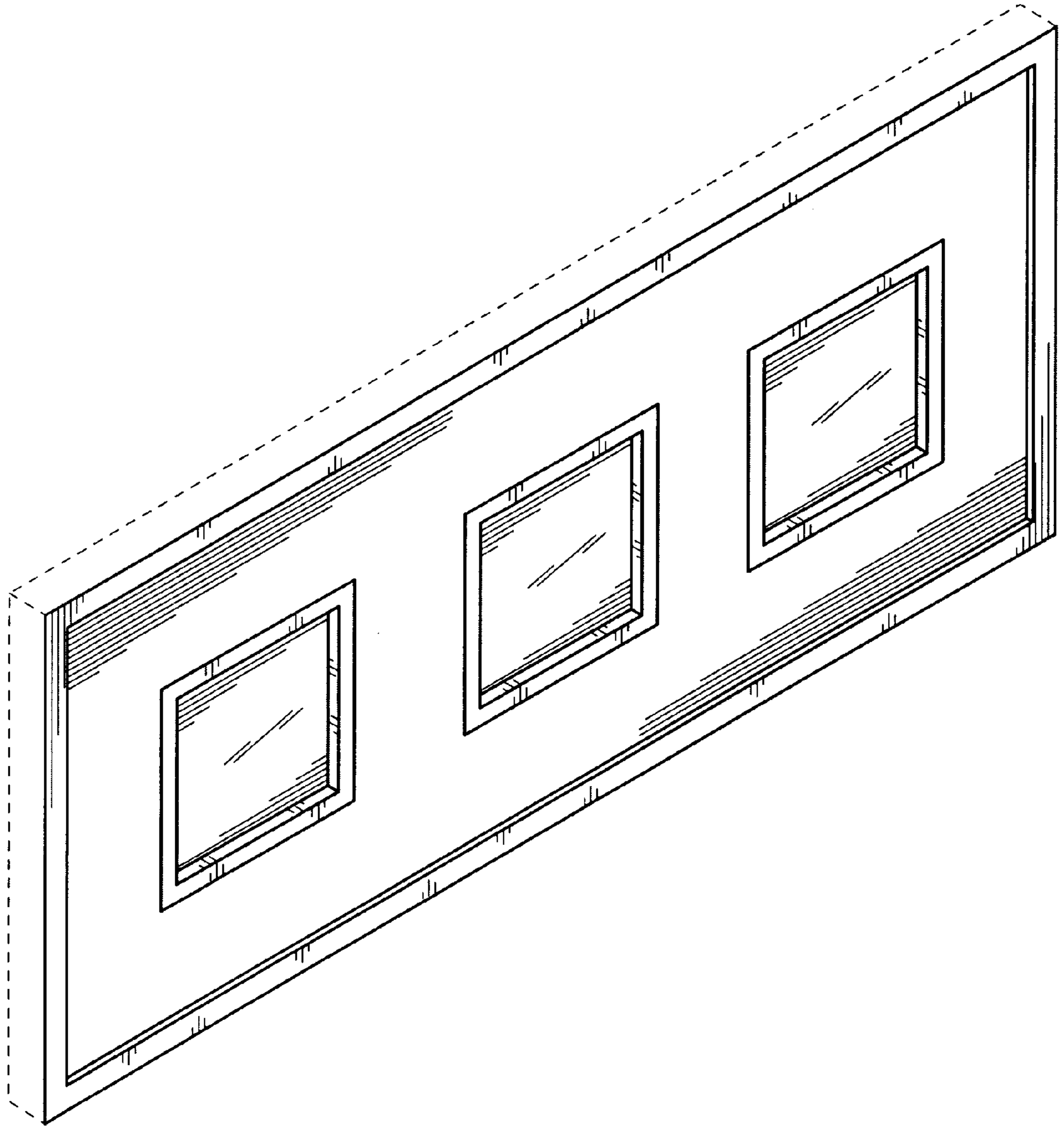


FIG. 2

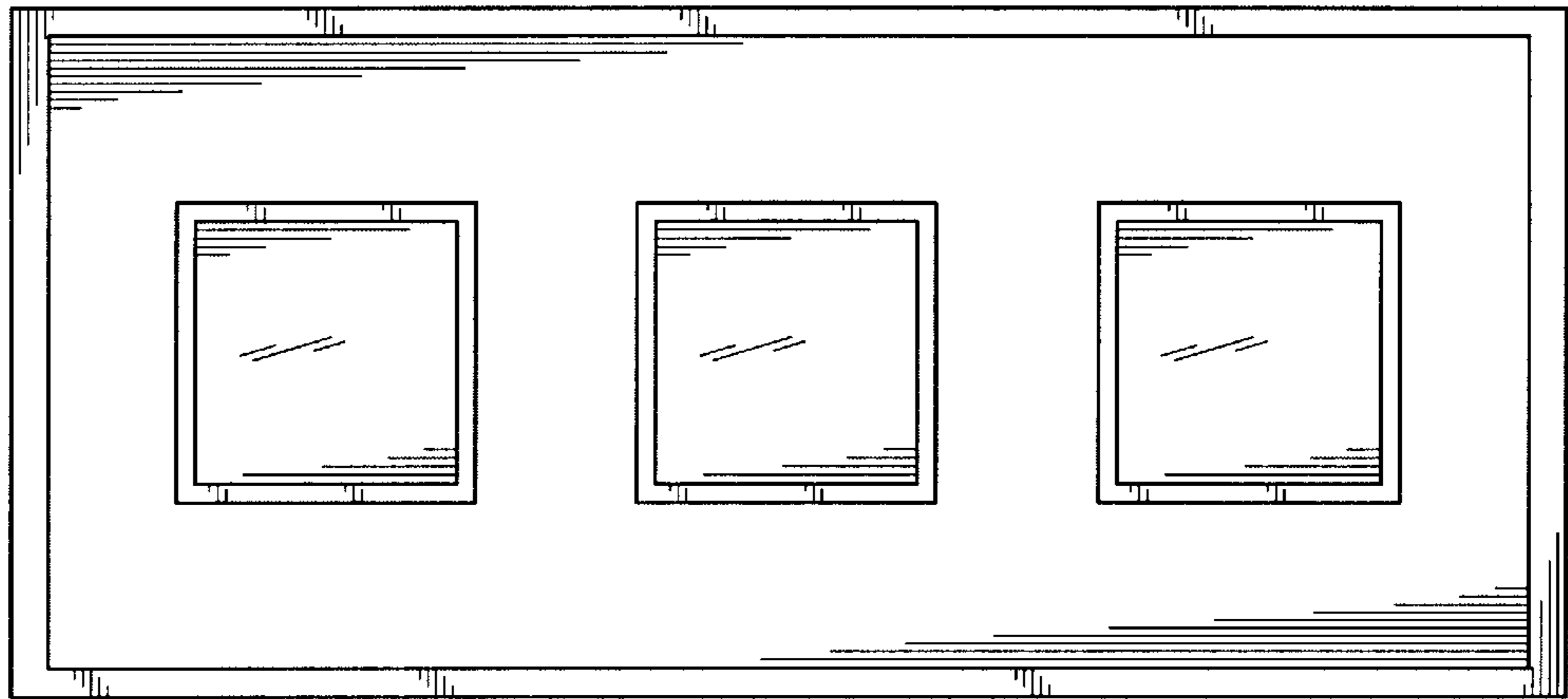


FIG. 3



FIG. 4

FIG. 5

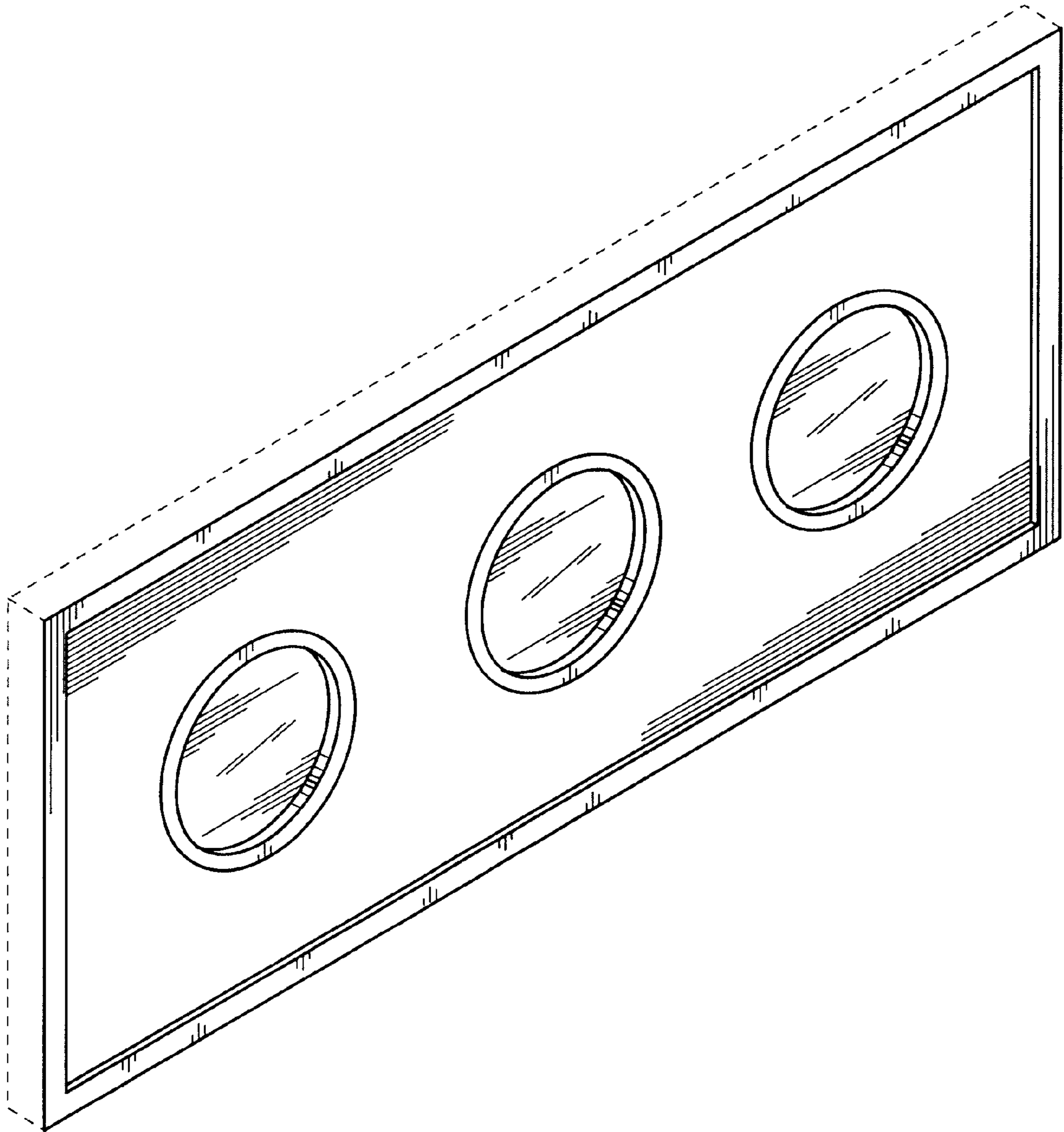


FIG. 6

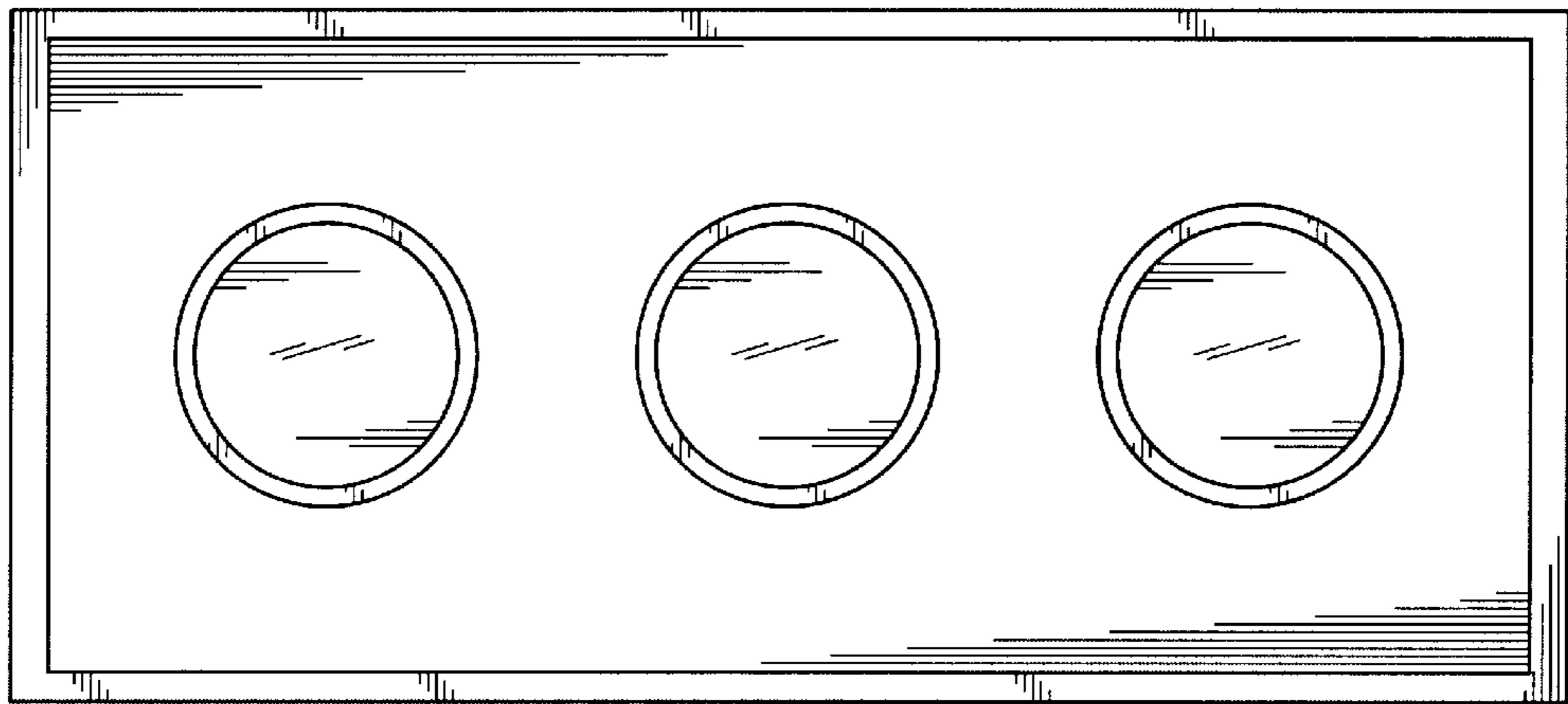


FIG. 7

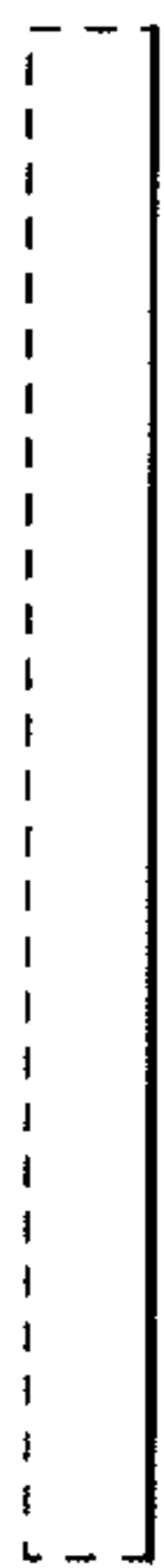
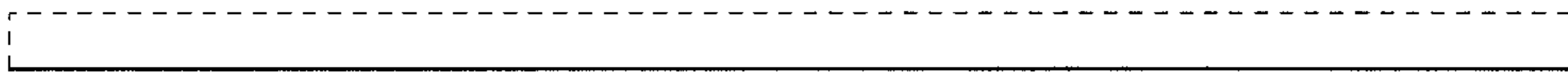


FIG. 8