



US00D421679S

United States Patent [19] Armstrong

[11] **Patent Number: Des. 421,679**

[45] **Date of Patent: ** Mar. 21, 2000**

[54] **PORTABLE TRAVEL TOOTHBRUSH**

[76] Inventor: **Donald M. Armstrong**, One Market St., 2nd Floor, Lynn, Mass. 01901

[**] Term: **14 Years**

[21] Appl. No.: **29/106,628**

[22] Filed: **Jun. 16, 1999**

[51] **LOC (6) Cl. 04-02**

[52] **U.S. Cl. D4/108; D4/114**

[58] **Field of Search** D4/104-113, 114, D4/132, 134; 15/105, 159.1, 167.1, 184, 186, 187; 132/308, 311; 401/183, 184, 268, 269, 271, 280, 281

[56] **References Cited**

U.S. PATENT DOCUMENTS

D. 137,249	2/1944	Groff	D4/108
D. 276,097	10/1984	Ditgen	D4/108
D. 278,481	4/1985	Ditgen	D4/104
D. 361,666	8/1995	Keane	.	
1,764,130	6/1930	Vardeman	401/271
3,227,165	1/1966	Costanza	401/271 X
3,712,747	1/1973	Drohomyrecky	.	
4,615,635	10/1986	Kim	.	
5,028,158	7/1991	Fey	.	
5,769,553	6/1998	Chaudhri et al.	.	
5,846,010	12/1998	Barbalich	.	
5,865,195	2/1999	Carter	.	
5,893,378	4/1999	Llerema	.	

Primary Examiner—Alan P. Douglas
Assistant Examiner—Lavone D. Tabor
Attorney, Agent, or Firm—Lambert & Associates, PLLC; Gary E. Lambert; Randolph P. Calhoun

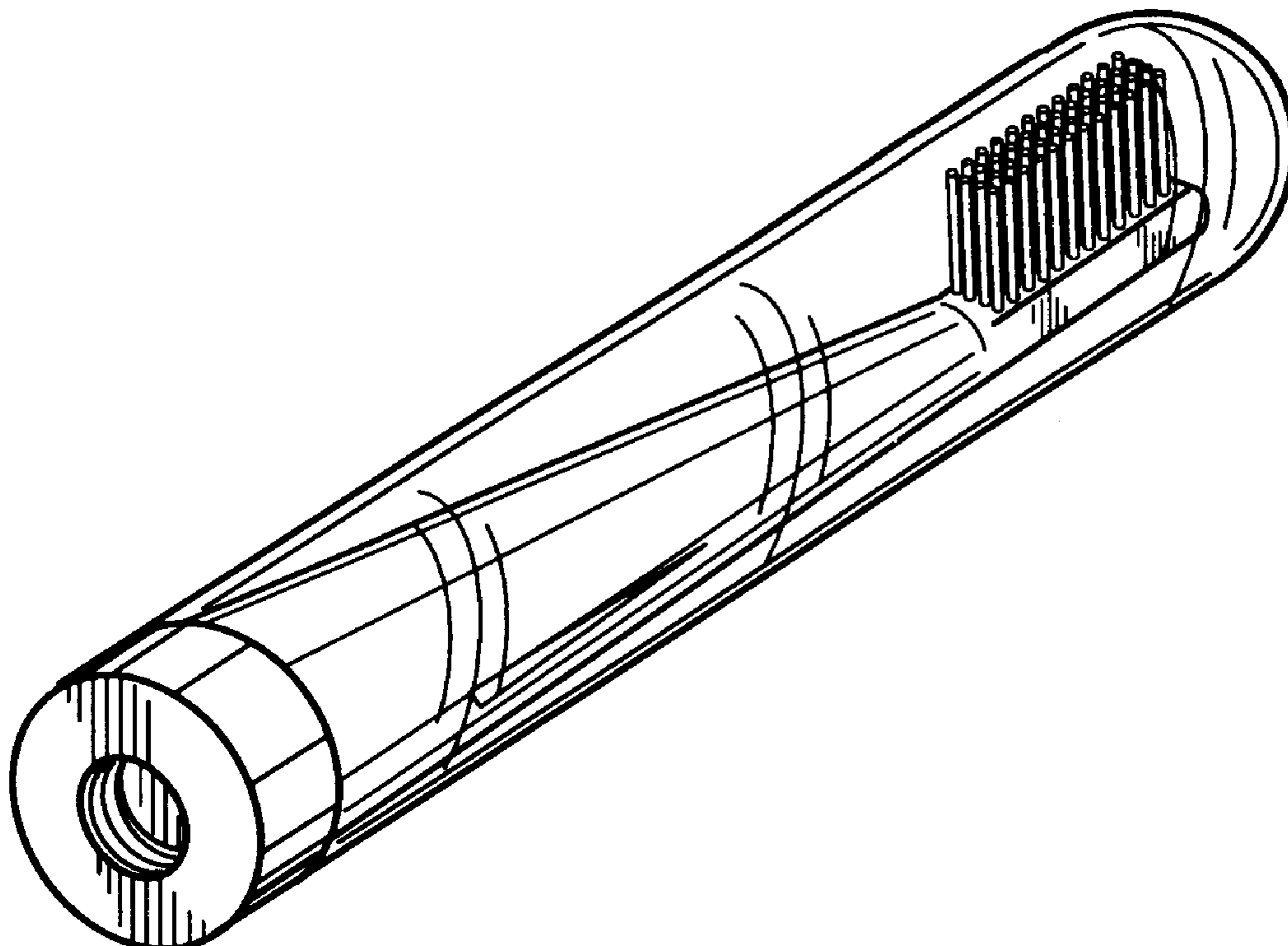
[57] **CLAIM**

The ornamental design for a portable travel toothbrush, as shown and described.

DESCRIPTION

FIG. 1 is a three-quarter perspective view of a portable travel toothbrush which embodies the design;
FIG. 2 is a right side elevation view of a portable travel toothbrush of FIG. 1, the item shown in broken lines attached to the end of the portable travel toothbrush reflects a tube of toothpaste used in conjunction with the portable travel toothbrush and is depicted for illustrative purposes only and forms no part of the claimed design;
FIG. 3 is a left side elevation view of a portable travel toothbrush of FIG. 1;
FIG. 4 is a top plan view of a portable travel toothbrush of FIG. 1;
FIG. 5 is a bottom plan view of a portable travel toothbrush of FIG. 1
FIG. 6 is a right end view of a portable travel toothbrush of FIG. 1; and,
FIG. 7 is a left end view of a portable travel toothbrush of FIG. 1.

1 Claim, 2 Drawing Sheets



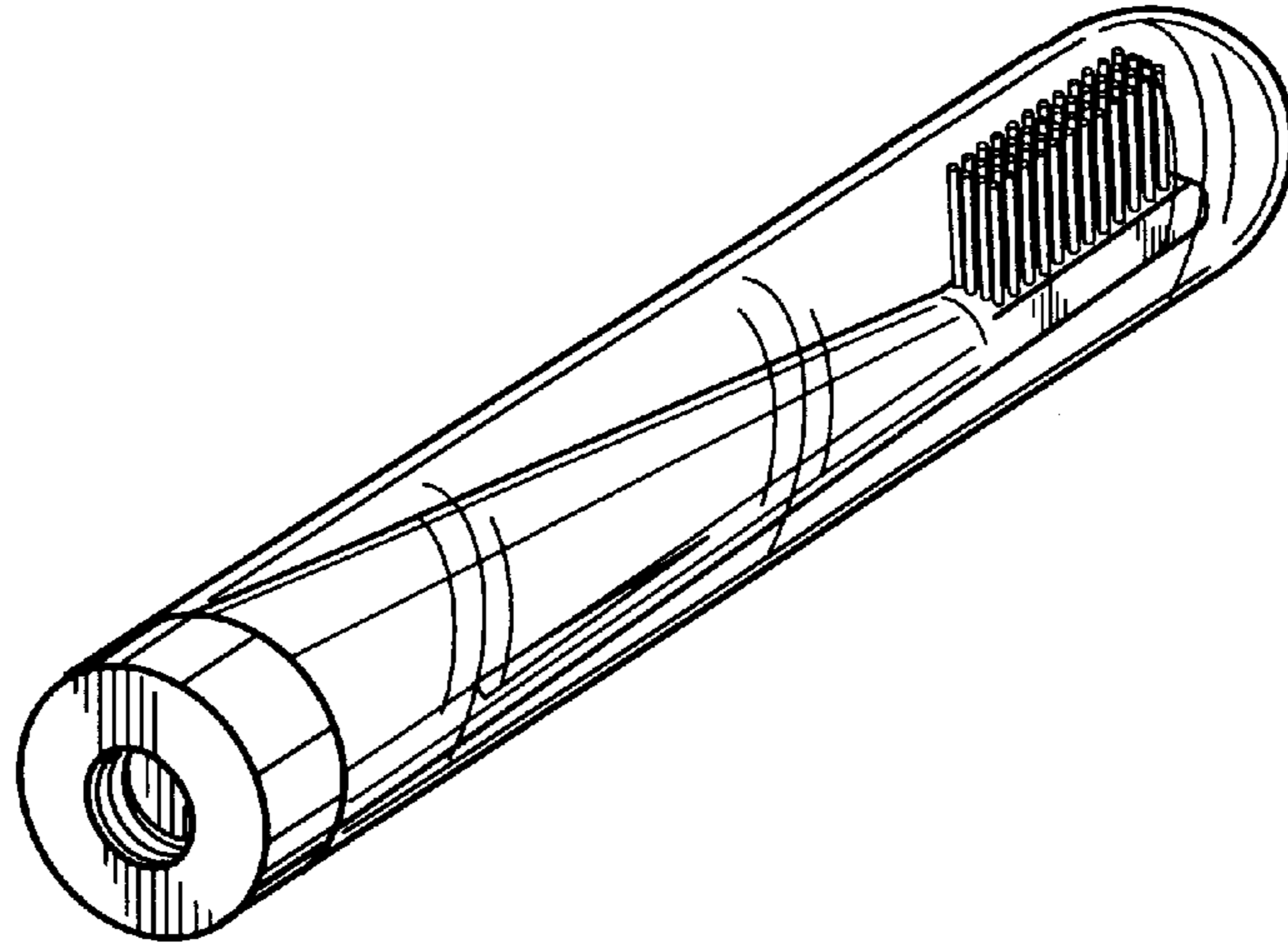


FIG. 1

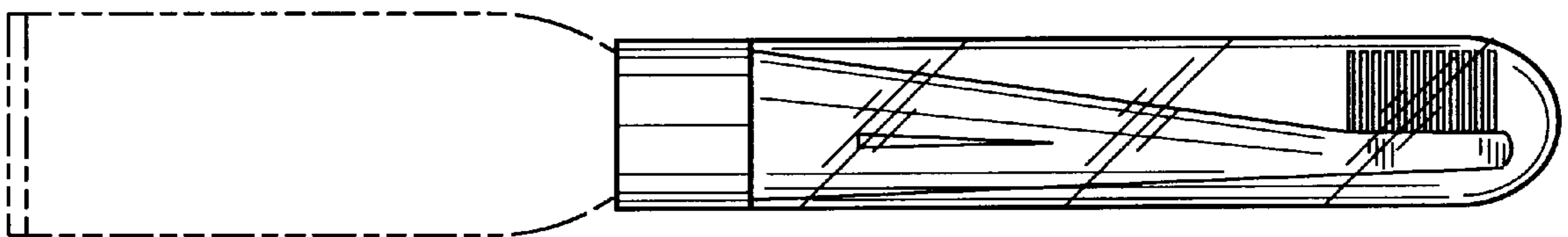


FIG. 2

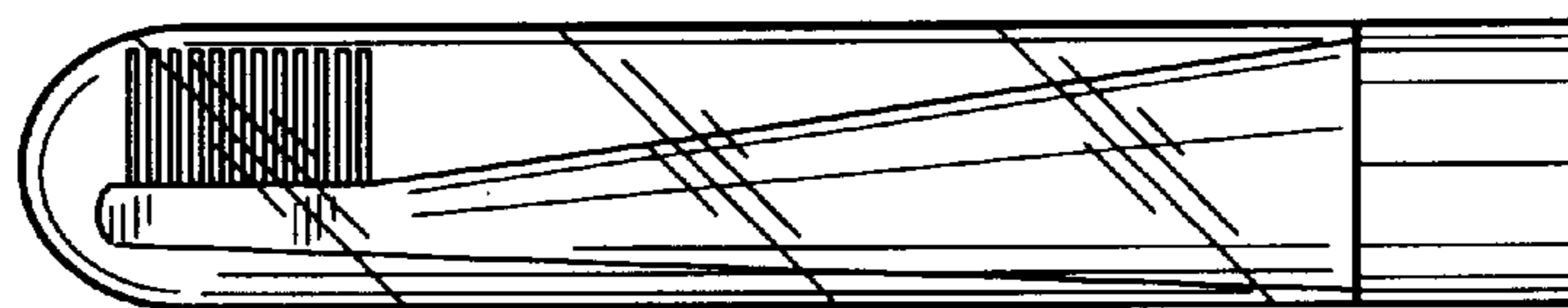


FIG. 3

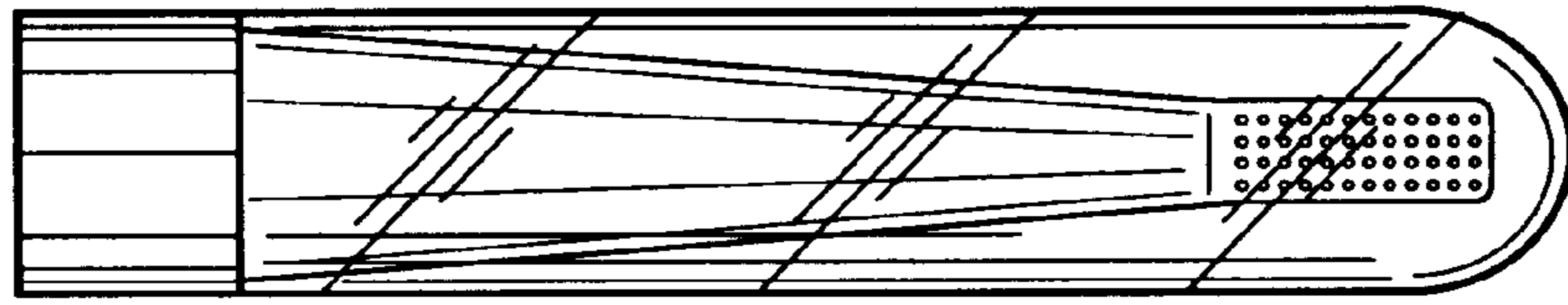


FIG. 4

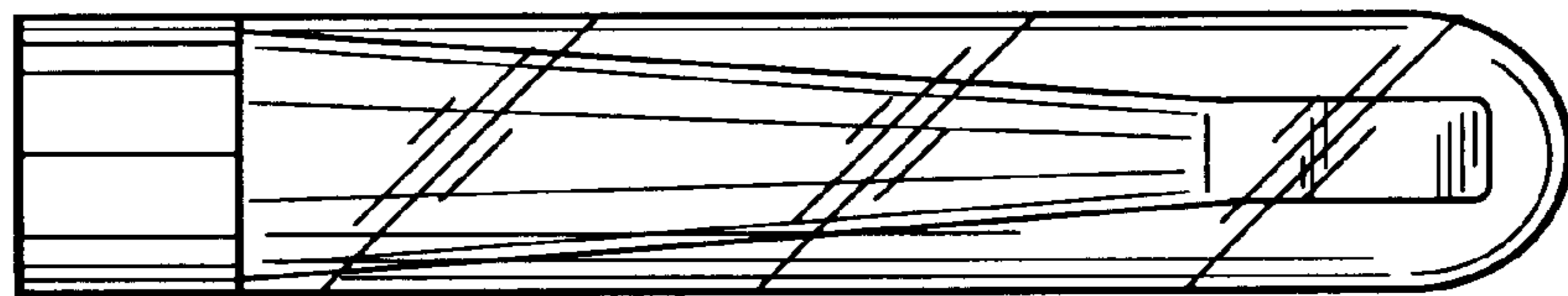


FIG. 5

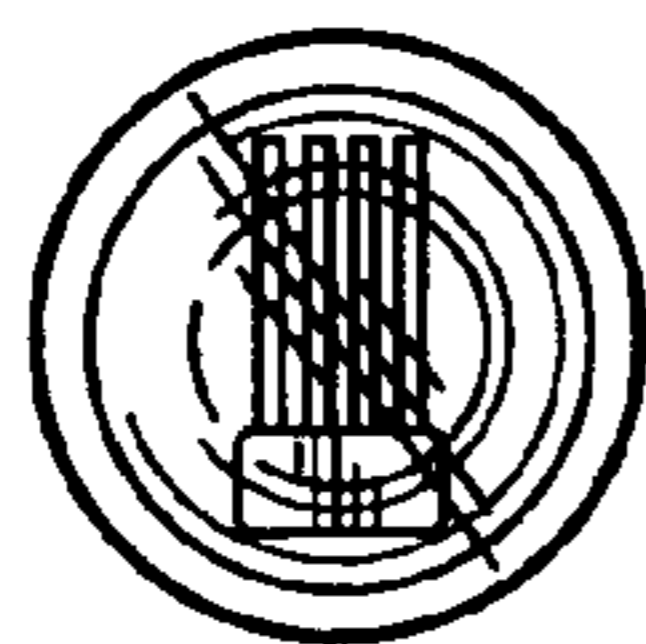


FIG. 6

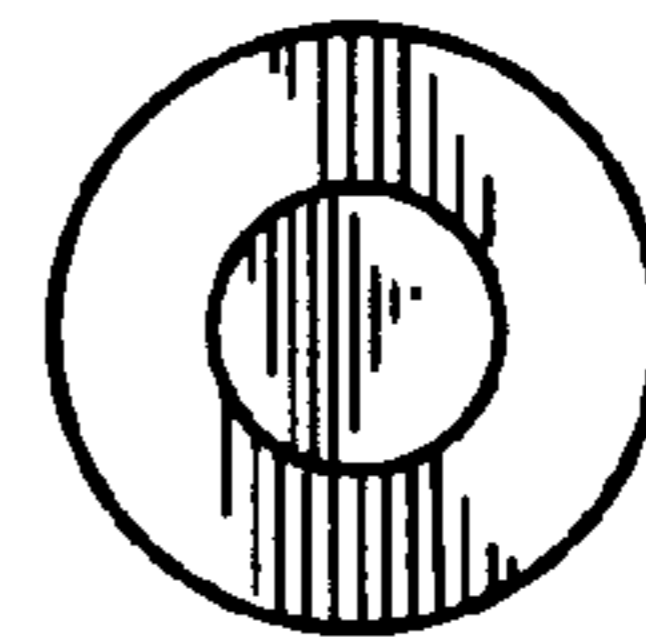


FIG. 7