



US00D421678S

United States Patent [19]

[11] Patent Number: **Des. 421,678**

Levy

[45] Date of Patent: **** Mar. 21, 2000**

[54] STORAGE CONTAINER WITH LID

[75] Inventor: **Reginald Levy, Kent, Ohio**

[73] Assignee: **Rubbermaid Incorporated, Wooster, Ohio**

[**] Term: **14 Years**

[21] Appl. No.: **29/102,965**

[22] Filed: **Apr. 5, 1999**

[51] LOC (6) Cl. **03-01**

[52] U.S. Cl. **D3/279; D3/302**

[58] Field of Search D3/273, 276, 279, D3/302, 905, 5, 19; D9/424, 425, 423; 190/18 A; 206/508, 503, 518

[56] References Cited

U.S. PATENT DOCUMENTS

D. 168,205	11/1952	Baustian et al.	D7/5
D. 238,051	12/1975	Fier, Jr.	D9/240
D. 238,148	12/1975	Dilot	D9/219
D. 252,354	7/1979	Uyeda	D3/30
D. 258,723	3/1981	Cornou	D7/76
D. 280,216	8/1985	Boklund	D19/52
D. 285,413	9/1986	Carlson	D9/337
D. 286,937	11/1986	Schafer	D34/43
D. 291,037	7/1987	Handler et al.	D3/279
D. 302,774	8/1989	Murphy	D7/76
D. 306,264	2/1990	Malmanger	D9/432
D. 308,340	6/1990	Ilsen et al.	D9/425
D. 312,573	12/1990	Poirier	D9/424
D. 316,674	5/1991	Poirier	D9/424
D. 319,016	8/1991	Kahl	D9/424
D. 319,977	9/1991	Curry	D9/425
D. 328,425	8/1992	Brightbill	D9/425
D. 329,331	9/1992	Hobson	D3/78
D. 329,747	9/1992	Embree	D3/78
D. 330,161	10/1992	Schuh	D9/423
D. 330,329	10/1992	Brightbill	D9/424
D. 342,364	12/1993	Hobson	D34/46
D. 342,609	12/1993	Brightbill	D3/78
D. 348,394	7/1994	Dreyer	D9/425
D. 349,646	8/1994	Dickinson	D9/423
D. 355,118	2/1995	Dickinson et al.	D9/425
D. 356,256	3/1995	Romanoff	D9/425

D. 356,891	4/1995	Hobson	D3/294
D. 358,765	5/1995	Dickinson et al.	D9/425
D. 360,527	7/1995	Corney et al.	D3/279
D. 361,511	8/1995	Dickinson et al.	D9/425
D. 363,663	10/1995	Plater	D9/425
D. 365,905	1/1996	Yemini	D34/19
D. 367,609	3/1996	Frank et al.	D9/425
D. 367,958	3/1996	Tisbo et al.	D3/273
D. 373,022	8/1996	Sagol	D3/279
D. 373,953	9/1996	Gale	D9/425

(List continued on next page.)

OTHER PUBLICATIONS

P. 10, Storage containers with lids; Contico Manufacturing Company, 1101 Warson Road, St. Louis, Missouri 63120. Publication date 1991-92.

Label, Storage containers with lids; Contico Manufacturing Company, 1101 Warson Road, St. Louis, Missouri 63120. Published at least as early as May, 1993.

Label, Storage containers with lids; Dial Industries, Inc., Los Angeles, California 90023. Published at least as early as 1994.

(List continued on next page.)

Primary Examiner—Philip S. Hyder

Attorney, Agent, or Firm—Richard B. O'Planick

[57] CLAIM

The ornamental design for a storage container with lid, as shown and described.

DESCRIPTION

FIG. 1 is a top left front perspective view of a storage container with lid showing my new design;

FIG. 2 is a top plan view thereof;

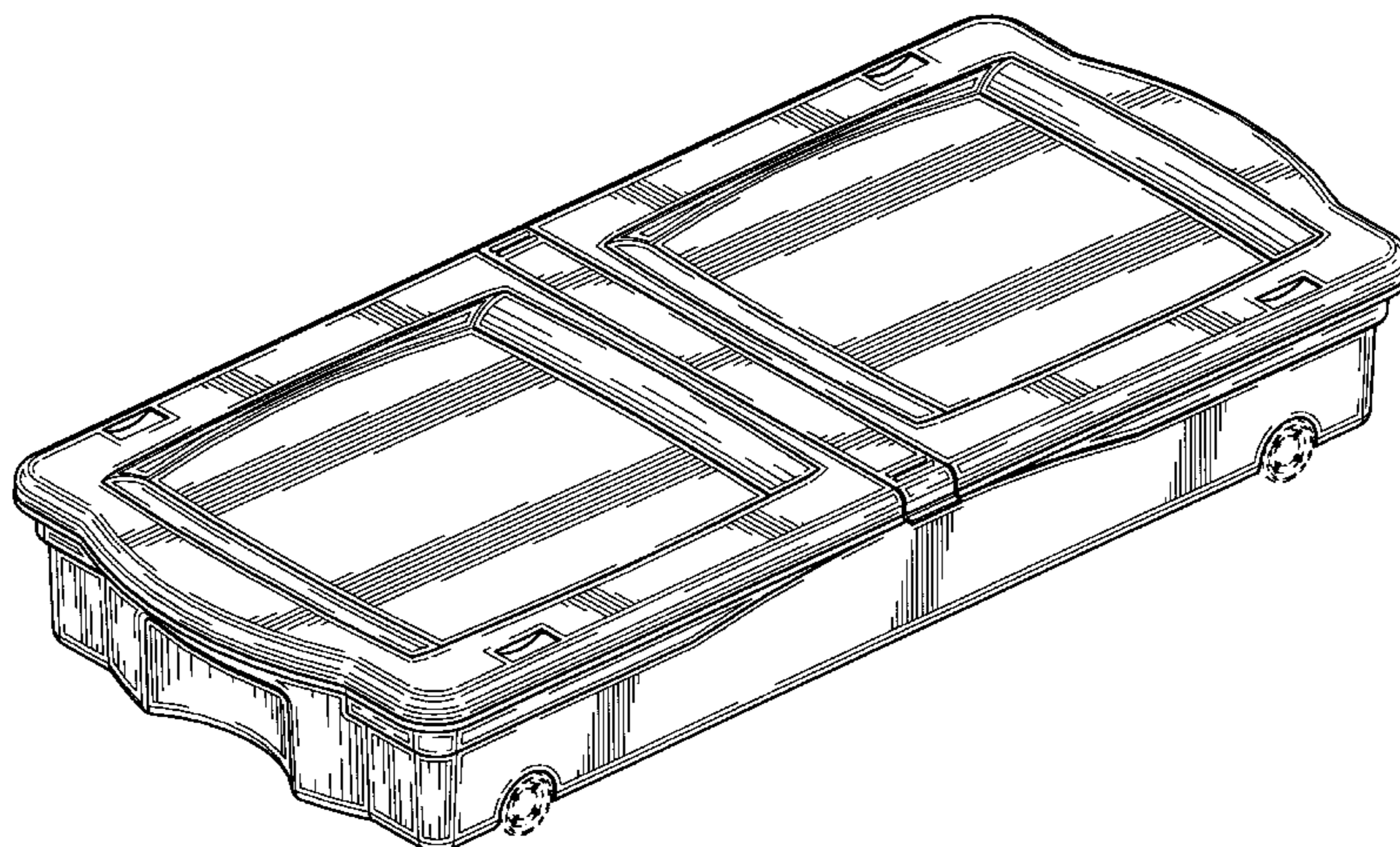
FIG. 3 is a right side elevational view thereof; the left side elevational view being a mirror image;

FIG. 4 is a front elevational view thereof; the rear elevational view being a mirror image; and,

FIG. 5 is a bottom plan view thereof.

The broken lines shown in FIGS. 1, 3 and 4 are for illustrative purposes only and form no part of the claimed design.

1 Claim, 5 Drawing Sheets



OTHER PUBLICATIONS

Label, Storage containers with lids; Rhenanit, address unknown. Published at least as early as Dec., 1994.

Catalog page, Storage container with lid; Sunware, address unknown. Published at least as early as Jun., 1995.

P. 5, Storage containers with lids; Sterilite Corporation, P. O. Box 524, Main Street, Townsend, Massachusetts. Published at least as early as Feb., 1996.

Sell sheet, Storage containers with lids; Sterilite Corporation, P. O. Box 524, Main Street, Townsend, Massachusetts. Published at least as early as 1992.

Sell sheet, Storage containers with lids; Sterilite Corporation, P. O. Box 524, Main Street, Townsend, Massachusetts. Publication date 1991.

Catalog page, Storage containers with lids; Sterilite Corporation, P. O. Box 524, Main Street, Townsend, Massachusetts. Publication date 1990.

P. 2, Storage containers with lids; Sterilite Corporation, P. O. Box 524, Main Street, Townsend, Massachusetts. Published at least as early as 1993.

Sell sheet, Storage containers with lids; Stor-all, address unknown. Published at least as early as 1992.

P. 27, Storage containers with lids; Follansbee Dock System, State Street, P. O. Box 610, Follansbee, West Virginia 26037. Published at least as early as Jul., 1990.

Catalog page, Storage containers with lids; The Coleman Company, 250 North St. Francis, Wichita, Kansas 67202. Published at least as early as 1992.

Catalog page, Storage containers with lids; Tucker Housewares, 25 Tucker Drive, Leominster, Massachusetts 01453. Published at least as early as Jan., 1989.

Catalog page, Storage containers with lids; Tucker Housewares, 25 Tucker Drive, Leominster, Massachusetts 01453. Published at least as early as 1991.

P. 10, Storage containers with lids; Tucker Housewares, 25 Tucker Drive, Leominster, Massachusetts 01453. Published at least as early as 1992-93.

Catalog page, Storage containers with lids; Tucker Housewares, 25 Tucker Drive, Leominster, Massachusetts 01453. Publication date Jan., 1996.

Label, Storage container with lid; Tamor Plastics Corp., P. O. Box 1186, Leominster, Massachusetts 01453. Published at least as early as 1992.

P. 7, Storage containers with lids; Tamor Plastics Corp., P. O. Box 1186, Leominster, Massachusetts 01453. Publication date 1989.

Digitized photograph, Storage container with lid; Tamor Plastics Corp., P. O. Box 1186, Leominster, Massachusetts 01453. Published at least as early as Aug., 1998.

Label, Storage containers with lids; Transco Housewares, A Division of Laich Industries, Cleveland, Ohio. Published at least as early as 1992.

Digitized photograph, Storage container with lid; Home Plus America, Inc., 1177 South Jellick Avenue, City of Industry, California 91748. Published at least as early as Aug., 1998.

Digitized photograph, Storage container with lid; Style Master, Inc., 7200 Oak Park Avenue, Niles, Illinois 60714. Published at least as early as Aug., 1998.

P. 2, Storage containers with lids; Rubbermaid Commercial Products Inc., 3124 Valley Avenue, Winchester, Virginia 22601. Publication date 1994.

Catalog page, Storage containers with lids; Rubbermaid Incorporated, 1147 Akron Road, Wooster, Ohio 44691. Publication date 1994.

Digitized photograph, Storage container with lid; Work Force, address unknown. Published at least as early as Aug., 1998.

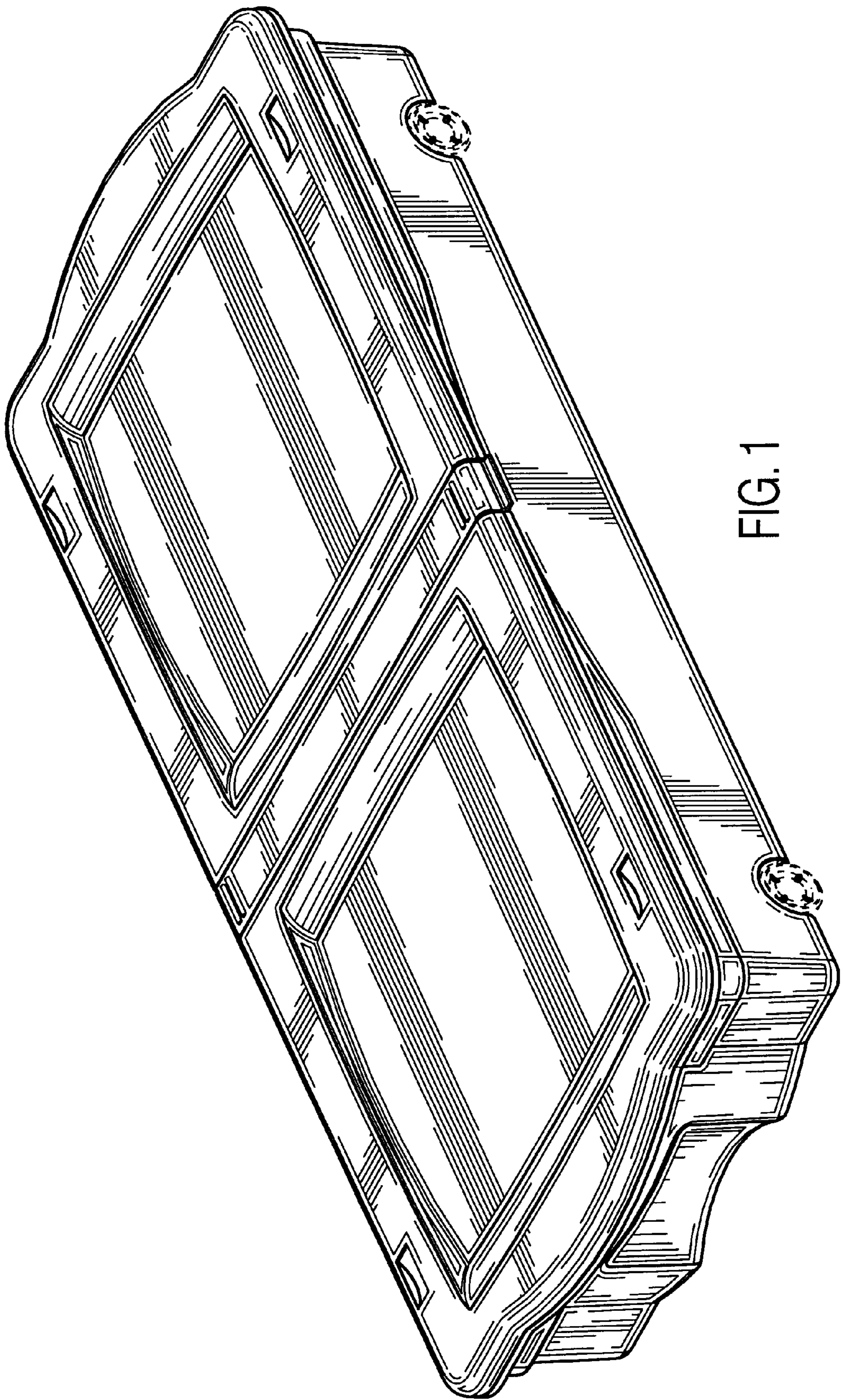


FIG. 1

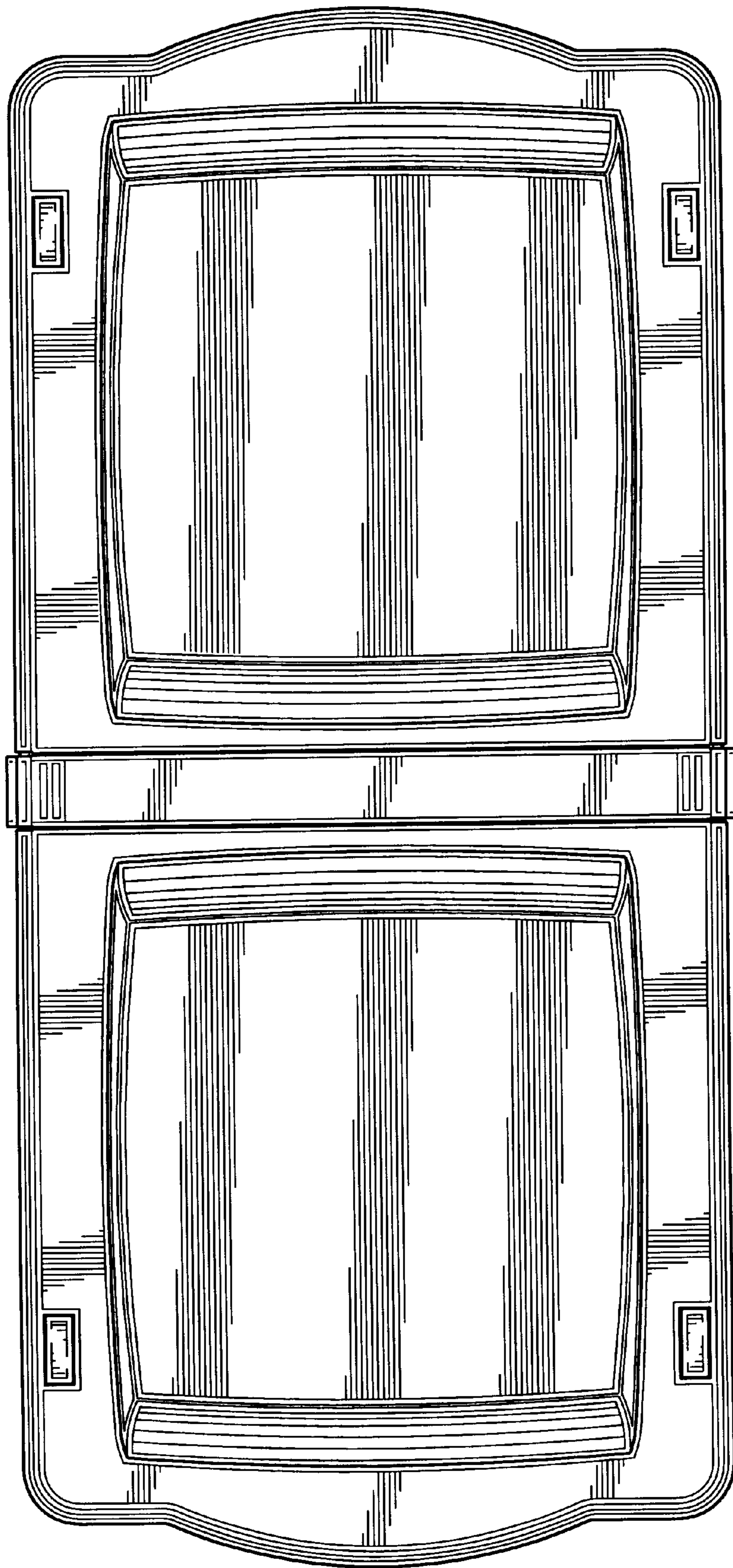


FIG. 2

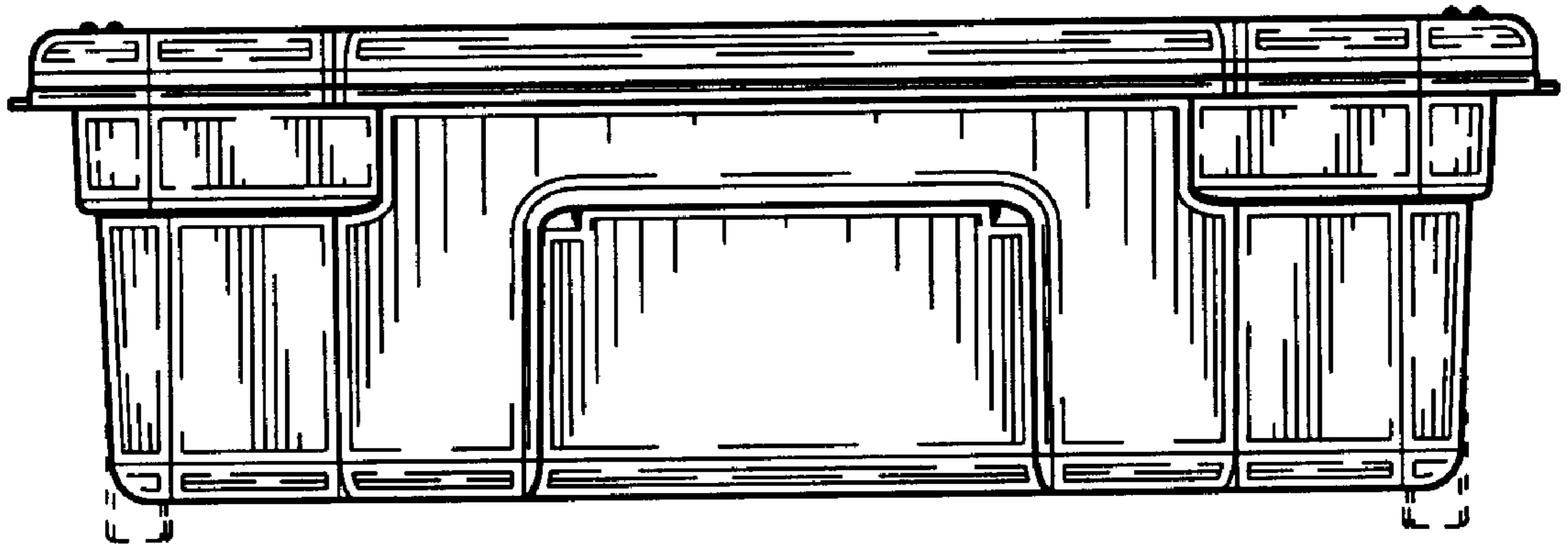


FIG. 3

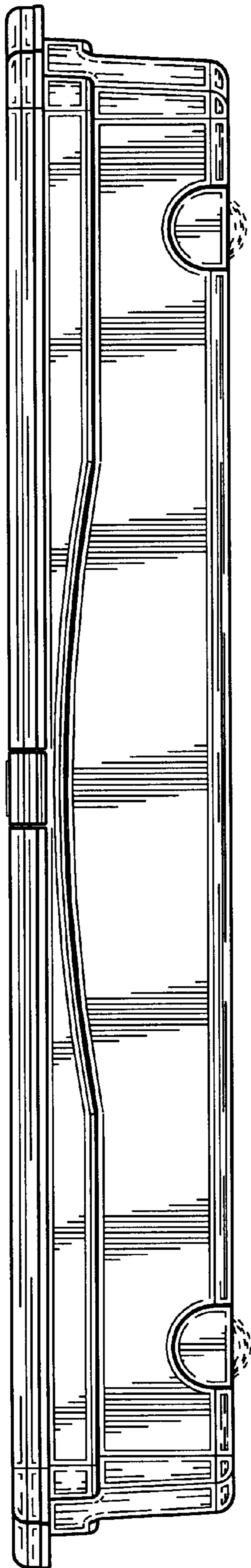


FIG. 4

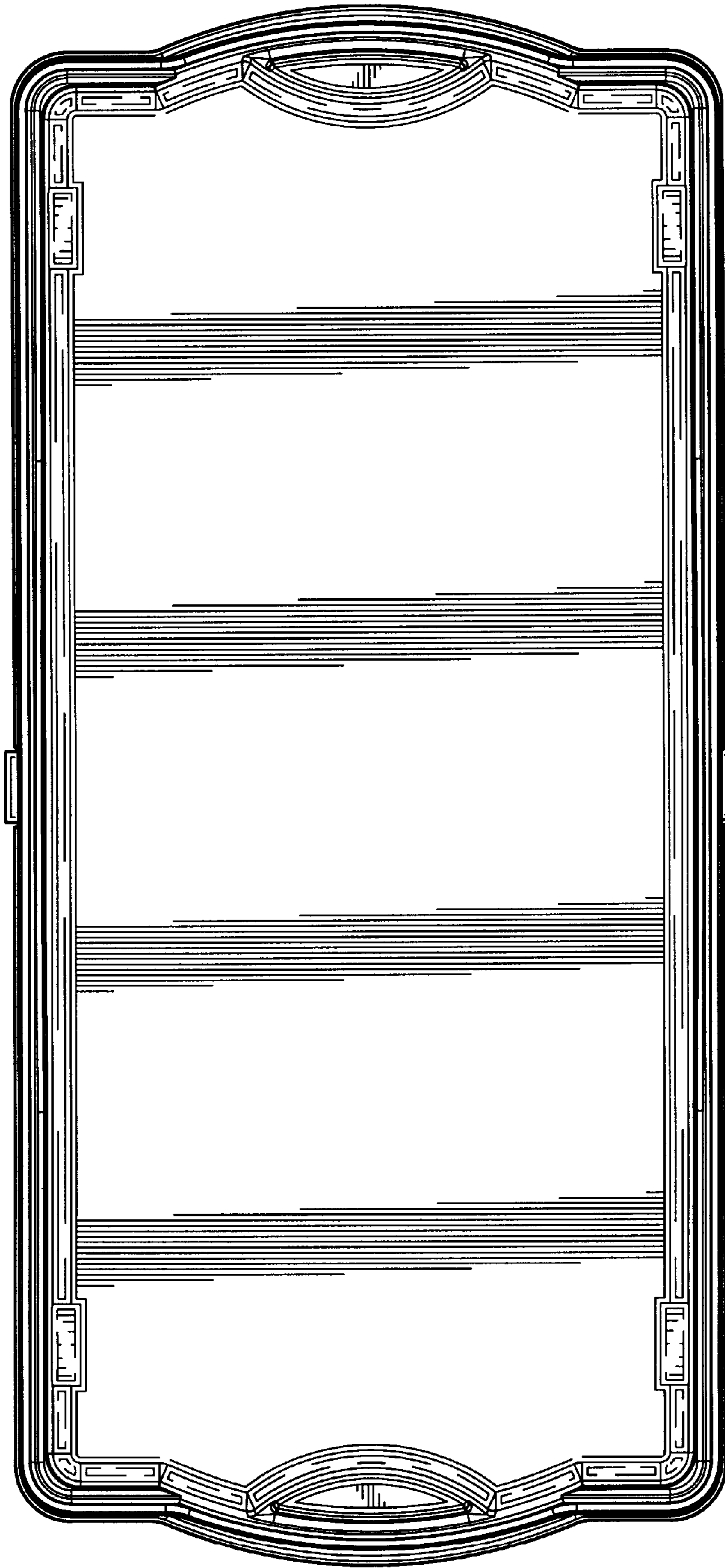


FIG. 5