



US00D421672S

United States Patent [19] Thesken

[11] Patent Number: **Des. 421,672**

[45] Date of Patent: **** Mar. 14, 2000**

[54] **DEVICE FOR SCATTERING CREMATION REMAINS**

D. 395,123 6/1998 Barretto D99/5
4,324,026 4/1982 Craft .
5,287,603 2/1994 Schorman 27/1

[75] Inventor: **Mark H. Thesken**, Cincinnati, Ohio

[73] Assignee: **Batesville Services, Inc.**, Batesville, Ind.

[**] Term: **14 Years**

[21] Appl. No.: **29/100,553**

[22] Filed: **Feb. 12, 1999**

[51] **LOC (6) Cl.** **99-00**

[52] **U.S. Cl.** **D99/5**

[58] **Field of Search** D99/1, 5, 6, 8,
D99/28; 27/1, 2, 5, 6, 7; D9/432; D6/329,
396, 449, 470; 220/326

[56] **References Cited**

U.S. PATENT DOCUMENTS

D. 248,171 6/1978 Sugarman D99/5
D. 344,390 2/1994 May et al. .
D. 350,010 8/1994 May et al. .
D. 359,831 6/1995 Parker .

Primary Examiner—Paula A. Mortimer
Attorney, Agent, or Firm—Wood, Herron & Evans, L.L.P.

[57] **CLAIM**

The ornamental design for a device for scattering cremation remains, as shown and described.

DESCRIPTION

FIG. 1 is a front perspective view of my new, original and ornamental design for a device for scattering cremation remains;

FIG. 2 is a front elevational view thereof, the rear elevational view being identical;

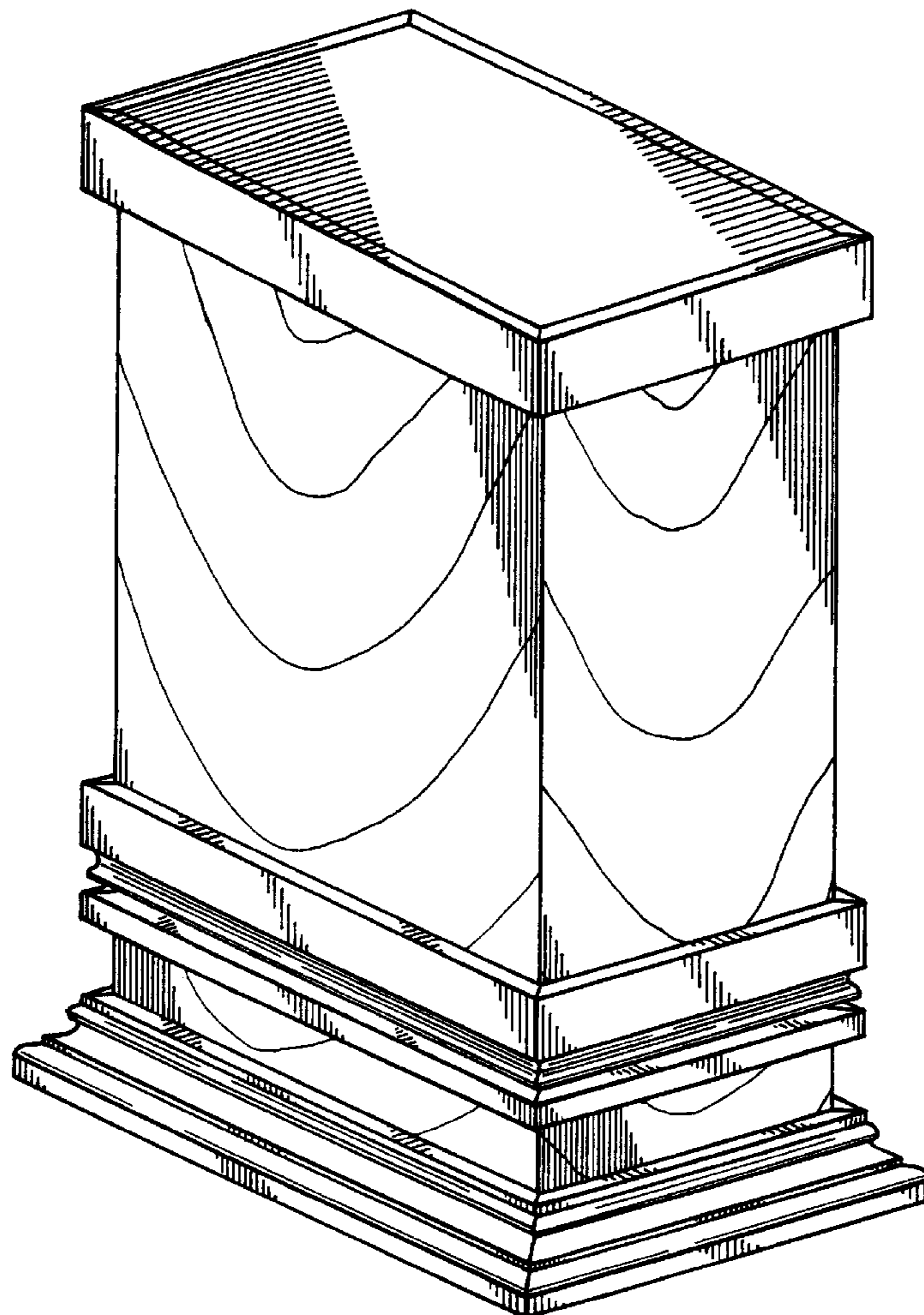
FIG. 3 is a side elevational view thereof, the other side elevational view being identical;

FIG. 4 is a top plan view thereof; and,

FIG. 5 is a bottom plan view thereof.

The broken line showing of the opening in FIG. 5 is for illustrative purposes only and forms no part of the claimed design.

1 Claim, 2 Drawing Sheets



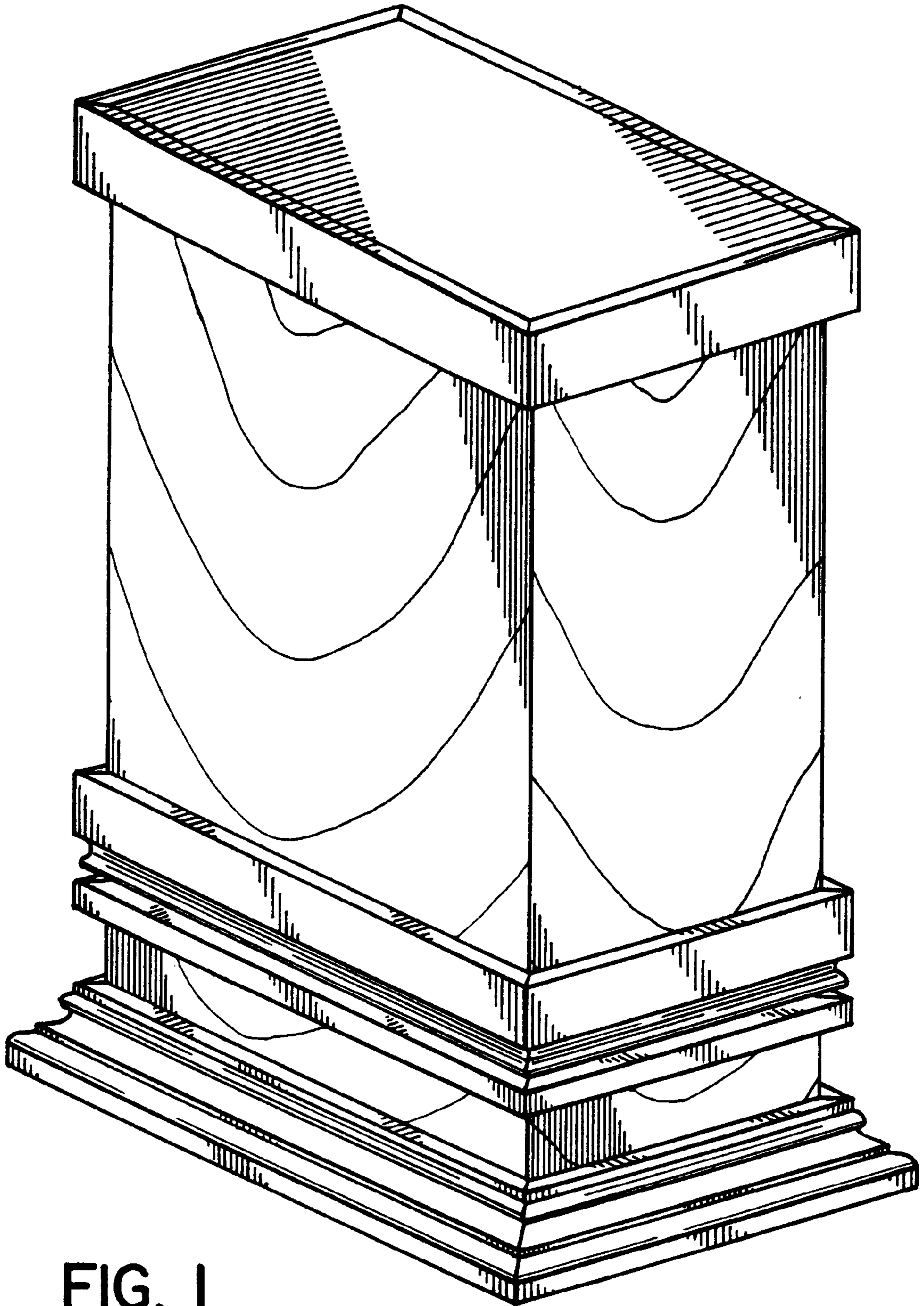


FIG. 1

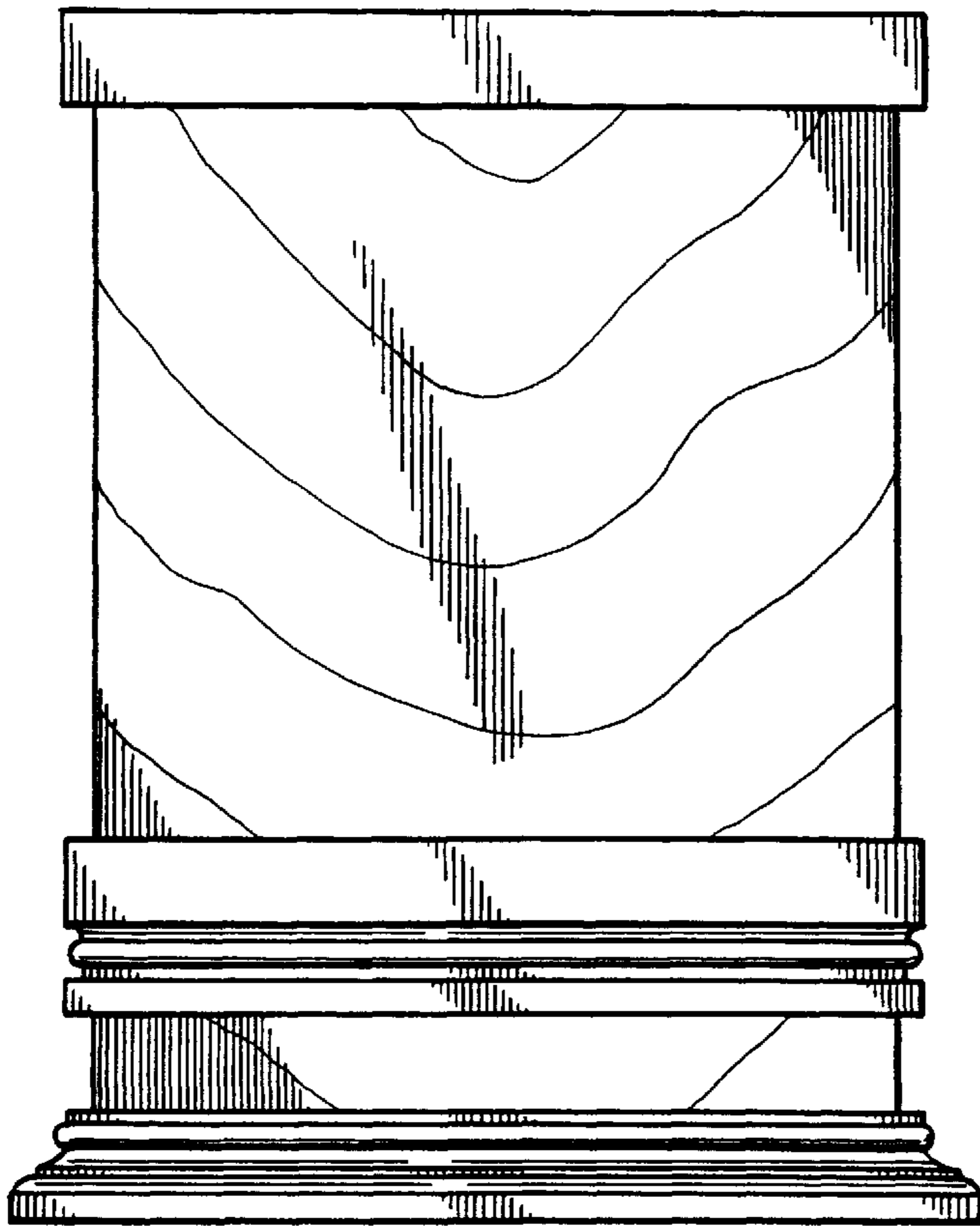


FIG. 2

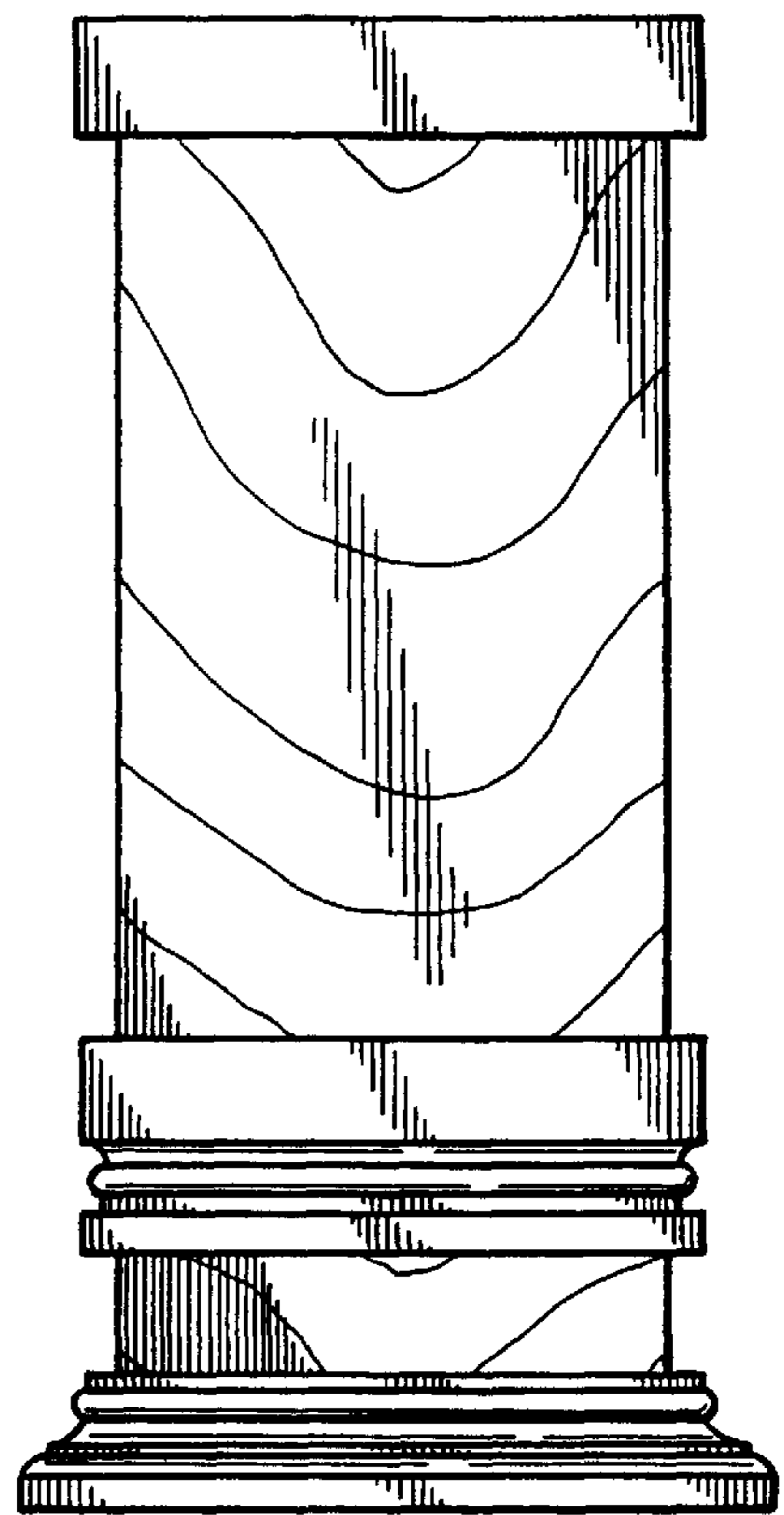


FIG. 3

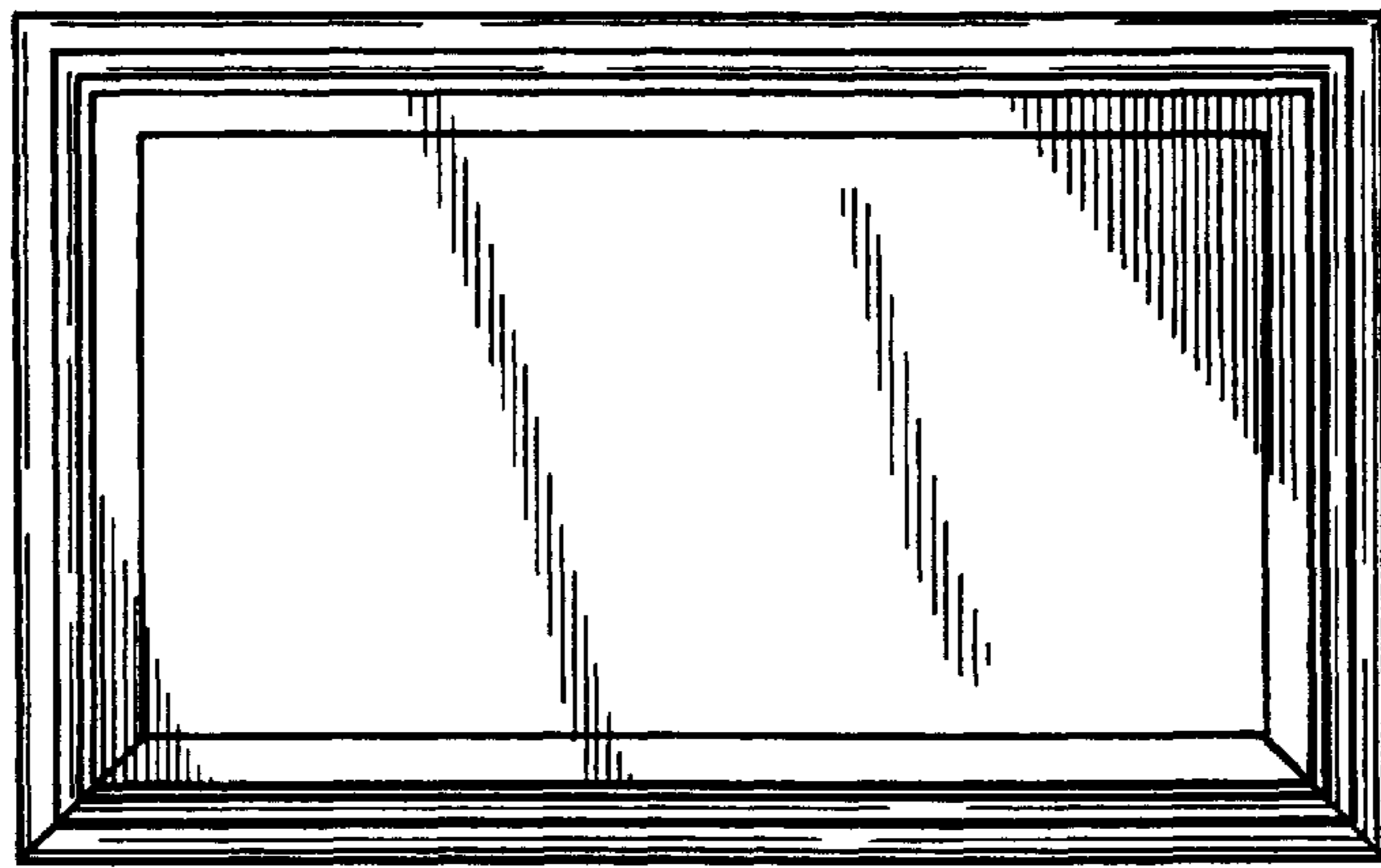


FIG. 4

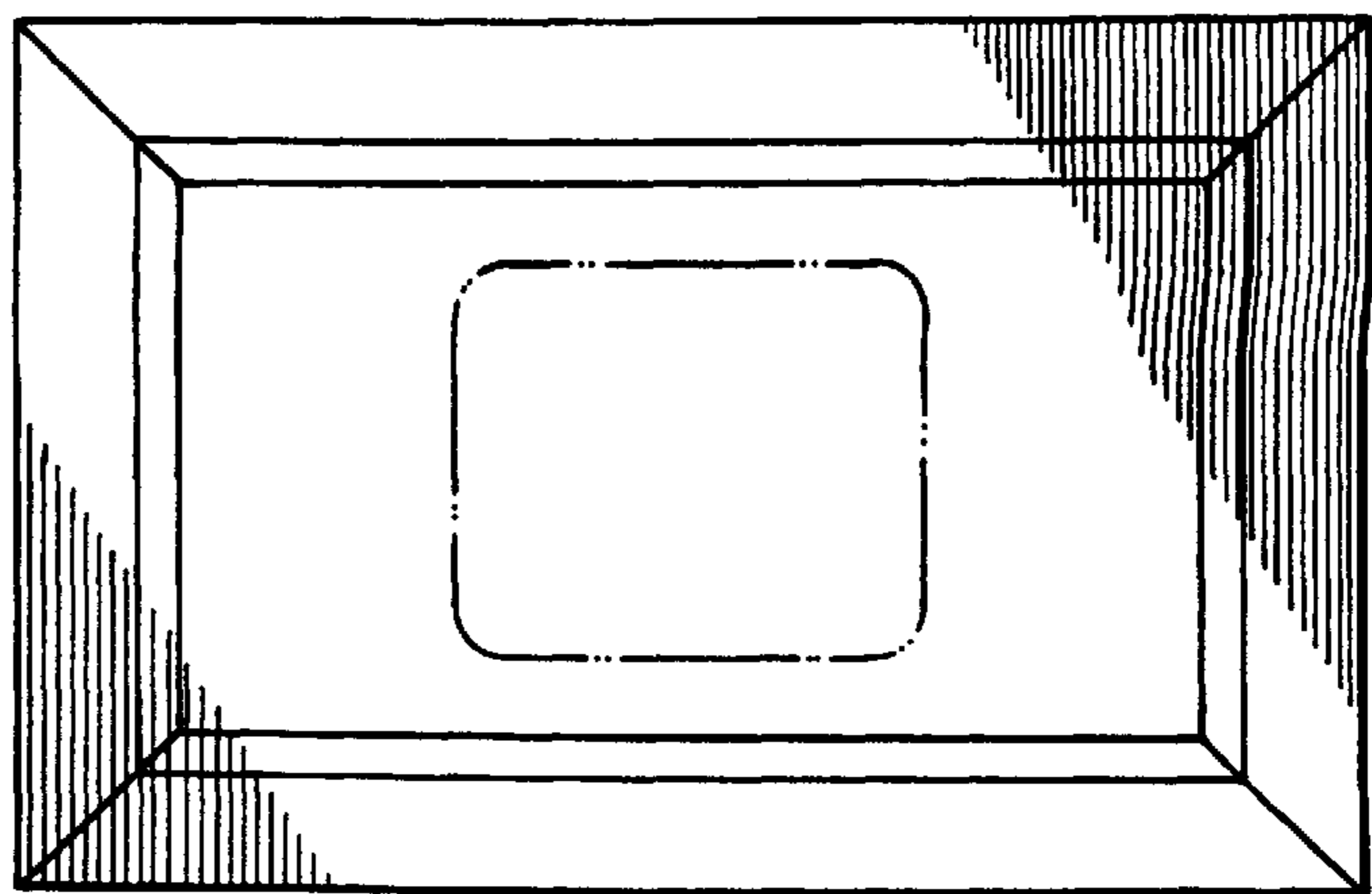


FIG. 5