



US00D421665S

# United States Patent [19]

## Farmer-Abney

[11] **Patent Number: Des. 421,665**

[45] **Date of Patent: \*\* Mar. 14, 2000**

[54] **BARRETTE COVER**

[76] Inventor: **Jeannette M. Farmer-Abney**, 2463 S. Greenville Rd., Greenville, Mich. 48838

[\*\*] Term: **14 Years**

[21] Appl. No.: **29/070,300**

[22] Filed: **May 5, 1997**

[51] **LOC (6) Cl. .... 28-03**

[52] **U.S. Cl. .... D28/43; D28/41; D11/184**

[58] **Field of Search .... D28/39-43; D11/184, D11/200-202, 206, 215, 218, 86, 87; D2/600, 602, 605, 606, 609, 501, 894, 976; 2/137-139, 144, 145, 151, 154, 156, 337; 24/66.2, 66.3, 66.9, 66.13, 163 R, 163 K, 3.1, 6, 11 R, 49.1; 132/275-279; 428/4, 5; 63/1.1, 1.17, 1.18, 40, 43**

### [56] **References Cited**

#### U.S. PATENT DOCUMENTS

D. 127,898	6/1941	Behr .....	D28/42
D. 276,247	11/1984	Kim .....	D21/48
D. 280,447	9/1985	Verducci .....	D28/42
D. 280,942	10/1985	Topalian .....	D28/42
D. 313,373	1/1991	Taylor .....	D11/131
D. 318,540	7/1991	Carter .....	D28/42
D. 346,879	5/1994	McAlister .....	D28/42
D. 357,092	4/1995	Young .....	D28/43
D. 357,550	4/1995	Smith .....	D28/42
672,816	4/1901	Bassett .....	132/275
1,055,428	3/1913	Stone .....	132/275 X
1,359,612	11/1920	Mac Millan .....	24/564
2,170,778	8/1939	Huppert .....	132/275
2,481,791	9/1949	Spokus .....	132/275
2,740,126	4/1956	Nichols et al. ....	2/151
2,773,505	12/1956	Goodman .....	132/275

4,991,607	2/1991	Chen .....	132/278
5,379,783	1/1995	Healzer et al. ....	132/279

#### FOREIGN PATENT DOCUMENTS

47461	6/1909	Switzerland .....	24/329
-------	--------	-------------------	--------

#### OTHER PUBLICATIONS

Johnson, *Quick and Easy Ways With Ribbon*. Radnor, Pa: Chilton Bokk Company, 1993; p. 46: bow indicated by arrow.

*Primary Examiner*—Ted Shooman  
*Assistant Examiner*—C. Tuttle  
*Attorney, Agent, or Firm*—David L. Volk

### [57] **CLAIM**

The ornamental design for a barrette cover, as shown and described.

### **DESCRIPTION**

FIG. 1 is a top perspective view of a barrette cover showing my new design;

FIG. 2 is a top perspective view of the barrette holding portion of the design shown separate from the assembly for clarity and completeness of disclosure;

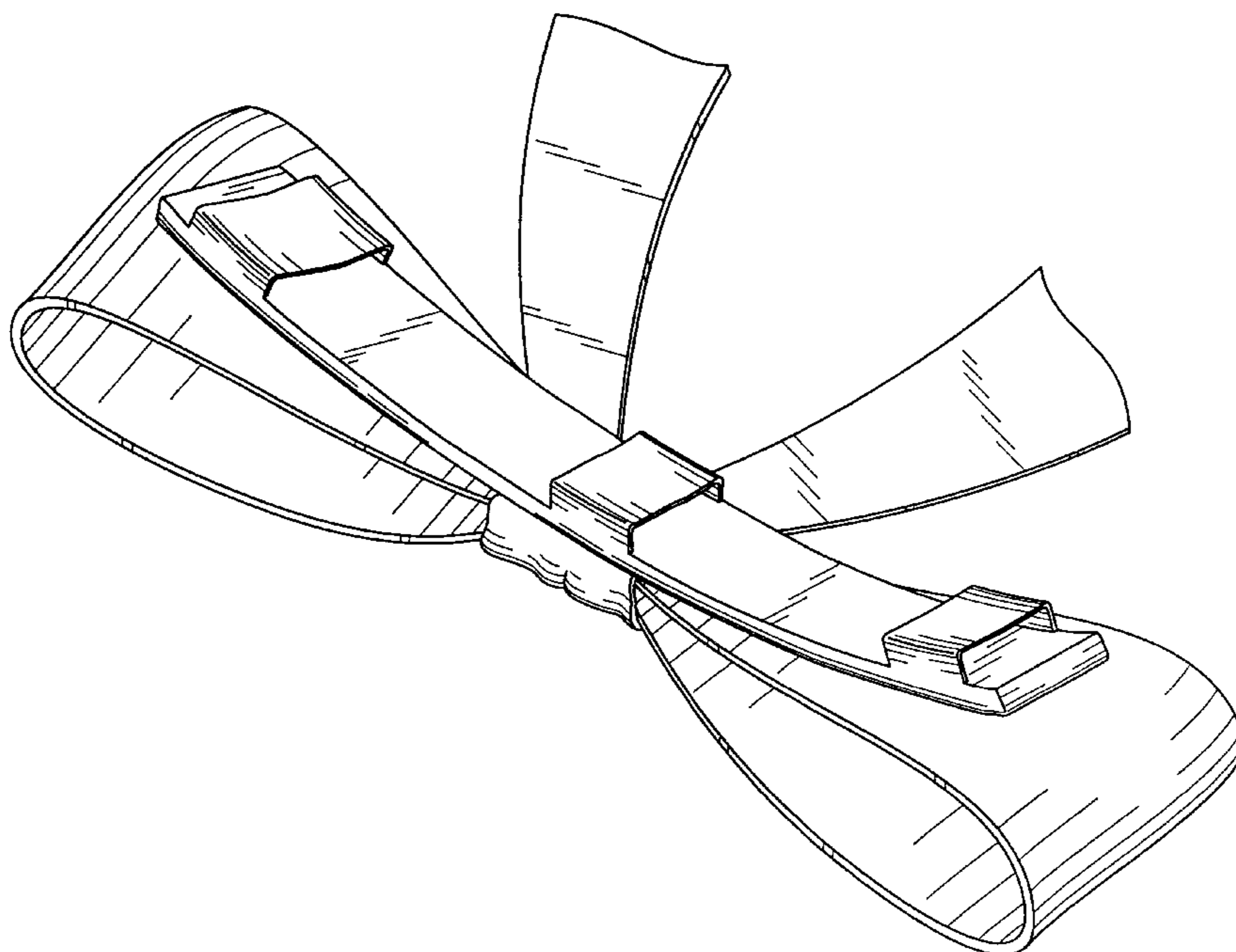
FIG. 3 is a bottom perspective view of FIG. 1; and,

FIG. 4 is a bottom perspective view thereof, shown attached to a barrette.

The broken lines showing the barrette are for illustrative purposes only and form no part of the claimed design. The portions of the assembly that are not visible in the drawing are unornamented and follow the contours of the surfaces shown.

The portions of the assembly that are not visible in the drawing are unornamented and follow the contours of the surfaces shown.

**1 Claim, 4 Drawing Sheets**



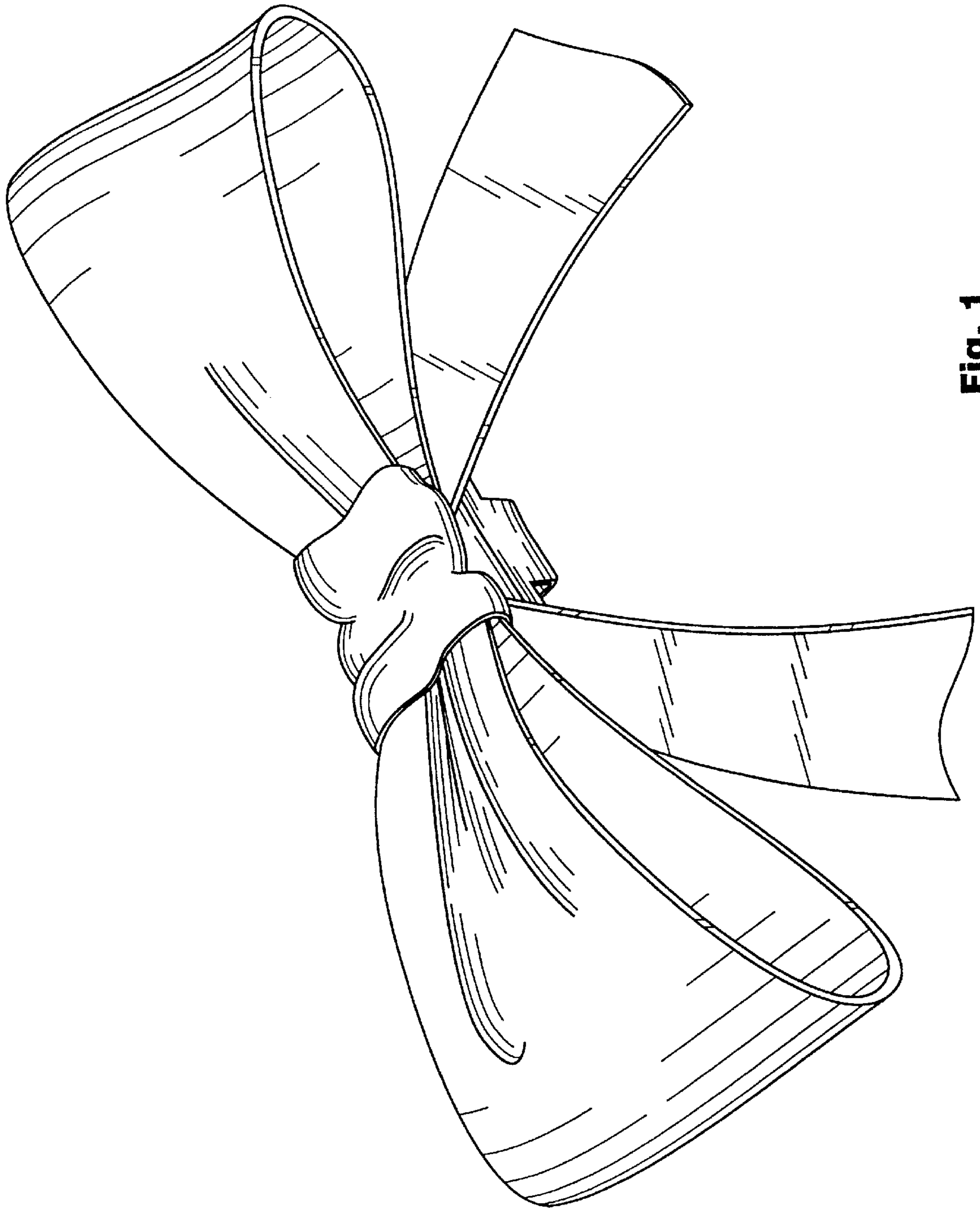
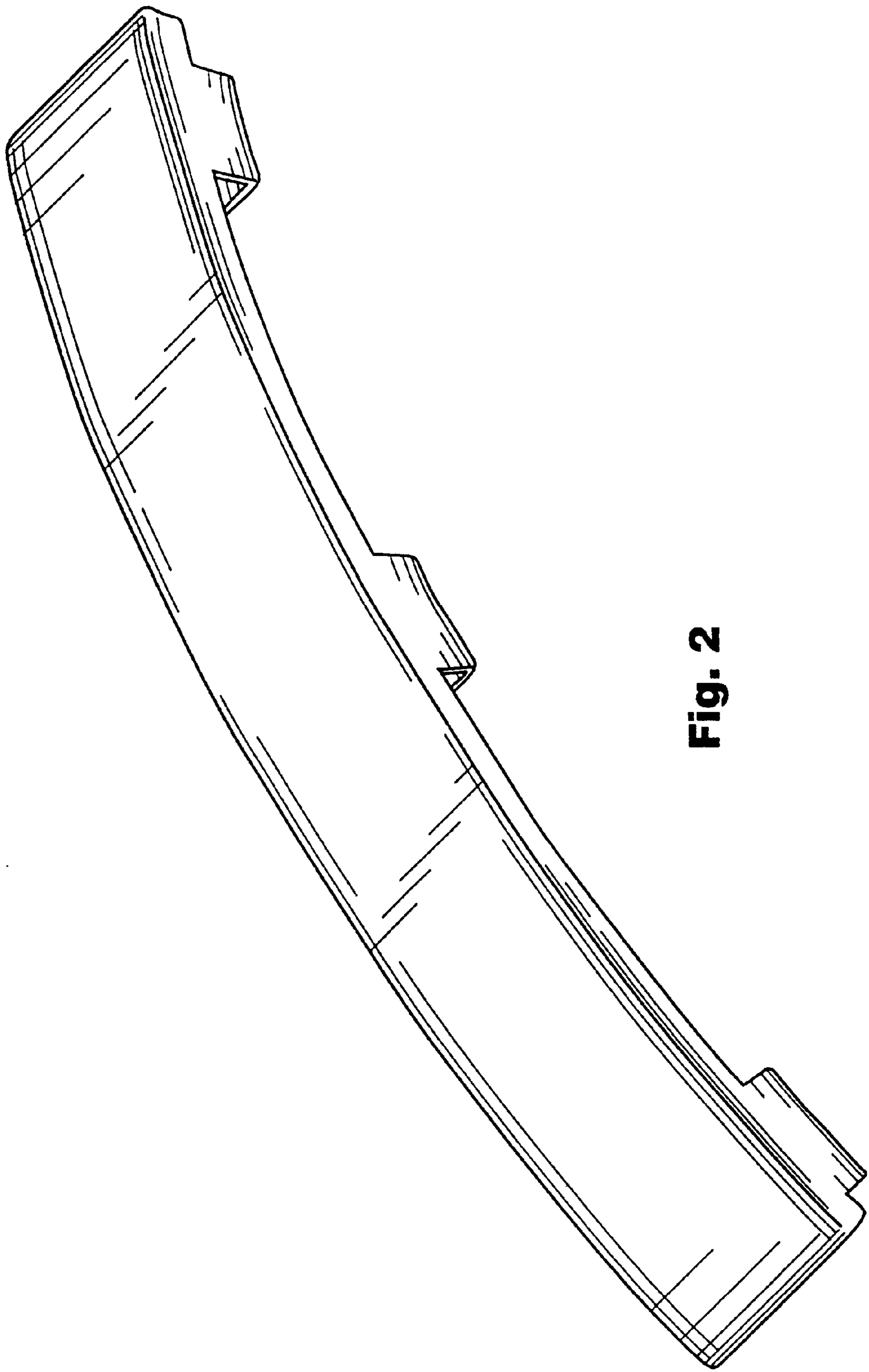


Fig. 1



**Fig. 2**

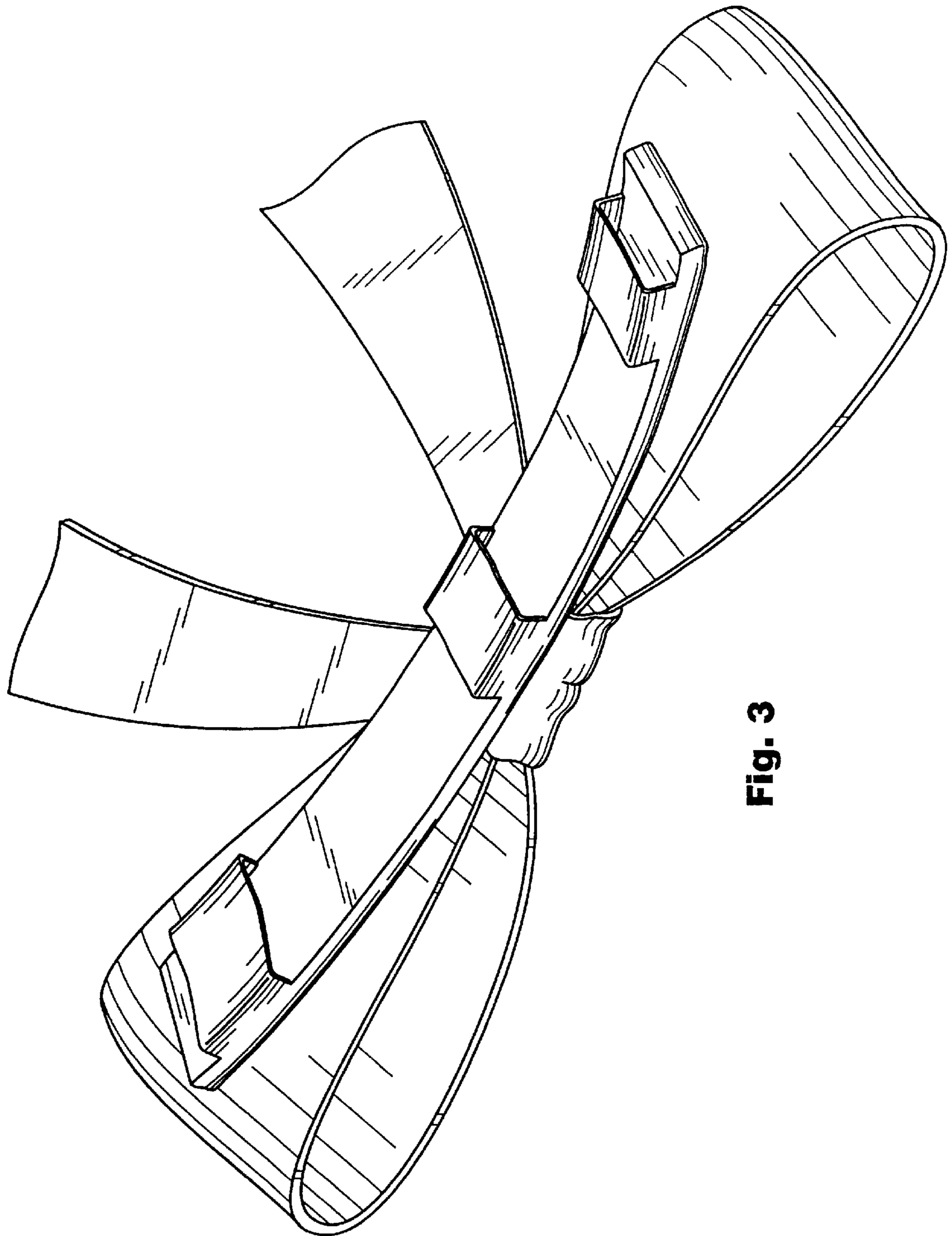


Fig. 3

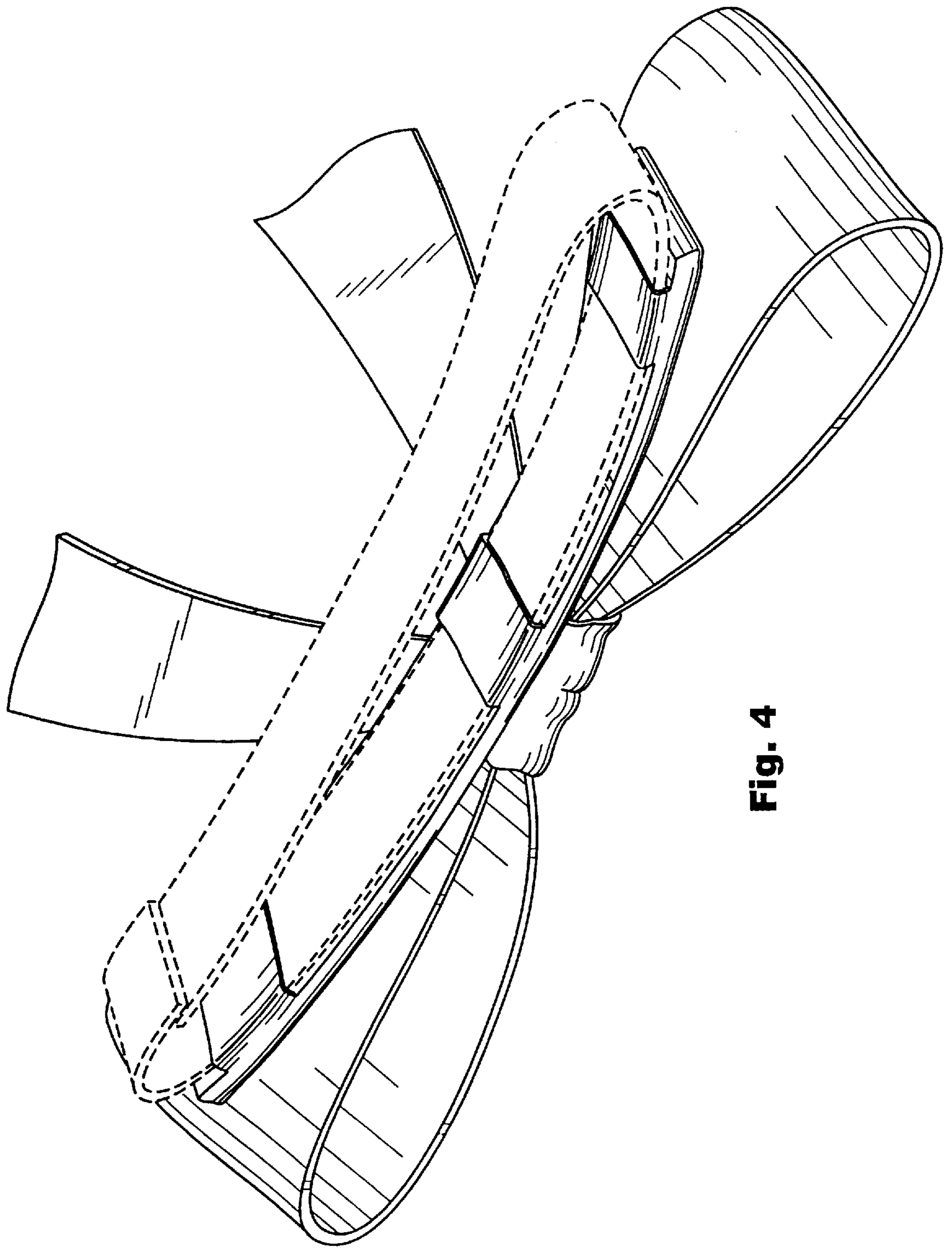


Fig. 4