



US00D421664S

**United States Patent** [19]  
**Sherman**

[11] **Patent Number: Des. 421,664**

[45] **Date of Patent: \*\* Mar. 14, 2000**

[54] **ADJUSTABLE LAMP STAND**

*Attorney, Agent, or Firm—John L. Welch*

[75] Inventor: **Roger Sherman**, Jamaica Plain, Mass.

[57] **CLAIM**

[73] Assignee: **Tensor Corporation**, Chelsea, Mass.

The ornamental design for an adjustable lamp stand, as shown and described.

[\*\*] Term: **14 Years**

**DESCRIPTION**

[21] Appl. No.: **29/086,359**

[22] Filed: **Apr. 10, 1998**

[51] **LOC (6) Cl.** ..... **26-99**

[52] **U.S. Cl.** ..... **D26/153; D26/64; D26/140**

[58] **Field of Search** ..... D26/60-66; 362/269,  
362/275, 287, 288, 418, 419, 427, 410-414;  
248/158, 161, 159, 160, 284.1

FIG. 1 is a perspective view of the adjustable lamp stand according to my new design. The broken line drawing of a lamp shade attached to the lamp base is for illustrative purposes only, and forms no part of the claimed design.

FIG. 2 is a front elevational view of the adjustable lamp stand according to my new design.

FIG. 3 is a left side elevational view of the adjustable lamp stand.

FIG. 4 is a right side elevational view of the adjustable lamp stand.

FIG. 5 is a rear elevational view of the adjustable lamp stand.

FIG. 6 is a top plan view of the adjustable lamp stand; and,

FIG. 7 is a bottom plan view thereof.

[56] **References Cited**

**U.S. PATENT DOCUMENTS**

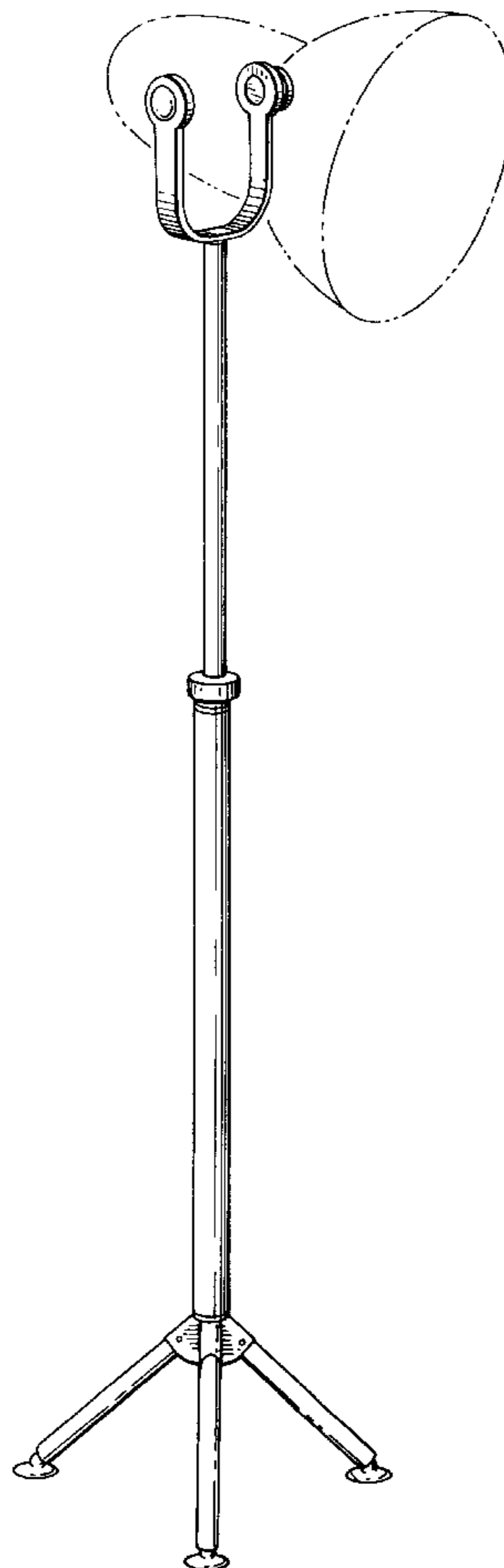
1,787,251	12/1930	Jancke et al.	.....	248/161	X
2,695,950	11/1954	Zingone	.....	362/275	
3,382,356	5/1968	Eyth	.....	D26/64	X
4,448,378	5/1984	Binfare	.....	248/188.7	

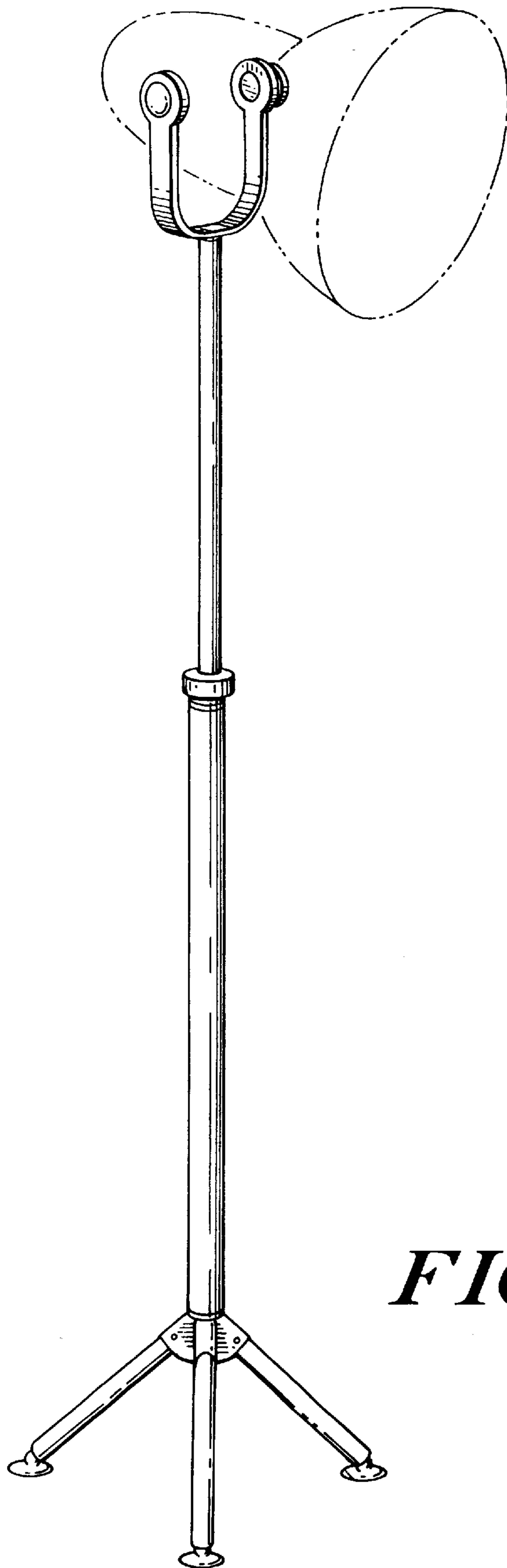
**OTHER PUBLICATIONS**

Home Lighting and Accessories, p. 92, Grandlite adjustable spotlight with stand, Group 2900, Dec. 1992.

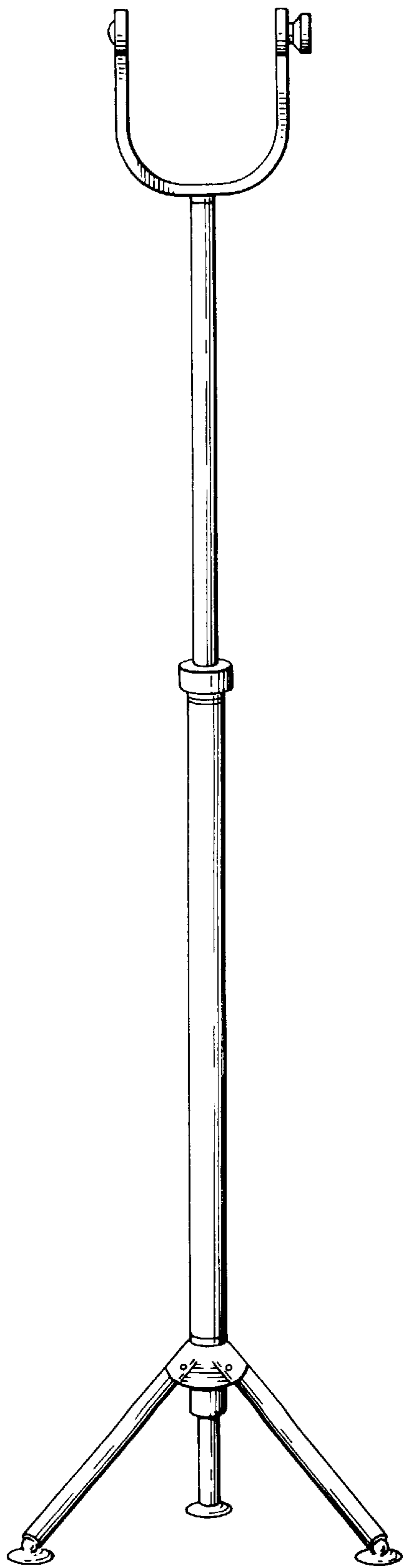
*Primary Examiner—Susan J. Lucas*

**1 Claim, 4 Drawing Sheets**

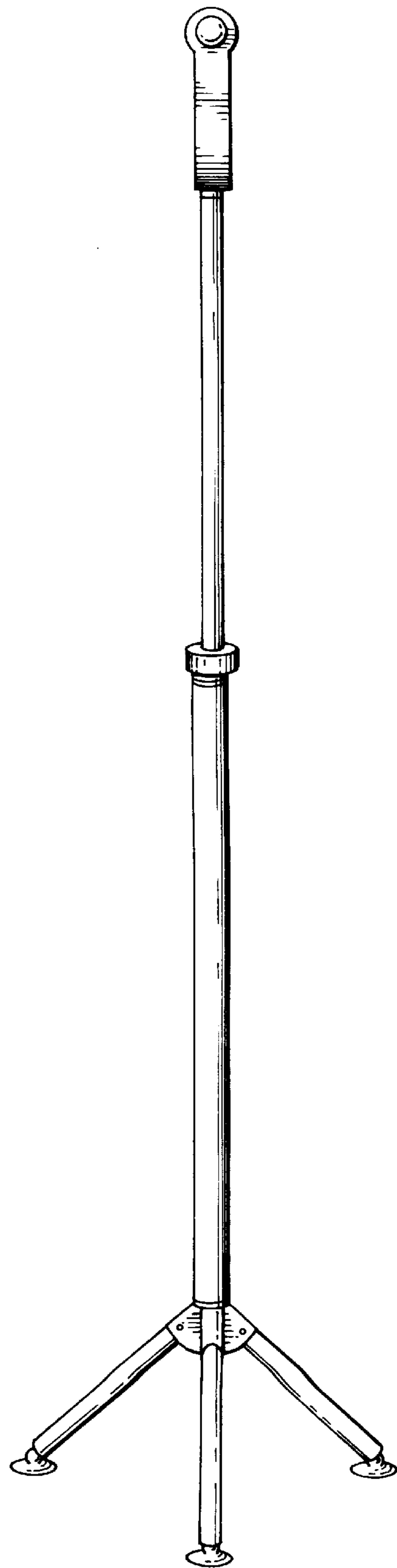




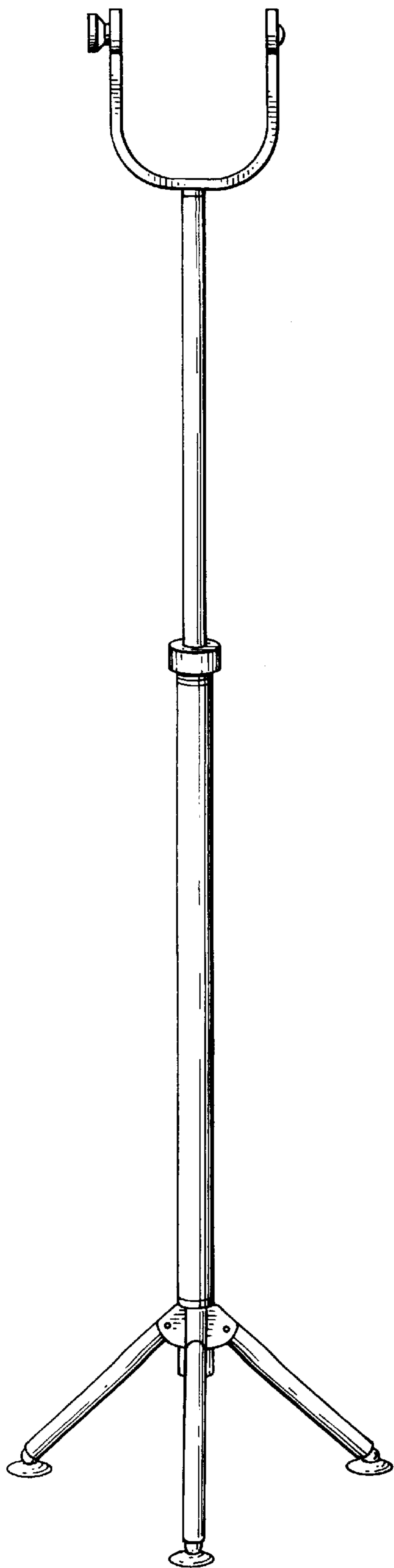
*FIG. 1*



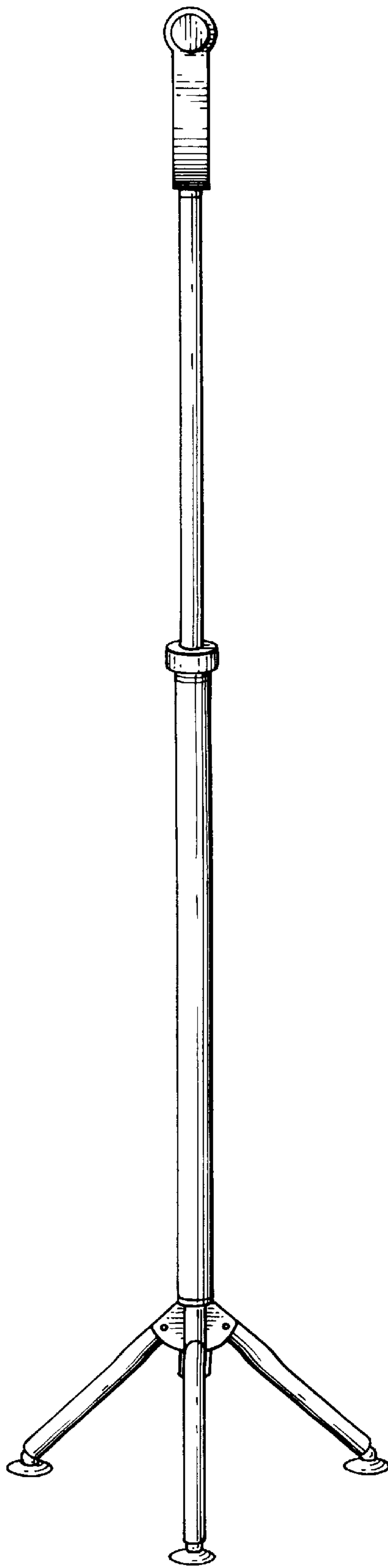
*FIG. 2*



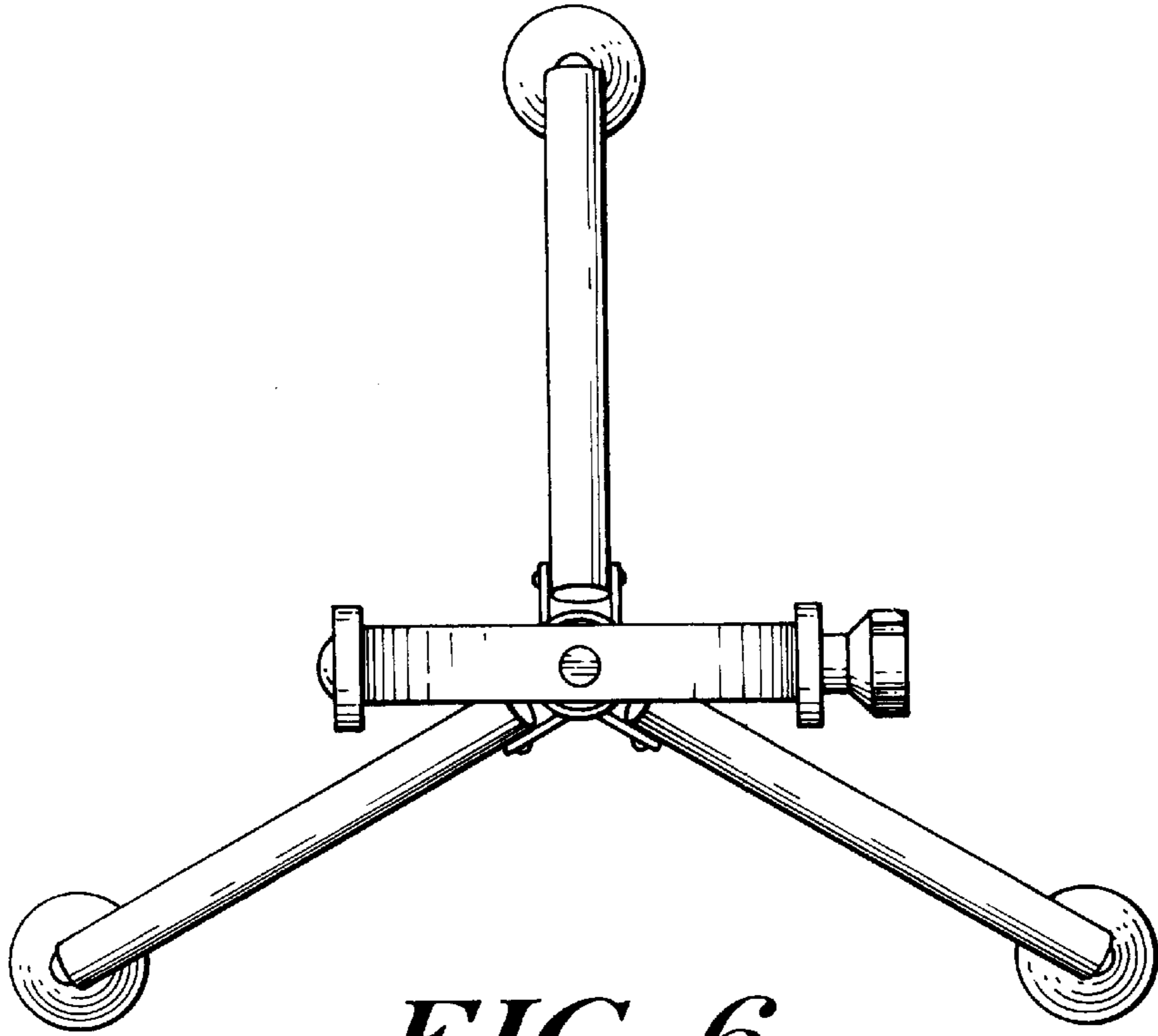
*FIG. 3*



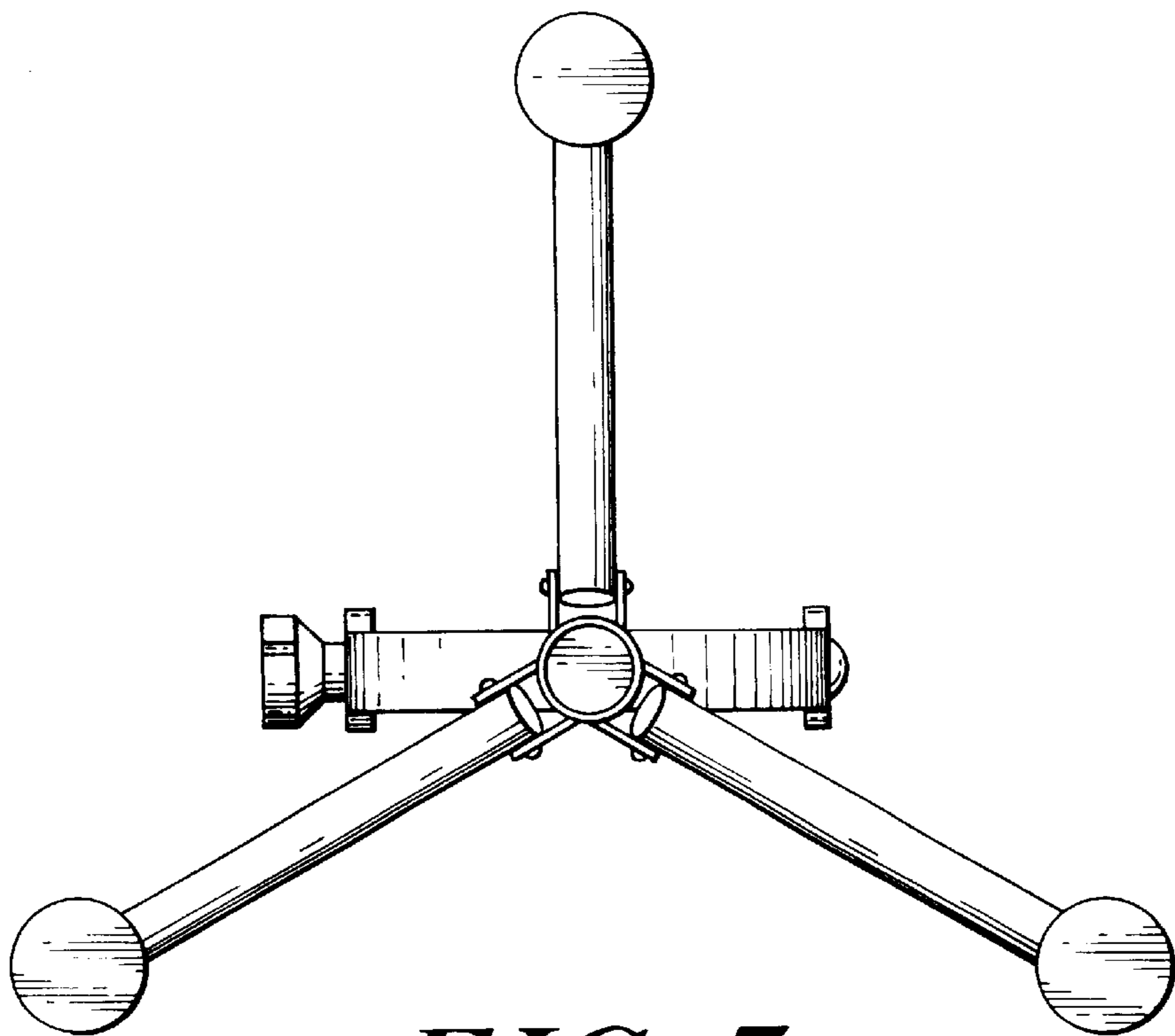
*FIG. 5*



*FIG. 4*



*FIG. 6*



*FIG. 7*