



US00D421661S

United States Patent [19] Blye

[11] **Patent Number: Des. 421,661**

[45] **Date of Patent: ** Mar. 14, 2000**

[54] **SHOP LIGHT**

[75] Inventor: **Bruce A. Blye**, Commerce, Calif.

[73] Assignee: **National Electric Mfg. Corp.**,
Commerce, Calif.

[**] Term: **14 Years**

[21] Appl. No.: **29/104,920**

[22] Filed: **May 14, 1999**

[51] **LOC (6) Cl.** **26-02**

[52] **U.S. Cl.** **D26/42**

[58] **Field of Search** D26/37-50; 362/157,
362/158, 183-191, 196, 197, 198, 199,
200, 377, 378, 376

[56] **References Cited**

U.S. PATENT DOCUMENTS

D. 335,756 5/1993 Gaynor D26/42

D. 367,123 2/1996 Blye D26/42
D. 409,776 5/1999 Ghode et al. D26/42

Primary Examiner—Marcus A. Jackson
Attorney, Agent, or Firm—Edgar W. Averill, Jr.

[57] **CLAIM**

The ornamental design for a shop light, as shown and described.

DESCRIPTION

FIG. 1 is a front view of a shop light showing my new design, and with the broken line showing for illustrative purposes only and forming no part of the claimed design; FIG. 2 is a left side view thereof, with the opposite side being a mirror image thereof; FIG. 3 is a back view thereof; FIG. 4 is a top view thereof; and, FIG. 5 is a bottom view thereof.

1 Claim, 2 Drawing Sheets

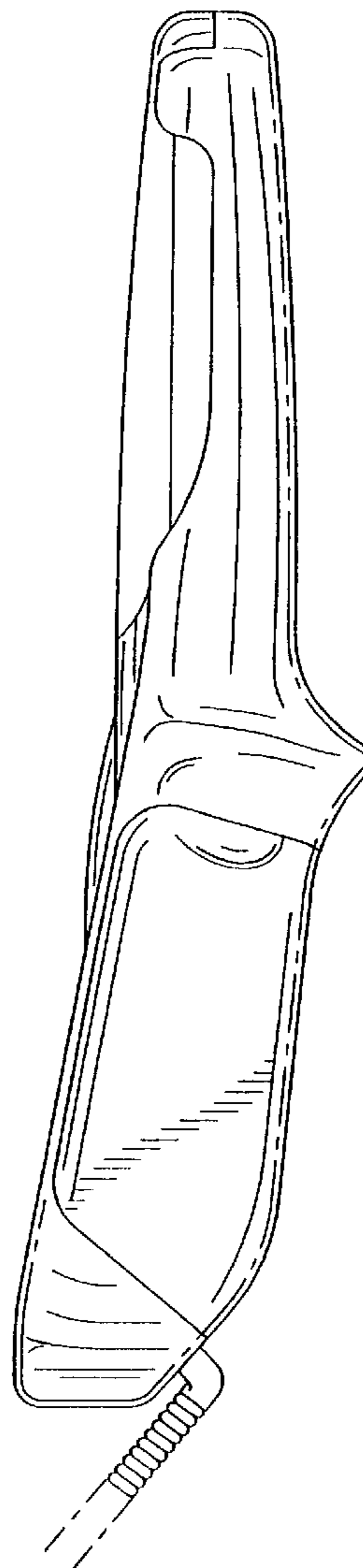
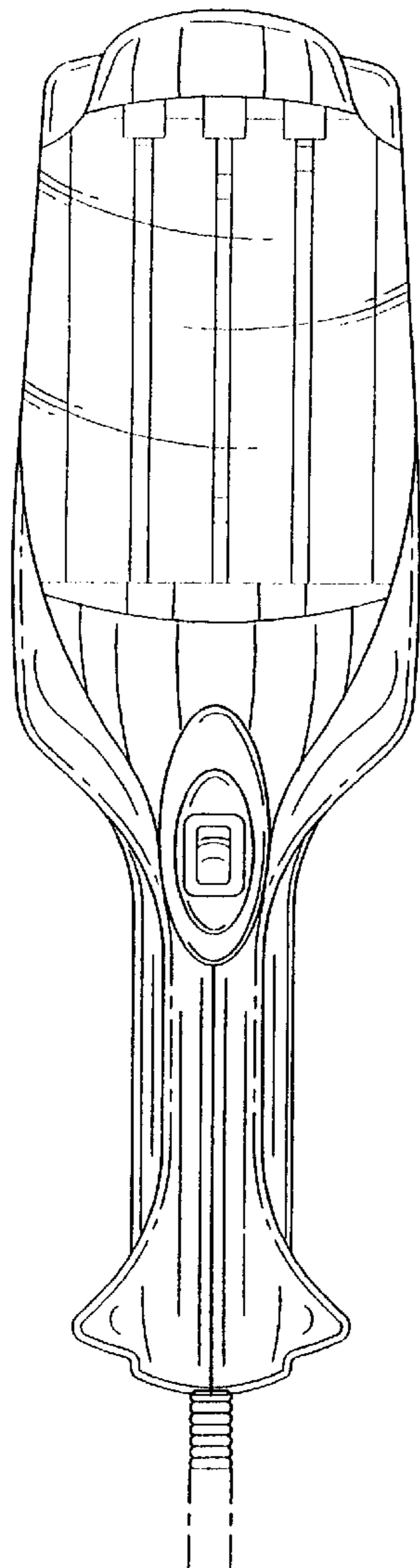


FIG. 1

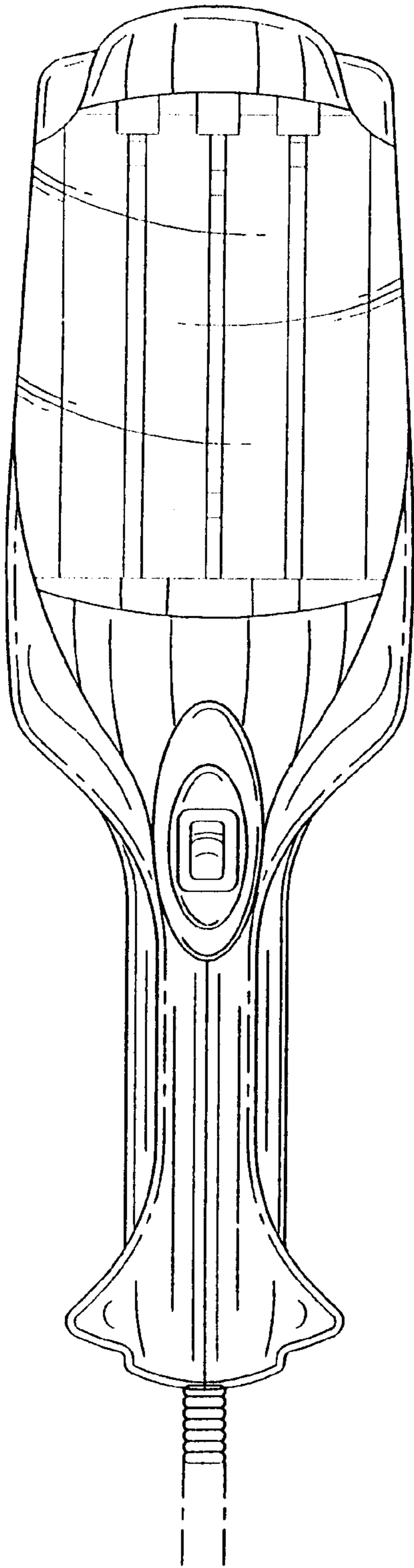


FIG. 2

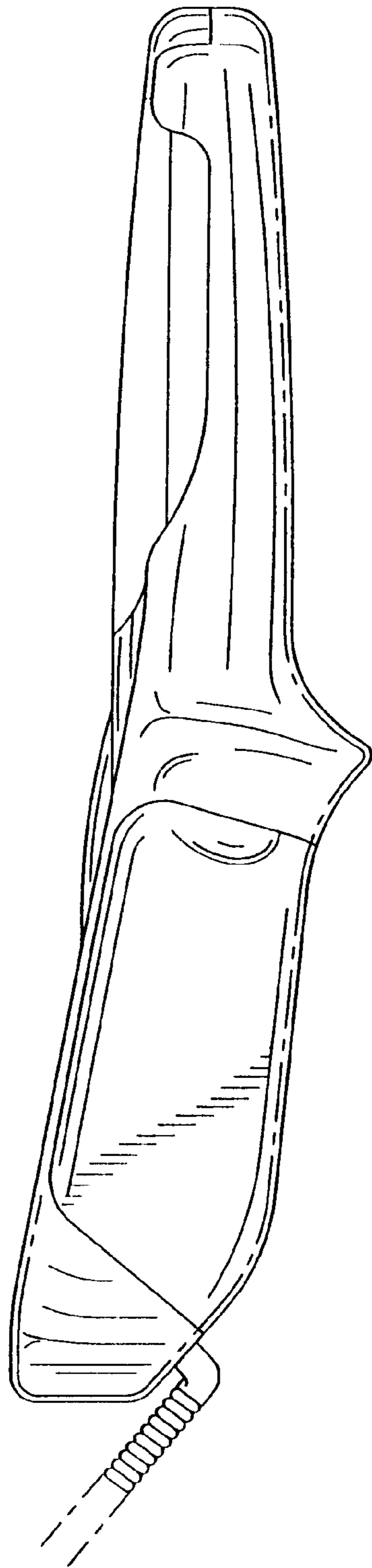


FIG. 3

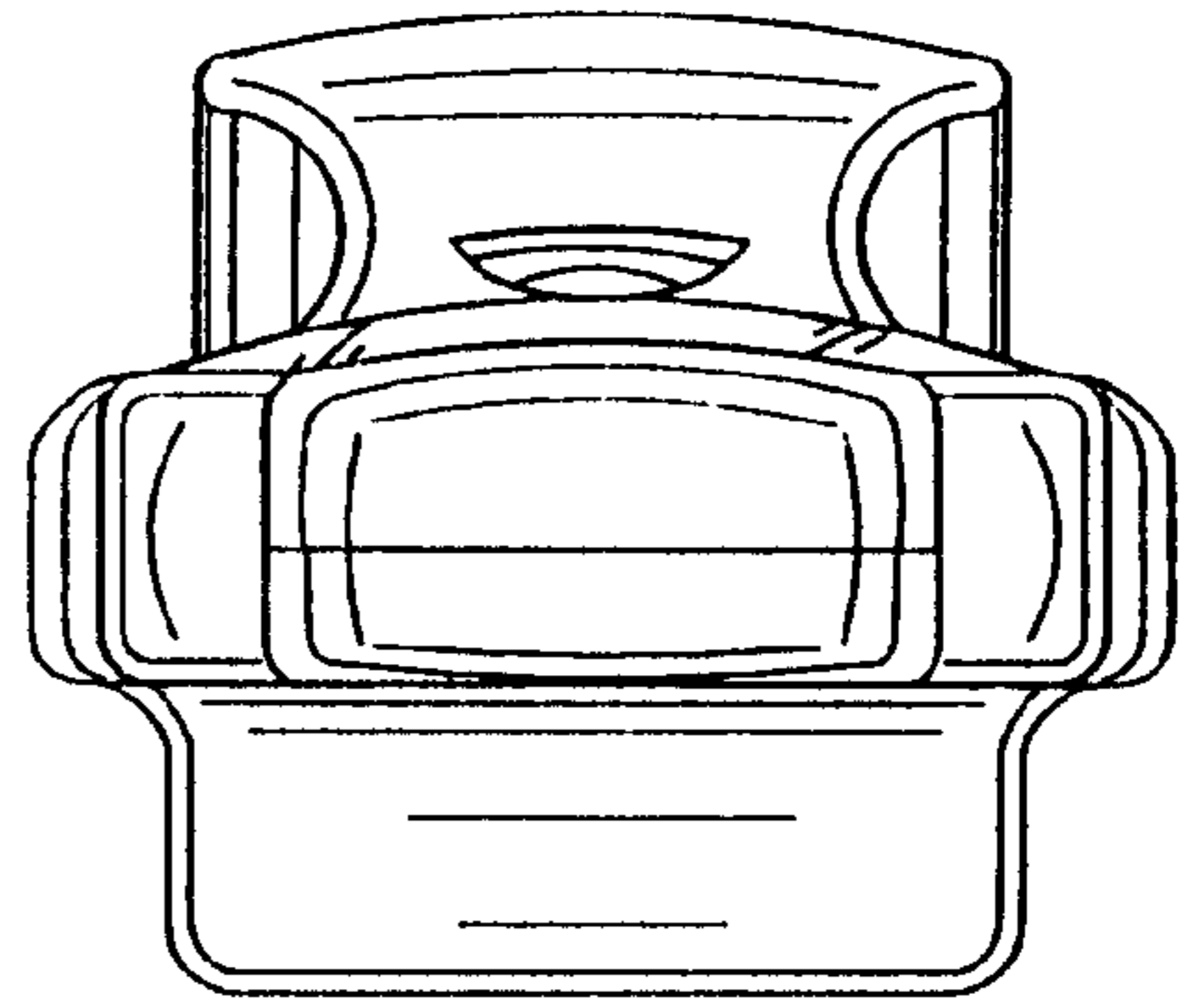
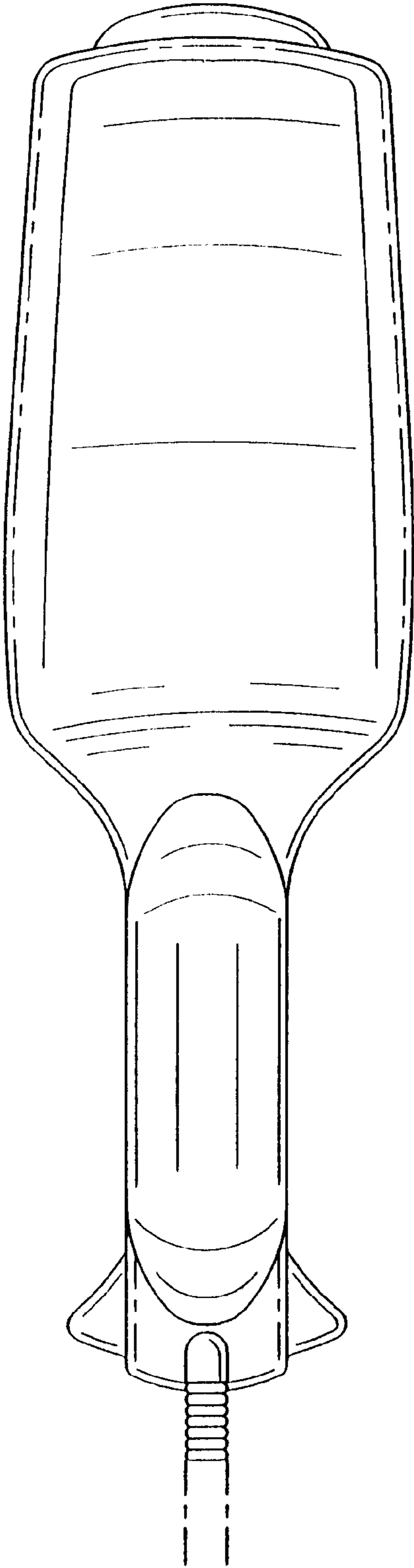


FIG. 4

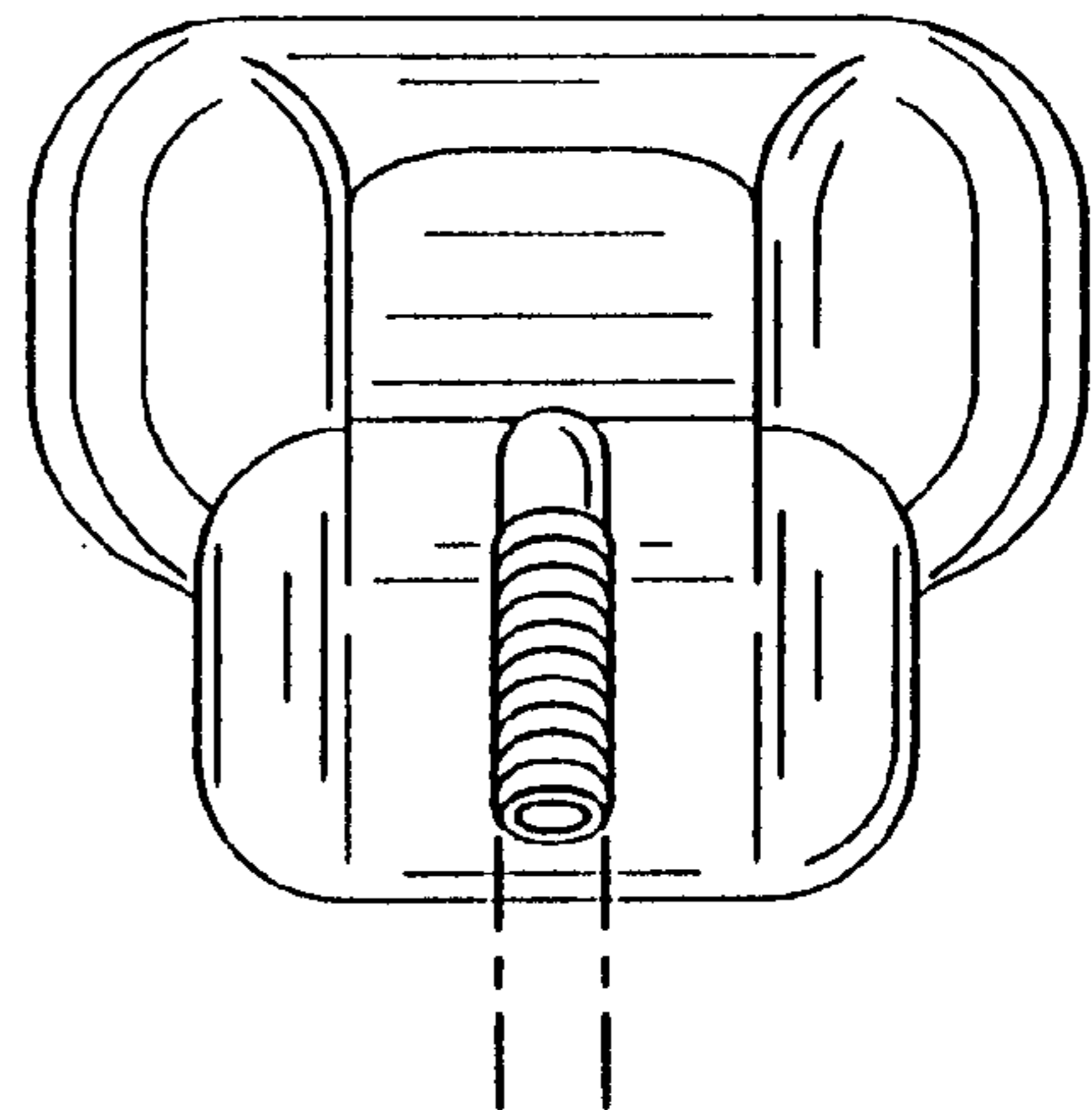


FIG. 5