



US00D421660S

# United States Patent [19] Shing

[11] **Patent Number: Des. 421,660**

[45] **Date of Patent: \*\* Mar. 14, 2000**

[54] **LANTERN**

D. 392,061 3/1998 Zo ..... D26/42

[75] Inventor: **Shiu Shing**, Kowloon, The Hong Kong Special Administrative Region of the People's Republic of China

*Primary Examiner*—Marcus A. Jackson  
*Attorney, Agent, or Firm*—Larson & Taylor

[73] Assignee: **Favour Light Enterprises Ltd.**, Kowloon, The Hong Kong Special Administrative Region of the People's Republic of China

[57] **CLAIM**

The ornamental design of a lantern, as shown and described.

[\*\*] Term: **14 Years**

**DESCRIPTION**

[21] Appl. No.: **29/099,207**

FIG. 1 is a top plan view of a lantern according to the invention.

[22] Filed: **Jan. 15, 1999**

FIG. 2 is a front view of the lantern depicted in FIG. 1.

[30] **Foreign Application Priority Data**

Jul. 10, 1998 [CN] China ..... 98323125-7

FIG. 3 is a rear view of the lantern depicted in FIG. 1.

[51] **LOC (6) Cl.** ..... **26-02**

[52] **U.S. Cl.** ..... **D26/40**

FIG. 4 is a right side view of the lantern depicted in FIG. 1.

[58] **Field of Search** ..... D26/37-50; 362/157, 362/158, 183, 184, 188-203

FIG. 5 is a left side view of the lantern depicted in FIG. 1; and,

FIG. 6 is a bottom plan view of the lantern depicted in FIG. 1.

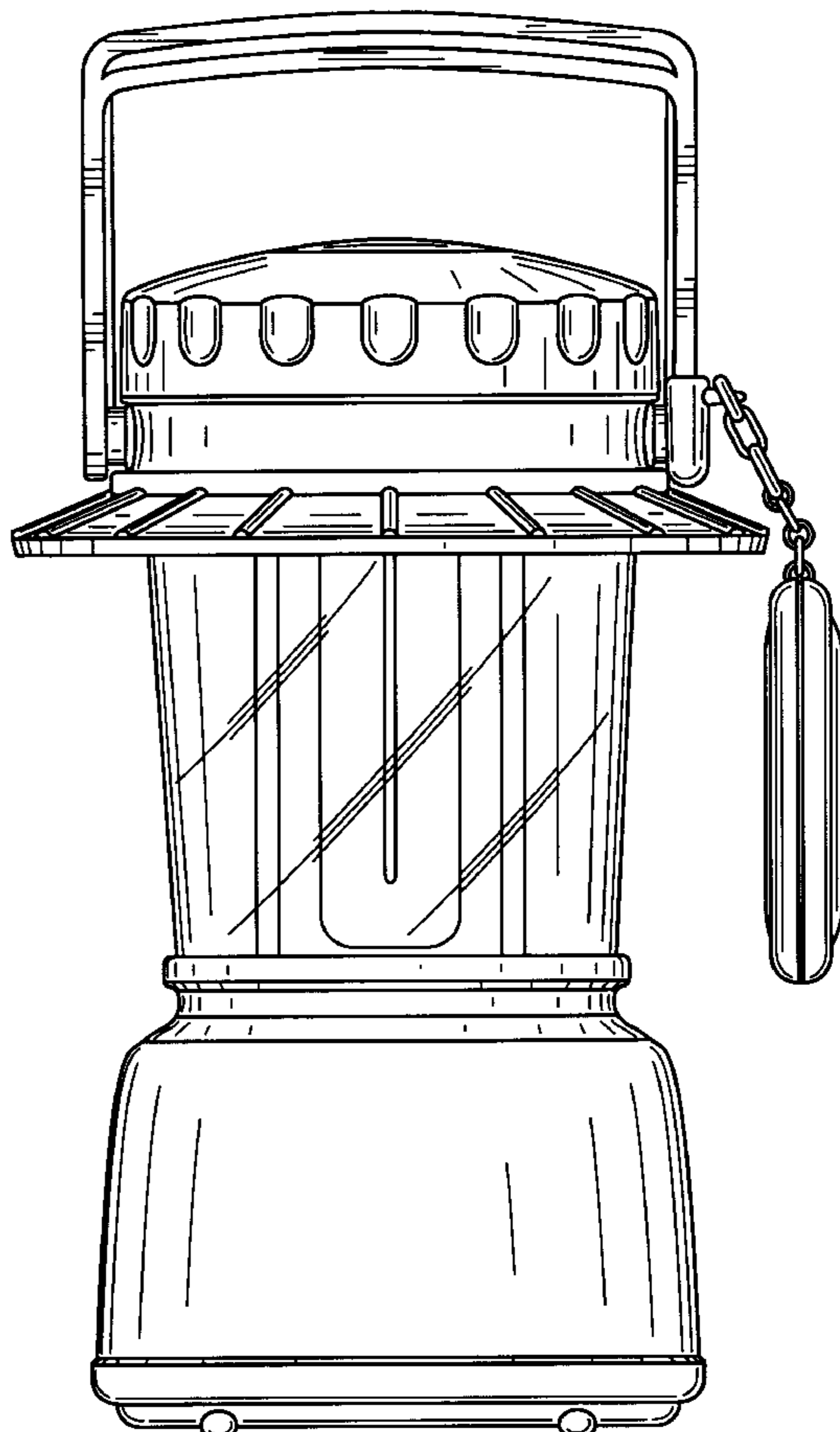
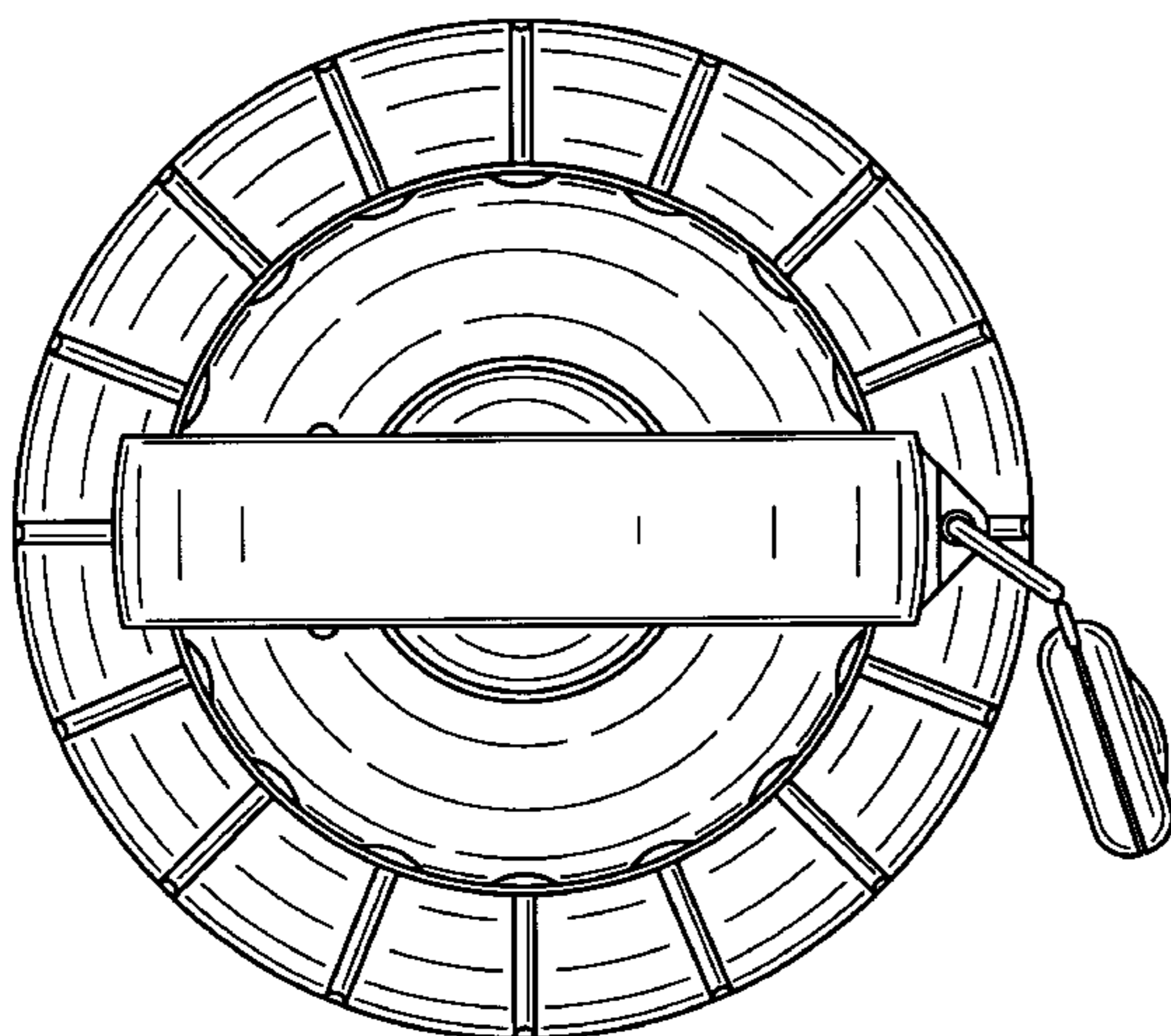
The lantern includes a remote control removably attached to the base of the carrying handle.

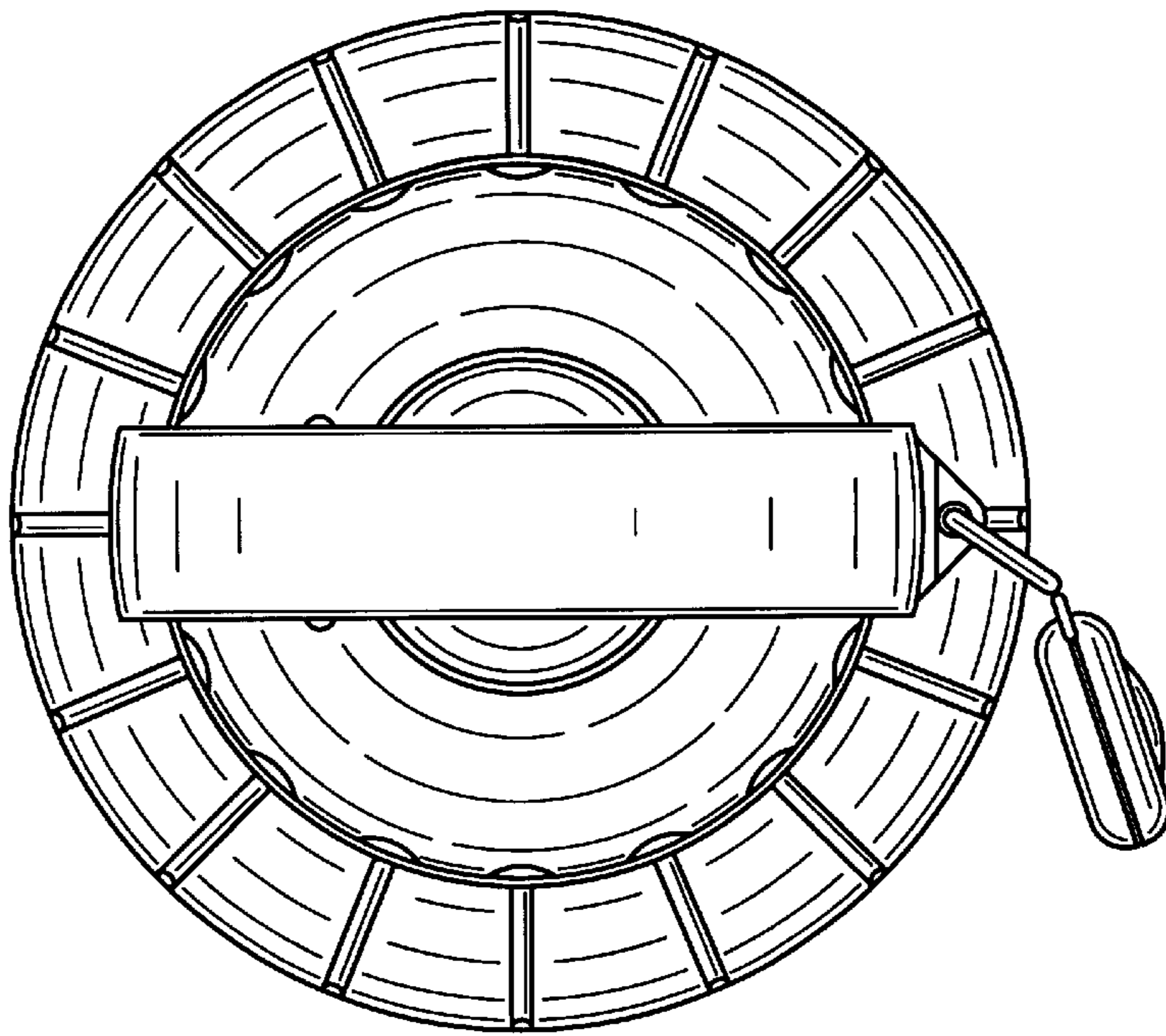
[56] **References Cited**

**U.S. PATENT DOCUMENTS**

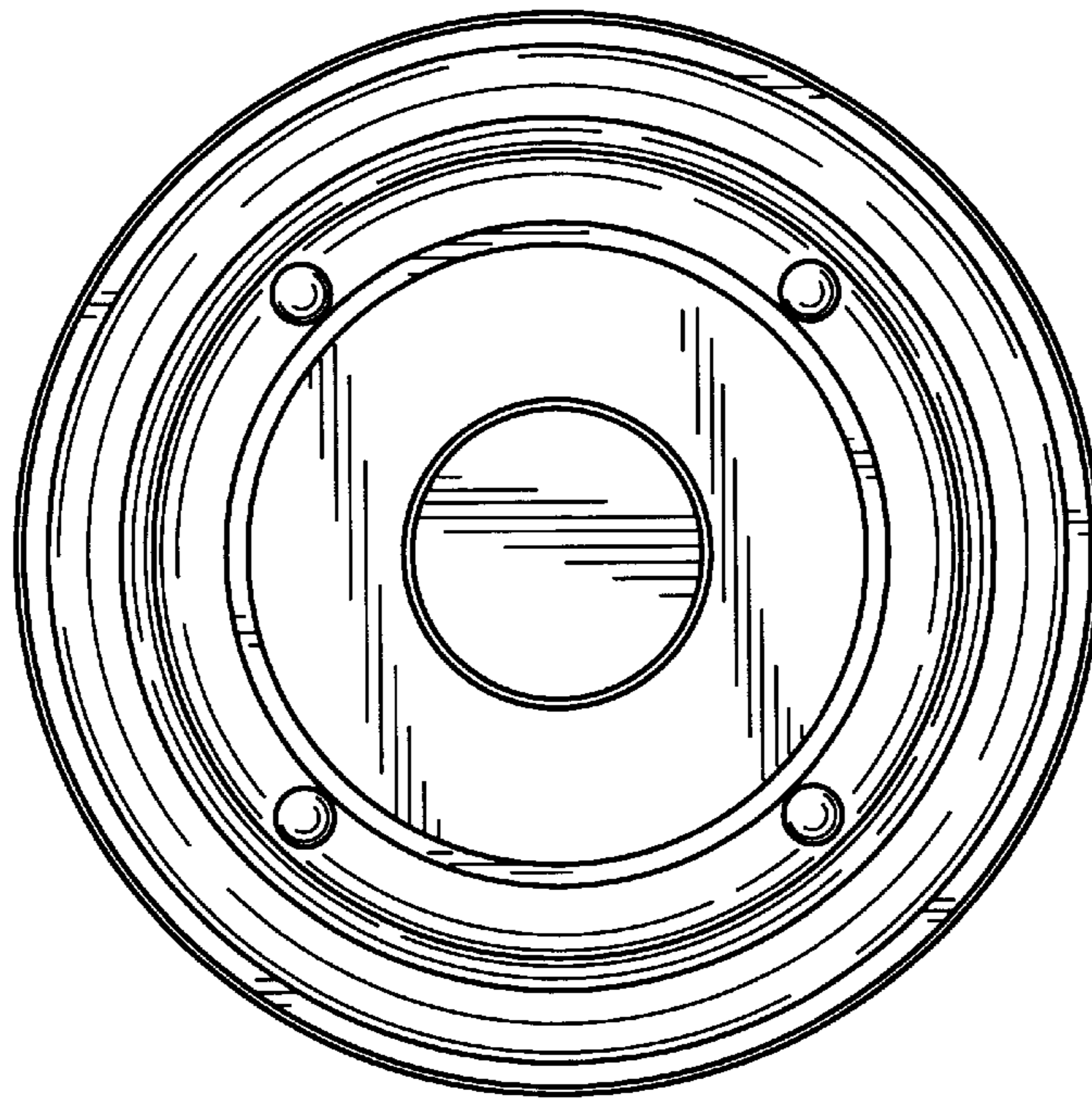
D. 382,358 8/1997 Poon ..... D26/42

**1 Claim, 5 Drawing Sheets**

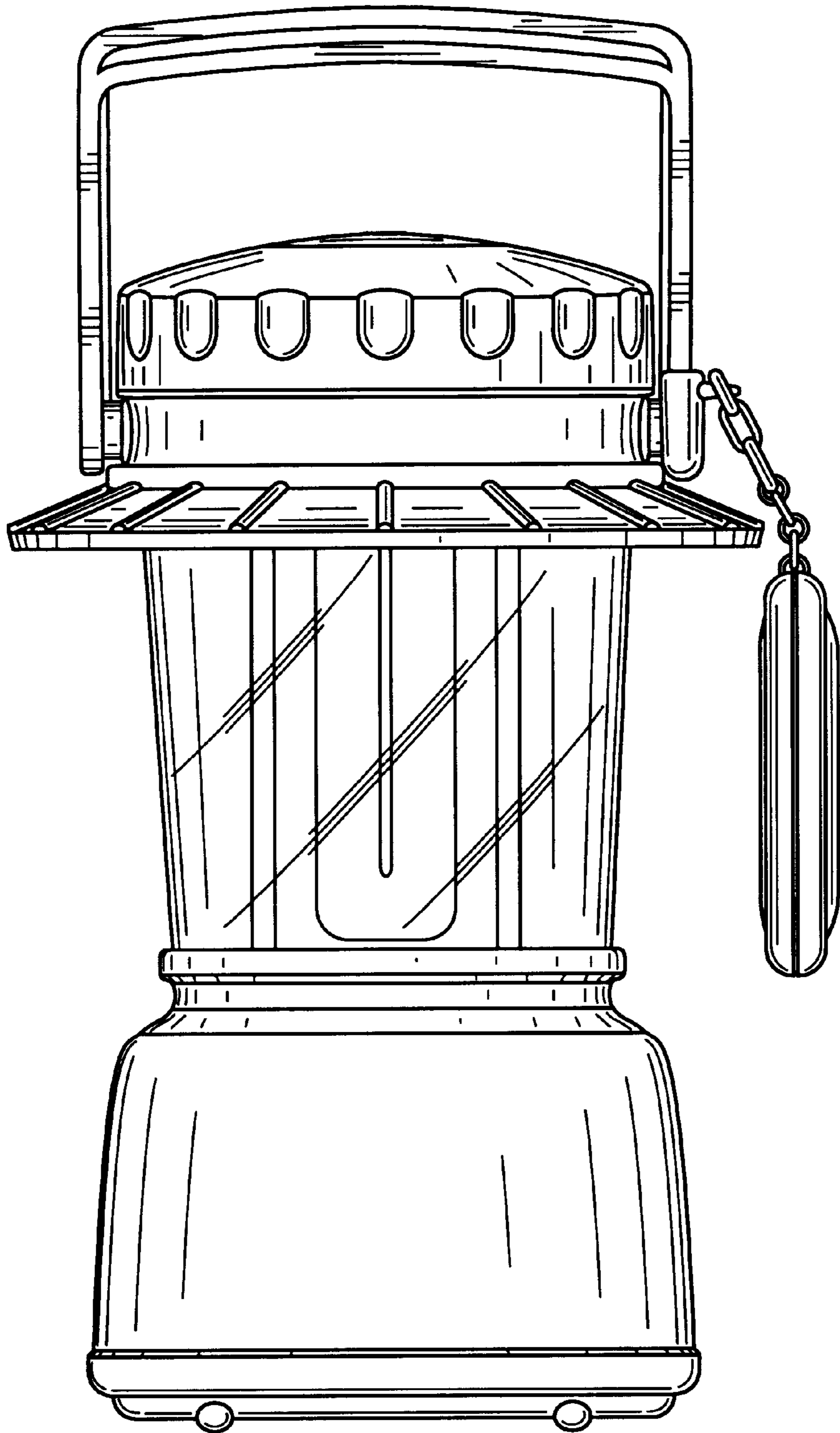




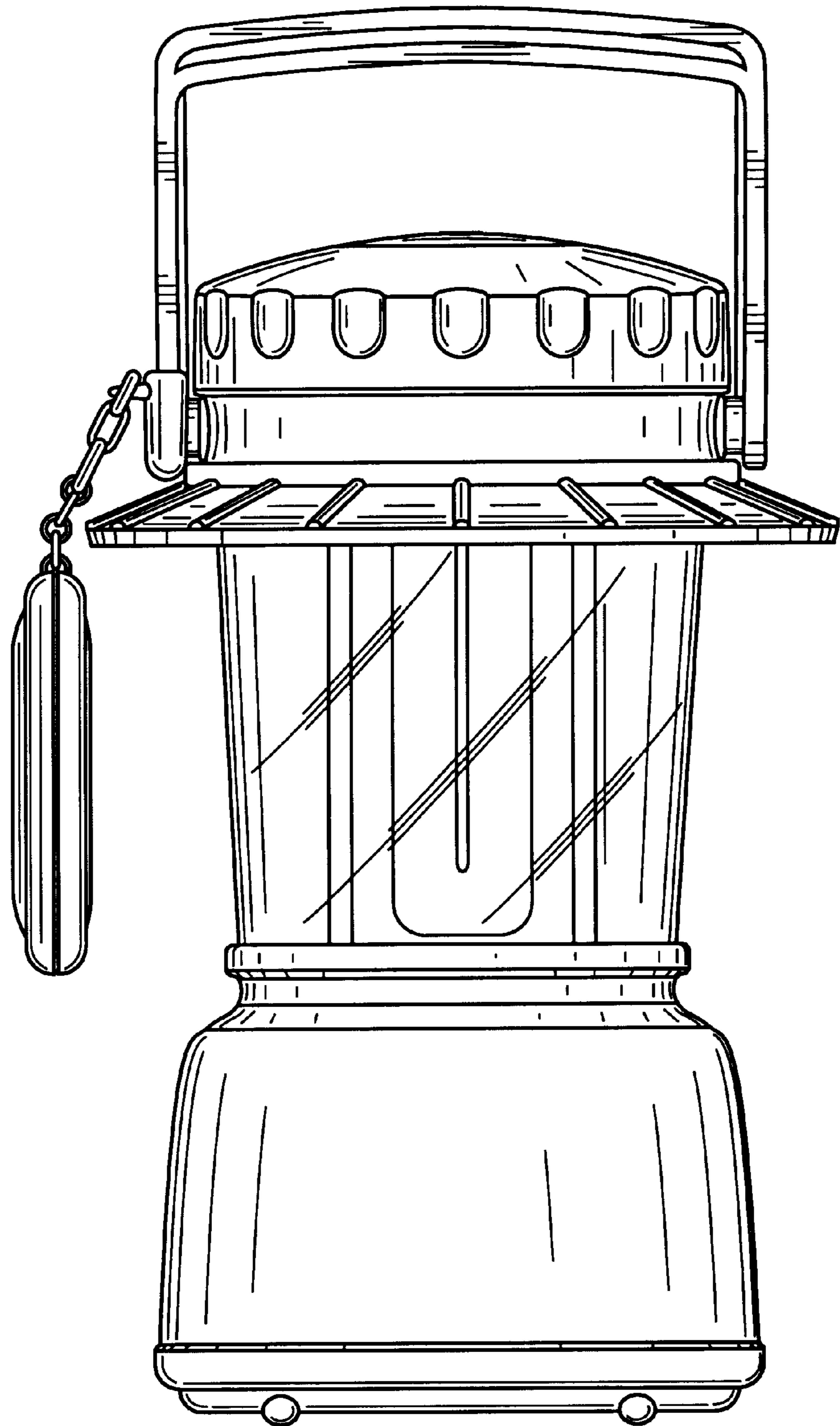
**FIG. 1**



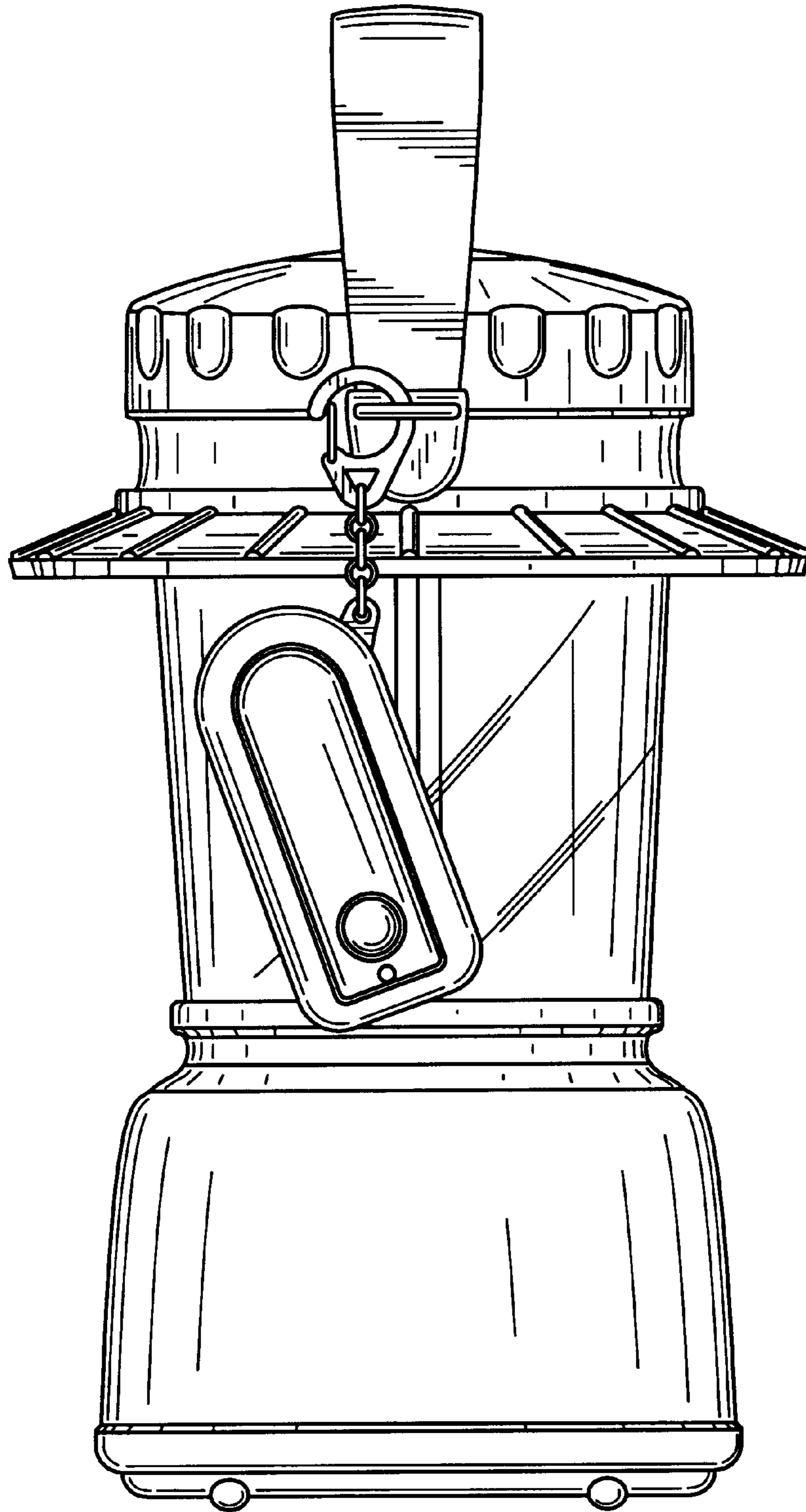
**FIG. 6**



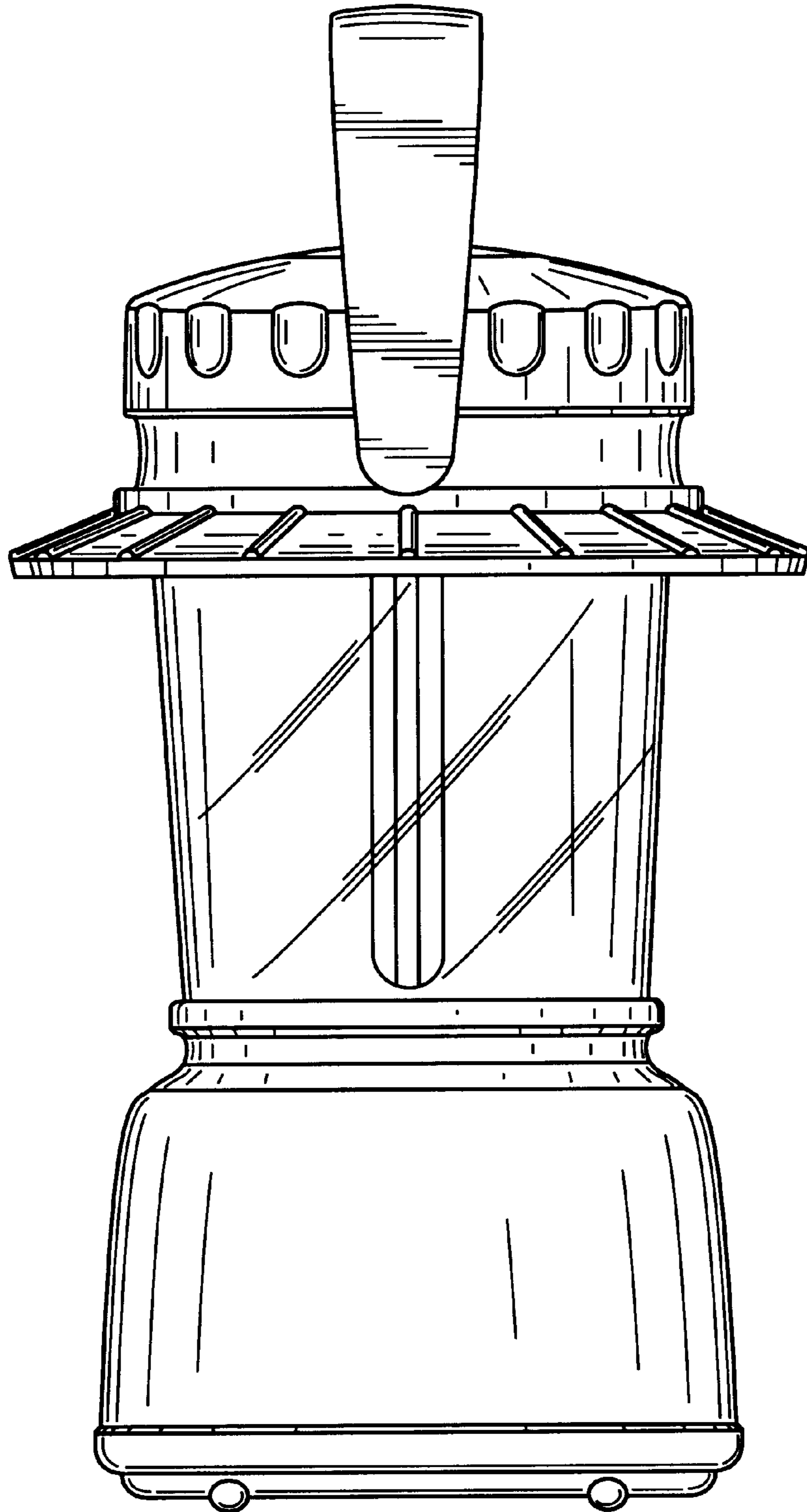
**FIG. 2**



**FIG. 3**



**FIG. 4**



**FIG. 5**