



US00D421659S

United States Patent [19] Lei

[11] **Patent Number: Des. 421,659**

[45] **Date of Patent: ** Mar. 14, 2000**

[54] **LANTERN WITH RADIO AND CLOCK**

D. 390,679 2/1998 Chang D26/38
D. 410,099 5/1999 Lam D26/38

[75] Inventor: **Wallace Lei**, Tsuen Wan, The Hong Kong Special Administrative Region of the People's Republic of China

Primary Examiner—Susan J. Lucas
Attorney, Agent, or Firm—Burns, Doane, Swecker & Mathis, L.L.P.

[73] Assignee: **Lomak Industrial Co., Ltd.**, The Hong Kong Special Administrative Region of the People's Republic of China

[57] **CLAIM**

The ornamental design for a lantern with radio and clock, as shown and described.

[**] Term: **14 Years**

DESCRIPTION

[21] Appl. No.: **29/104,412**

FIG. 1 is a perspective view showing my new design for a "lantern with radio and clock";
FIG. 2 is a perspective view in an alternate configuration thereof;
FIG. 3 is a front view thereof;
FIG. 4 is a rear view thereof;
FIG. 5 is a left side elevational view thereof;
FIG. 6 is a right side elevational view thereof;
FIG. 7 is a top plan view thereof; and,
FIG. 8 is a bottom view thereof.

[22] Filed: **May 4, 1999**

[51] **LOC (6) Cl. 26-02**

[52] **U.S. Cl. D26/38**

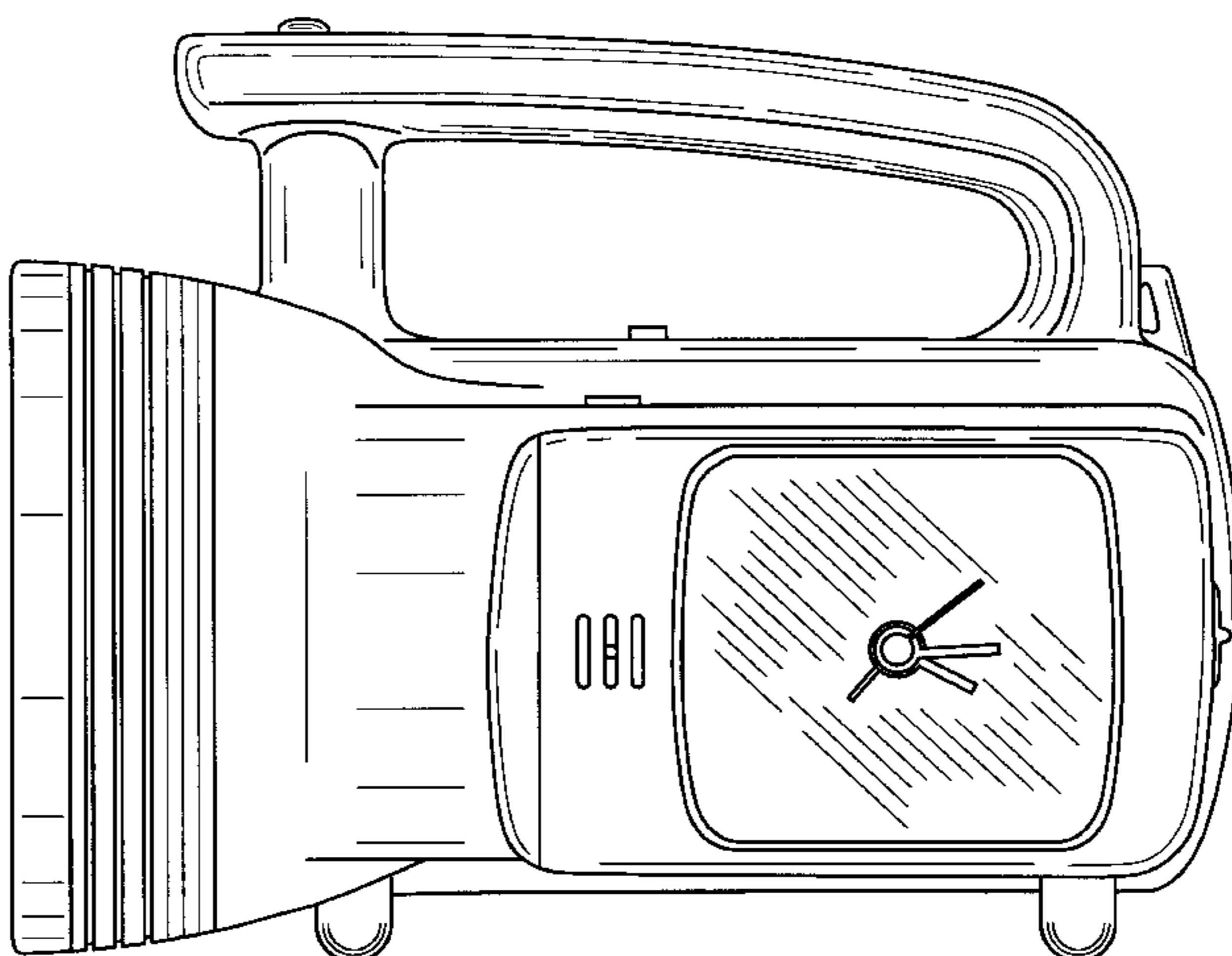
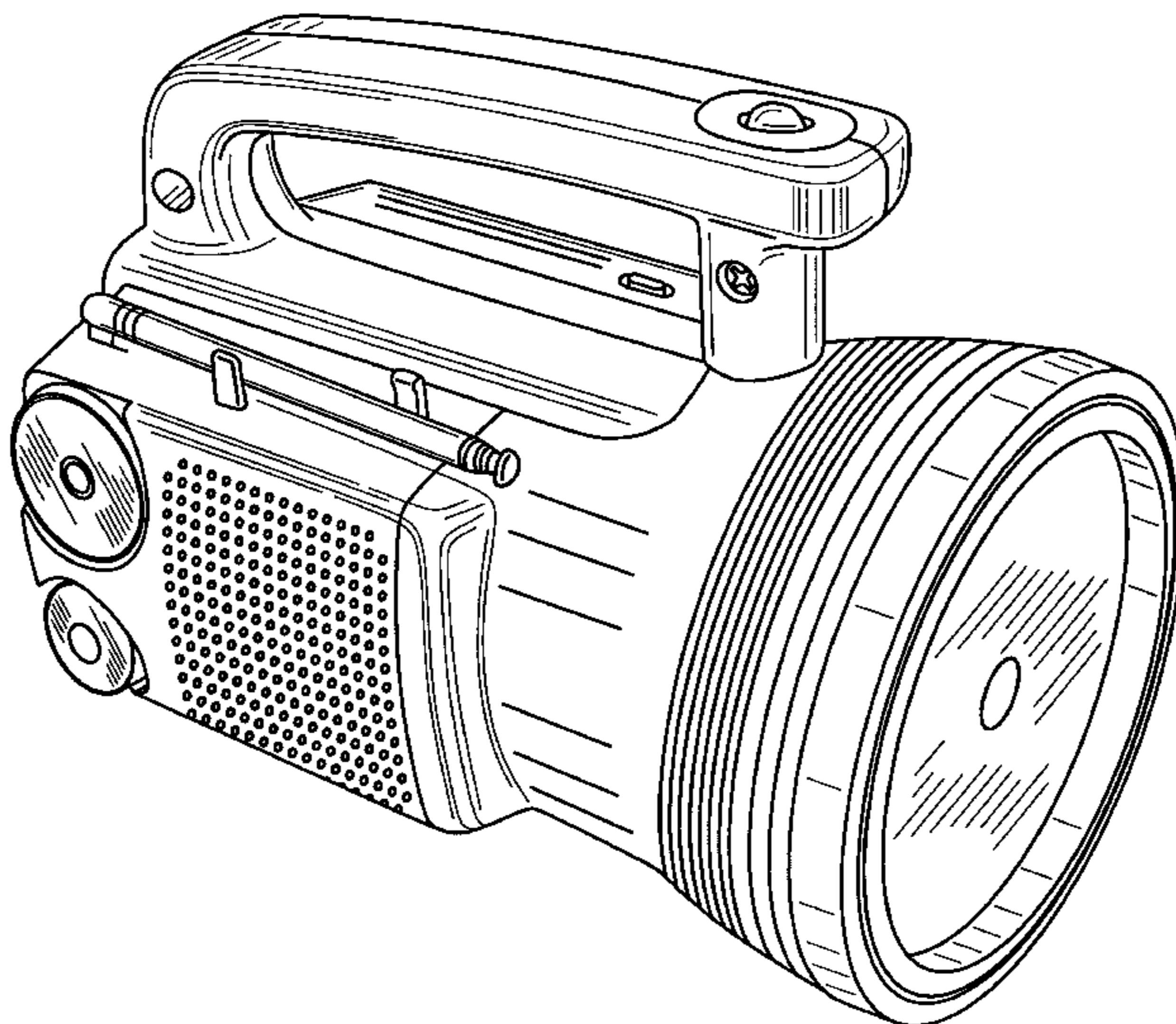
[58] **Field of Search D26/37-50; 362/86, 362/87, 183-208**

[56] **References Cited**

U.S. PATENT DOCUMENTS

D. 303,294 9/1989 Yurkovic D26/38

1 Claim, 8 Drawing Sheets



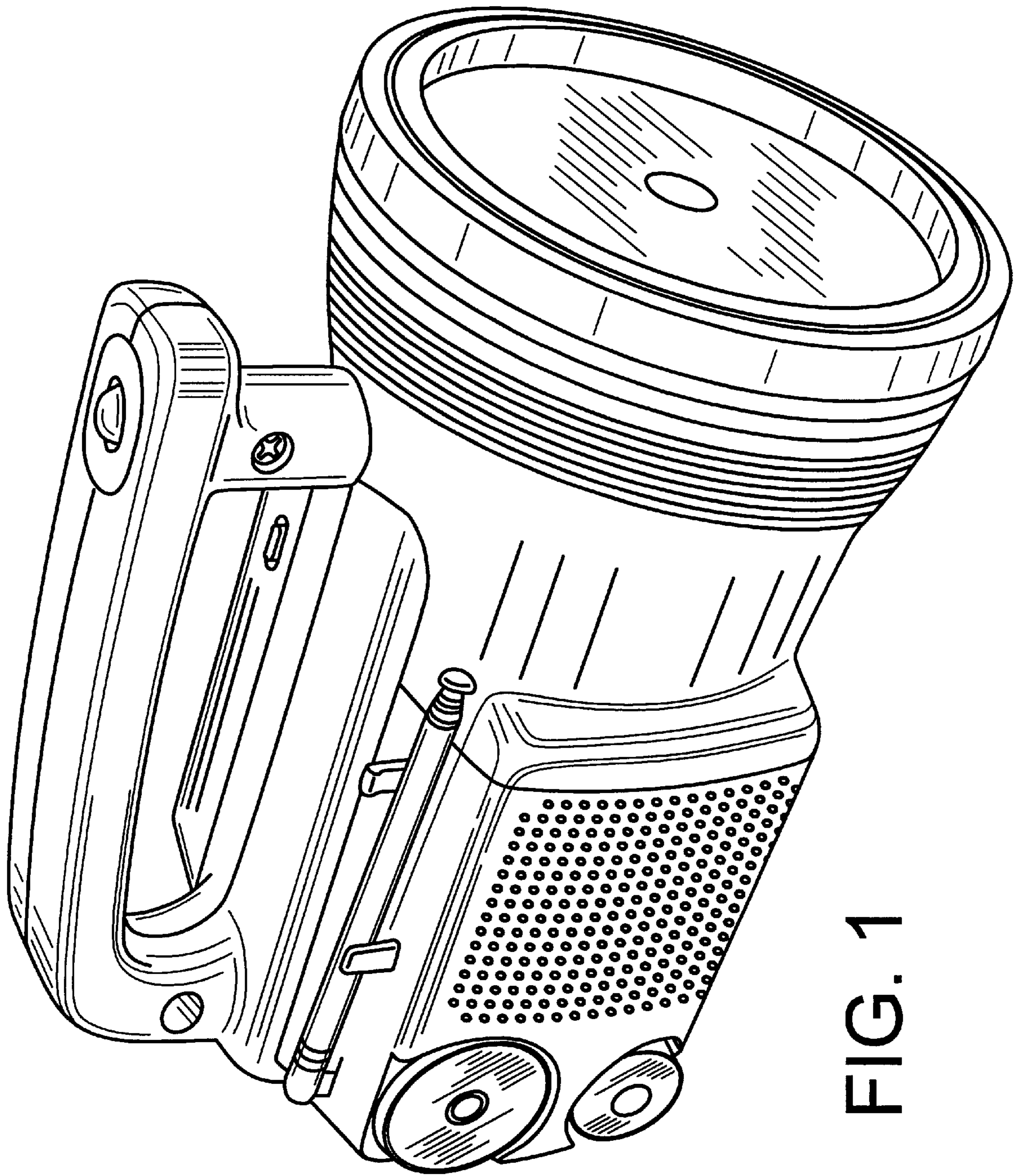


FIG. 1

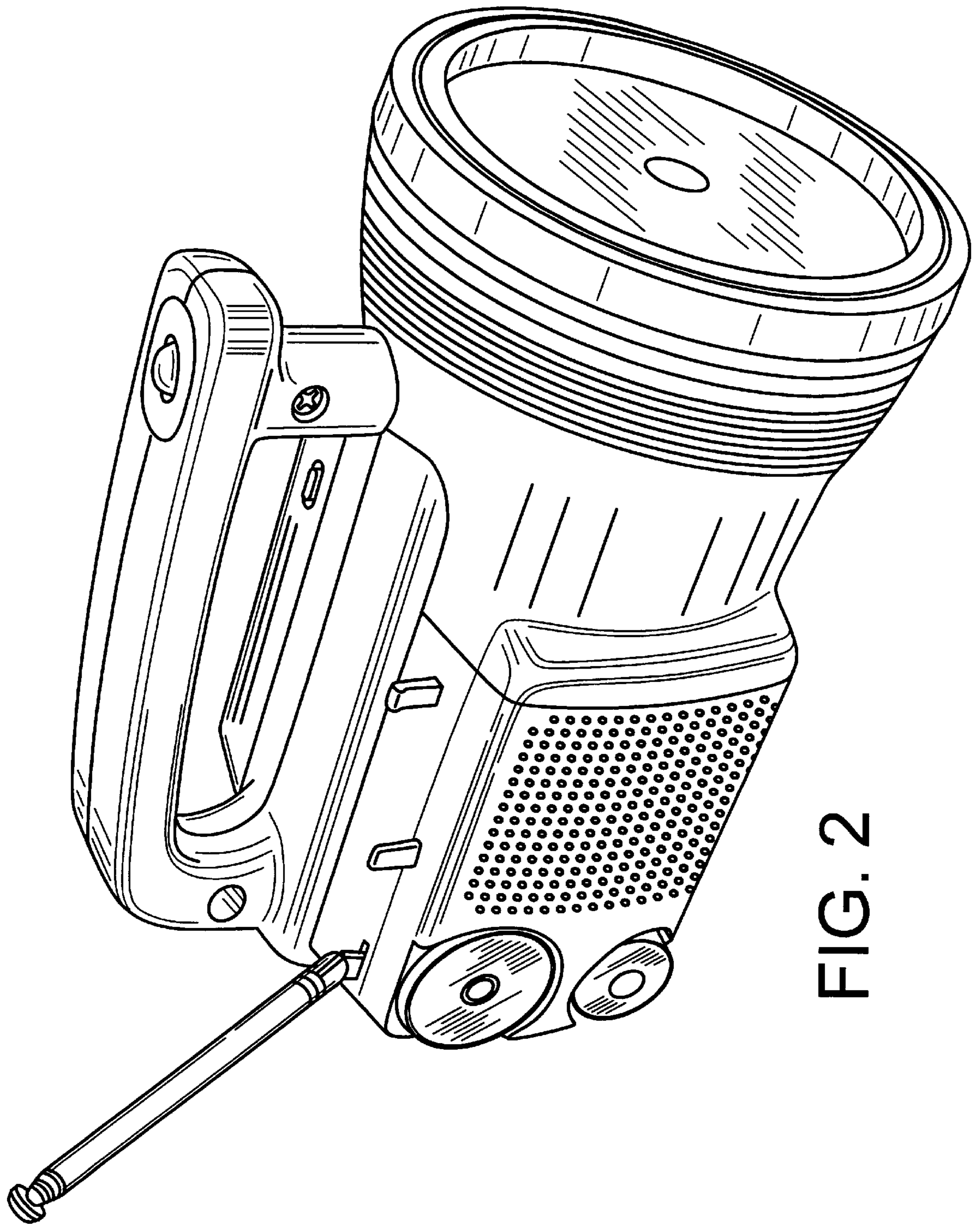


FIG. 2

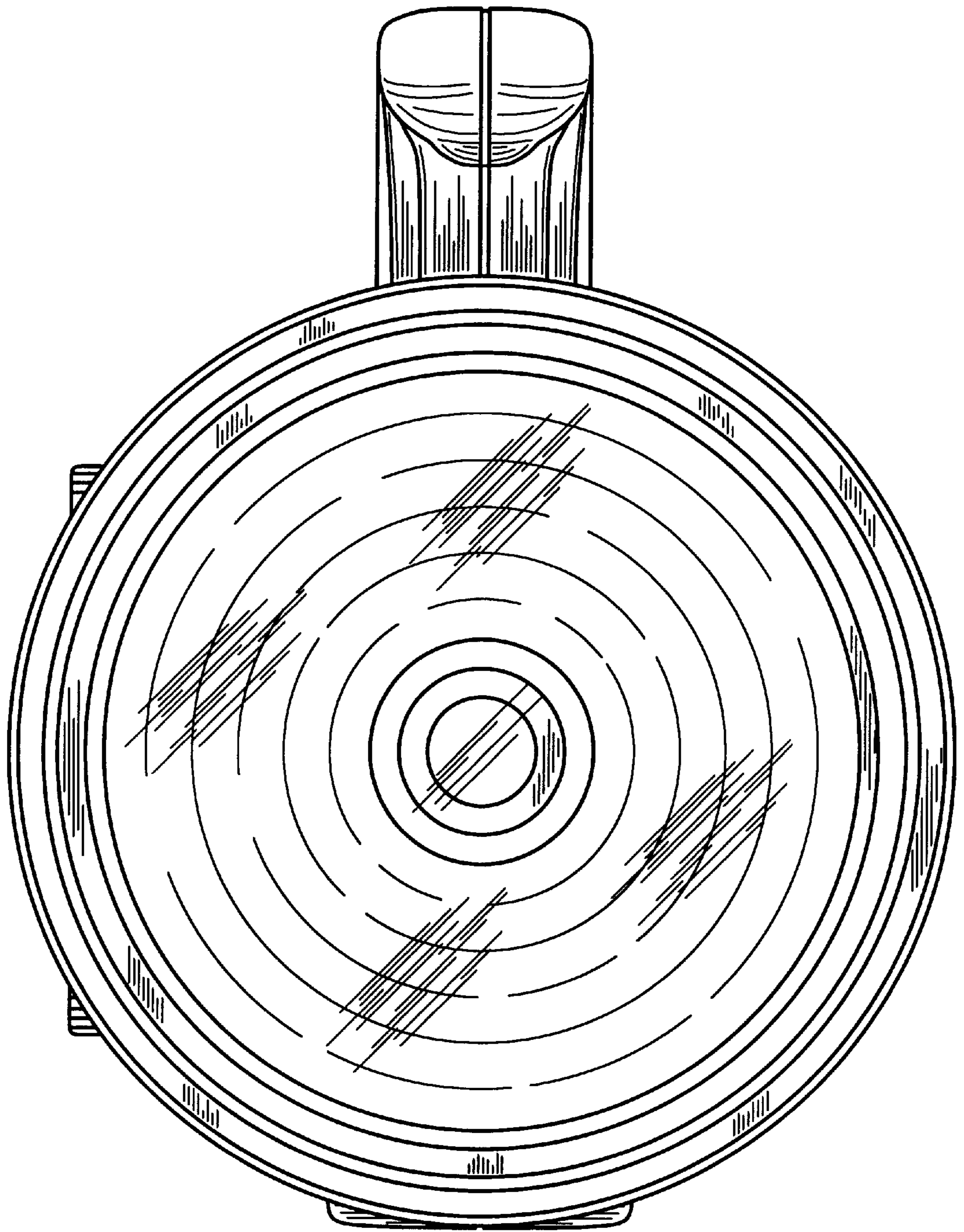


FIG. 3

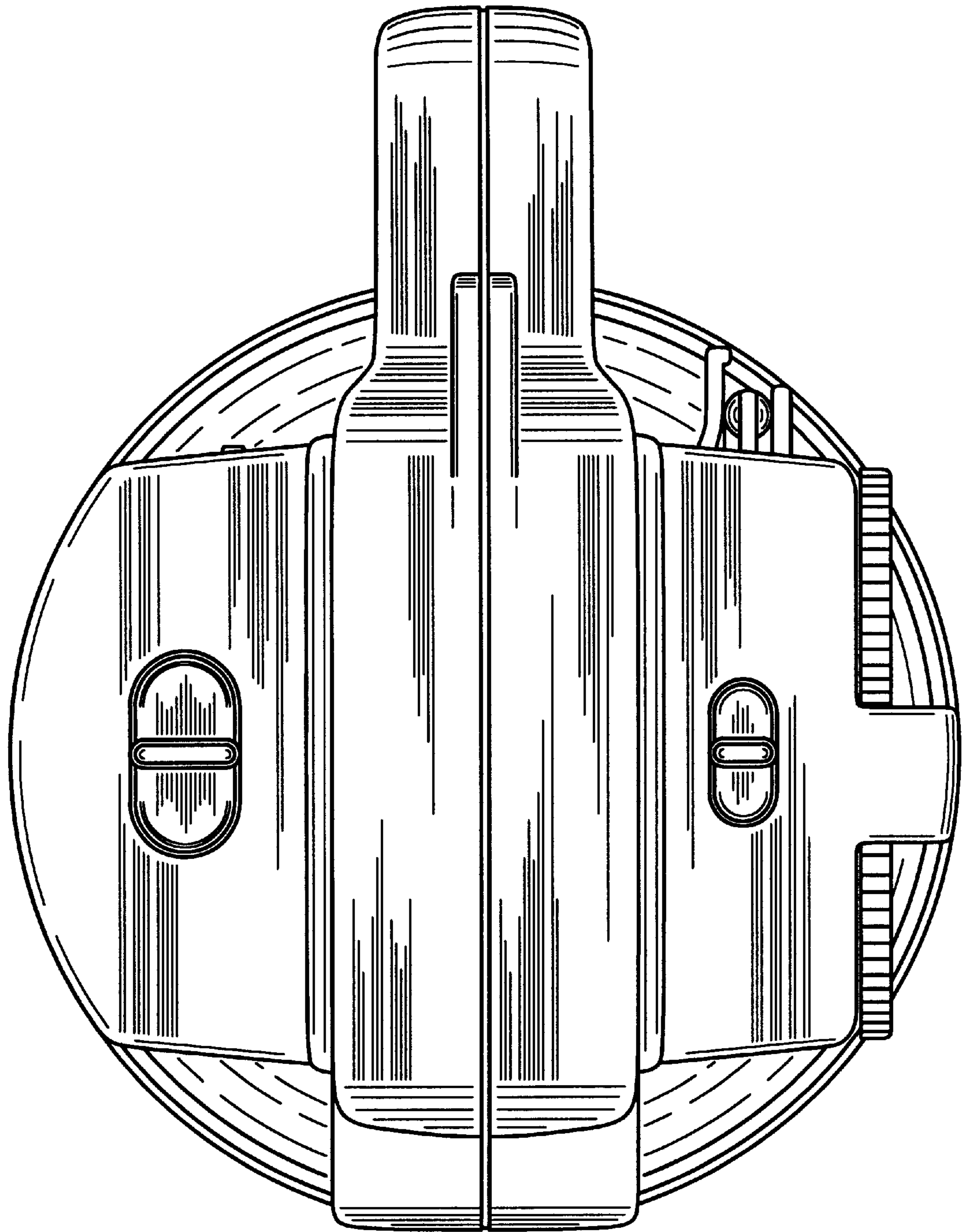


FIG. 4

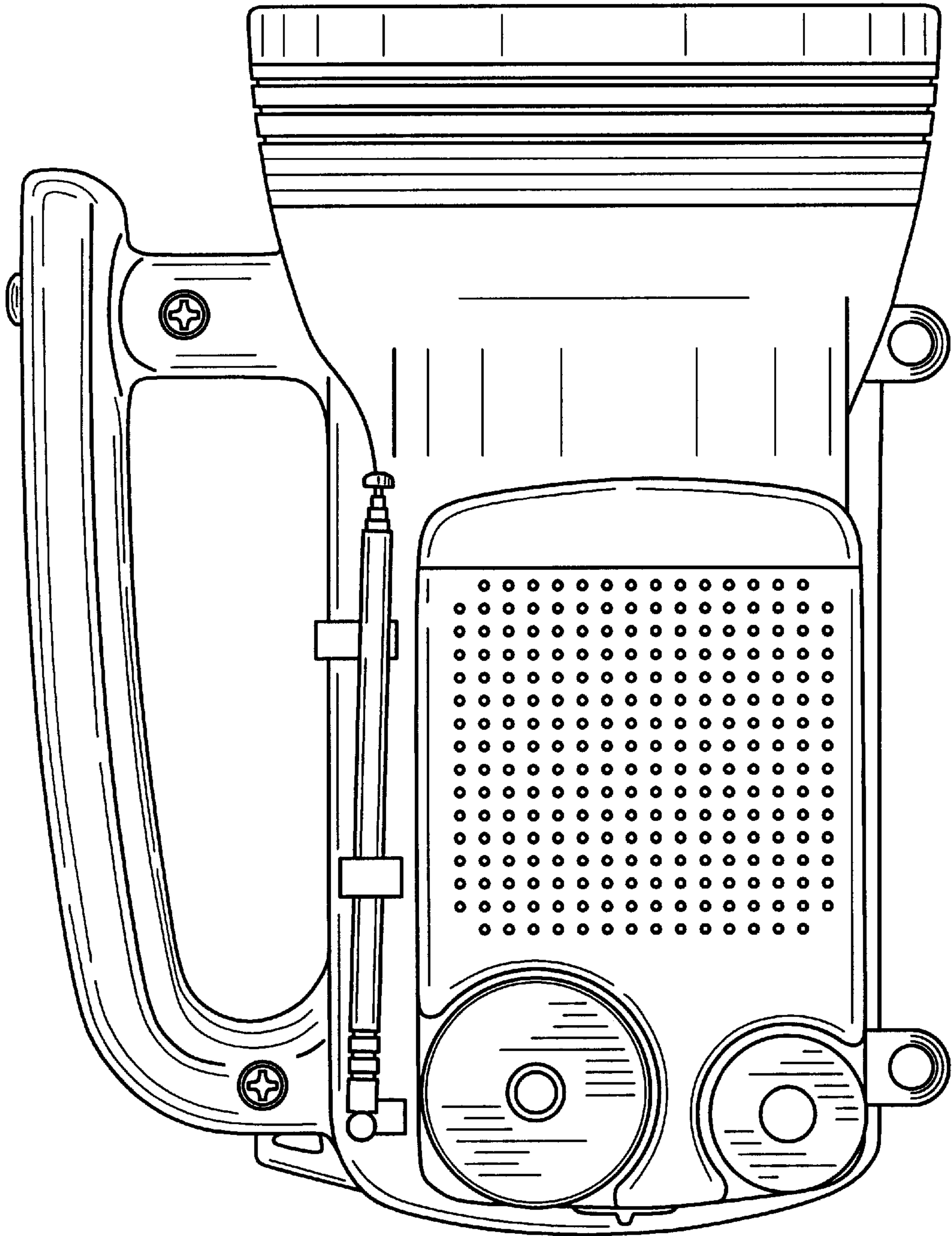


FIG. 5

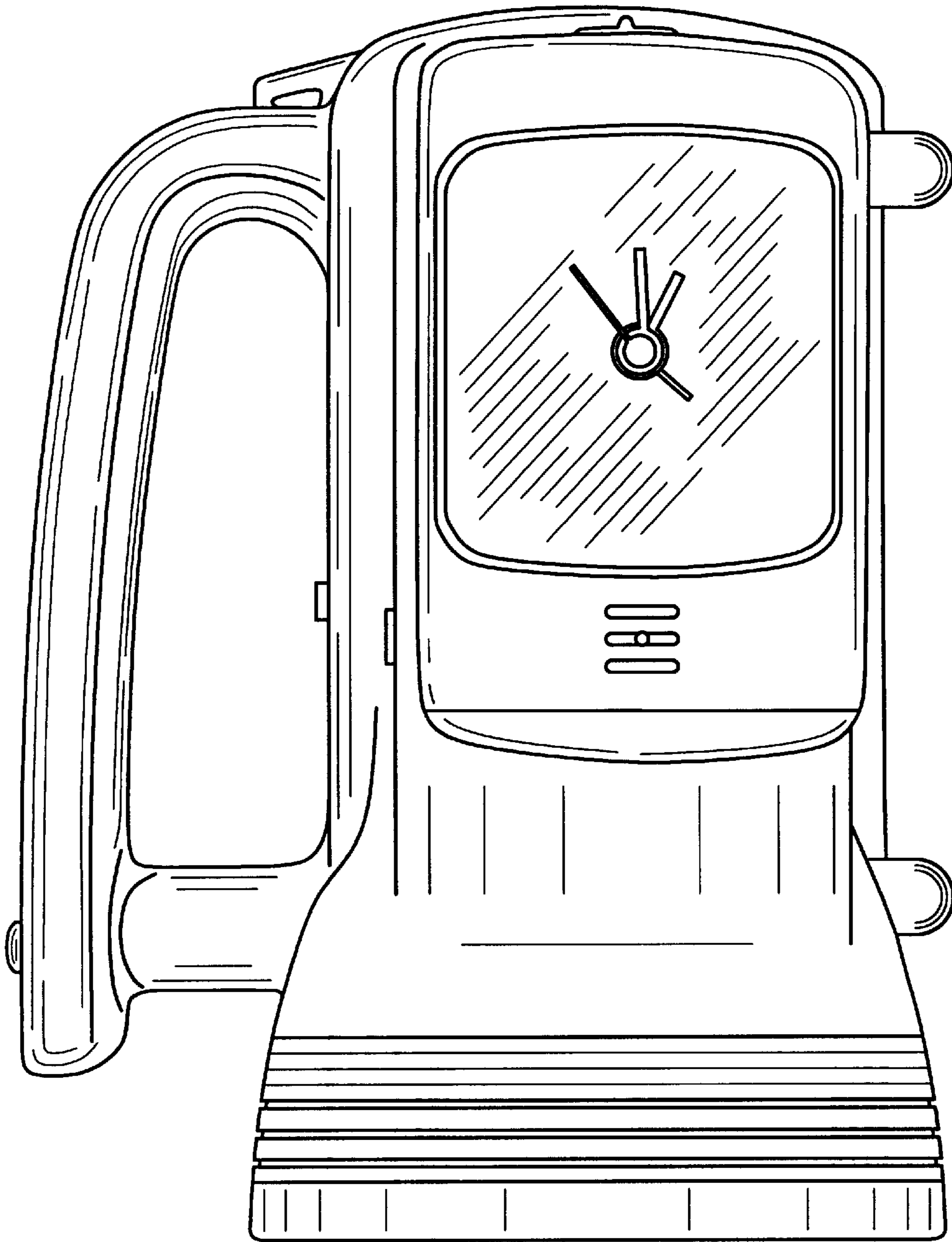


FIG. 6

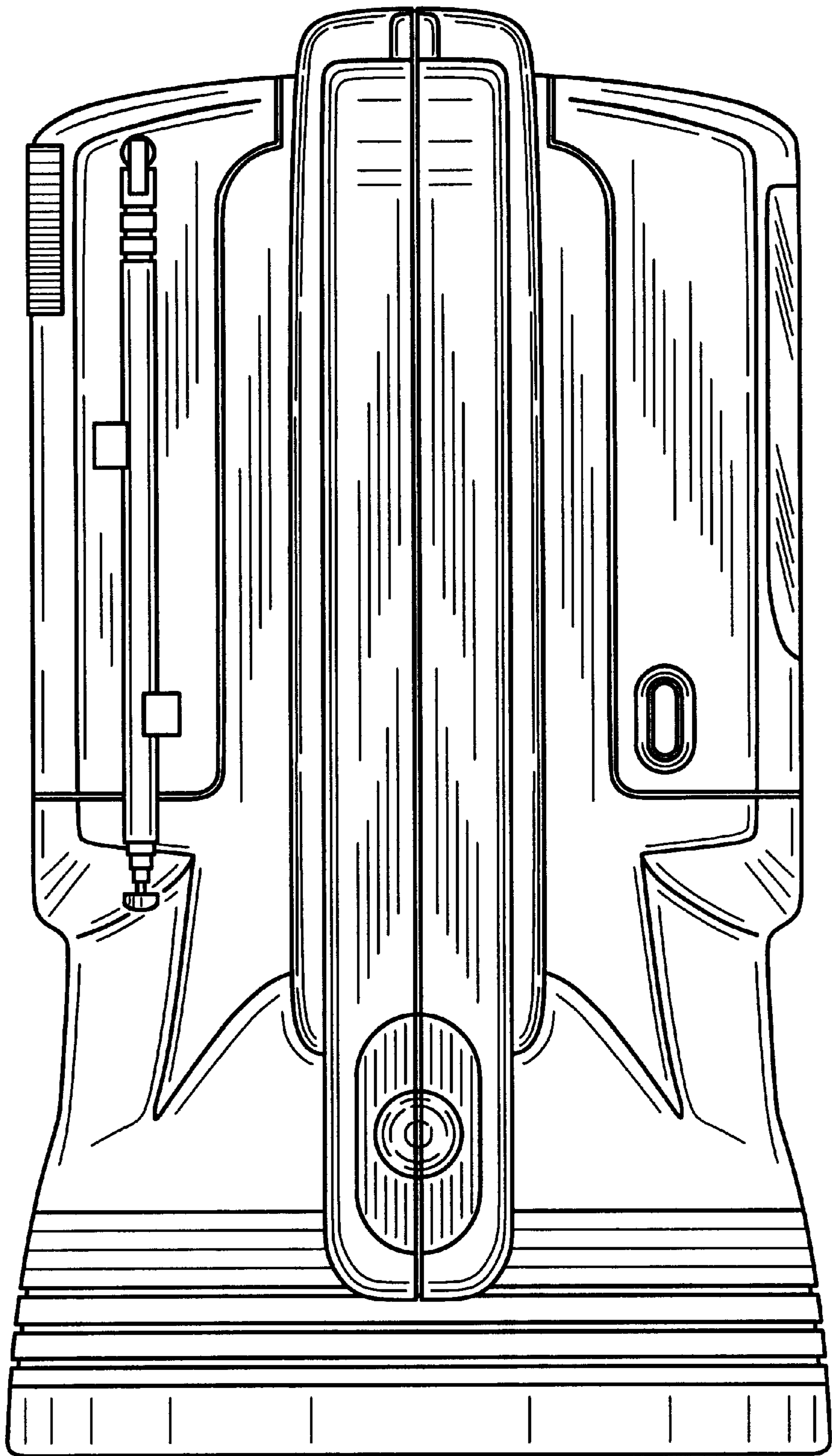


FIG. 7

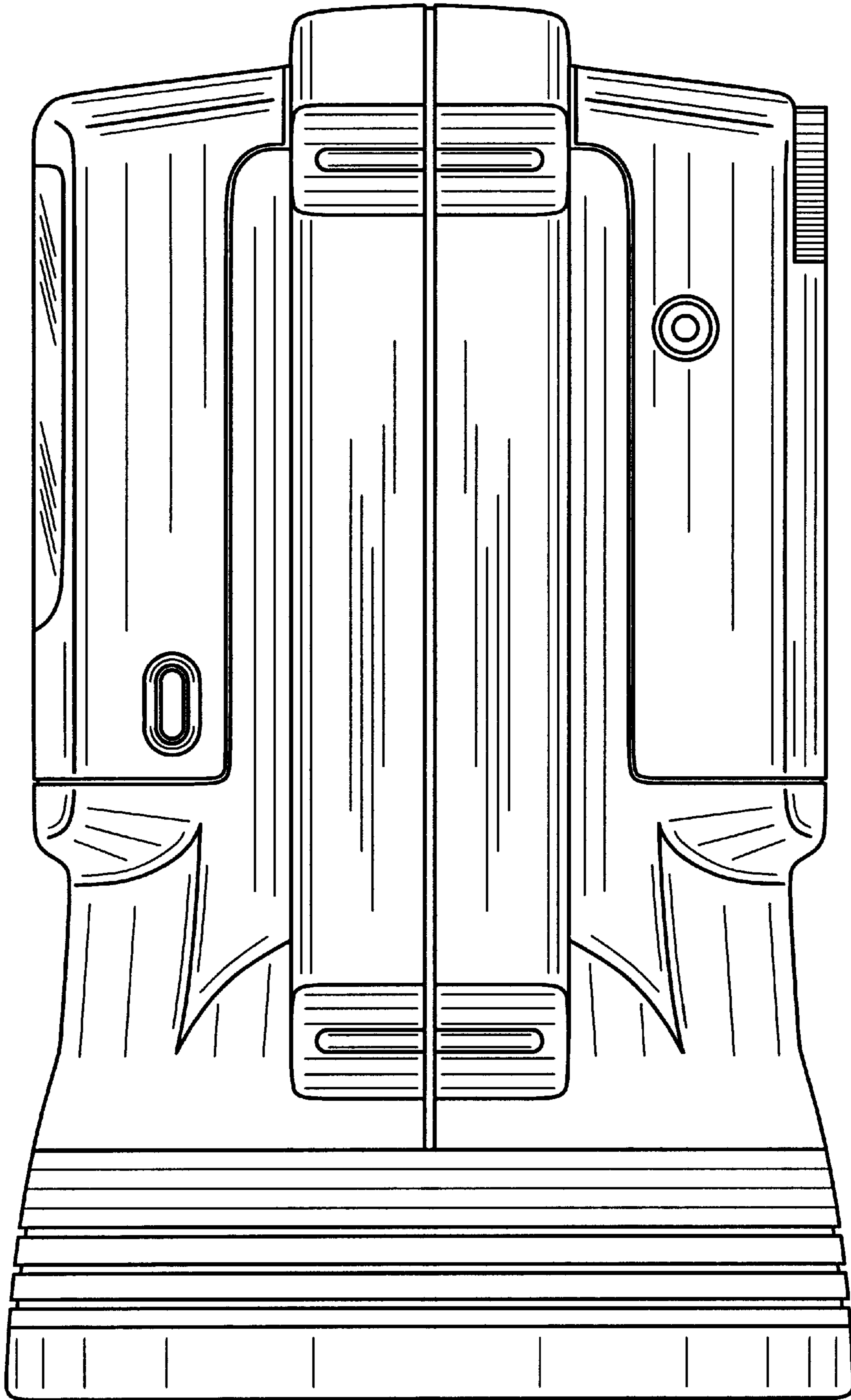


FIG. 8