



US00D421656S

United States Patent [19]
Batterman-Jordan

[11] **Patent Number: Des. 421,656**
[45] **Date of Patent: ** Mar. 14, 2000**

[54] **CANDLE HOLDER W/CHANGEABLE
TRANSLUCENT GLASS PLATES**

[75] Inventor: **Christie Batterman-Jordan**, San
Leandro, Calif.

[73] Assignee: **Lindsay/Barnett, Inc.**, San Leandro,
Calif.

[**] Term: **14 Years**

[21] Appl. No.: **29/097,468**

[22] Filed: **Dec. 7, 1998**

[51] **LOC (6) Cl. 26-01**

[52] **U.S. Cl. D26/10**

[58] **Field of Search** D26/9, 10, 11,
D26/12, 13, 21, 22; 431/291-296, 125,
126; D6/300; D20/19

[56] **References Cited**

U.S. PATENT DOCUMENTS

D. 61,551	10/1922	Sturdivant	D26/9
D. 83,885	7/1931	Winchester	D26/10
D. 98,549	2/1936	Sharp	D6/300
D. 207,413	4/1967	Gardner	D26/10
D. 396,309	7/1998	Churchville et al.	D26/10
5,264,995	11/1993	McKee	D26/11

OTHER PUBLICATIONS

American Homestyle and Gardening; item #1 Mirrored
Applique sconce; p. 160, Dec. 1995.

Primary Examiner—Robin V. Taylor
Attorney, Agent, or Firm—H. Michael Brucker

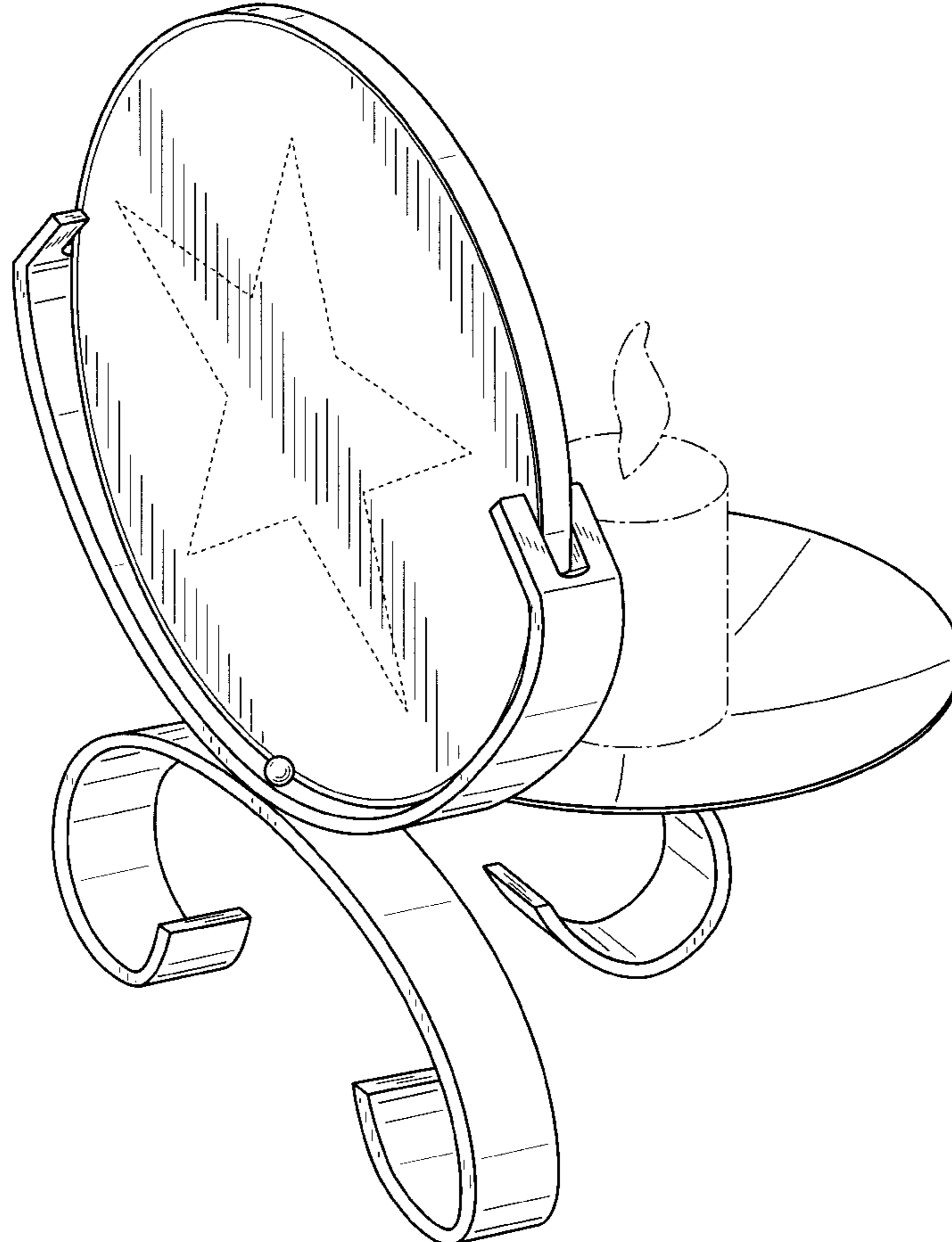
[57] **CLAIM**

The ornamental design for a candle holder w/changeable
translucent glass plates, as shown and described.

DESCRIPTION

FIG. 1 is an upper, left, front perspective view at a reduced
scale of a candle holder w/changeable translucent glass
plates showing my new design;
FIG. 2 is an exploded perspective view at a reduced scale;
FIG. 3 is an upper, right, rear perspective view at a reduced
scale;
FIG. 4 is a front elevational view;
FIG. 5 is a right side elevational view, the left side ia a
morror image thereof;
FIG. 6 is a rear elevational view;
FIG. 7 is a top plan view; and,
FIG. 8 is a bottom plan view.
The broken line showing in FIGS. 1 and 2 is for illustrative
purposes only and forms no part of the claimed design.

1 Claim, 8 Drawing Sheets



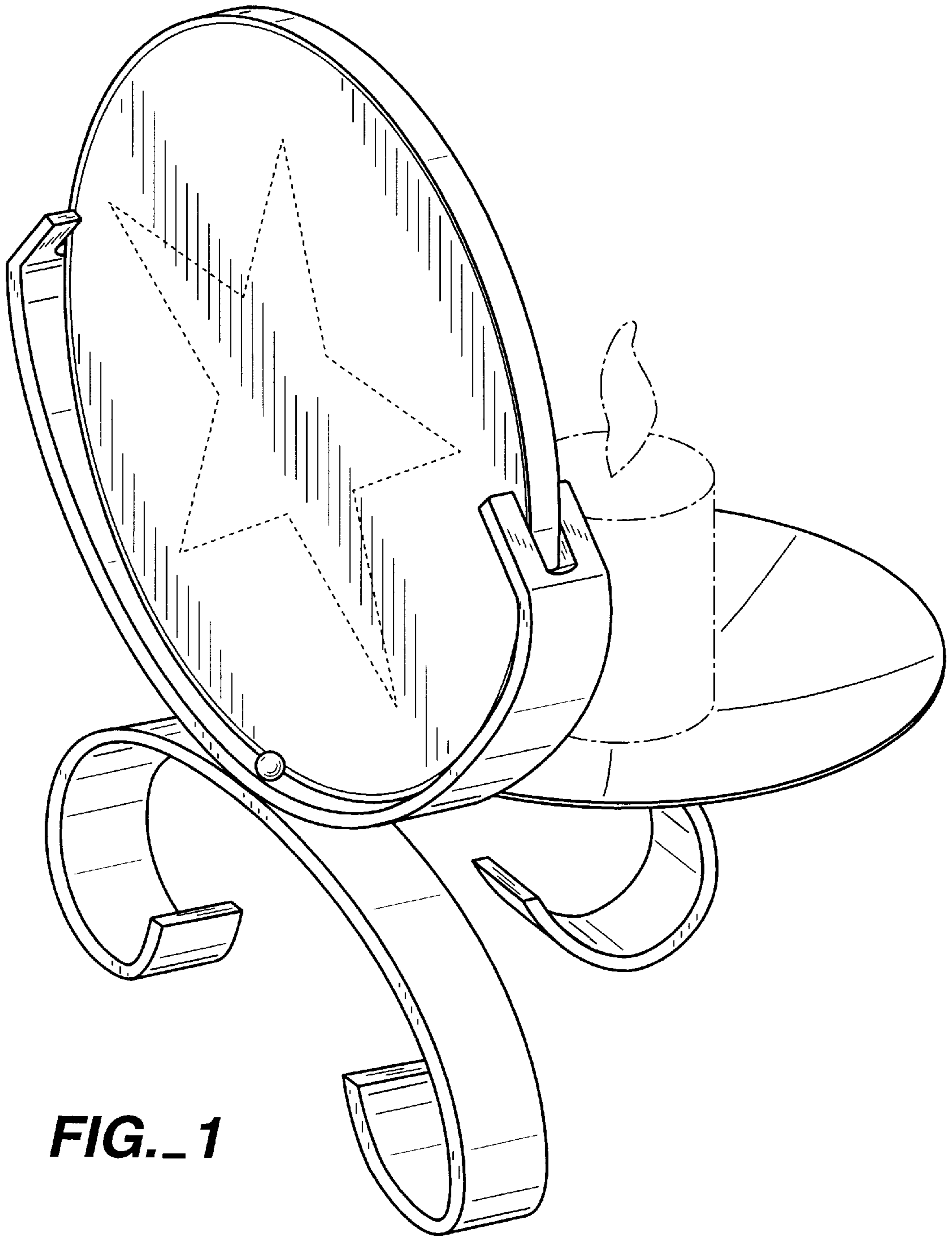


FIG. 1

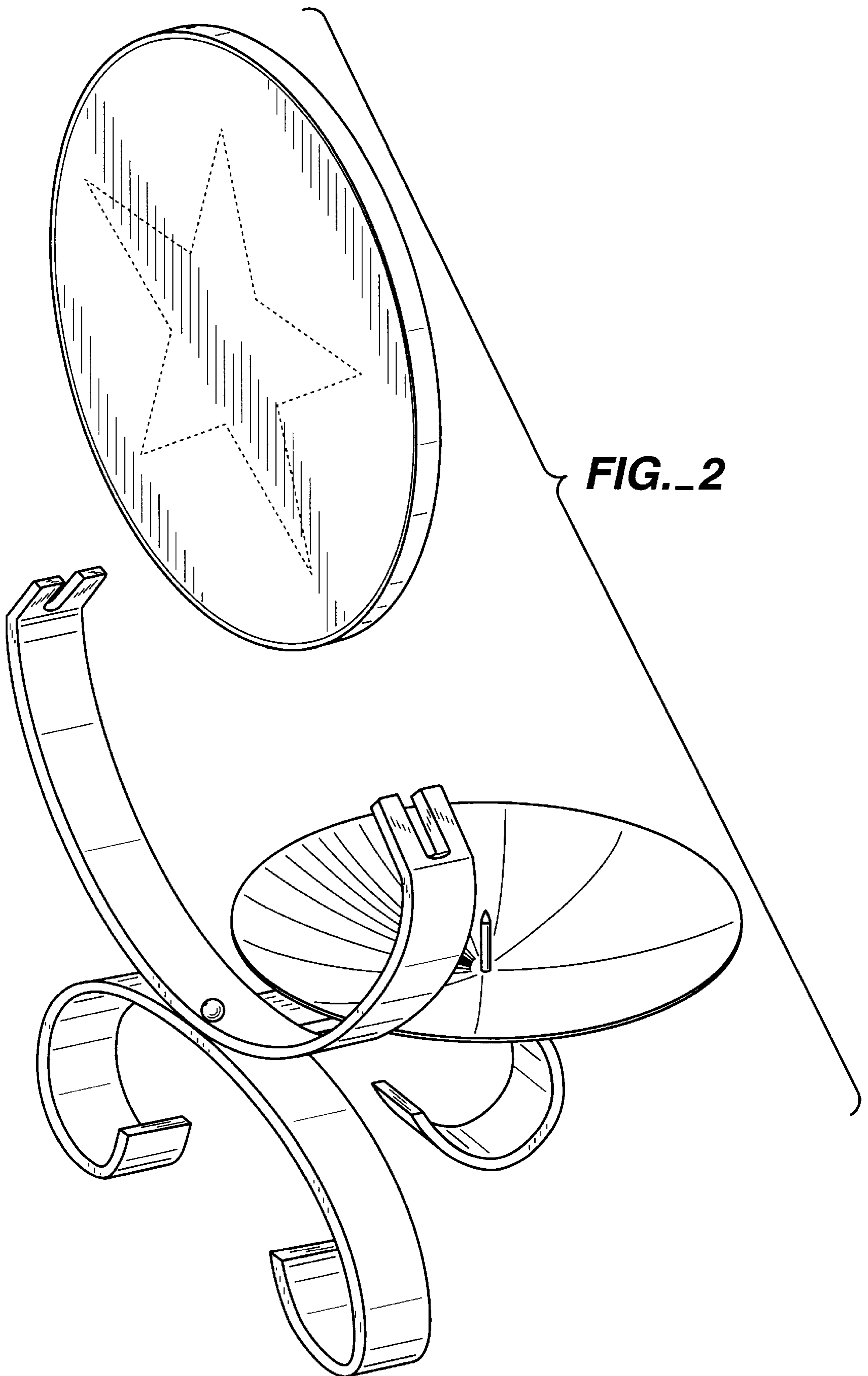
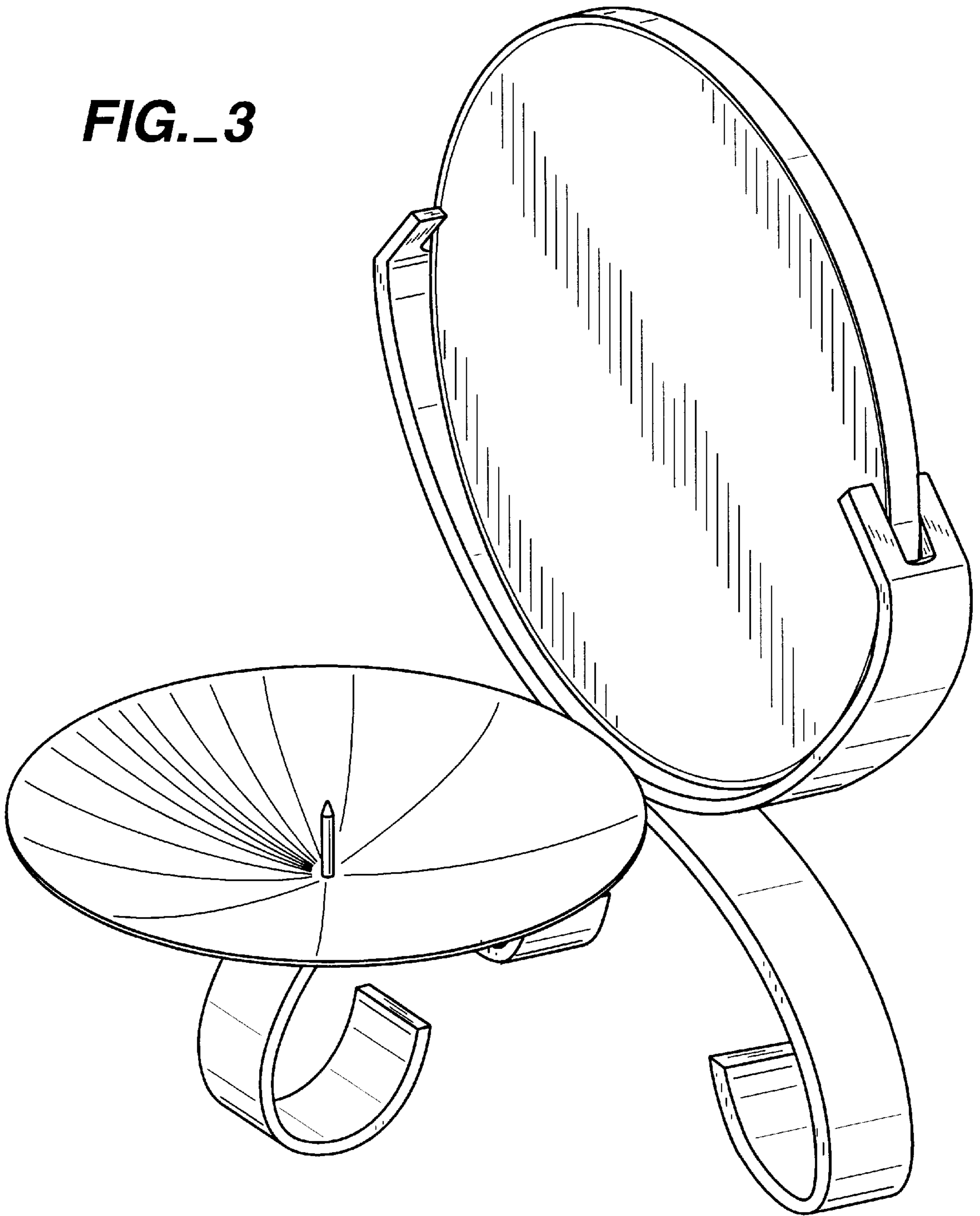


FIG. 3



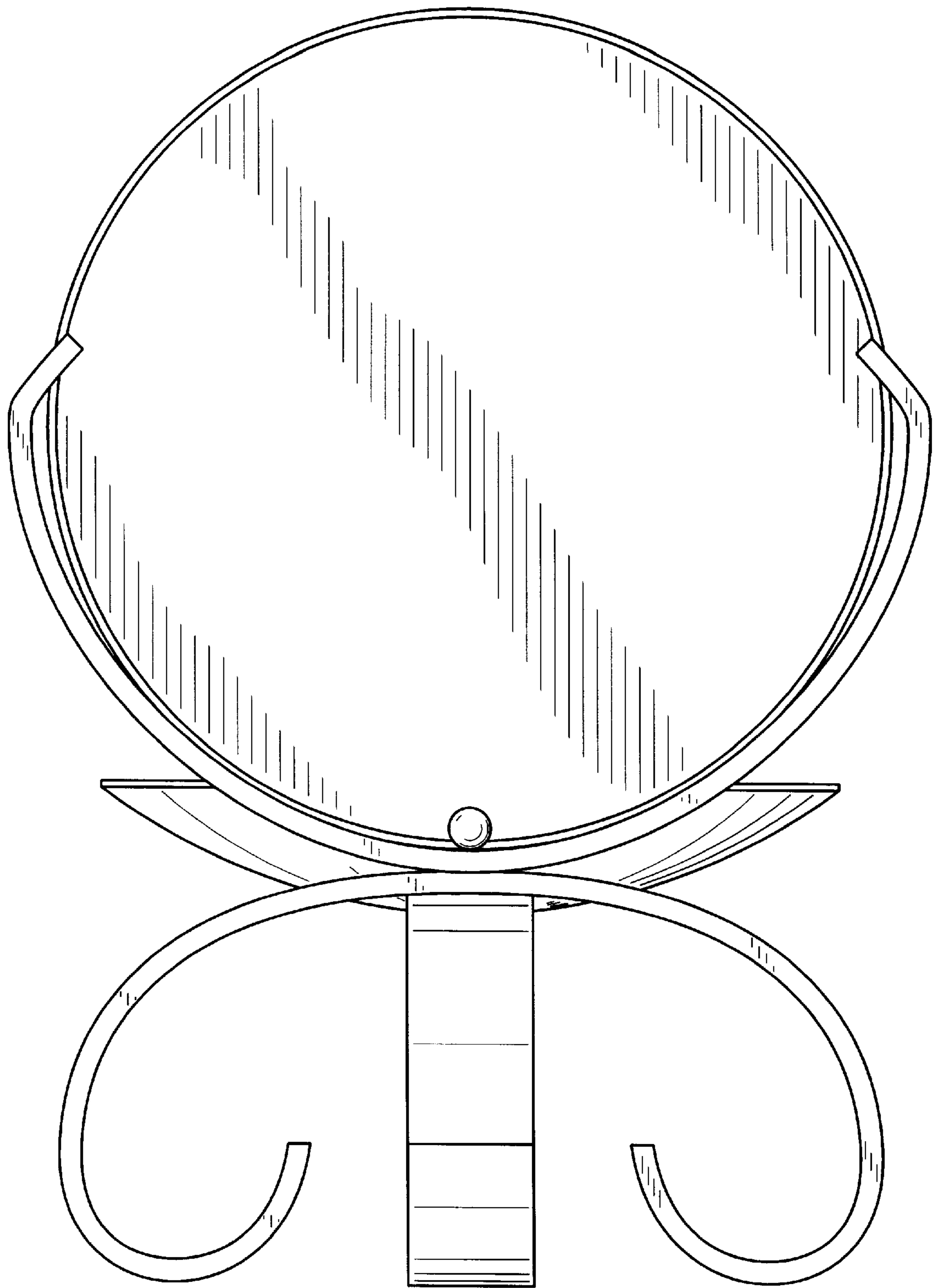


FIG. 4

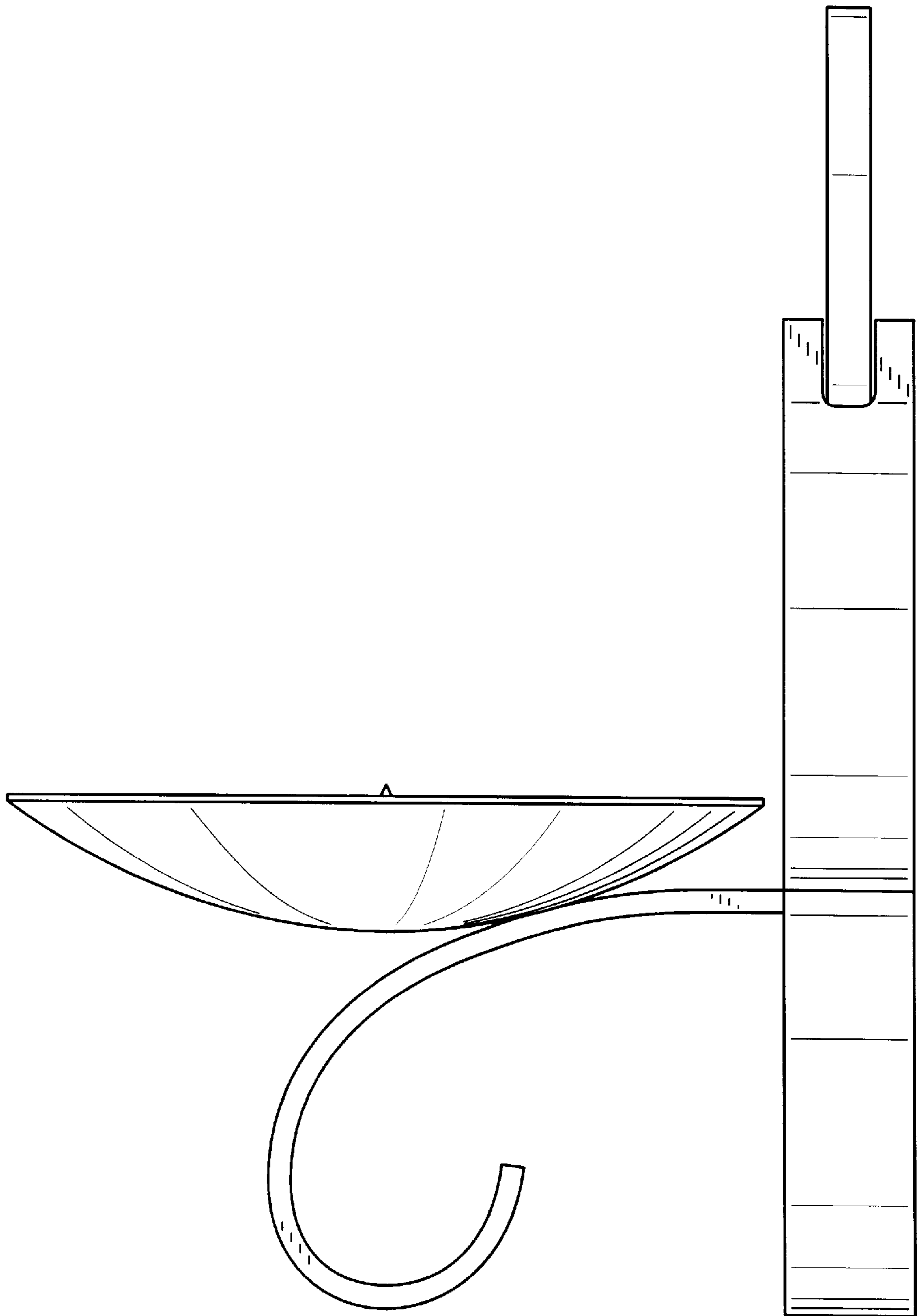


FIG._5

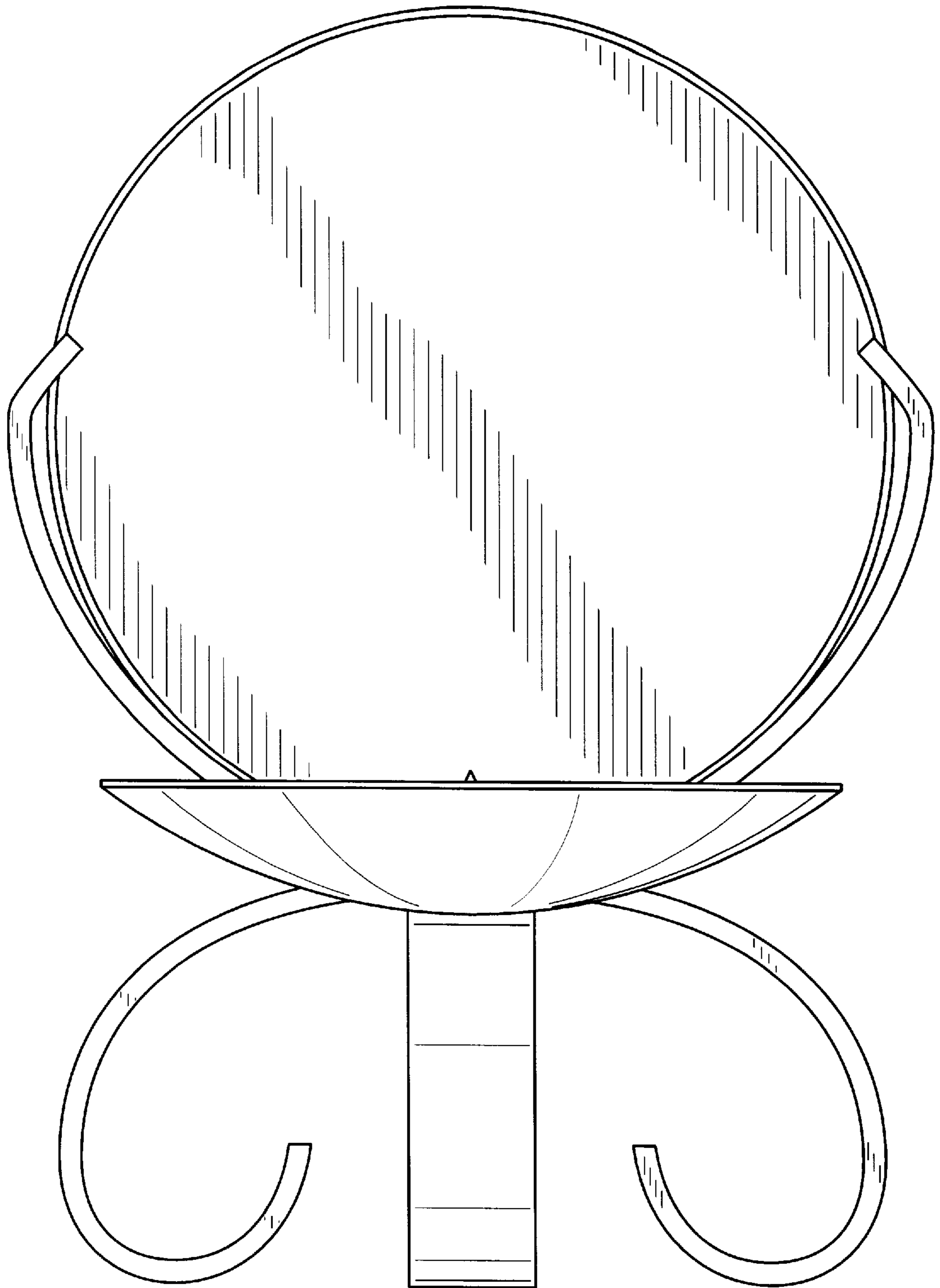


FIG. 6

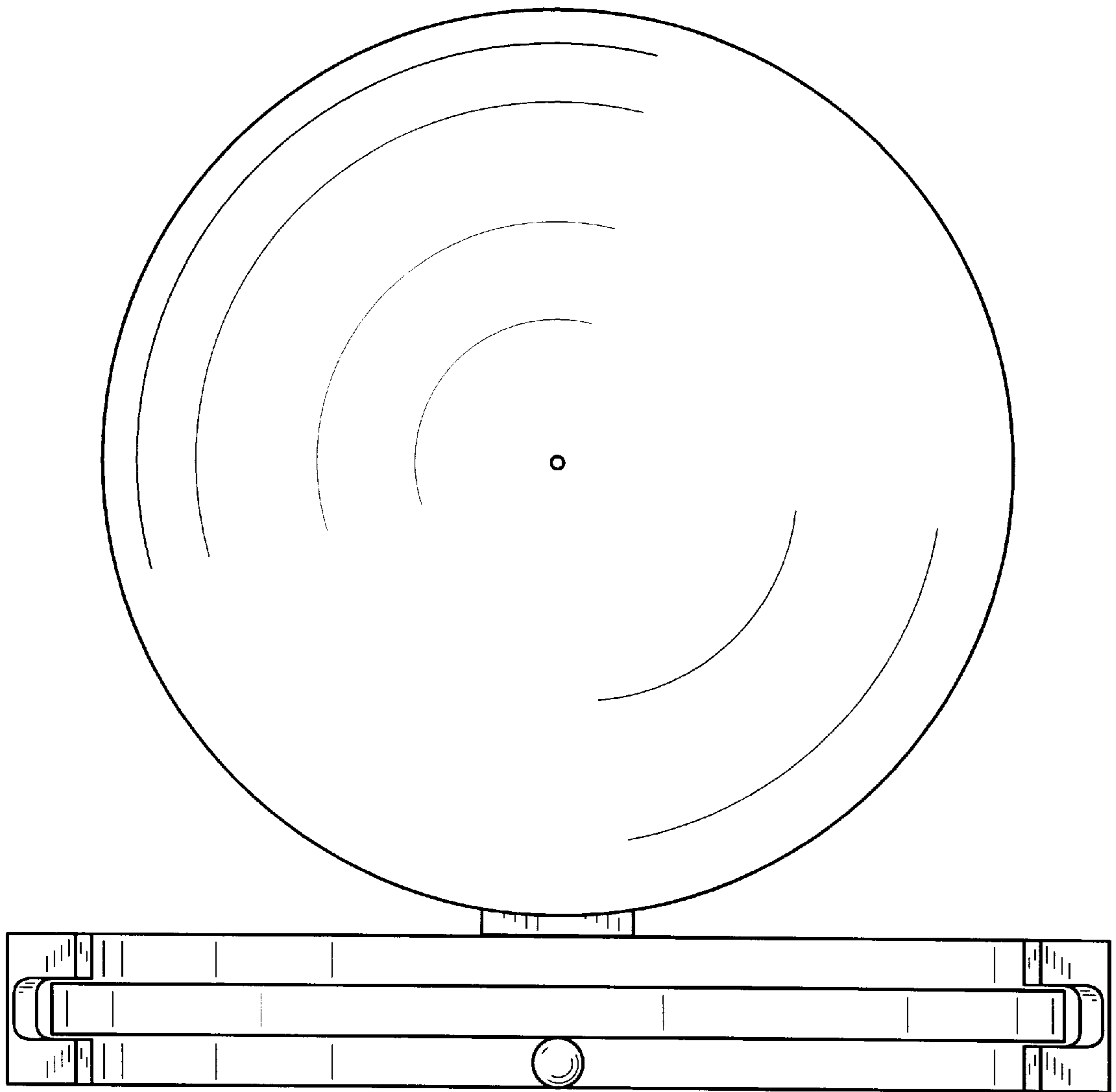


FIG. 7

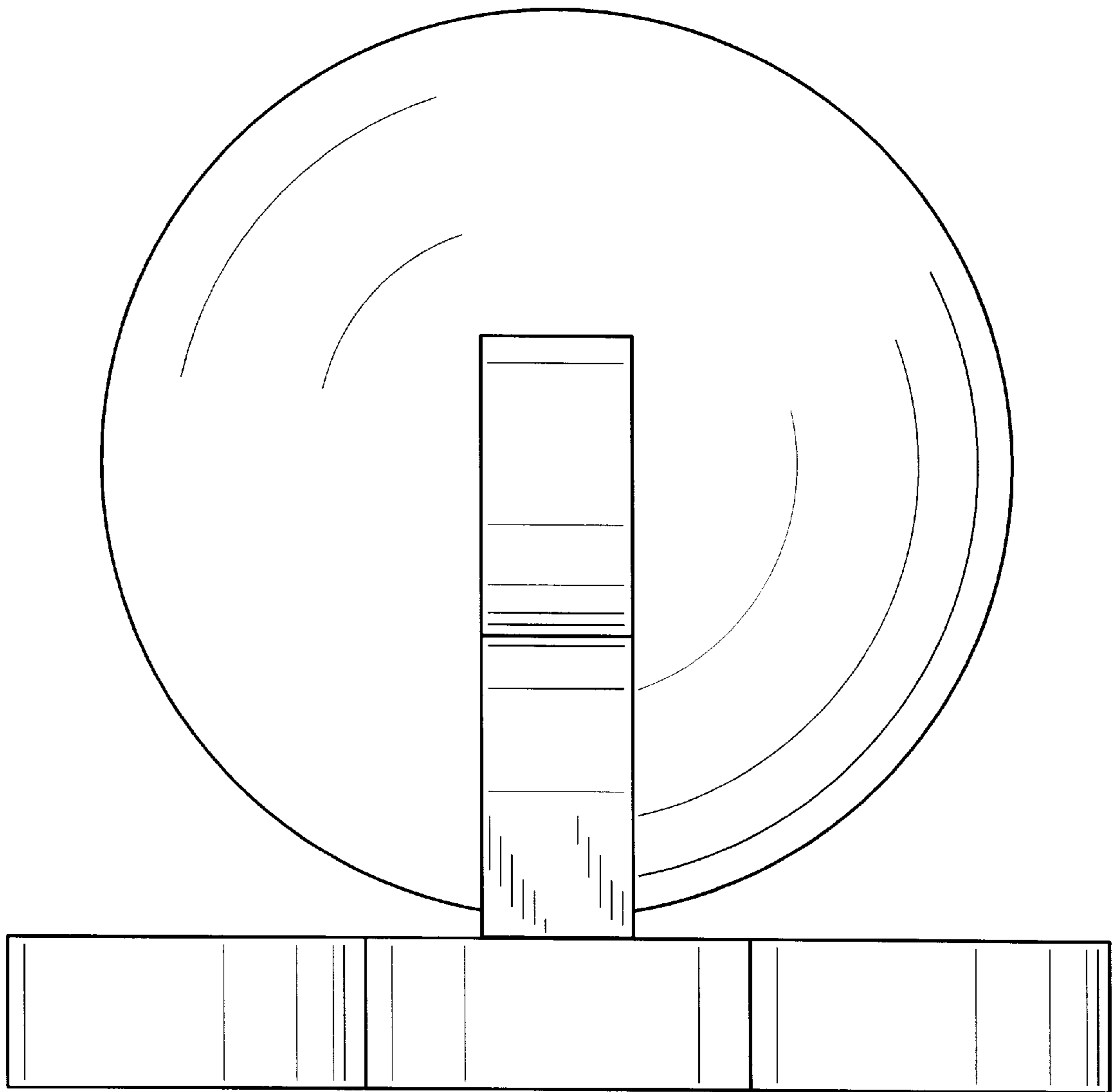


FIG. 8