



US00D421655S

# United States Patent [19]

[11] **Patent Number: Des. 421,655**

**Daugherty et al.**

[45] **Date of Patent: \*\* Mar. 14, 2000**

[54] **FLANGED SUPPORT POST INTERFACING WITH SIDE PANEL INSERT**

[75] Inventors: **Jonathan M. Daugherty**, Wilkes-Barre; **Kenneth A. Stevens**, Harleysville, both of Pa.

[73] Assignee: **Metro Industries, Inc.**, Reno, Nev.

[\*\*] Term: **14 Years**

[21] Appl. No.: **29/090,385**

[22] Filed: **Jul. 7, 1998**

### Related U.S. Application Data

[62] Division of application No. 29/038,185, Apr. 28, 1995, Pat. No. Des. 407,161.

[51] **LOC (6) Cl.** ..... **25-01**

[52] **U.S. Cl.** ..... **D25/128**

[58] **Field of Search** ..... D25/128, 126, D25/131, 132; 52/280, 282.2, 282.3, 732.2; 312/265.1, 265.2, 265.3, 265.4, 265.5, 265.6, 249.8, 249.1, 295.2; 108/50, 153, 180, 182, 186, 193, 144; 248/245.1; 211/183, 191; 403/252

### [56] References Cited

#### U.S. PATENT DOCUMENTS

D. 361,631	8/1995	King	.....	D25/128
3,186,561	6/1965	Strassle	.....	52/282.2
3,462,110	8/1969	Cheslock	.....	248/221
3,486,287	12/1969	Covillon	.....	D25/128
3,523,508	8/1970	Maslow	.....	108/144
3,896,743	7/1975	Pariante	.....	108/111
4,021,973	5/1977	Hegg et al.	.....	52/761
4,142,343	3/1979	Trafton	.....	52/721
4,163,537	8/1979	Mourgue	.....	248/188.1
4,805,365	2/1989	Bastian	.....	52/282.2
4,981,002	1/1991	Cederholm	.....	52/282.2
5,003,741	4/1991	Yeh	.....	52/280

5,291,708	3/1994	Johnson	.....	52/282.2
5,647,650	7/1997	Daugherty et al.	.....	312/265.1
5,651,596	7/1997	Carlson et al.	.....	312/334.46
5,673,983	10/1997	Carlson et al.	.....	312/218
5,716,116	2/1998	Carlson et al.	.....	312/280

### FOREIGN PATENT DOCUMENTS

1130359	8/1992	Canada	.
0 226 496	6/1987	European Pat. Off.	.
0 592 825	4/1994	European Pat. Off.	.
2531121	2/1984	France	.
1490768	6/1969	Germany	.
2436439	2/1976	Germany	.
3331173	3/1985	Germany	.
3405862	8/1985	Germany	.
2061092	5/1981	United Kingdom	.
2156206	10/1985	United Kingdom	.
WO 83/00804	3/1983	WIPO	.

*Primary Examiner*—Doris Clark

*Attorney, Agent, or Firm*—Fitzpatrick, Cella, Harper & Scinto

### [57] CLAIM

The ornamental design for a flanged support post interfacing with side panel insert, as shown and described.

### DESCRIPTION

FIG. 1 is a perspective view of a flanged support post interfacing with a side panel insert in accordance with the present invention;

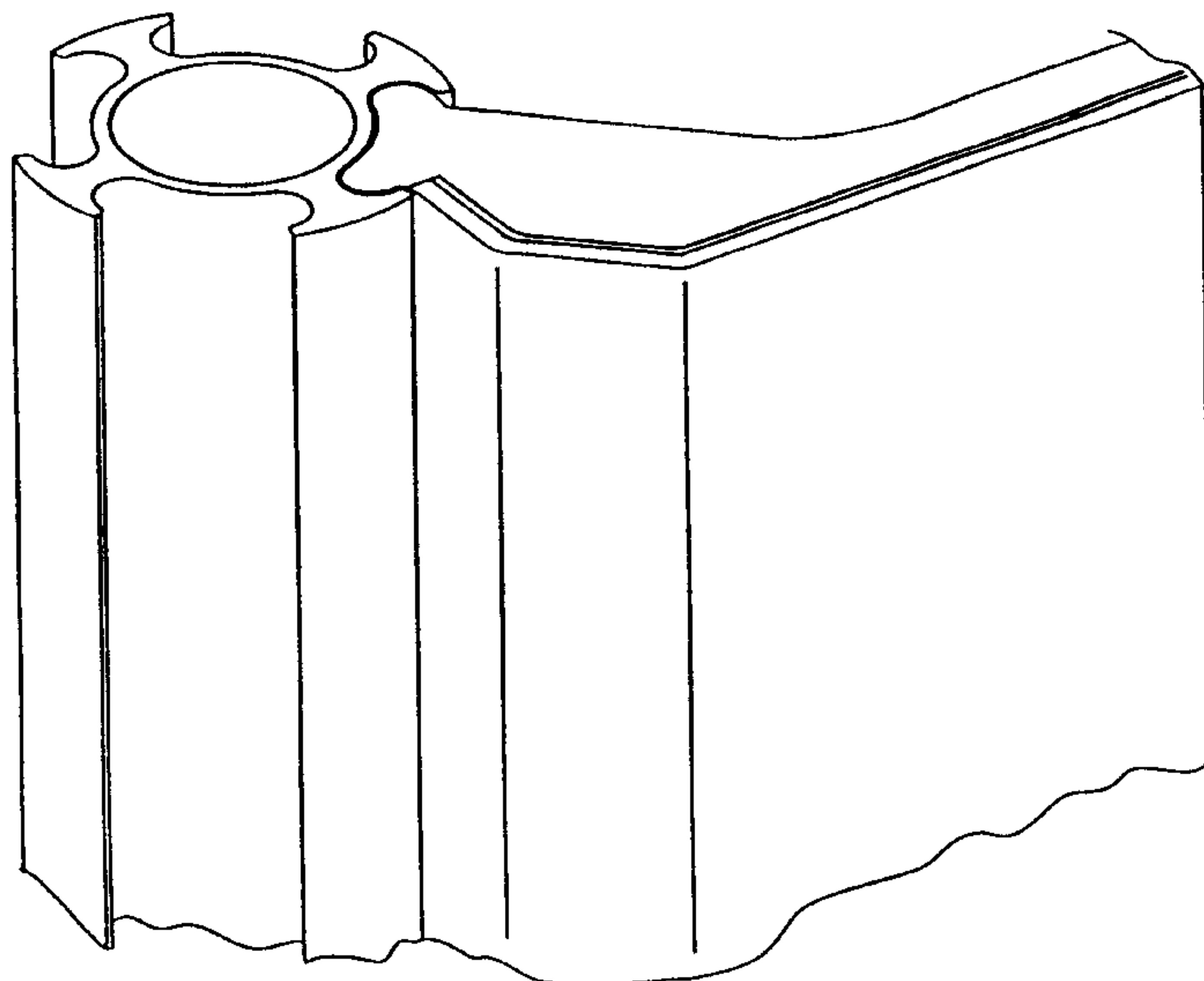
FIG. 2 is a top plan view of the flanged support post and side panel insert of FIG. 1, with the bottom plan view being a mirror image thereof;

FIG. 3 is a front elevational view of the flanged support post and side panel insert of FIG. 1;

FIG. 4 is a back elevational view of the flanged support post and side panel insert of FIG. 1; and,

FIG. 5 is a left side elevational view of the flanged support post and side panel insert of FIG. 1.

**1 Claim, 2 Drawing Sheets**



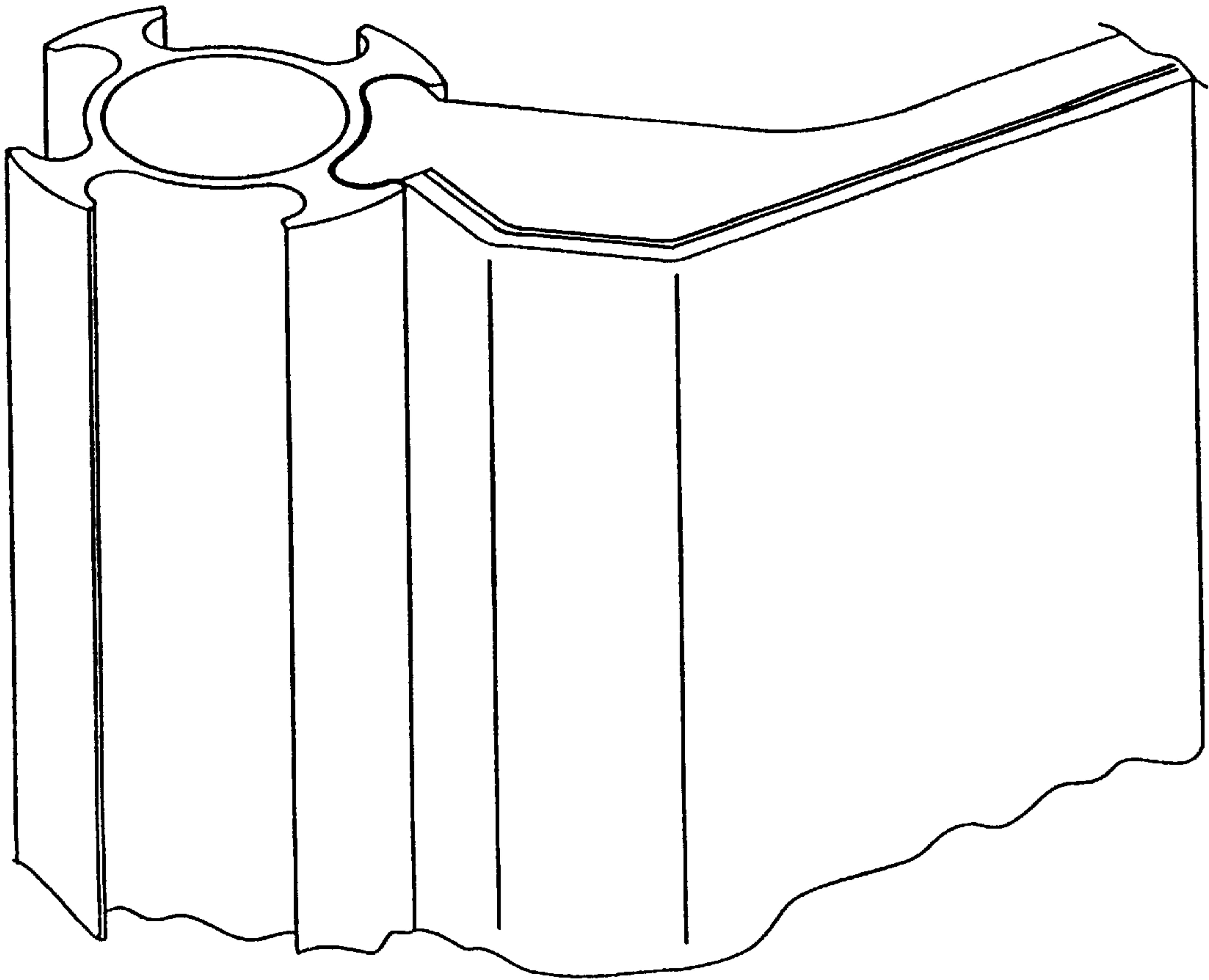


FIG. 1

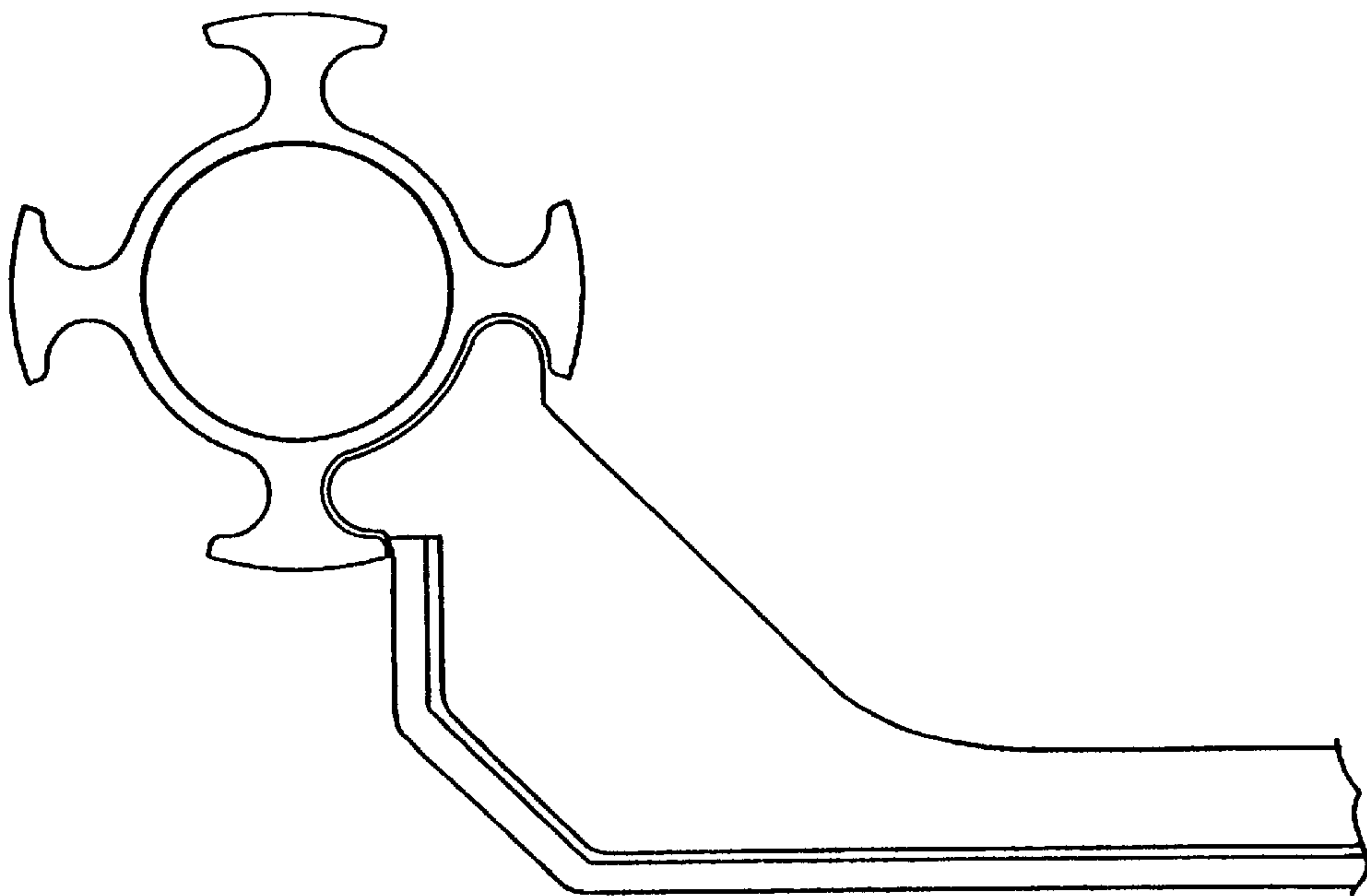


FIG. 2

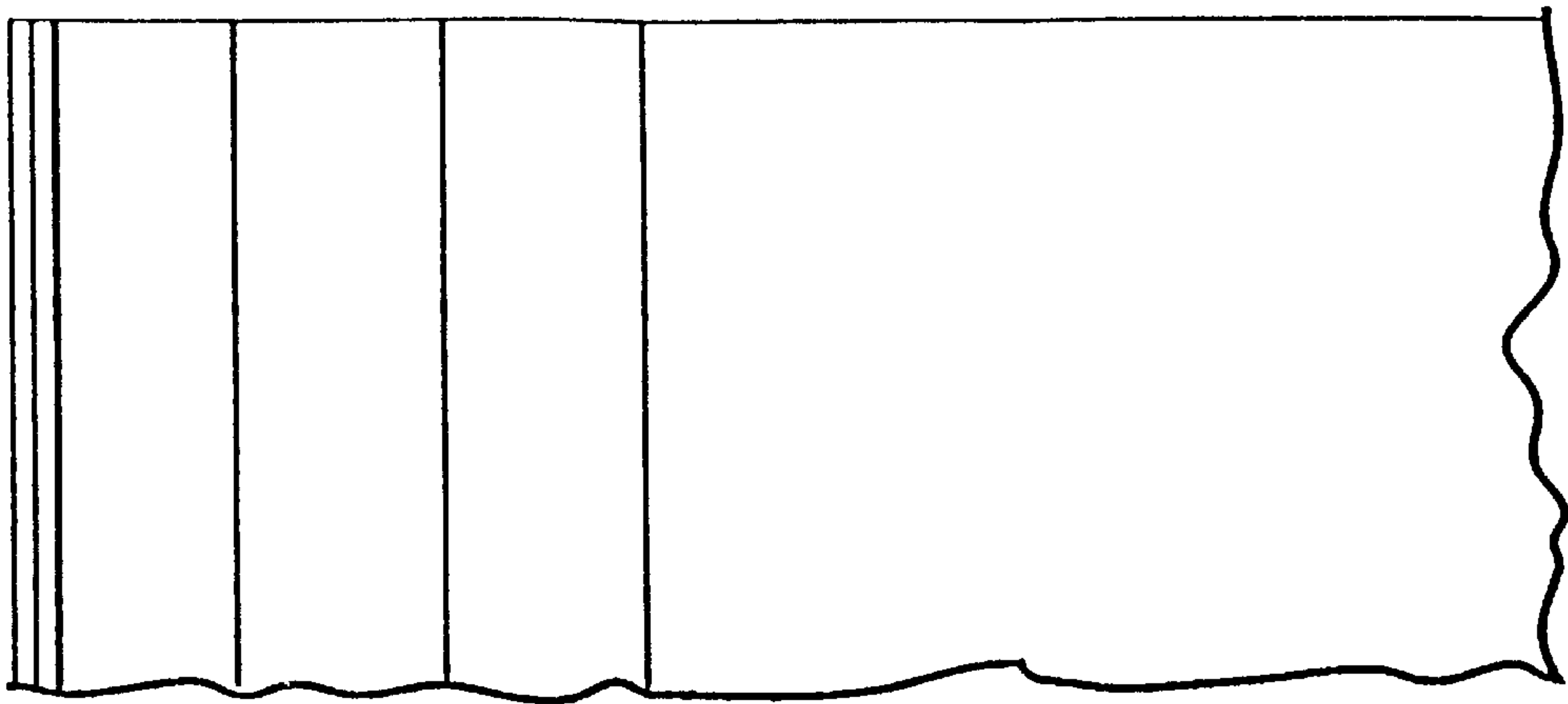


FIG. 3

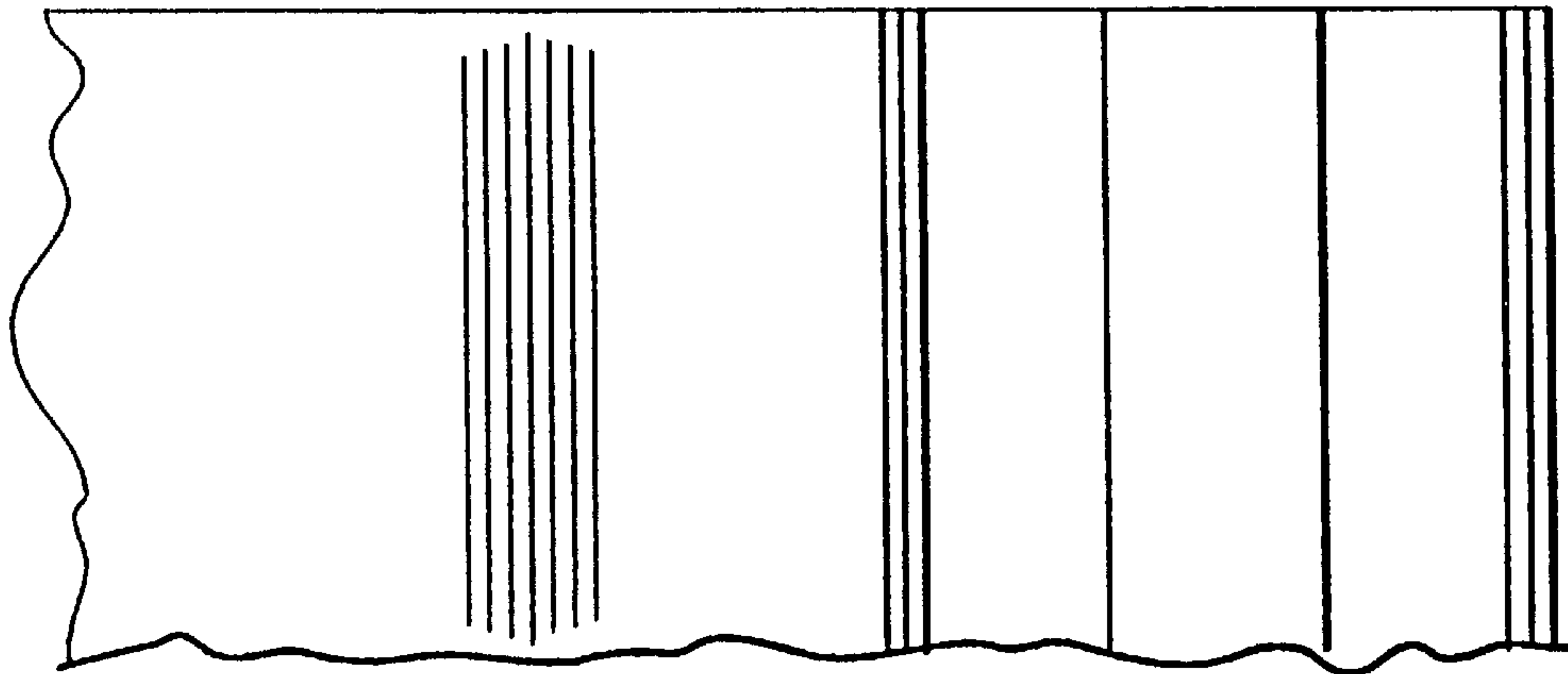


FIG. 4

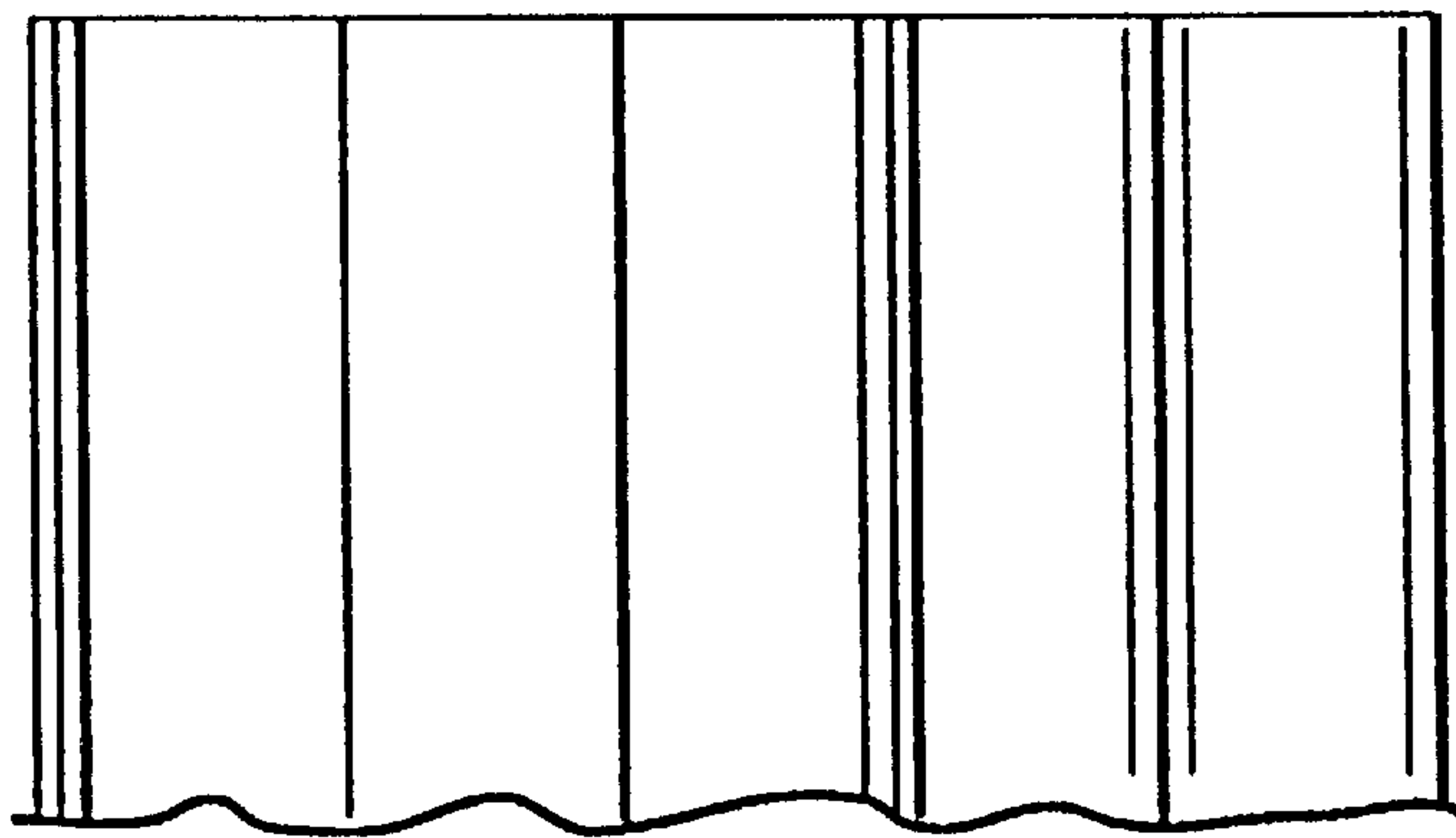


FIG. 5